



# GSS Professional

1400 A | 1400

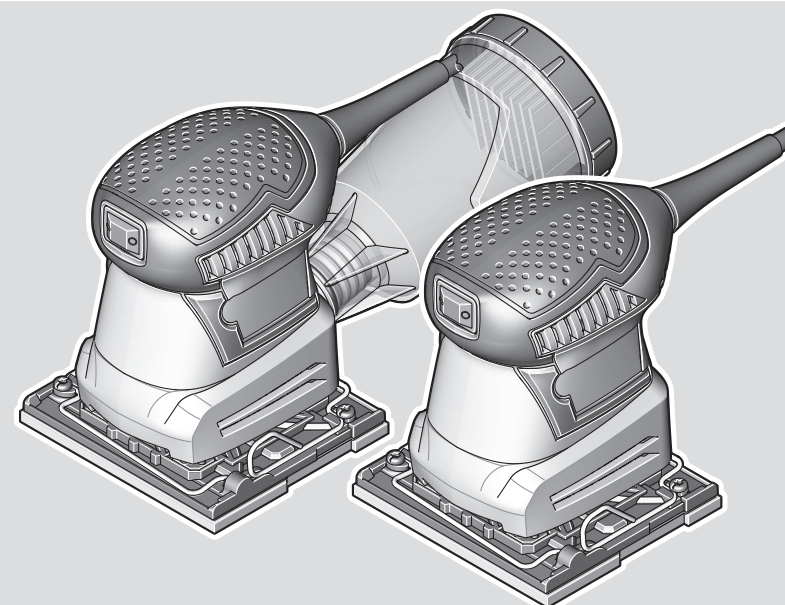
Robert Bosch Power Tools GmbH  
70538 Stuttgart  
GERMANY

[www.bosch-pt.com](http://www.bosch-pt.com)

1 609 92A 718 (2022.01) 0 / 53



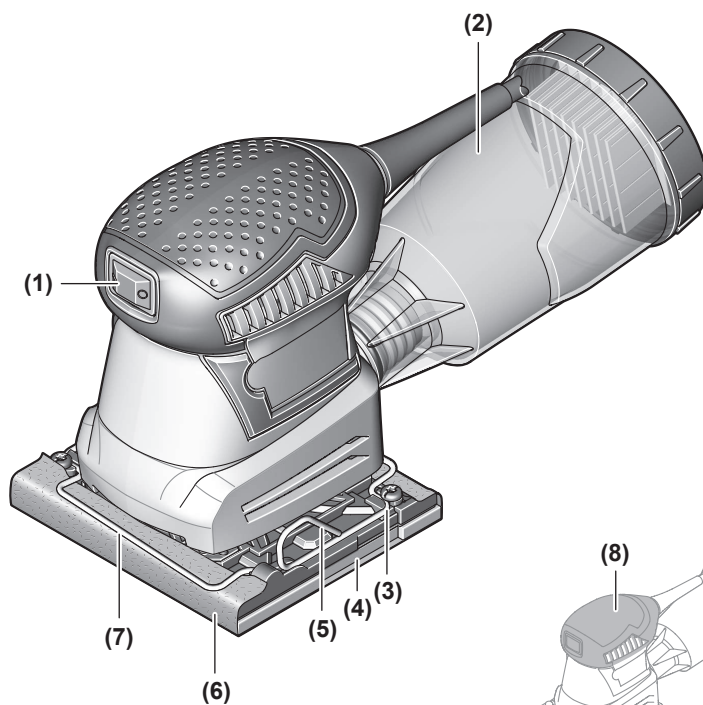
1 609 92A 718



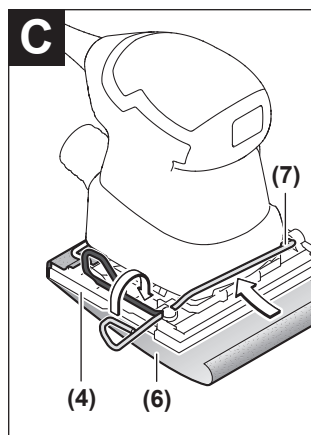
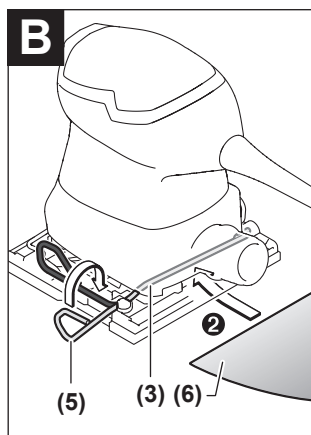
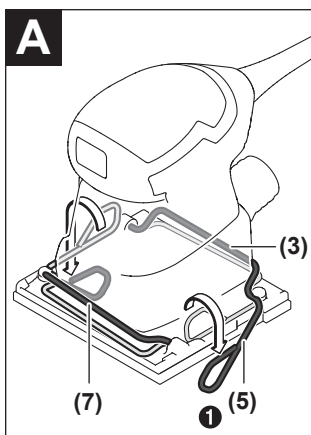
- en Original instructions
- fr Notice originale
- pt Manual original
- zh 正本使用说明书
- zh 原始使用說明書
- ko 사용 설명서 원본
- th หนังสือคู่มือการใช้งานฉบับต้นแบบ
- id Petunjuk-Petunjuk untuk Penggunaan Orisinal
- vi Bản gốc hướng dẫn sử dụng
- ar دليل التشغيل الأصلي
- fa دفترچه راهنمای اصلی

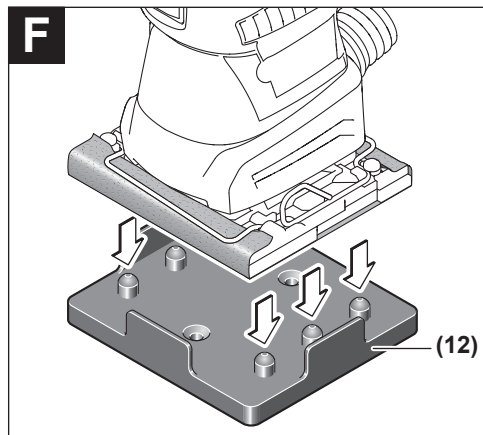
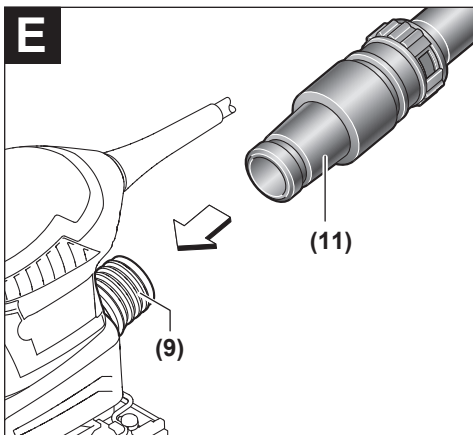
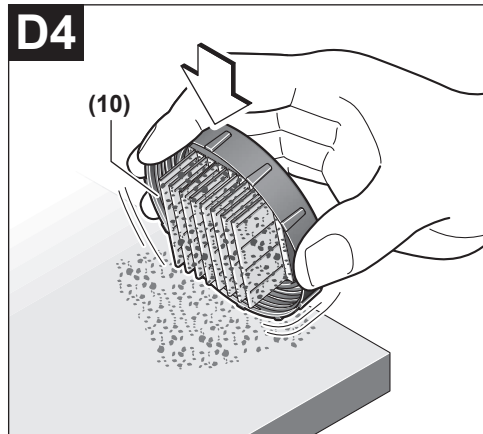
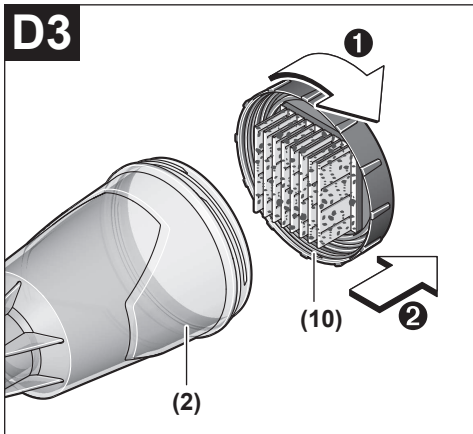
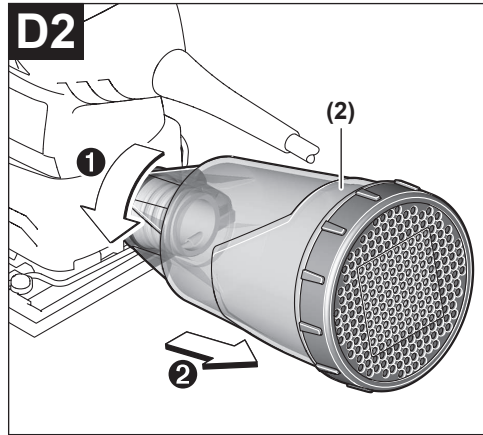
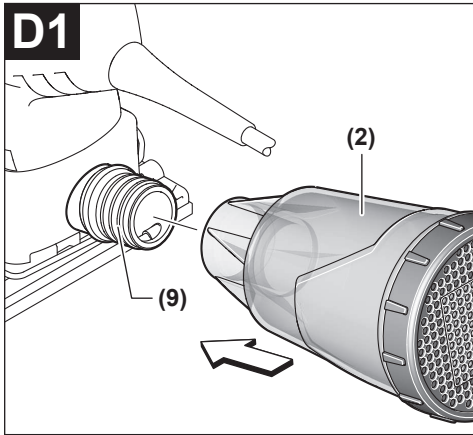


English .....	Page	5
Français .....	Page	9
Português .....	Página	13
中文 .....	頁	17
繁體中文 .....	頁	20
한국어 .....	페이지	24
ไทย .....	หน้า	28
Bahasa Indonesia .....	Halaman	33
Tiếng Việt .....	Trang	37
عربي .....	الصفحة	42
فارسی .....	صفحه	47



**GSS 1400 A**





# English

## Safety Instructions

### General Power Tool Safety Warnings

**⚠ WARNING** Read all safety warnings, instructions, illustrations and specifications provided with this power tool. Failure to follow all instructions listed below may result in electric shock, fire and/or serious injury.

**Save all warnings and instructions for future reference.**

The term "power tool" in the warnings refers to your mains-operated (corded) power tool or battery-operated (cordless) power tool.

#### Work area safety

- ▶ **Keep work area clean and well lit.** Cluttered or dark areas invite accidents.
- ▶ **Do not operate power tools in explosive atmospheres, such as in the presence of flammable liquids, gases or dust.** Power tools create sparks which may ignite the dust or fumes.
- ▶ **Keep children and bystanders away while operating a power tool.** Distractions can cause you to lose control.

#### Electrical safety

- ▶ **Power tool plugs must match the outlet. Never modify the plug in any way. Do not use any adapter plugs with earthed (grounded) power tools.** Unmodified plugs and matching outlets will reduce risk of electric shock.
- ▶ **Avoid body contact with earthed or grounded surfaces, such as pipes, radiators, ranges and refrigerators.** There is an increased risk of electric shock if your body is earthed or grounded.
- ▶ **Do not expose power tools to rain or wet conditions.** Water entering a power tool will increase the risk of electric shock.
- ▶ **Do not abuse the cord. Never use the cord for carrying, pulling or unplugging the power tool. Keep cord away from heat, oil, sharp edges or moving parts.** Damaged or entangled cords increase the risk of electric shock.
- ▶ **When operating a power tool outdoors, use an extension cord suitable for outdoor use.** Use of a cord suitable for outdoor use reduces the risk of electric shock.
- ▶ **If operating a power tool in a damp location is unavoidable, use a residual current device (RCD) protected supply.** Use of an RCD reduces the risk of electric shock.

#### Personal safety

- ▶ **Stay alert, watch what you are doing and use common sense when operating a power tool. Do not use a power tool while you are tired or under the influence of drugs, alcohol or medication.** A moment of inatten-

tion while operating power tools may result in serious personal injury.

- ▶ **Use personal protective equipment. Always wear eye protection.** Protective equipment such as a dust mask, non-skid safety shoes, hard hat or hearing protection used for appropriate conditions will reduce personal injuries.
- ▶ **Prevent unintentional starting. Ensure the switch is in the off-position before connecting to power source and/or battery pack, picking up or carrying the tool.** Carrying power tools with your finger on the switch or energising power tools that have the switch on invites accidents.
- ▶ **Remove any adjusting key or wrench before turning the power tool on.** A wrench or a key left attached to a rotating part of the power tool may result in personal injury.
- ▶ **Do not overreach. Keep proper footing and balance at all times.** This enables better control of the power tool in unexpected situations.
- ▶ **Dress properly. Do not wear loose clothing or jewellery. Keep your hair and clothing away from moving parts.** Loose clothes, jewellery or long hair can be caught in moving parts.
- ▶ **If devices are provided for the connection of dust extraction and collection facilities, ensure these are connected and properly used.** Use of dust collection can reduce dust-related hazards.
- ▶ **Do not let familiarity gained from frequent use of tools allow you to become complacent and ignore tool safety principles.** A careless action can cause severe injury within a fraction of a second.

#### Power tool use and care

- ▶ **Do not force the power tool. Use the correct power tool for your application.** The correct power tool will do the job better and safer at the rate for which it was designed.
- ▶ **Do not use the power tool if the switch does not turn it on and off.** Any power tool that cannot be controlled with the switch is dangerous and must be repaired.
- ▶ **Disconnect the plug from the power source and/or remove the battery pack, if detachable, from the power tool before making any adjustments, changing accessories, or storing power tools.** Such preventive safety measures reduce the risk of starting the power tool accidentally.
- ▶ **Store idle power tools out of the reach of children and do not allow persons unfamiliar with the power tool or these instructions to operate the power tool.** Power tools are dangerous in the hands of untrained users.
- ▶ **Maintain power tools and accessories. Check for misalignment or binding of moving parts, breakage of parts and any other condition that may affect the power tool's operation. If damaged, have the power tool repaired before use.** Many accidents are caused by poorly maintained power tools.

- ▶ **Keep cutting tools sharp and clean.** Properly maintained cutting tools with sharp cutting edges are less likely to bind and are easier to control.
- ▶ **Use the power tool, accessories and tool bits etc. in accordance with these instructions, taking into account the working conditions and the work to be performed.** Use of the power tool for operations different from those intended could result in a hazardous situation.
- ▶ **Keep handles and grasping surfaces dry, clean and free from oil and grease.** Slippery handles and grasping surfaces do not allow for safe handling and control of the tool in unexpected situations.

#### Service

- ▶ **Have your power tool serviced by a qualified repair person using only identical replacement parts.** This will ensure that the safety of the power tool is maintained.

#### Safety Warnings for Sander

- ▶ **Only use the power tool for dry sanding.** Water entering a power tool will increase the risk of electric shock.
- ▶ **Warning: Danger of fire! Avoid overheating the workpiece and the sander. Always empty the dust collector before taking a break from work.** Sanding dust in the dust bag, microfilter, paper bag (or in the filter bag or vacuum cleaner filter) can spontaneously combust under certain conditions, for example if flying sparks are created when sanding metals. This risk is increased if the sanding dust is mixed with paint or polyurethane residue or with other chemical substances and if the workpiece is hot as a result of prolonged work.
- ▶ **Clean the air vents on your power tool regularly.** The motor's fan will draw the dust inside the housing and excessive accumulation of powdered metal may cause electrical hazards.
- ▶ **Secure the workpiece.** A workpiece clamped with clamping devices or in a vice is held more secure than by hand.
- ▶ **Always wait until the power tool has come to a complete stop before placing it down.**

#### Products sold in GB only:

Your product is fitted with an BS 1363/A approved electric plug with internal fuse (ASTA approved to BS 1362).

#### Technical data

Orbital sander		GSS 1400	GSS 1400 A
Article number		<b>3 601 BA2 0..</b>	<b>3 601 BA2 1..</b>
Rated power input	W	180	180
No-load speed	min <sup>-1</sup>	12,000	12,000
No-load orbital stroke rate	min <sup>-1</sup>	24,000	24,000
Orbit diameter	mm	1.6	1.6
Sanding sheet dimensions			
– Hook-and-loop backing	mm	115 x 107	115 x 107

If the plug is not suitable for your socket outlets, it should be cut off and an appropriate plug fitted in its place by an authorised customer service agent. The replacement plug should have the same fuse rating as the original plug.

The severed plug must be disposed of to avoid a possible shock hazard and should never be inserted into a mains socket elsewhere.

## Product Description and Specifications



#### Read all the safety and general instructions.

Failure to observe the safety and general instructions may result in electric shock, fire and/or serious injury.

Please observe the illustrations at the beginning of this operating manual.

#### Intended Use

The power tool is intended for dry sanding of wood, plastic, metal, filler and varnished surfaces.

#### Product features

The numbering of the product features refers to the diagram of the power tool on the graphics page.

- (1) On/off switch
- (2) Complete dust box (Microfilter system) (GSS 1400 A)
- (3) Rear clamping bracket
- (4) Sanding plate
- (5) Sanding sheet clamps (2x)
- (6) Sanding sheet <sup>a)</sup>
- (7) Front clamping bracket
- (8) Handle (insulated gripping surface) (Softgrip only on GSS 1400 A)
- (9) Extraction outlet (GSS 1400 A)
- (10) Filter element (Microfilter System) (GSS 1400 A)
- (11) Dust extraction hose <sup>a)</sup>
- (12) Punch <sup>a)</sup>

a) **Accessories shown or described are not included with the product as standard. You can find the complete selection of accessories in our accessories range.**

Orbital sander		GSS 1400	GSS 1400 A
– Clamping tension	mm	115 x 140	115 x 140
Sanding plate dimensions	mm	110 x 100	110 x 100
Weight according to EPTA-Procedure 01:2014	kg	1.3	1.4
Protection class		□ / II	□ / II

The specifications apply to a rated voltage [U] of 230 V. These specifications may vary at different voltages and in country-specific models.

## Assembly

- **Pull the plug out of the socket before carrying out any work on the power tool.**

### Changing the sanding sheet

Remove dirt and dust from the sanding plate (4), e.g. with a brush, before attaching a new sanding sheet.

To ensure optimum dust extraction, make sure that the punched holes in the sanding sheet are aligned with the drilled holes in the sanding plate.

#### Sanding sheets without hook-and-loop backing (see figures A–C)

- 1 Unlock both sanding-sheet clamps (5) and swivel them downwards.
- 2 Insert the sanding sheet (6) under the rear clamping bracket (3). Ensure that the sanding sheet (6) is not too short and that it is correctly clamped. Swivel the sanding-sheet clamp (5) back into the starting position and lock it in place.
- 3 Position the sanding paper so that it fits tightly around the sanding plate (4). Clamp the front part of the sanding sheet under the front clamping bracket (7). Ensure that the sanding sheet (6) is not too short and that it is correctly clamped. Swivel the sanding-sheet clamp (5) back into the starting position and lock it in place.

Unperforated sanding sheets, e.g. from rolls or bulk stock sold by the metre, can be perforated using the punch (12) for the purpose of dust extraction. To do this, fit the sanding sheet on the power tool and push the tool down onto the punch (see figure F).

To remove the sanding sheet (6), unlock both sanding-sheet clamps (5) and pull the sanding sheet out of its bracket.

#### Sanding sheets with hook-and-loop backing

If the sanding plate (4) is fitted with a hook-and-loop fastening, sanding sheets with a hook-and-loop backing can be secured quickly and easily.

Tap the hook-and-loop fastening of the sanding plate (4) before fitting the sanding sheet (6) to facilitate maximum adhesion.

Position the sanding sheet (6) so that it is flush with one side of the sanding plate (4), then place the sanding sheet on the sanding plate and press it on firmly.

To remove the sanding sheet (6), take hold of it by an edge and pull it away from the sanding plate (4).

### Selecting a sanding sheet

Different sanding sheets are available, depending on the material you are working with and the required surface removal rate:

	Grit	
<b>red:Wood</b>		<b>40–240</b>
<b>For processing all wood and wood-based materials</b>		
For pre-sanding, e.g. of rough and uneven beams and boards	Coarse	40, 60
For surface sanding and levelling of slight irregularities	Medium	80, 120
For finish-sanding and fine sanding of hardwoods	Fine	180, 240
<b>white:Paint</b>		<b>40–240</b>
<b>For processing paint and lacquer layers or primers such as fillers and bodyfillers</b>		
For sanding down paint	Coarse	40, 60
For sanding undercoats	Medium	80, 120
For final sanding of primers prior to painting	Fine	180, 240

### Dust/Chip Extraction

The dust from materials such as lead paint, some types of wood, minerals and metal can be harmful to human health. Touching or breathing in this dust can trigger allergic reactions and/or cause respiratory illnesses in the user or in people in the near vicinity.

Certain dusts, such as oak or beech dust, are classified as carcinogenic, especially in conjunction with wood treatment additives (chromate, wood preservative). Materials containing asbestos may only be machined by specialists.

- Use a dust extraction system that is suitable for the material wherever possible.
  - Provide good ventilation at the workplace.
  - It is advisable to wear a P2 filter class breathing mask.
- The regulations on the material being machined that apply in the country of use must be observed.

- **Avoid dust accumulation at the workplace.** Dust can easily ignite.

#### Self-generated dust extraction with dust box (see figures D1–D4) (GSS 1400 A)

Slide the dust box (2) onto the extraction outlet (9).



You can easily check the filling level of the dust box **(2)** through the transparent container.

To empty the dust box **(2)**, rotate slightly and pull it back.

Unscrew the filter element **(10)** from the dust box **(2)**.

Empty the dust box.

Gently tap the filter element **(10)** against a solid surface to loosen the dust. Use a soft brush to clean the flaps of the filter element **(10)**.

**Note:** In order to ensure optimum dust extraction, empty the dust box **(2)** in good time and clean the filter element **(10)** regularly.

When working on vertical surfaces, hold the power tool with the dust box **(2)** facing downwards.

#### External dust extraction (see figure E) (GSS 1400 A)

Attach the dust extraction hose **(11)** (accessory) to the extraction outlet **(9)**. Connect the dust extraction hose **(11)** to a dust extractor (accessory).

The dust extractor must be suitable for the material being worked.

When extracting dry dust that is especially detrimental to health or carcinogenic, use a special dust extractor.

When working on vertical surfaces, hold the power tool with the dust extraction hose facing downwards.

## Operation

### Starting Operation

► **Pay attention to the mains voltage. The voltage of the power source must match the voltage specified on the rating plate of the power tool. Power tools marked with 230 V can also be operated with 220 V.**

► **Products that are only sold in AUS and NZ:** Use a residual current device (RCD) with a nominal residual current of 30 mA or less.

### Switching On/Off

► **Make sure that you are able to press the On/Off switch without releasing the handle.**

To **switch on** the power tool, tilt the on/off switch **(1)** toward the right to the “**I**” position.

To **switch off** the power tool, tilt the on/off switch **(1)** toward the left to the “**O**” position.

### Practical advice

► **Always wait until the power tool has come to a complete stop before placing it down.**

The material removal rate when sanding is primarily determined by the choice of sanding sheet.

Only immaculate sanding sheets achieve good sanding performance and make the power tool last longer.

Be sure to apply consistent contact pressure in order to increase the lifetime of the sanding sheets.

Excessively increasing the contact pressure will not lead to increased sanding performance, rather it will cause more severe wear of the power tool and of the sanding sheet.

Do not use a sanding sheet for other materials after it has been used to work on metal.

Use only original **Bosch**-sanding accessories.

## Maintenance and Service

### Maintenance and Cleaning

► **Pull the plug out of the socket before carrying out any work on the power tool.**

► **To ensure safe and efficient operation, always keep the power tool and the ventilation slots clean.**

In order to avoid safety hazards, if the power supply cord needs to be replaced, this must be done by **Bosch** or by an after-sales service centre that is authorised to repair **Bosch** power tools.

### After-Sales Service and Application Service

Our after-sales service responds to your questions concerning maintenance and repair of your product as well as spare parts. You can find explosion drawings and information on spare parts at: [www.bosch-pt.com](http://www.bosch-pt.com)

The Bosch product use advice team will be happy to help you with any questions about our products and their accessories.

In all correspondence and spare parts orders, please always include the 10-digit article number given on the nameplate of the product.

### Malaysia

Robert Bosch Sdn. Bhd. (220975-V) PT/SMY

No. 8A, Jalan 13/6

46200 Petaling Jaya

Selangor

Tel.: (03) 79663194

Toll-Free: 1800 880188

Fax: (03) 79583838

E-Mail: [kiathoe.chong@my.bosch.com](mailto:kiathoe.chong@my.bosch.com)

[www.bosch-pt.com.my](http://www.bosch-pt.com.my)

### You can find further service addresses at:

[www.bosch-pt.com/serviceaddresses](http://www.bosch-pt.com/serviceaddresses)

### Disposal

The power tool, accessories and packaging should be recycled in an environmentally friendly manner.

Do not dispose of power tools along with household waste.





## Français

### Consignes de sécurité

#### Avertissements de sécurité généraux pour l'outil électrique

##### **AVERTISSEMENT** Lire tous les avertissements de sécurité, les instructions, les illustrations et les spécifications fournies avec cet outil électrique.

Ne pas suivre les instructions énumérées ci-dessous peut provoquer un choc électrique, un incendie et/ou une blessure sérieuse.

##### Conservé tous les avertissements et toutes les instructions pour pouvoir s'y reporter ultérieurement.

Le terme "outil électrique" dans les avertissements fait référence à votre outil électrique alimenté par le secteur (avec cordon d'alimentation) ou votre outil électrique fonctionnant sur batterie (sans cordon d'alimentation).

#### Sécurité de la zone de travail

- ▶ **Conservé la zone de travail propre et bien éclairée.**  
Les zones en désordre ou sombres sont propices aux accidents.
- ▶ **Ne pas faire fonctionner les outils électriques en atmosphère explosive, par exemple en présence de liquides inflammables, de gaz ou de poussières.** Les outils électriques produisent des étincelles qui peuvent enflammer les poussières ou les fumées.
- ▶ **Maintenir les enfants et les personnes présentes à l'écart pendant l'utilisation de l'outil électrique.** Les distractions peuvent vous faire perdre le contrôle de l'outil.

#### Sécurité électrique

- ▶ **Il faut que les fiches de l'outil électrique soient adaptées au socle. Ne jamais modifier la fiche de quelque façon que ce soit. Ne pas utiliser d'adaptateurs avec des outils électriques à branchement de terre.** Des fiches non modifiées et des socles adaptés réduisent le risque de choc électrique.
- ▶ **Éviter tout contact du corps avec des surfaces reliées à la terre telles que les tuyaux, les radiateurs, les cuisinières et les réfrigérateurs.** Il existe un risque accru de choc électrique si votre corps est relié à la terre.
- ▶ **Ne pas exposer les outils électriques à la pluie ou à des conditions humides.** La pénétration d'eau à l'intérieur d'un outil électrique augmente le risque de choc électrique.
- ▶ **Ne pas maltraiter le cordon. Ne jamais utiliser le cordon pour porter, tirer ou débrancher l'outil électrique. Maintenir le cordon à l'écart de la chaleur, du lubrifiant, des arêtes vives ou des parties en mouvement.** Des cordons endommagés ou emmêlés augmentent le risque de choc électrique.
- ▶ **Lorsqu'on utilise un outil électrique à l'extérieur, utiliser un prolongateur adapté à l'utilisation extérieure.**

L'utilisation d'un cordon adapté à l'utilisation extérieure réduit le risque de choc électrique.

- ▶ **Si l'usage d'un outil électrique dans un emplacement humide est inévitable, utiliser une alimentation protégée par un dispositif à courant différentiel résiduel (RCD).** L'usage d'un RCD réduit le risque de choc électrique.

#### Sécurité des personnes

- ▶ **Rester vigilant, regarder ce que vous êtes en train de faire et faire preuve de bon sens dans votre utilisation de l'outil électrique. Ne pas utiliser un outil électrique lorsque vous êtes fatigué ou sous l'emprise de drogues, de l'alcool ou de médicaments.** Un moment d'inattention en cours d'utilisation d'un outil électrique peut entraîner des blessures graves.
- ▶ **Utiliser un équipement de protection individuelle. Toujours porter une protection pour les yeux.** Les équipements de protection individuelle tels que les masques contre les poussières, les chaussures de sécurité antidérapantes, les casques ou les protections auditives utilisés pour les conditions appropriées réduisent les blessures.
- ▶ **Éviter tout démarrage intempestif. S'assurer que l'interrupteur est en position arrêt avant de brancher l'outil au secteur et/ou au bloc de batteries, de le ramasser ou de le porter.** Porter les outils électriques en ayant le doigt sur l'interrupteur ou brancher des outils électriques dont l'interrupteur est en position marche est source d'accidents.
- ▶ **Retirer toute clé de réglage avant de mettre l'outil électrique en marche.** Une clé laissée fixée sur une partie tournante de l'outil électrique peut donner lieu à des blessures.
- ▶ **Ne pas se précipiter. Garder une position et un équilibre adaptés à tout moment.** Cela permet un meilleur contrôle de l'outil électrique dans des situations inattendues.
- ▶ **S'habiller de manière adaptée. Ne pas porter de vêtements amples ou de bijoux. Garder les cheveux et les vêtements à distance des parties en mouvement.** Des vêtements amples, des bijoux ou les cheveux longs peuvent être pris dans des parties en mouvement.
- ▶ **Si des dispositifs sont fournis pour le raccordement d'équipements pour l'extraction et la récupération des poussières, s'assurer qu'ils sont connectés et correctement utilisés.** Utiliser des collecteurs de poussière peut réduire les risques dus aux poussières.
- ▶ **Rester vigilant et ne pas négliger les principes de sécurité de l'outil sous prétexte que vous avez l'habitude de l'utiliser.** Une fraction de seconde d'inattention peut provoquer une blessure grave.

#### Utilisation et entretien de l'outil électrique

- ▶ **Ne pas forcer l'outil électrique. Utiliser l'outil électrique adapté à votre application.** L'outil électrique adapté réalise mieux le travail et de manière plus sûre au régime pour lequel il a été construit.

- ▶ **Ne pas utiliser l'outil électrique si l'interrupteur ne permet pas de passer de l'état de marche à arrêt et inversement.** Tout outil électrique qui ne peut pas être commandé par l'interrupteur est dangereux et il faut le réparer.
- ▶ **Débrancher la fiche de la source d'alimentation et/ou enlever le bloc de batteries, s'il est amovible, avant tout réglage, changement d'accessoires ou avant de ranger l'outil électrique.** De telles mesures de sécurité préventives réduisent le risque de démarrage accidentel de l'outil électrique.
- ▶ **Conserver les outils électriques à l'arrêt hors de la portée des enfants et ne pas permettre à des personnes ne connaissant pas l'outil électrique ou les présentes instructions de le faire fonctionner.** Les outils électriques sont dangereux entre les mains d'utilisateurs novices.
- ▶ **Observer la maintenance des outils électriques et des accessoires. Vérifier qu'il n'y a pas de mauvais alignement ou de blocage des parties mobiles, des pièces cassées ou toute autre condition pouvant affecter le fonctionnement de l'outil électrique. En cas de dommages, faire réparer l'outil électrique avant de l'utiliser.** De nombreux accidents sont dus à des outils électriques mal entretenus.
- ▶ **Garder affûtés et propres les outils permettant de couper.** Des outils destinés à couper correctement entretenus avec des pièces coupantes tranchantes sont moins susceptibles de bloquer et sont plus faciles à contrôler.
- ▶ **Utiliser l'outil électrique, les accessoires et les lames etc., conformément à ces instructions, en tenant compte des conditions de travail et du travail à réaliser.** L'utilisation de l'outil électrique pour des opérations différentes de celles prévues peut donner lieu à des situations dangereuses.
- ▶ **Il faut que les poignées et les surfaces de préhension restent sèches, propres et dépourvues d'huiles et de graisses.** Des poignées et des surfaces de préhension glissantes rendent impossibles la manipulation et le contrôle en toute sécurité de l'outil dans les situations inattendues.

#### Maintenance et entretien

- ▶ **Faire entretenir l'outil électrique par un réparateur qualifié utilisant uniquement des pièces de rechange identiques.** Cela assure le maintien de la sécurité de l'outil électrique.

#### Instructions de sécurité pour meuleuses

- ▶ **N'utilisez l'outil électroportatif que pour effectuer des ponçages à sec.** La pénétration d'eau à l'intérieur d'un outil électroportatif augmente le risque de choc électrique.
- ▶ **Attention risque d'incendie ! Évitez tout échauffement du matériau poncé et de la ponceuse. Videz toujours le bac à poussière avant de faire une pause de travail.**

Les particules de poussière se trouvant dans le sac à poussières, le microfiltre, le sac en papier (ou dans le sac à poussières en tissu ou le filtre de l'aspirateur) peuvent s'enflammer d'elles-mêmes dans des conditions défavorables, par exemple en cas de projection d'étincelles lors du ponçage de pièces en métal. Ceci notamment lorsque des particules de poussières sont mélangées à des résidus de vernis, de polyuréthane ou d'autres substances chimiques et que les matériaux travaillés sont très chauds après avoir été travaillés pendant une période assez longue.

- ▶ **Nettoyez régulièrement les ouïes d'aération de l'outil électroportatif.** Le ventilateur du moteur attire la poussière à l'intérieur du carter et une accumulation excessive de poussière de métal accroît le risque de choc électrique.
- ▶ **Bloquez la pièce à travailler.** Une pièce à travailler serrée par des dispositifs de serrage appropriés ou dans un étau est fixée de manière plus sûre que quand elle est tenue avec une main.
- ▶ **Avant de poser l'outil électroportatif, attendez que celui-ci soit complètement à l'arrêt.**

## Description des prestations et du produit



**Lisez attentivement toutes les instructions et consignes de sécurité.** Le non-respect des instructions et consignes de sécurité peut provoquer un choc électrique, un incendie et/ou entraîner de graves blessures.

Référez-vous aux illustrations qui se trouvent à l'avant de la notice d'utilisation.

#### Utilisation conforme

L'outil électroportatif est conçu pour le ponçage à sec de surfaces en bois, matières plastiques, métal, mastic et surfaces vernies.

#### Éléments constitutifs

La numérotation des éléments de l'appareil se réfère à la représentation de l'outil électroportatif sur la page graphique.

- (1) Interrupteur Marche/Arrêt
- (2) Boîtier collecteur (système microfiltre) (GSS 1400 A)
- (3) Barrette de serrage arrière
- (4) Plateau de ponçage
- (5) Étrier de serrage (2x)
- (6) Feuille abrasive<sup>a)</sup>
- (7) Barrette de serrage avant
- (8) Poignée (surface de préhension isolée) (softgrip seulement pour GSS 1400 A)
- (9) Tubulure de sortie d'air (GSS 1400 A)
- (10) Élément filtrant (système microfiltre) (GSS 1400 A)

(11) Flexible d'aspiration<sup>a)</sup>(12) Outil de perforation<sup>a)</sup>

a) Les accessoires décrits ou illustrés ne sont pas tous compris dans la fourniture. Vous trouverez les accessoires complets dans notre gamme d'accessoires.

## Caractéristiques techniques

Ponceuse vibrante		GSS 1400	GSS 1400 A
Référence		<b>3 601 BA2 0..</b>	<b>3 601 BA2 1..</b>
Puissance absorbée nominale	W	180	180
Régime à vide	tr/min	12 000	12 000
Fréquence d'oscillation à vide	min <sup>-1</sup>	24 000	24 000
Diamètre d'amplitude	mm	1,6	1,6
Dimensions feuille abrasive			
– Auto-agrippante	mm	115 x 107	115 x 107
– Fixation par étrier	mm	115 x 140	115 x 140
Dimensions du plateau de ponçage			
	mm	110 x 100	110 x 100
Poids selon EPTA-Procédure 01:2014	kg	1,3	1,4
Indice de protection		□ / II	□ / II

Les données indiquées sont valables pour une tension nominale [U] de 230 V. Elles peuvent varier lorsque la tension diffère de cette valeur et sur certaines versions destinées à certains pays.

## Montage

► **Débranchez le câble d'alimentation de la prise avant d'effectuer des travaux quels qu'il soient sur l'outil électroportatif.**

### Changement de disque abrasif

Avant de monter une nouvelle feuille abrasive, enlevez les poussières et saletés qui se trouvent sur le plateau de ponçage (4) avec par ex. un pinceau.

Afin de garantir une bonne aspiration des poussières, assurez-vous que les perforations de la feuille abrasive et du plateau de ponçage coïncident.

**Feuilles abrasives sans revêtement auto-agrippant (voir figures A–C)**

- 1 Débloquez les deux étriers de serrage (5) et basculez-les vers le bas.
- 2 Introduisez la feuille abrasive (6) sous la barrette de serrage arrière (3). Veillez à ce que la feuille abrasive (6) ne soit pas trop courte et à ce qu'elle soit correctement serrée. Ramenez l'étrier de serrage (5) dans sa position de départ et verrouillez-le.
- 3 Placez la feuille abrasive autour du plateau de ponçage (4) en veillant à ce qu'elle soit bien tendue. Fixez et bloquez la partie avant de la feuille abrasive sous la barrette de serrage avant (7). Veillez à ce que la feuille abrasive (6) ne soit pas trop courte et à ce qu'elle soit correctement serrée. Ramenez l'étrier de serrage (5) dans sa position de départ et verrouillez-le.

Les feuilles abrasives non perforées (par ex. vendues au mètre ou sur rouleaux) peuvent être perforées à l'aide de l'outil de perforation (12) pour permettre l'aspiration des

poussières. Plaquez pour cela l'outil électroportatif muni de la feuille abrasive contre l'outil de perforation (voir figure F). Pour retirer la feuille abrasive (6), débloquez les deux étriers de serrage (5) et dégagez la feuille abrasive.

### Feuilles abrasives auto-agrippantes

Si le plateau de ponçage (4) est équipé d'un revêtement auto-agrippant, il est possible d'utiliser des feuilles abrasives avec système auto-agrippant. Celles-ci peuvent être fixées rapidement et facilement.

Tapotez légèrement sur le revêtement auto-agrippant du plateau de ponçage (4) avant de monter la feuille abrasive (6) afin d'obtenir une adhérence optimale.

Pour fixer la feuille abrasive (6), faites coïncider un de ses bords avec un bord du plateau de ponçage (4) et plaquez ensuite la feuille abrasive contre le plateau en appuyant fermement.

Pour retirer la feuille abrasive (6), saisissez-la au niveau de l'un des coins et détachez-la du plateau de ponçage (4).

### Choix de la feuille abrasive

Les feuilles abrasives doivent être choisies en fonction du matériau à poncer et de l'enlèvement de matière souhaité :

	Grain
<b>red:Wood</b>	<b>40 – 240</b>
<b>Pour poncer tous les bois et dérivés</b>	
Pour le préponçage, p. ex. de poutres et de planches rugueuses, non rabotées	gros 40, 60
Pour le ponçage plan et la correction d'inégalités et aspérités de surface	moyen 80, 120

	Grain	
Pour le ponçage fin et de finition de bois durs	fin	180, 240
<b>white:Paint</b>		<b>40 - 240</b>
<b>Pour enlever des couches de peinture/verniss ou pour poncer des apprêts d'adhérence ou garnissants et du mastic</b>		
Pour retirer des couches de peinture	gros	40, 60
Pour le ponçage de couches de primaire	moyen	80, 120
Pour le ponçage finition d'apprêts avant laquage	fin	180, 240

### Aspiration des poussières/de copeaux

Les poussières de matériaux tels que peintures contenant du plomb, certains bois, minéraux ou métaux, peuvent être nuisibles à la santé. Le contact avec les poussières ou leur inhalation peut entraîner des réactions allergiques et/ou des maladies respiratoires auprès de l'utilisateur ou des personnes se trouvant à proximité.

Certaines poussières telles que les poussières de chêne ou de hêtre sont considérées comme cancérigènes, surtout en association avec des additifs pour le traitement du bois (chromate, lasure). Les matériaux contenant de l'amiante ne doivent être travaillés que par des personnes qualifiées.

- Si possible, utilisez un dispositif d'aspiration des poussières approprié au matériau.
- Veillez à bien aérer la zone de travail.
- Il est recommandé de porter un masque respiratoire avec un niveau de filtration de classe P2.

Respectez les règlements spécifiques aux matériaux à traiter en vigueur dans votre pays.

- ▶ **Évitez toute accumulation de poussières sur le lieu de travail.** Les poussières peuvent facilement s'enflammer.

### Aspiration des poussières avec boîtier microfiltre (voir figures D1–D4) (GSS 1400 A)

Emboîtez le boîtier microfiltre (2) sur la tubulure de sortie d'air (9).

Le plastique transparent permet de contrôler facilement le niveau de remplissage du boîtier microfiltre (2).

Pour vider le boîtier microfiltre (2), tirez-le vers l'arrière avec un léger mouvement de rotation.

Dévissez l'élément filtrant (10) du boîtier microfiltre (2). Videz le boîtier microfiltre.

Tapotez légèrement l'élément filtrant (10) sur une surface solide pour faire tomber la poussière. Nettoyez les lamelles de l'élément filtrant (10) à l'aide d'une brosse douce.

**Remarque :** Pour obtenir une aspiration optimale des poussières, videz le boîtier microfiltre (2) à temps et nettoyez régulièrement l'élément filtrant (10).

Lors de ponçages de surfaces verticales, tenez l'outil électroportatif de sorte que le boîtier microfiltre (2) se trouve en bas.

### Aspiration des poussières au moyen d'un aspirateur (voir figure E) (GSS 1400 A)

Raccordez le flexible d'aspiration (11) (accessoire) à la tubulure de sortie d'air (9). Raccordez l'autre extrémité du flexible d'aspiration (11) à un aspirateur (accessoire).

L'aspirateur doit être conçu pour le type de matériau à poncer.

Pour l'aspiration de poussières particulièrement nuisibles à la santé, cancérigènes ou sèches, utilisez un aspirateur spécial.

Lors d'une utilisation sur des surfaces verticales, tenez l'outil électroportatif de sorte que le tuyau d'aspiration soit dirigé vers le bas.

## Utilisation

### Mise en marche

- ▶ **Tenez compte de la tension du réseau ! La tension de la source de courant doit correspondre aux indications se trouvant sur la plaque signalétique de l'outil électroportatif. Les outils électroportatifs marqués 230 V peuvent également fonctionner sur 220 V.**

### Mise en marche/arrêt

- ▶ **Assurez-vous de pouvoir actionner l'interrupteur Marche/Arrêt sans avoir à relâcher la poignée.**

Pour **mettre en marche** l'outil électroportatif, basculez l'interrupteur Marche/Arrêt (1) vers la droite dans la position « I ».

Pour **arrêter** l'outil électroportatif, basculez l'interrupteur Marche/Arrêt (1) vers la gauche dans la position « O ».

### Instructions d'utilisation

- ▶ **Avant de poser l'outil électroportatif, attendez que celui-ci soit complètement à l'arrêt.**

L'enlèvement de matière dépend essentiellement du choix de la feuille abrasive.

Seuls des disques abrasifs en parfait état assurent de bons résultats et ménagent l'outil électroportatif.

Veillez à toujours exercer une pression régulière, afin d'augmenter la durée de vie des disques abrasifs.

Une pression trop élevée n'améliore pas les performances de ponçage mais augmente considérablement l'usure de l'outil électroportatif et du disque abrasif.

Un disque abrasif utilisé pour poncer du métal ne doit ensuite pas être utilisé pour poncer d'autres matériaux.

N'utilisez que des accessoires de ponçage **Bosch** d'origine.

## Entretien et Service après-vente

### Nettoyage et entretien

- ▶ **Débranchez le câble d'alimentation de la prise avant d'effectuer des travaux quels qu'il soient sur l'outil électroportatif.**

► **Tenez toujours propres l'outil électroportatif ainsi que les fentes de ventilation afin d'obtenir un travail impeccable et sûr.**

Dans le cas où il s'avère nécessaire de remplacer le câble d'alimentation, confiez le remplacement à **Bosch** ou une station de Service Après-Vente agréée pour outillage **Bosch** afin de ne pas compromettre la sécurité.

### Service après-vente et conseil utilisateurs

Notre Service après-vente répond à vos questions concernant la réparation et l'entretien de votre produit et les pièces de rechange. Vous trouverez des vues éclatées et des informations sur les pièces de rechange sur le site :

[www.bosch-pt.com](http://www.bosch-pt.com)

L'équipe de conseil utilisateurs Bosch se tient à votre disposition pour répondre à vos questions concernant nos produits et leurs accessoires.

Pour toute demande de renseignement ou toute commande de pièces de rechange, précisez impérativement la référence à 10 chiffres figurant sur l'étiquette signalétique du produit.

#### Maroc

Robert Bosch Morocco SARL  
53, Rue Lieutenant Mahroud Mohamed  
20300 Casablanca  
Tel.: +212 5 29 31 43 27  
E-Mail : sav.outillage@ma.bosch.com

#### Vous trouverez d'autres adresses du service après-vente sous :

[www.bosch-pt.com/serviceaddresses](http://www.bosch-pt.com/serviceaddresses)

### Élimination des déchets

Les outils électroportatifs, ainsi que leurs accessoires et emballages, doivent pouvoir suivre chacun une voie de recyclage appropriée.



Ne jetez pas les outils électroportatifs avec les ordures ménagères !

### Guarde bem todas as advertências e instruções para futura referência.

O termo "ferramenta eléctrica" utilizado a seguir nas indicações de advertência, refere-se a ferramentas eléctricas operadas com corrente de rede (com cabo de rede) e a ferramentas eléctricas operadas com acumulador (sem cabo de rede).

#### Segurança da área de trabalho

- **Mantenha a sua área de trabalho sempre limpa e bem iluminada.** Desordem ou áreas de trabalho insuficientemente iluminadas podem levar a acidentes.
- **Não trabalhar com a ferramenta eléctrica em áreas com risco de explosão, nas quais se encontrem líquidos, gases ou pós inflamáveis.** Ferramentas eléctricas produzem faíscas, que podem inflamar pós ou vapores.
- **Manter crianças e outras pessoas afastadas da ferramenta eléctrica durante a utilização.** No caso de distração é possível que perca o controlo sobre o aparelho.

#### Segurança eléctrica

- **A ficha de conexão da ferramenta eléctrica deve caber na tomada. A ficha não deve ser modificada de maneira alguma. Não utilizar uma ficha de adaptação junto com ferramentas eléctricas protegidas por ligação à terra.** Fichas não modificadas e tomadas apropriadas reduzem o risco de um choque eléctrico.
- **Evitar que o corpo possa entrar em contacto com superfícies ligadas à terra, como tubos, aquecimentos, fogões e frigoríficos.** Há um risco elevado devido a choque eléctrico, se o corpo estiver ligado à terra.
- **Manter o aparelho afastado de chuva ou humidade.** A infiltração de água numa ferramenta eléctrica aumenta o risco de choque eléctrico.
- **Não deverá utilizar o cabo para outras finalidades. Nunca utilizar o cabo para transportar a ferramenta eléctrica, para pendurá-la, nem para puxar a ficha da tomada. Manter o cabo afastado do calor, do óleo, de arestas afiadas ou de peças em movimento.** Cabos danificados ou emaranhados aumentam o risco de um choque eléctrico.
- **Se trabalhar com uma ferramenta eléctrica ao ar livre, só deverá utilizar cabos de extensão apropriados para áreas exteriores.** A utilização de um cabo de extensão apropriado para áreas exteriores reduz o risco de um choque eléctrico.
- **Se não for possível evitar o funcionamento da ferramenta eléctrica em áreas húmidas, deverá ser utilizado um disjuntor de corrente de avaria.** A utilização de um disjuntor de corrente de avaria reduz o risco de um choque eléctrico.

#### Segurança de pessoas

- **Esteja atento, observe o que está a fazer e tenha prudência ao trabalhar com a ferramenta eléctrica.**

## Português

### Instruções de segurança

#### Instruções gerais de segurança para ferramentas eléctricas

#### AVISO

Devem ser lidas todas as indicações de segurança,

instruções, ilustrações e especificações desta ferramenta eléctrica. O desrespeito das instruções apresentadas abaixo poderá resultar em choque eléctrico, incêndio e/ou ferimentos graves.

- Não utilizar uma ferramenta eléctrica quando estiver fatigado ou sob a influência de drogas, álcool ou medicamentos.** Um momento de descuido ao utilizar a ferramenta eléctrica, pode levar a lesões graves.
- ▶ **Utilizar equipamento de protecção individual. Utilizar sempre óculos de protecção.** A utilização de equipamento de protecção pessoal, como máscara de protecção contra pó, sapatos de segurança antiderrapantes, capacete de segurança ou protecção auricular, de acordo com o tipo e aplicação da ferramenta eléctrica, reduz o risco de lesões.
  - ▶ **Evitar uma colocação em funcionamento involuntária. Assegure-se de que a ferramenta eléctrica esteja desligada, antes de conectá-la à alimentação de rede e/ou ao acumulador, antes de levantá-la ou de transportá-la.** Se tiver o dedo no interruptor ao transportar a ferramenta eléctrica ou se o aparelho for conectado à alimentação de rede enquanto estiver ligado, poderão ocorrer acidentes.
  - ▶ **Remover ferramentas de ajuste ou chaves de boca antes de ligar a ferramenta eléctrica.** Uma ferramenta ou chave que se encontre numa parte do aparelho em movimento pode levar a lesões.
  - ▶ **Evite uma posição anormal. Mantenha uma posição firme e mantenha sempre o equilíbrio.** Desta forma é mais fácil controlar a ferramenta eléctrica em situações inesperadas.
  - ▶ **Usar roupa apropriada. Não usar roupa larga nem jóias. Mantenha os cabelos e roupas afastados de peças em movimento.** Roupas frouxas, cabelos longos ou jóias podem ser agarrados por peças em movimento.
  - ▶ **Se for possível montar dispositivos de aspiração ou de recolha, assegure-se de que estejam conectados e utilizados correctamente.** A utilização de uma aspiração de pó pode reduzir o perigo devido ao pó.
  - ▶ **Não deixe que a familiaridade resultante de uma utilização frequente de ferramentas permita que você se torne complacente e ignore os princípios de segurança da ferramenta.** Uma acção descuidada pode causar ferimentos graves numa fracção de segundo.
- Utilização e manuseio cuidadoso de ferramentas eléctricas**
- ▶ **Não sobrecarregue a ferramenta eléctrica. Utilize a ferramenta eléctrica apropriada para o seu trabalho.** É melhor e mais seguro trabalhar com a ferramenta eléctrica apropriada na área de potência indicada.
  - ▶ **Não utilizar uma ferramenta eléctrica com um interruptor defeituoso.** Uma ferramenta eléctrica que não pode mais ser ligada nem desligada, é perigosa e deve ser reparada.
  - ▶ **Puxar a ficha da tomada e/ou remover o acumulador, se amovível, antes de executar ajustes na ferramenta eléctrica, de substituir acessórios ou de guardar as ferramentas eléctricas.** Esta medida de segurança evita o arranque involuntário da ferramenta eléctrica.
  - ▶ **Guardar ferramentas eléctricas não utilizadas fora do alcance de crianças e não permitir que as pessoas que não estejam familiarizadas com o aparelho ou que não tenham lido estas instruções utilizem o aparelho.** Ferramentas eléctricas são perigosas se forem utilizadas por pessoas inexperientes.
  - ▶ **Tratar a ferramenta eléctrica e os acessórios com cuidado. Controlar se as partes móveis do aparelho funcionam perfeitamente e não emperram, e se há peças quebradas ou danificadas que possam prejudicar o funcionamento da ferramenta eléctrica. Permitir que peças danificadas sejam reparadas antes da utilização.** Muitos acidentes têm como causa, a manutenção insuficiente de ferramentas eléctricas.
  - ▶ **Manter as ferramentas de corte afiadas e limpas.** Ferramentas de corte cuidadosamente tratadas e com cantos de corte afiados emperram com menos frequência e podem ser conduzidas com maior facilidade.
  - ▶ **Utilizar a ferramenta eléctrica, acessórios, ferramentas de aplicação, etc. conforme estas instruções. Considerar as condições de trabalho e a tarefa a ser executada.** A utilização de ferramentas eléctricas para outras tarefas a não ser as aplicações previstas, pode levar a situações perigosas.
  - ▶ **Mantenha os punhos e as superfícies de agarrar secas, limpas e livres de óleo e massa consistente.** Punhos e superfícies de agarrar escorregadias não permitem o manuseio e controle seguros da ferramenta em situações inesperadas.
- Serviço**
- ▶ **Só permita que o seu aparelho seja reparado por pessoal especializado e qualificado e só com peças de reposição originais.** Desta forma é assegurado o funcionamento seguro do aparelho.
- Instruções de segurança para lixadeira**
- ▶ **Use a ferramenta eléctrica apenas para lixamento a seco.** A infiltração de água numa ferramenta eléctrica aumenta o risco de choque eléctrico.
  - ▶ **Atenção, perigo de incêndio! Evite um sobreaquecimento do material de lixar e da lixadeira. Esvazie sempre o reservatório de pó antes de pausas no trabalho.** O pó de lixa no saco coletor do pó, no microfiltro, no saco de papel (ou no saco do filtro ou no filtro do aspirador) pode incendiar-se sob circunstâncias desfavoráveis como faíscas ao lixar metais. Existe perigo especialmente quando o pó de lixa está misturado com restos de verniz, poliuretano ou outras substâncias químicas e o material de lixar está quente após longo período de trabalho.
  - ▶ **Limpe com regularidade as aberturas de ventilação da sua ferramenta eléctrica.** A ventoinha do motor puxa pó para dentro da carcaça, e uma grande quantidade de pó de metal pode causar perigos eléctricos.



- **Fixar a peça a ser trabalhada.** Uma peça a ser trabalhada fixa com dispositivos de aperto ou com torno de bancada está mais firme do que segurada com a mão.
- **Espera a ferramenta elétrica parar completamente, antes de depositá-la.**

## Descrição do produto e do serviço



**Leia todas as instruções de segurança e instruções.** A inobservância das instruções de segurança e das instruções pode causar choque elétrico, incêndio e/ou ferimentos graves.

Respeite as figuras na parte da frente do manual de instruções.

### Utilização adequada

A ferramenta elétrica destina-se ao lixamento a seco de madeira, plástico, metal, massa de aparelhar e superfícies pintadas.

## Componentes ilustrados

A numeração dos componentes ilustrados refere-se à apresentação da ferramenta elétrica na página de esquemas.

- (1) Interruptor de ligar/desligar
- (2) Caixa de pó completa (sistema de microfiltro) (GSS 1400 A)
- (3) Barra de aperto traseira
- (4) Placa de lixar
- (5) Grampo de fixação (2x)
- (6) Disco de lixar<sup>a)</sup>
- (7) Barra de aperto dianteira
- (8) Punho (superfície do punho isolada) (softgrip apenas na GSS 1400 A)
- (9) Bocal de sopro (GSS 1400 A)
- (10) Elemento do filtro (sistema de microfiltro) (GSS 1400 A)
- (11) Mangueira de aspiração<sup>a)</sup>
- (12) Placa para furar folhas de lixa<sup>a)</sup>

a) **Acessórios apresentados ou descritos não pertencem ao volume de fornecimento padrão. Todos os acessórios encontram-se no nosso programa de acessórios.**

## Dados técnicos

Lixadeira orbital		GSS 1400	GSS 1400 A
Número de produto		<b>3 601 BA2 0..</b>	<b>3 601 BA2 1..</b>
Potência nominal absorvida	W	180	180
N.º de rotações em vazio	r.p.m.	12000	12000
Número de oscilações em vazio	o.p.m.	24000	24000
Diâmetro do círculo de oscilação	mm	1,6	1,6
Dimensões da folha de lixa			
– Fixação auto aderente	mm	115 x 107	115 x 107
– Tensão de aperto	mm	115 x 140	115 x 140
Dimensões da placa de lixar			
	mm	110 x 100	110 x 100
Peso conforme EPTA-Procedure 01:2014	kg	1,3	1,4
Classe de proteção		□ / II	□ / II

Os dados aplicam-se a uma tensão nominal [U] de 230 V. Com tensões divergentes e em versões específicas do país, estes dados podem variar.

## Montagem

- **Antes de todos trabalhos na ferramenta elétrica deverá puxar a ficha de rede da tomada.**

### Substituir a folha de lixar

Antes de colocar uma folha de lixa nova, remova a sujidade e o pó da placa de lixar (4), p. ex. com um pincel.

Para assegurar uma aspiração de pó ideal, certifique-se de que os orifícios punccionados na folha de lixa coincidem com os furos na placa de lixar.

### Folhas de lixa sem fixação autoaderente (ver figuras A-C)

- 1 Solte ambos os grampos de fixação (5) do sistema de retenção e vire-os para baixo.
- 2 Introduza a folha de lixa (6) por baixo da régua de aperto (3). Certifique-se de que a folha de lixa (6) não é demasiado curta e está fixa de forma correta. Volte a virar o grampo de fixação (5) para a posição de partida e fixe-o.
- 3 Coloque a folha de lixa bem esticada sobre a placa de lixar (4). Prenda a parte da frente da folha de lixa por baixo do grampo de fixação dianteiro (7). Certifique-se de que a folha de lixa (6) não é demasiado curta e está



fixa de forma correta. Volte a virar o grampo de fixação (5) para a posição de partida e fixe-o.

As folhas de lixa sem furos, p.ex. vendidas em rolos ou a metro, podem ser perfuradas por si com a placa para furar folhas de lixa (12), para a aspiração de pó. Para o fazer, pressione a ferramenta elétrica com a folha de lixa montada contra a placa para furar folhas de lixa (veja figura F).

Para remover a folha de lixa (6) solte ambos os grampos de fixação (5) e puxe a folha de lixa do respetivo suporte.

#### Folhas de lixar com fixação autoaderente

Se a placa de lixar (4) estiver equipada com um tecido de fixação autoaderente, pode fixar-se de forma rápida e fácil folhas de lixa com fixação autoaderente.

Sacuda o tecido de fixação autoaderente da placa de lixar (4) antes de colocar a folha de lixa (6), para permitir uma boa aderência.

Coloque a folha de lixa (6) à face num lado da placa de lixar (4), depois coloque a folha de lixa sobre a placa de lixar e pressione-a bem.

Para retirar a folha de lixa (6) pegue-a pela ponta e puxe-a da placa de lixar (4).

#### Seleção da folha de lixa

Estão disponíveis diversas folhas de lixar, de acordo com o material a ser trabalhado e com o desbaste desejado da superfície:

	Grão	
<b>red:Wood</b>		40–240

#### Para processamento de derivados de madeira

Para lixamento prévio, por exemplo de vigas e tábuas ásperas e não planas	grosseira	40, 60
---	-----------	--------

Para alisar e para nivelar pequenos desniveis	média	80, 120
---	-------	---------

Para o acabamento fino de lixar madeiras duras	fina	180, 240
--	------	----------

	Grão	
<b>white:Paint</b>		40–240

#### Para o processamento de camadas de tintas e vernizes ou primeira demão como betume de enchimento e massa de aparelhar

Para lixar tinta	grosseira	40, 60
------------------	-----------	--------

Para lixar tinta de primeira demão	média	80, 120
------------------------------------	-------	---------

Para o acabamento final de primeiras demãos antes de envernizar	fina	180, 240
---	------	----------

#### Aspiração de pó/de aparas

Pós de materiais como por exemplo, tintas que contêm chumbo, alguns tipos de madeira, minerais e metais, podem ser nocivos à saúde. O contacto ou a inalação dos pós pode provocar reações alérgicas e/ou doenças nas vias respiratórias do utilizador ou das pessoas que se encontrem

por perto.

Certos pós, como por exemplo pó de carvalho e faia são considerados como sendo cancerígenos, especialmente quando juntos com substâncias para o tratamento de madeiras (cromato, produtos de proteção da madeira). Material que contém asbesto só deve ser processado por pessoal especializado.

- Se possível deverá usar um dispositivo de aspiração de pó apropriado para o material.
- Assegurar uma boa ventilação do local de trabalho.
- É recomendável usar uma máscara de proteção respiratória com filtro da classe P2.

Observe as diretivas para os materiais a serem processados, vigentes no seu país.

► **Evite a acumulação de pó no local de trabalho.** Pós podem entrar levemente em ignição.

#### Aspiração integrada com caixa do pó (ver figuras D1–D4) (GSS 1400 A)

Encaixe a caixa do pó (2) no bocal de sopro (9).

O nível de enchimento da caixa do pó (2) pode ser facilmente controlado através do recipiente transparente.

Para esvaziar a caixa do pó (2) puxe a mesma rodando-a ligeiramente para trás.

Desaperte o elemento filtrante (10) da caixa do pó (2).

Esvazie a caixa do pó.

Bata ligeiramente o elemento filtrante (10) sobre uma base fixa para soltar o pó. Limpe as lamelas do elemento filtrante (10) com uma escova macia.

**Nota:** Para assegurar uma aspiração de pó ideal, esvazie atempadamente o reservatório de pó (2) e limpe regularmente o elemento filtrante (10).

Ao trabalhar em áreas de plano vertical, segure a ferramenta elétrica de forma a que a caixa do pó (2) aponte para baixo.

#### Aspiração externa (ver figura E) (GSS 1400 A)

Insira a mangueira de aspiração (11) (acessório) no bocal de sopro (9). Ligue a mangueira de aspiração (11) a um aspirador (acessório).

O aspirador de pó deve ser apropriado para o material a ser trabalhado.

Utilize um aspirador especial para aspirar pó que seja extremamente nocivo à saúde, cancerígeno ou seco.

Ao trabalhar em superfícies verticais, segure a ferramenta elétrica de modo a que a mangueira de aspiração aponte para baixo.

## Funcionamento

### Colocação em funcionamento

- **Observar a tensão de rede! A tensão da fonte de corrente elétrica deve coincidir com os dados que constam na placa de características da ferramenta elétrica. Ferramentas elétricas marcadas para 230 V também podem ser operadas com 220 V.**

### Ligar/desligar

#### ► Certifique-se de que consegue acionar o interruptor de ligar/desligar sem ter de soltar o punho.

Para **ligar** a ferramenta elétrica, coloque o interruptor de ligar/desligar **(1)** para a direita na posição "I".

Para **desligar** a ferramenta elétrica, coloque o interruptor de ligar/desligar **(1)** para a esquerda na posição "O".

### Instruções de trabalho

#### ► Espere a ferramenta elétrica parar completamente, antes de depositá-la.

A capacidade de demolição ao lixar é determinada essencialmente pela seleção da folha de lixa.

Apenas folhas de lixar impecáveis garantem um excelente rendimento de desbaste e a proteção da ferramenta elétrica.

Trabalhar com uma força de pressão uniforme para aumentar a vida útil das folhas de lixa.

Demasiada pressão não resulta num melhor rendimento de desbaste, mas sim num maior desgaste da ferramenta elétrica e da folha de lixa.

Jamais utilizar uma folha de lixa com a qual foi processado metal, para processar outros materiais.

Use apenas acessórios de lixar **Bosch** originais.

## Manutenção e assistência técnica

### Manutenção e limpeza

- **Antes de todos trabalhos na ferramenta elétrica deverá puxar a ficha de rede da tomada.**
- **Manter a ferramenta elétrica e as aberturas de ventilação sempre limpas, para trabalhar bem e de forma segura.**

Se for necessário instalar um cabo de ligação, a instalação deve ser feita pela **Bosch** ou por um centro de serviço autorizado para ferramentas elétricas **Bosch**, para evitar perigos de segurança.

### Serviço pós-venda e aconselhamento

O serviço pós-venda responde às suas perguntas a respeito de serviços de reparação e de manutenção do seu produto, assim como das peças sobressalentes. Desenhos explodidos e informações acerca das peças sobressalentes também em: [www.bosch-pt.com](http://www.bosch-pt.com)

A nossa equipa de consultores Bosch esclarece com prazer todas as suas dúvidas a respeito dos nossos produtos e acessórios.

Indique para todas as questões e encomendas de peças sobressalentes a referência de 10 dígitos de acordo com a placa de características do produto.

#### Brasil

Robert Bosch Ltda. – Divisão de Ferramentas Elétricas  
Rodovia Anhanguera, Km 98 - Parque Via Norte  
13065-900, CP 1195  
Campinas, São Paulo

Tel.: 0800 7045 446  
[www.bosch.com.br/contato](http://www.bosch.com.br/contato)

#### Encontra outros endereços da assistência técnica em:

[www.bosch-pt.com/serviceaddresses](http://www.bosch-pt.com/serviceaddresses)

### Eliminação

Ferramentas elétricas, acessórios e embalagens devem ser enviados a uma reciclagem ecológica de matérias-primas.



Não deitar ferramentas elétricas no lixo doméstico!

## 中文

### 安全规章

#### 电动工具通用安全警告

**警告！** 阅读随电动工具提供的所有安全警告、说明、图示和规定。不遵照以下所列说明会导致电击、着火和/或严重伤害。

保存所有警告和说明书以备查阅。

警告中的术语“电动工具”是指市电驱动（有线）电动工具或电池驱动（无线）电动工具。

#### 工作场地的安全

- **保持工作场地清洁和明亮。** 杂乱和黑暗的场地会引发事故。
- **不要在易爆环境，如有易燃液体、气体或粉尘的环境下操作电动工具。** 电动工具产生的火花会点燃粉尘或气体。
- **操作电动工具时，远离儿童和旁观者。** 注意力不集中会使你失去对工具的控制。

#### 电气安全

- **电动工具插头必须与插座相配。** 绝不能以任何方式改装插头。需接地的电动工具不能使用任何转换插头。未经改装的插头和相配的插座将降低电击风险。
- **避免人体接触接地表面，如管道、散热片和冰箱。** 如果你身体接触接地表面会增加电击风险。
- **不得将电动工具暴露在雨中或潮湿环境中。** 水进入电动工具将增加电击风险。
- **不得滥用软线。** 绝不能用软线搬运、拉动电动工具或拔出其插头。使软线远离热源、油、锐边或运动部件。受损或缠绕的软线会增加电击风险。
- **当在户外使用电动工具时，使用适合户外使用的延长线。** 适合户外使用的电线将降低电击风险。
- **如果无法避免在潮湿的环境中操作电动工具，应使用带有剩余电流装置（RCD）保护的电源。** RCD的使用可降低电击风险。

### 人身安全

- ▶ **保持警觉，当操作电动工具时关注所从事的操作并保持清醒。当你感到疲倦，或在有药物、酒精或治疗反应时，不要操作电动工具。**在操作电动工具时瞬间的疏忽会导致严重人身伤害。
- ▶ **使用个人防护装置。始终佩戴护目镜。**防护装置，诸如适当条件下使用防尘面具、防滑安全鞋、安全帽、听力防护等装置能减少人身伤害。
- ▶ **防止意外启动。在连接电源和/或电池包、拿起或搬运工具前确保开关处于关断位置。**手指放在开关上搬运工具或开关处于接通时通电会导致危险。
- ▶ **在电动工具接通之前，拿掉所有调节钥匙或扳手。**遗留在电动工具旋转零件上的扳手或钥匙会导致人身伤害。
- ▶ **手不要过分伸展。时刻注意立足点和身体平衡。**这样能在意外情况下能更好地控制住电动工具。
- ▶ **着装适当。不要穿宽松衣服或佩戴饰品。让你的头发和衣服远离运动部件。**宽松衣服、佩饰或长发可能会卷入运动部件。
- ▶ **如果提供了与排屑、集尘设备连接用的装置，要确保其连接完好且使用得当。**使用集尘装置可降低尘屑引起的危险。
- ▶ **不要因为频繁使用工具而产生的熟悉感而掉以轻心，忽视工具的安全准则。**某个粗心的动作可能在瞬间导致严重的伤害。

### 电动工具使用和注意事项

- ▶ **不要勉强使用电动工具，根据用途使用合适的电动工具。**选用合适的按照额定值设计的电动工具会使你工作更有效、更安全。
- ▶ **如果开关不能接通或关断电源，则不能使用该电动工具。**不能通过开关来控制的电动工具是危险的且必须进行修理。
- ▶ **在进行任何调节、更换附件或贮存电动工具之前，必须从电源上拔掉插头和/或卸下电池包（如可拆卸）。**这种防护性的安全措施降低了电动工具意外启动的风险。
- ▶ **将闲置不用的电动工具贮存在儿童所及范围之外，并且不允许不熟悉电动工具和不了解这些说明的人操作电动工具。**电动工具在未经培训的使用者手中是危险的。
- ▶ **维护电动工具及其附件。检查运动部件是否调整到位或卡住，检查零件破损情况和影响电动工具运行的其他状况。如有损坏，应在使用前修理好电动工具。**许多事故是由维护不良的电动工具引发的。
- ▶ **保持切削刀具锋利和清洁。**维护良好地有锋利切削刃的刀具不易卡住而且容易控制。
- ▶ **按照使用说明书，并考虑作业条件和要进行的作业来选择电动工具、附件和工具的刀头等。**将电动工具用于那些与其用途不符的操作可能会导致危险情况。
- ▶ **保持手柄和握持表面干燥、清洁，不得沾有油脂。**在意外的情况下，湿滑的手柄不能保证握持的安全和对工具的控制。

### 维修

- ▶ **由专业维修人员使用相同的备件维修电动工具。**这将保证所维修的电动工具的安全。

### 针对砂光机的安全警告

- ▶ **本电动工具仅可用于干法研磨。**水进入电动工具将增加电击危险。
- ▶ **注意火灾危险！应避免磨料和研磨机过热。**每次工作休息前都要清空集尘腔。集尘袋、微过滤器、纸袋（或者吸尘器的过滤袋或过滤器）内的磨削粉尘可能会在不良条件下（例如研磨金属时火花飞溅）被点燃。如果磨削粉尘与油漆或聚氨酯残余物或者其他化学原料混合，且磨料在长时间作业后产生高温时，会产生极大危险。
- ▶ **定期清洁电动工具的通风间隙。**电动机风扇会将灰尘吸进机壳，过多的金属粉末沉积会导致电气危险。
- ▶ **固定好工件。**使用固定装置或老虎钳固定工件，会比用手持握工件更牢固。
- ▶ **等待电动工具完全静止后才能够放下机器。**

### 产品和性能说明



请阅读所有安全规章和指示。不遵照以下警告和说明可能导致电击、着火和/或严重伤害。

请注意本使用说明书开头部分的图示。

### 按照规定使用

本电动工具适合在木材，塑料，金属，填隙料和涂了油漆的表面上干磨。

### 插图上的机件

机件的编号和电动工具详解图上的编号一致。

- (1) 起停开关
- (2) 整个集尘盒（微缩过滤器系统）（GSS 1400 A）
- (3) 后部夹条
- (4) 磨板
- (5) 卡箍（2个）
- (6) 砂纸<sup>a)</sup>
- (7) 前部夹条
- (8) 手柄（绝缘握柄）（软柄只适用于 GSS 1400 A）
- (9) 吸尘器转换接口（GSS 1400 A）
- (10) 滤芯（微缩过滤器系统）（GSS 1400 A）
- (11) 集尘软管<sup>a)</sup>
- (12) 穿孔工具<sup>a)</sup>

a) 图表或说明上提到的附件，并不包含在基本的供货范围中。本公司的附件清单中有完整的附件供应项目。

## 技术参数

振动磨机		GSS 1400	GSS 1400 A
物品代码		3 601 BA2 0..	3 601 BA2 1..
额定输入功率	瓦	180	180
空载转速	转/分钟	12000	12000
空载振动次数	转/分钟	24000	24000
振动圆直径	毫米	1.6	1.6
砂纸尺寸			
- 魔术贴	毫米	115 x 107	115 x 107
- 夹紧压力	毫米	115 x 140	115 x 140
磨板尺寸	毫米	110 x 100	110 x 100
重量符合EPTA-Procedure 01:2014	公斤	1.3	1.4
保护等级		□/II	□/II

所有参数适用于230伏的额定电压[U]，对于其他不同的电压和国际规格，数据有可能不同。

## 安装

- ▶ 在电动工具上进行所有操作之前都必须从插座上拔出电源插头。

### 更换砂纸

装入新砂纸前，用刷子清除磨板(4)上的脏污和灰尘。

注意将砂纸的冲孔与磨板上的孔重叠，以确保最佳的集尘效果。

#### 不带魔术贴的砂纸（参见插图A-C）

- ① 将两个卡箍(5)从止动件中松开，然后将其向下翻转。
- ② 将砂纸(6)插入后部夹条(3)下方。确保砂纸(6)不要太短并正确夹紧。将卡箍(5)翻转回初始位置并将其锁止在那里。
- ③ 将砂纸紧绷地铺在磨板(4)上。将砂纸前部夹紧在前部夹条(7)下方。确保砂纸(6)不要太短并正确夹紧。将卡箍(5)翻转回初始位置并将其锁止在那里。

无孔砂纸，比如整卷或整米卖的砂纸，可以用穿孔工具(12)为其打孔，以便能够吸尘。为此，请将已安装好砂纸的电动工具压到穿孔工具上（见图片F）。

要取下砂纸(6)，松开两个卡箍(5)，然后将砂纸从其底座中取出。

#### 带魔术贴的砂纸

如果磨板(4)带有尼龙织物，则可通过魔术贴快速便捷地固定砂纸。

装入砂纸(6)前，先敲出磨板(4)的尼龙织物，以实现最佳粘合效果。

将砂纸(6)齐平贴在磨板(4)的一面，然后将砂纸放到磨板上并压紧。

如需取下砂纸(6)，请抓住尖部，然后从磨板(4)上取下。

### 选择砂纸

根据工件的物料和希望的物表研磨效果，选择合适的砂纸：

	目数	
<b>red:Wood</b>		<b>40-240</b>
<b>用于加工所有木质材料</b>		
对于初磨，例如粗糙、未刨光的方木和木板	粗	40, 60
用于平面打磨和磨平轻微的不平整表面	中	80, 120
在硬木上做最后的研磨和精磨工作	细	180, 240
<b>white:Paint</b>		<b>40-240</b>
<b>加工颜料/漆料或底料、填隙料等</b>		
磨除颜料层	粗	40, 60
打磨底漆	中	80, 120
上漆前磨平底料	细	180, 240

### 吸锯尘/吸锯屑

含铅的颜料以及某些木材、矿物和金属的加工废尘有害健康。机器操作者或者工地附近的人如果接触、吸入这些废尘，可能会有过敏反应或者感染呼吸道疾病。

某些尘埃（例如加工橡木或山毛榉的废尘）可能致癌，特别是和处理木材的添加剂（例如木材的防腐剂等）结合之后。只有经过专业训练的人才能够加工含石棉的物料。

- 尽可能使用适合物料的吸尘装置。
- 工作场所要保持空气流通。
- 最好佩戴P2滤网等级的口罩。

请留心并遵守贵国和加工物料有关的法规。

- ▶ **避免让工作场所堆积过多的尘垢。** 尘垢容易被点燃。

### 利用集尘盒自集尘 (参见插图D1-D4) (GSS 1400 A)

将集尘盒(2)推到吸尘器转换接口(9)上。  
可通过一个透明的容器轻松控制集尘盒(2)集尘量。  
清空集尘盒(2)时, 请将其略微转动向后拔下。  
将滤芯(10)从集尘盒(2)上拧下。倒空集尘盒。  
轻轻敲击滤芯(10)的硬垫, 使灰尘脱落。用一支软刷清洁滤芯(10)膜片。

**提示:** 为确保最佳集尘效果, 请及时清空集尘盒(2)并定期清洁滤芯(10)。

在垂直的平面上操作电动工具时, 必须以集尘盒(2)朝下的方式握持电动工具。

### 外部集尘 (参见插图E) (GSS 1400 A)

将集尘软管(11) (附件) 插到吸尘器转换接口(9)上。将集尘软管(11)与吸尘器 (附件) 连接。

根据工件的物料选择合适的吸尘装置。

吸集可能危害健康, 可能导致癌症或干燥的废尘时, 务必使用特殊的吸尘装置。

在垂直的平面上操作电动工具时, 必须以吸管朝下的方式握持电动工具。

## 操作

### 投入使用

- ▶ **注意电源电压!** 电源的电压必须和电动工具铭牌上标示的电压一致。标记为230伏电动工具用220伏的电压可以驱动。

#### 接通/关闭

- ▶ 请确保握住手柄时可以开启/关闭开关。

接通电动工具时, 将起停开关(1)向右翻到位置“1”。

关闭电动工具时, 将起停开关(1)向左翻到位置“0”。

### 工作提示

- ▶ 等待电动工具完全静止后才能够放下机器。

研磨时的磨除率主要由所选砂纸决定。

只有完好的砂纸才能够提高研磨功率, 并且保护电动工具。

操作机器时要均匀施压, 如此才能够提高砂纸的使用寿命。

在机器上过度施压, 不仅无法提高研磨功率, 反而容易损坏机器并提高砂纸的耗损率。

不可以使用研磨过金属的砂纸研磨其它的物料。

请只使用Bosch原装研磨附件。

## 维修和服务

### 维护和清洁

- ▶ 在电动工具上进行所有操作之前都必须从插座上拔出电源插头。
- ▶ 电动工具和通气孔必须随时保持清洁, 以确保工作效率和工作安全。

如果必须更换连接线, 务必把这项工作交给Bosch或者经授权的Bosch电动工具顾客服务执行, 以避免危害机器的安全性能。

### 客户服务和应用咨询

本公司顾客服务处负责回答有关本公司产品的修理、维护和备件的问题。备件的展开图纸和信息也可查看: [www.bosch-pt.com](http://www.bosch-pt.com)  
博世应用咨询团队乐于就我们的产品及其附件问题提供帮助。

询问和订购备件时, 务必提供机器铭牌上标示的10位数物品代码。

#### 中国大陆

博世电动工具 (中国) 有限公司

中国 浙江省 杭州市

滨江区 滨康路567号

102/1F 服务中心

邮政编码: 310052

电话: (0571)8887 5566 / 5588

传真: (0571)8887 6688 x 5566# / 5588#

电邮: [bsc.hz@cn.bosch.com](mailto:bsc.hz@cn.bosch.com)

[www.bosch-pt.com.cn](http://www.bosch-pt.com.cn)

#### 制造商地址:

Robert Bosch Power Tools GmbH

罗伯特·博世电动工具有限公司

70538 Stuttgart / GERMANY

70538 斯图加特 / 德国

#### 其他服务地址请见:

[www.bosch-pt.com/serviceaddresses](http://www.bosch-pt.com/serviceaddresses)

### 处理废弃物

必须以符合环保要求的方式回收再利用电动工具、附件和包装材料。



不可以把电动工具丢入家庭垃圾中!

## 繁體中文

## 安全注意事項

### 電動工具一般安全注意事項

#### 警告

請詳讀工作臺及電動工具的所有安全警告與使用說明。若不

遵照以下列出的指示, 將可能導致電擊、著火和/或人員重傷。

保存所有警告和說明書以備查閱。

在所有警告中, 「電動工具」此一名詞泛指: 以市電驅動的 (有線) 電動工具或是以電池驅動的 (無線) 電動工具。



### 工作場地的安全

- ▶ 保持工作場地清潔和明亮。混亂和黑暗的場地會引發事故。
- ▶ 不要在易爆環境，如有易燃液體、氣體或粉塵的環境下操作電動工具。電動工具產生的火花會點燃粉塵或氣體。
- ▶ 讓兒童和旁觀者離開後操作電動工具。注意力不集中會使您失去對工具的控制。

### 電氣安全

- ▶ 電動工具插頭必須與插座相配。絕不能以任何方式改裝插頭。需接地的電動工具不能使用任何轉換插頭。未經改裝的插頭和相配的插座將減少電擊危險。
- ▶ 避免人體接觸接地表面，如管道、散熱片和冰箱。如果您身體接地會增加電擊危險。
- ▶ 不得將電動工具暴露在雨中或潮濕環境中。水進入電動工具將增加電擊危險。
- ▶ 不得濫用電線。絕不能用電線搬運、拉動電動工具或拔出其插頭。使電線遠離熱源、油、銳利邊緣或移動零件。受損或纏繞的軟線會增加電擊危險。
- ▶ 當在戶外使用電動工具時，使用適合戶外使用的延長線。適合戶外使用的軟線，將減少電擊危險。
- ▶ 如果在潮濕環境下操作電動工具是不可避免的，應使用剩餘電流動作保護器（RCD）。使用RCD可降低電擊危險。

### 人身安全

- ▶ 保持警覺，當操作電動工具時關注所從事的操作並保持清醒。當您感到疲倦，或在有藥物、酒精或治療反應時，不要操作電動工具。在操作電動工具時瞬間的疏忽會導致嚴重人身傷害。
- ▶ 使用個人防護裝置。始終佩戴護目鏡。安全裝置，諸如適當條件下使用防塵面具、防滑安全鞋、安全帽、聽力防護等裝置能減少人身傷害。
- ▶ 防止意外起動。確保開關在連接電源和/或電池盒、拿起或搬運工具時處於關閉位置。手指放在已接通電源的開關上或開關處於接通時插入插頭可能會導致危險。
- ▶ 在電動工具接通之前，拿掉所有調節鑰匙或扳手。遺留在電動工具旋轉零件上的扳手或鑰匙會導致人身傷害。
- ▶ 手不要伸展得太長。時刻注意立足點和身體平衡。這樣在意外情況下能很好地控制電動工具。
- ▶ 著裝適當。不要穿寬鬆衣服或佩戴飾品。讓您的衣物及頭髮遠離運動部件。寬鬆衣服、佩飾或長髮可能會捲入運動部件中。
- ▶ 如果提供了與排屑、集塵設備連接用的裝置，要確保他們連接完好且使用得當。使用這些裝置可減少塵屑引起的危險。
- ▶ 切勿因經常使用工具所累積的熟練感而過度自信，輕忽工具的安全守則。任何一個魯莽的舉動都可能瞬間造成人員重傷。

### 電動工具使用和注意事項

- ▶ 不要濫用電動工具，根據用途使用適當的電動工具。選用適當設計的電動工具會使您工作更有效、更安全。
- ▶ 如果開關不能開啟或關閉工具電源，則不能使用該電動工具。不能用開關來控制的電動工具是危險的且必須進行修理。
- ▶ 在進行任何調整、更換配件或貯存電動工具之前，必須從電源上拔掉插頭並/或取出電池盒。這種防護性措施將減少工具意外起動的危險。
- ▶ 將閒置不用的電動工具貯存在兒童所及範圍之外，並且不要讓不熟悉電動工具或對這些說明不瞭解的人操作電動工具。電動工具在未經培訓的用戶手中是危險的。
- ▶ 保養電動工具與配備。檢查運動件是否調整到位或卡住，檢查零件破損情況和影響電動工具運行的其他狀況。如有損壞，電動工具應在使用前修理好。許多事故由維護不良的電動工具引發。
- ▶ 保持切削刀具鋒利和清潔。保養良好的有鋒利切削刃的刀具不易卡住而且容易控制。
- ▶ 按照使用說明書，考慮作業條件和進行的作業來使用電動工具、配件和工具的刀頭等。將電動工具用於那些與其用途不符的操作可能會導致危險。
- ▶ 把手及握持區應保持乾燥、潔淨，且不得沾染任何油液或油脂。易滑脫的把手及握持區將無法讓您在發生意外狀況時安全地抓緊並控制工具。

### 檢修

- ▶ 將您的電動工具送交專業維修人員，必須使用同樣的備件進行更換。這樣將確保所維修的電動工具的安全性。

### 砂磨機安全注意事項

- ▶ 本電動工具僅適用於乾式研磨。水進入電動工具將增加電擊危險。
- ▶ 請注意：有失火之虞！請避免砂磨材料或砂帶機過熱。暫停作業之前請務必清空集塵容器。集塵袋、超微細過濾器、紙袋內（或吸塵器過濾袋/濾材內）的研磨粉塵可能在不利條件下自行點燃，例如研磨金屬時所產生的火花。尤其是當研磨粉塵若混入殘留的烤漆、聚胺酯或其他化學物質，而且在經過長時間運轉後砂磨材料的溫度又極高時，這種情形特別具危險性。
- ▶ 請定期清潔電動工具的通風口。電動機風扇會將灰塵吸進機殼，過多的金屬粉末沉積會導致電氣危險。
- ▶ 固定好工件。使用固定裝置或老虎鉗固定工件，會比用手持握工件更牢固。
- ▶ 等待電動工具完全靜止後才能夠放下機器。

### 產品和功率描述



請詳讀所有安全注意事項和指示。如未遵守安全注意事項與指示，可能導致火災、人員遭受電擊及/或重傷。請留意操作說明書中最前面的圖示。

## 依規定使用機器

本電動工具適合在木材、塑膠、金屬、填縫泥及上漆表面上進行乾式研磨。

## 插圖上的機件

機件的編號和電動工具詳解圖上的編號一致。

- (1) 起停開關
- (2) 集塵盒全套件 (Microfilter System) (GSS 1400 A)
- (3) 後夾邊條
- (4) 磨板
- (5) 夾箍 (2x)
- (6) 研磨片<sup>a)</sup>
- (7) 前夾邊條
- (8) 手柄 (絕緣握柄) (僅 GSS 1400 A 提供軟式把手)
- (9) 排塵接管 (GSS 1400 A)
- (10) 濾芯 (Microfilter System) (GSS 1400 A)
- (11) 吸塵管<sup>a)</sup>
- (12) 打孔器<sup>a)</sup>

a) 圖表或說明上提到的配件，並不包含在基本的供貨範圍中。本公司的配件清單中有完整的配件供應項目。

## 技術性數據

平板砂磨機		GSS 1400	GSS 1400 A
產品機號		3 601 BA2 0..	3 601 BA2 1..
額定輸入功率	W	180	180
無負載轉速	次 / 分	12000	12000
無負載振盪次數	次 / 分	24000	24000
振盪繞圈直徑	mm	1.6	1.6
研磨片尺寸			
- 利用魔鬼氈黏貼固定	mm	115 x 107	115 x 107
- 利用緊固夾繃緊固定	mm	115 x 140	115 x 140
磨板尺寸	mm	110 x 100	110 x 100
重量符合 EPTA-Procedure 01:2014	kg	1.3	1.4
絕緣等級		□/II	□/II

本說明書提供的參數是以 230 伏特為依據，於低電壓地區，此數據有可能不同。

## 安裝

- ▶ 維修電動工具或換裝零、配件之前，務必從插座上拔出插頭。

### 更換研磨片

裝上新的研磨片之前，請用例如刷子清除磨板 (4) 上的髒污與粉塵。

請注意：為確保最佳吸塵效果，研磨片上的孔請對準磨板開孔位置。

### 無魔鬼氈設計的研磨片 (請參考圖 A-C)

- ❶ 從鎖扣中鬆開兩個夾箍 (5)，然後往下翻轉。
- ❷ 將研磨片 (6) 鋪到後夾邊條 (3) 底下。請注意研磨片 (6) 不得過短，且應正確夾緊。將夾箍 (5) 翻回原來位置並鎖緊至該處。
- ❸ 將砂紙包覆磨板 (4) 並繃緊。將研磨片前端確實夾入前夾邊條 (7) 底下。請注意研磨片 (6) 不得過短，且應正確夾緊。將夾箍 (5) 翻回原來位置並鎖緊至該處。

未打孔的研磨片 (例如採滾筒形式或捆捲形式販售之研磨片)，只要用打孔器 (12) 先打好孔，即亦可在吸塵時使用。其做法是，直接將已裝上研磨片的電動工具按壓在打孔器上 (詳見圖示 F)。

若要取下研磨片 (6)，請鬆開兩個夾箍 (5) 並將研磨片從其後方夾座中抽出。

### 具有魔鬼氈設計的研磨片

若磨板 (4) 上有魔鬼氈設計，您便能快速又便利地固定研磨片。

裝上研磨片 (6) 之前，請拍掉磨板 (4) 魔鬼氈上的粉塵，以確保最佳附著力。

放上研磨片 (6) 時，請將它與磨板 (4) 的其中一邊對齊，接著將它研磨片整片鋪到磨板上，並確實壓緊。

若要取下研磨片 (6)，請從尖端處將它從磨板 (4) 上拆下。

### 選用研磨片

本公司特別針對欲進行加工之各種材質以及所需之表面磨除效果，推出各式研磨片供您選購：

	粒度
<b>red:Wood</b>	40-240
<b>加工任一種木質材料</b>	
粗加工研磨，例如未刨平的粗糙木樑及木板	粗 40、60
平面磨整以及整平凹凸不平處	中 80、120



粒度	
在硬木上進行的最後一道研磨程序與精磨工作	細 180、 240
<b>whitePaint</b>	<b>40-240</b>
處理顏料/漆料或底料、填縫泥等	
磨除顏料層	粗 40、60
拋光底色	中 80、120
磨平底料以方便上漆	細 180、 240

### 吸除廢塵/料屑

含鉛顏料、部分木材種類、礦石和金屬的加工廢塵有害健康。機器操作者或施工現場附近的人員如果接觸、吸入這些廢塵，可能會引發過敏反應或感染呼吸道疾病。

某些塵埃（例如加工橡木或山毛櫸的廢塵）可能致癌，特別是與處理木材的添加劑（例如木材的防腐劑等）結合之後。唯有受過專業訓練的人才能夠進行含石棉物料的加工。

- 儘可能使用適合物料的吸塵裝置。
- 工作場所要保持空氣流通。
- 建議佩戴 P2 過濾等級的口罩。

請留意並遵守貴國的物料加工相關法規。

- ▶ **避免讓工作場所堆積過多的塵垢。**塵埃容易被點燃。

#### 機內吸塵裝置，含集塵盒（請參考圖 D1-D4） (GSS 1400 A)

將集塵盒 (2) 推到排放接管 (9) 上。

因為採用的是透明容器，因此很容易掌握集塵盒 (2) 的裝填狀態。

若要清空集塵盒 (2)，請將它輕輕往後旋轉即可拔下。

將濾芯 (10) 從集塵盒 (2) 中旋出。清空集塵盒。

將濾芯 (10) 對著堅硬表面輕敲，讓塵垢震鬆。用柔軟的刷子清潔濾芯 (10) 上的濾網層。

**提示：**為確保最佳吸塵效果，請適時清空集塵盒 (2) 並定期清潔濾芯 (10)。

在垂直平面上操作電動工具時，必須以集塵盒 (2) 朝下的方式握持電動工具。

#### 外接的吸塵裝置（請參考圖 E）(GSS 1400 A)

將吸塵管 (11) (配件) 插到排塵接管 (9) 上。將吸塵管 (11) 與吸塵器連接起來 (配件)。

根據工件材質選擇合適的吸塵裝置。

吸集可能危害健康、可能致癌或乾燥的廢塵時，務必使用特殊吸塵裝置。

在垂直平面上操作電動工具時，必須以吸塵管朝下的方式握持電動工具。

## 操作

### 操作機器

- ▶ **請注意電源電壓！**電源的電壓必須和電動工具銘牌上標示的電壓一致。標示為 **230 V** 的電動工具亦可接上 **220 V** 電源。

### 啟動/關閉

- ▶ **請確定您不用放開把手，就能操作起停開關。**

若要**啟動**電動工具：請將起停開關 (1) 往右扳，設為「I」位置。

若要**關閉**電動工具：請將起停開關 (1) 往左扳，設為「O」位置。

### 作業注意事項

- ▶ **等待電動工具完全靜止後才能夠放下機器。**

研磨時的磨除效率基本上是由砂紙決定。

只有完好的研磨片才能夠提高研磨效率，並且保護電動工具。

操作機器時要均力施壓，如此才能夠提高研磨片的使用壽命。

在機器上施力過度，不僅無法提高研磨效率，機器反而容易損壞並加速研磨片耗損。

不可以使用研磨過金屬的研磨片來研磨其它材質。

僅可使用 **Bosch** 原廠研磨配件。

## 維修和服務

### 維修和清潔

- ▶ **維修電動工具或換裝零、配件之前，務必從插座上拔出插頭。**

- ▶ **電動工具和通風口都必須保持清潔，這樣才能夠提高工作品質和安全性。**

如果必須更換連接線，請務必交由 **Bosch** 或者經授權的 **Bosch** 電動工具顧客服務執行，以避免危害機器的安全性能。

### 顧客服務處和顧客諮詢中心

本公司顧客服務處負責回答有關本公司產品的維修、維護和備用零件的問題。以下的網頁中有分解圖和備用零件相關資料：[www.bosch-pt.com](http://www.bosch-pt.com)

如果對本公司產品及其配件有任何疑問，博世應用諮詢小組很樂意為您提供協助。

當您需要諮詢或訂購備用零件時，請務必提供本產品型號銘牌上 10 位數的產品機號。

#### 台灣

台灣羅伯特博世股份有限公司

建國北路一段90號6樓

台北市10491

電話: (02) 7734 2588

傳真: (02) 2516 1176

[www.bosch-pt.com.tw](http://www.bosch-pt.com.tw)

#### 製造商地址:

Robert Bosch Power Tools GmbH

羅伯特·博世電動工具有限公司

70538 Stuttgart / GERMANY  
70538 斯圖加特/ 德國

以下更多客戶服務處地址：  
www.bosch-pt.com/serviceaddresses

**廢棄物處理**

必須以符合環保的方式，回收再利用損壞的機器、配件和廢棄的包裝材料。

不可以把電動工具丟入家庭垃圾中。



設備名稱：平板砂磨機，型號：GSS 1400, GSS 1400 A

限用物質及其符號

單元	鉛 (Pb)	汞 (Hg)	鎘 (Cd)	六價鉻 (Cr <sup>+6</sup> )	多溴聯苯 (PBB)	多溴二苯醚 (PBDE)
開關	○	○	○	○	○	○
電容器	○	○	○	○	○	○
馬達	-	○	○	○	○	○
電源線	○	○	○	○	○	○
外殼( 塑料)	○	○	○	○	○	○

備考 1. "超出 0.1 wt %" 及 "超出 0.01 wt %" 係指限用物質之百分比含量超出百分比含量基準值。

備考 2. "○" 係指該項限用物質之百分比含量未超出百分比含量基準值。

備考 3. "-" 係指該項限用物質為排除項目。

**한국어**

**안전 수칙**

**전동공구 일반 안전 수칙**

**경고** 본 전동공구와 함께 제공된 모든 안전경고, 지시사항, 그림 및 사양을 숙지하십시오. 다음의 지시 사양을 준수하지 않으면 감전, 화재, 또는 심각한 부상을 초래할 수 있습니다.

앞으로 참고할 수 있도록 이 안전수칙과 사용 설명서를 잘 보관하십시오.

다음에서 사용되는 "전동공구"라는 개념은 전원에 연결하여 사용하는 (전선이 있는) 전동 기기나 배터리를 사용하는 (전선이 없는) 전동 기기를 의미합니다.

**작업장 안전**

- ▶ 작업장을 항상 깨끗이 하고 조명을 밝게 하십시오. 작업장 환경이 어수선하거나 어두우면 사고를 초래할 수 있습니다.
- ▶ 가연성 유체, 가스 또는 분진이 있어 폭발 위험이 있는 환경에서 전동공구를 사용하지 마십시오. 전동공구는 분진이나 증기에 점화하는 스파크를 일으킬 수 있습니다.
- ▶ 전동공구를 사용할 때 구경꾼이나 어린이 혹은 다른 사람이 작업장에 접근하지 못하게 하십시오. 다른 사람이 주의를 산만하게 하면 기기에 대한 통제력을 잃기 쉽습니다.

**전기에 관한 안전**

- ▶ 전동공구의 전원 플러그가 전원 콘센트에 잘 맞아야 합니다. 플러그를 절대 변경시켜서는 안 됩니다. (접지된) 전동공구를 사용할 때 어댑터 플러그를 사용하지 마십시오. 변형되지 않은 플러그와 잘 맞는 콘센트를 사용하면 감전의 위험을 줄일 수 있습니다.
- ▶ 파이프 관, 라디에이터, 레인지, 냉장고와 같은 접지 표면에 몸이 닿지 않도록 하십시오. 몸에 닿을 경우 감전될 위험이 높습니다.
- ▶ 전동공구를 비에 맞지 않게 하고 습기 있는 곳에 두지 마십시오. 전동공구에 물이 들어가면 감전될 위험이 높습니다.
- ▶ 전원 코드를 잘못 사용하는 일이 없도록 하십시오. 전원 코드를 잡고 전동공구를 운반해서는 안 되며, 콘센트에서 전원 플러그를 뽑을 때 전원 코드를 잡아 당겨서는 절대로 안 됩니다. 전원 코드가 열과 오일에 접촉하는 것을 피하고, 날카로운 모서리나 기기의 가동 부위에 닿지 않도록 주의 하십시오. 손상되거나 영긴 전원 코드는 감전을 유발할 수 있습니다.
- ▶ 실외에서 전동공구로 작업할 때는 실외용으로 적당한 연장 전원 코드만을 사용하십시오. 실외용 연장 전원 코드를 사용하면 감전의 위험을 줄일 수 있습니다.
- ▶ 전동공구를 습기 찬 곳에서 사용해야 할 경우에는 누전 차단기를 사용하십시오. 누전 차단기를 사용하면 감전 위험을 줄일 수 있습니다.

### 사용자 안전

- ▶ 신중하게 작업하며, 전동공구를 사용할 때 경솔하게 행동하지 마십시오. 피로한 상태이거나 약물 복용 및 음주한 후에는 전동공구를 사용하지 마십시오. 전동공구를 사용할 때 잠시라도 주의가 산만해지면 충상을 입을 수 있습니다.
  - ▶ 작업자 안전을 위한 장치를 사용하십시오. 항상 보안경을 착용하십시오. 전동공구의 종류와 사용에 따라 먼지 보호 마스크, 미끄러지지 않는 안전화, 안전모 또는 귀마개 등의 안전한 복장을 하면 상해의 위험을 줄일 수 있습니다.
  - ▶ 실수로 기기가 작동되지 않도록 주의하십시오. 전동공구를 전원에 연결하거나 배터리를 끼우기 전에, 혹은 기기를 들거나 운반하기 전에, 전원 스위치가 꺼져 있는지 다시 확인하십시오. 전동공구를 운반할 때 전원 스위치가 손가락을 대거나 전원 스위치가 켜진 상태에서 전원을 연결하면 사고 위험이 높습니다.
  - ▶ 전동공구를 사용하기 전에 조절하는 톨이나 키 등을 빼 놓으십시오. 회전하는 부위에 있는 톨이나 키로 인해 상처를 입을 수 있습니다.
  - ▶ 자신을 과신하지 마십시오. 불안정한 자세를 피하고 항상 평형을 이룬 상태로 작업하십시오. 안정된 자세와 평형한 상태로 작업해야만이 의외의 상황에서도 전동공구를 안전하게 사용할 수 있습니다.
  - ▶ 알맞은 작업복을 입으십시오. 험령한 복장을 하거나 장신구를 착용하지 마십시오. 머리카락이 가동하는 기기 부위에 가까이 닿지 않도록 주의하십시오. 험령한 복장, 장신구 혹은 긴 머리는 가동 부위에 말려 사고를 초래할 수 있습니다.
  - ▶ 분진 추출장치나 수거장치의 조립이 가능한 경우, 이 장치가 연결되어 있는지, 제대로 작동이 되는지 확인하십시오. 이러한 분진 추출장치를 사용하면 분진으로 인한 사고 위험을 줄일 수 있습니다.
  - ▶ 톨을 자주 사용한다고 해서 안주하는 일이 없게 하고 공구의 안전 수칙을 무시하지 않도록 하십시오. 부주의하게 취급하여 순간적으로 심각한 부상을 입을 수 있습니다.
- ### 전동공구의 올바른 사용과 취급
- ▶ 기기를 과부하 상태에서 사용하지 마십시오. 작업할 때 이에 적당한 전동공구를 사용하십시오. 알맞은 전동공구를 사용하면 지정된 성능 한도 내에서 더 효율적으로 안전하게 작업할 수 있습니다.
  - ▶ 전원 스위치가 고장 난 전동공구를 사용하지 마십시오. 전원 스위치가 작동되지 않는 전동공구는 위험하므로, 반드시 수리를 해야 합니다.
  - ▶ 전동공구를 조정하거나 액세서리 부품 교환 혹은 공구를 보관할 때, 항상 전원 콘센트에서 플러그를 미리 빼어 놓거나 배터리를 분리하십시오. 이러한 조치는 실수로 전동공구가 작동하게 되는 것을 예방합니다.
  - ▶ 사용하지 않는 전동공구는 어린이 손이 닿지 않는 곳에 보관하고, 전동공구 사용에 익숙지 않거나 이 사용 설명서를 읽지 않은 사람은 기기를 사

용해서는 안됩니다. 경험이 없는 사람이 전동공구를 사용하면 위험합니다.

- ▶ 전동공구 및 액세서리를 조심스럽게 관리하십시오. 가동 부위가 하자 없이 정상적인 기능을 하는지, 걸리는 부위가 있는지, 혹은 전동공구의 기능에 중요한 부품이 손상되지 않았는지 확인하십시오. 손상된 기기의 부품은 전동공구를 다시 사용하기 전에 반드시 수리를 맡기십시오. 제대로 관리하지 않은 전동공구의 경우 많은 사고를 유발합니다.
- ▶ 절단 공구를 날카롭고 깨끗하게 관리하십시오. 날카로운 절단면이 있고 잘 관리된 절단공구는 걸리는 경우가 드물고 조절하기도 쉽습니다.
- ▶ 전동공구, 액세서리, 장착하는 공구 등을 사용할 때, 이 지시 사항과 특별히 기종 별로 나와있는 사용 방법을 준수하십시오. 이때 작업 조건과 실시하려는 작업 내용을 고려하십시오. 원래 사용 분야가 아닌 다른 작업에 전동공구를 사용할 경우 위험한 상황을 초래할 수 있습니다.
- ▶ 손잡이 및 잡는 면을 건조하게 유지하고, 오일 및 그리스가 묻어 있지 않도록 깨끗하게 하십시오. 손잡이 또는 잡는 면이 미끄러우면 예상치 못한 상황에서 안전한 취급 및 제어가 어려워집니다.

### 서비스

- ▶ 전동공구 수리는 반드시 전문 인력에게 맡기고, 수리 정비 시 보쉬 순정 부품만을 사용하십시오. 그렇게 함으로써 기기의 안전성을 오래 유지할 수 있습니다.

### 그라인더 관련 안전 수칙

- ▶ 본 전동공구는 건식 작업에만 사용하십시오. 전동공구에 물이 들어가면 감전될 위험이 높습니다.
- ▶ 주의 화재위험! 가공물과 그라인더가 과열되지 않도록 하십시오. 작업을 중단하기 전에 항상 먼지 용기를 비우십시오. 먼지백, 마이크로 필터, 종이백 (또는 필터 주머니 또는 집진기의 필터)에 있는 그라인딩 분진은 금속 그라인딩 작업 시 불꽃을 발생시키거나 자체적으로 점화될 수 있습니다. 특히 그라인딩 분진이 페인트 잔여물, 폴리우레탄 잔여물 또는 기타 화확물질과 섞이고, 오랜 작업 후 가공물이 뜨거워진 상황에서는 훨씬 위험합니다.
- ▶ 전동공구의 통풍구를 정기적으로 깨끗이 닦으십시오. 모터 팬이 하우징 안으로 분진을 끌어들이며, 금속 분진이 많이 쌓이면 전기적인 위험을 야기할 수 있습니다.
- ▶ 작업물을 잘 고정하십시오. 고정장치나 기계 바이스에 끼워서 작업하면 손으로 잡는 것보다 더 안전합니다.
- ▶ 전동공구를 내려놓기 전에 기기가 완전히 멈추었는지 확인하십시오.

## 제품 및 성능 설명



**모든 안전 수칙과 지침을 숙지하십시오.**  
다음의 안전 수칙과 지침을 준수하지 않으면 화재 위험이 있으며 감전 혹은 중상을 입을 수 있습니다.

사용 설명서 앞 부분에 제시된 그림을 확인하십시오.

### 규정에 따른 사용

본 전동공구는 목재, 플라스틱, 금속, 충전물 그리고 각종 도장된 표면에 건식 샌딩 작업을 하는 데 사용해야 합니다.

### 제품의 주요 명칭

제품의 주요 명칭에 표기되어 있는 번호는 기기 그림이 나와있는 면을 참고하십시오.

- (1) 전원 스위치

- (2) 분진 박스 전체 (마이크로 필터 시스템) (GSS 1400 A)
- (3) 뒤쪽 고정 장치 받침대
- (4) 샌딩판
- (5) 클램핑 브래킷 (2x)
- (6) 샌딩 페이퍼<sup>a)</sup>
- (7) 앞쪽 고정 장치 받침대
- (8) 손잡이 (절연된 손잡이 부위)(GSS 1400 A의 경우만 소프트 그림)
- (9) 송풍구 (GSS 1400 A)
- (10) 필터 (마이크로 필터 시스템)(GSS 1400 A)
- (11) 흡입 호스<sup>a)</sup>
- (12) 구멍 펀칭기<sup>a)</sup>

a) 도면이나 설명서에 나와있는 액세서리는 표준 공급품에 속하지 않습니다. 전체 액세서리는 저희 액세서리 프로그램을 참고하십시오.

### 제품 사양

오비탈 샌더		GSS 1400	GSS 1400 A
제품 번호		3 601 BA2 0..	3 601 BA2 1..
소비 전력	W	180	180
무부하 속도	min <sup>-1</sup>	12000	12000
무부하 진동수	min <sup>-1</sup>	24000	24000
진동 직경	mm	1.6	1.6
샌딩 페이퍼 크기			
- 접착 방식	mm	115 x 107	115 x 107
- 클램핑	mm	115 x 140	115 x 140
샌딩판 크기	mm	110 x 100	110 x 100
EPTA-Procedure 01:2014에 따른 중량	kg	1.3	1.4
보호 등급		□/	□/

자료는 정격 전압 [U] 230 V를 기준으로 한 것입니다. 전압이 다른 경우 및 국가별 사양에 따라 변동이 있을 수 있습니다.

## 조립

- ▶ 전동공구를 보수 정비하기 전에 반드시 콘센트에서 전원 플러그를 빼십시오.

### 샌딩 페이퍼 교환하기

새로운 샌딩 페이퍼를 끼우기 전에 브러시 등을 이용해 샌딩판 (4) 의 이물질 및 분진을 제거하십시오.

효과적으로 분진을 제거하기 위해서는 샌딩 페이퍼의 구멍과 샌딩판의 구멍이 일치해야 합니다.

#### 비접착식 샌딩 페이퍼 (그림 A-C 참조)

- ① 양쪽 클램핑 브래킷 (5) 을 고정 장치에서 풀어 내어 아래쪽으로 방향을 돌리십시오.
- ② 샌딩 페이퍼 (6) 를 뒤쪽 고정 장치 받침대 (3) 아래에서 끼우십시오. 샌딩 페이퍼 (6) 가 너무 짧지 않고 제대로 고정되었는지 확인하십시오. 클램핑 브래킷 (5) 을 다시 초기 위치로 돌린 후 그 위치에서 고정시키십시오.

- ③ 딱딱한 상태의 샌딩 페이퍼를 샌딩판 (4) 주위에 두십시오. 샌딩 페이퍼의 앞쪽 부분을 앞쪽 고정 장치 받침대 (7) 아래에서 고정시키십시오. 샌딩 페이퍼 (6) 가 너무 짧지 않고 제대로 고정되었는지 확인하십시오. 클램핑 브래킷 (5) 을 다시 초기 위치로 돌린 후 그 위치에서 고정시키십시오.

말려 있는 제품 또는 미터로 파는 제품 등의 구멍이 없는 샌딩 페이퍼를 분진 흡입을 위해 구멍 펀칭기 (12) 를 사용하여 구멍을 뚫을 수 있습니다. 이를 위해 샌딩 페이퍼가 장착된 전동공구를 구멍 펀칭기 쪽으로 누르십시오 (그림 F 참조).

샌딩 페이퍼 (6) 를 분리하려면 양쪽 클램핑 브래킷 (5) 을 풀고 고정부에서 샌딩 페이퍼를 당겨내십시오.

#### 벨크로 접착식 샌딩 페이퍼

샌딩판 (4) 의 표면이 벨크로 조직으로 되어있는 경우, 샌딩 페이퍼를 쉽고 간단히 고정할 수 있습니다.

최적으로 정착되도록 하려면 샌딩 페이퍼 (6) 를 끼우기 전에 샌딩판 (4) 의 벨크로 받침판을 살짝 두드려 찌꺼기 등을 제거하여 주십시오.

샌딩 페이퍼 (6) 를 샌딩판 (4) 한쪽 면의 가장자리에 맞춰 샌딩판 위에 놓은 후 잘 눌러 주십시오.

샌딩 페이퍼 (6) 를 분리하려면, 샌딩판 (4) 에서 페이퍼 한쪽 끝을 잡고 당겨 빼십시오.

**샌딩 페이퍼의 선택**

작업하려는 소재와 표면의 깎임 정도에 따라 다양한 샌딩 페이퍼가 있습니다:

		입자 크기	
<b>red:Wood</b>		40 - 240	
<b>전체 목재 작업용</b>			
초벌 샌딩 작업용 (예: 대패질 전 기본 의 거친 들보 및 널빤지)	기본	40, 60	
작고 고르지 않은 부위에 매끄럽게 연마하거나 고르게 연마할 때	중	80, 120	
경질 목재에 최종 미세 연마 작업용	미세	180, 240	
<b>white:Paint</b>		40 - 240	
<b>페인트/에나멜 도장표면, 초벌칠, 혼합재 등에 작업할 때</b>			
페인트 연마 작업용	기본	40, 60	
초벌칠에 샌딩 작업용	중	80, 120	
도장하기 전 프라이머에 최종 연마 작업용	미세	180, 240	

**분진 및 톱밥 추출장치**

납 성분을 포함한 페인트나 몇몇 나무 종류, 또는 광물 성분 그리고 철과 같은 재료의 분진은 건강을 해칠 수 있습니다. 이 분진을 만지거나 호흡할 경우, 사용자나 주변 사람들이 알레르기 반응이나 호흡기 장애를 일으킬 수 있습니다.

떡갈나무나 너도밤나무와 같은 특정한 분진은 암을 유발시키며, 특히 목재 처리용으로 사용되는 부가 원료 (크로마트, 목재 보호제)와 혼합되면 암을 유발시키게 됩니다. 석면 성분을 포함한 재료는 전문가만 작업할 수 있습니다.

- 가능하면 작업을 소재에 적당한 분진 추출장치를 사용하십시오.
- 작업장의 통풍이 잘 되도록 하십시오.
- 필터등급 P2가 장착된 호흡 마스크를 사용하십시오.

작업용 재료에 관해 국가가 지정한 규정을 고려하십시오.

▶ **작업장에 분진이 쌓이지 않도록 하십시오.** 분진이 쉽게 발화할 수 있습니다.

**분진 박스를 통한 자체 분진 처리(그림 D1-D4 참조)(GSS 1400 A)**

분진 박스 세트 (2) 를 연결 부위 (9) 쪽으로 미십시오.

분진 박스 (2) 가 투명한 용기로 되어있어 분진의 수위 상태를 쉽게 확인할 수 있습니다.

분진 박스 (2) 를 비우려면 박스를 뒤쪽으로 약간 돌려 빼내십시오.

필터 (10) 를 분진 박스 세트 (2) 에서 분리하십시오. 분진 박스를 비워내십시오.

필터 (10) 를 단단한 바닥에 가볍게 두드려 분진을 털어 내십시오. 필터 (10) 의 걸면을 부드러운 솔로 깨끗이 닦으십시오.

**지침:** 효과적으로 분진을 제거하기 위해서는 분진 박스 (2) 를 적시에 비워주고 정기적으로 필터 (10) 를 깨끗이 청소해 주어야 합니다.

수직면에 작업할 때 분진 박스 (2) 가 아래로 향하도록 전동공구를 잡으십시오.

**외부 분진 처리(그림 E 참조)(GSS 1400 A)**

흡입 호스 (11) (별매 액세서리)를 연결 부위 (9) 에 끼우십시오. 흡입 호스 (11) 를 진공 청소기(별매 액세서리)에 연결하십시오.

진공 청소기는 작업하는 소재에 적당한 것이어야 합니다.

특히 건강에 유해한 발암성 혹은 건조한 분진을 처리해야 할 경우에는 특수한 청소기를 사용해야 합니다.

수직면에 작업할 때 흡입 호스가 아래로 향하도록 전동공구를 잡으십시오.

**작동**

**기계 시동**

▶ **전원의 전압에 유의하십시오! 공급되는 전원의 전압은 전동공구의 명판에 표기된 전압과 동일해야 합니다. 230 V 로 표시된 전동공구는 220 V 에서도 작동이 가능합니다.**

**전원 스위치 작동**

▶ **손잡이에서 손을 떼지 않고 전원 스위치를 작동할 수 있는지 확인하십시오.**

전동공구의 전원을 켜려면 전원 스위치 (1) 를 우측 “I” 위치로 기울이십시오.

전동공구의 전원을 끄려면 전원 스위치 (1) 를 좌측 “O” 위치로 기울이십시오.

**사용 방법**

▶ **전동공구를 내려놓기 전에 기기가 완전히 멈추었는지 확인하십시오.**

샌딩 작업의 성공 여부는 샌딩 페이퍼의 선택에 달려 있는 경우가 많습니다.

아무런 하자가 없는 샌딩 페이퍼를 사용해야 훌륭한 샌딩 작업 결과를 얻을 수 있고 전동공구를 보호할 수 있습니다.

일정한 압력으로 작업을 하면 샌딩 페이퍼의 수명을 연장할 수 있습니다.

지나치게 눌러 작업을 하면, 샌딩 효과가 좋아지는 것이 아니라 전동공구와 샌딩 페이퍼가 더 빨리 소모됩니다.

금속 소재에 사용했던 샌딩 페이퍼를 다른 소재에 사용해서는 안 됩니다.

**Bosch** 순정 샌딩 액세서리만 사용하십시오.

## 보수 정비 및 서비스

### 보수 정비 및 유지

- ▶ 전동공구를 보수 정비하기 전에 반드시 콘센트에서 전원 플러그를 빼십시오.
- ▶ 안전하고 올바른 작동을 위하여 전동공구와 전동공구의 동풍구를 항상 깨끗이 하십시오.

연결 코드를 교환해야 할 경우 안전을 기하기 위해 **Bosch** 또는 **Bosch** 지정 전동공구 서비스 센터에 맡겨야 합니다.

### AS 센터 및 사용 문의

AS 센터에서는 귀하 제품의 수리 및 보수정비, 그리고 부품에 관한 문의를 받고 있습니다. 대체 부품에 관한 분해 조립도 및 정보는 인터넷에서도 찾아볼 수 있습니다 - [www.bosch-pt.com](http://www.bosch-pt.com)  
보수 사용 문의 팀에서는 보수의 제품 및 해당 액세서리에 관한 질문에 기꺼이 답변 드릴 것입니다. 문의나 대체 부품 주문 시에는 반드시 제품 네임 플레이트에 있는 10자리의 부품번호를 알려 주십시오.

콜센터  
080-955-0909

다른 AS 센터 주소는 아래 사이트에서 확인할 수 있습니다:

[www.bosch-pt.com/serviceaddresses](http://www.bosch-pt.com/serviceaddresses)

### 처리

기기와 액세서리 및 포장 등은 환경 친화적인 방법으로 재생할 수 있도록 분류하십시오.



전동공구를 가정용 쓰레기로 처리하지 마십시오!

## ไทย

### คำเตือนเพื่อความปลอดภัย

#### คำเตือนเพื่อความปลอดภัยทั่วไปสำหรับเครื่องมือไฟฟ้า

**⚠ คำเตือน** อ่านคำเตือนเพื่อความปลอดภัย คำแนะนำ ภาพประกอบ และข้อมูล

จำเพาะทั้งหมดที่จัดส่งมาพร้อมกับเครื่องมือไฟฟ้า

การไม่ปฏิบัติตามคำแนะนำทั้งหมดที่ระบุไว้ด้านล่างนี้อาจทำให้ถูกไฟฟ้าดูด เกิดไฟไหม้ และ/หรือได้รับบาดเจ็บอย่างร้ายแรง

**เก็บรักษา ค่าเตือน และ คำสั่ง ทั้งหมด สำหรับ เปิดอ่าน ใน ภาย หลัง**

คำว่า "เครื่องมือไฟฟ้า" ในคำเตือนหมายถึง เครื่องมือไฟฟ้าของท่านที่ทำงานด้วยพลังงานไฟฟ้าจากแหล่งจ่ายไฟหลัก (มีสายไฟฟ้า) และเครื่องมือไฟฟ้าที่ทำงานด้วยพลังงานไฟฟ้าจากแบตเตอรี่ (ไร้สาย)

#### ความปลอดภัยในสถานที่ทำงาน

- ▶ **รักษาสถานที่ทำงานให้สะอาดและมีไฟส่องสว่างดี**  
สถานที่ที่มีมืดหรือกรงรังนามาซึ่งอุบัติเหตุ
- ▶ **อย่าใช้เครื่องมือไฟฟ้าทำงานในสภาพบรรยากาศที่จุดติดไฟได้ เช่น ในที่ที่มีของเหลวไวไฟ ก๊าซ หรือฝุ่น**  
เมื่อใช้เครื่องมือไฟฟ้าจะเกิดประกายไฟซึ่งอาจจุดฝุ่นหรือไอให้ลุกไหม้ไฟได้
- ▶ **ขณะใช้เครื่องมือไฟฟ้าทำงาน ต้องกันเด็กและผู้ยืนดูให้ออกห่าง**  
การหันเหความสนใจอาจทำให้ท่านขาดการควบคุมเครื่องมือได้

#### ความปลอดภัยเกี่ยวกับไฟฟ้า

- ▶ **ปลั๊กของเครื่องมือไฟฟ้าต้องเหมาะสมกับเต้าเสียบ**  
อย่าตัดแปลงปลั๊กไม่ว่าในลักษณะใดๆ อย่างเด็ดขาด  
อย่าใช้ปลั๊กฟ่วงต่อใดๆ กับเครื่องมือไฟฟ้าที่มีสายดิน  
ปลั๊กที่ไม่ตัดแปลงและเต้าเสียบที่เข้ากันช่วยลดความเสี่ยงจากการถูกไฟฟ้าดูด
- ▶ **หลีกเลี่ยงอย่าให้ร่างกายสัมผัสกับพื้นผิวที่ต่อสายดินหรือลงกราวด์ไว้ เช่น ท่อ เครื่องทำความร้อน เต้า และตู้เย็น**  
จะเสี่ยงอันตรายจากการถูกไฟฟ้าดูดมากขึ้นหากกระแสไฟฟ้าวิ่งผ่านร่างกายของท่านลงดิน
- ▶ **อย่าให้เครื่องมือไฟฟ้าถูกฝนหรืออยู่ในสภาพเปียกชื้น**  
หากน้ำเข้าในเครื่องมือไฟฟ้า จะเพิ่มความเสี่ยงจากการถูกไฟฟ้าดูด
- ▶ **อย่าใช้สายไฟฟ้าในทางที่ผิด** อย่าใช้สายไฟฟ้าเพื่อยก ดึง หรือถอดปลั๊กเครื่องมือไฟฟ้า กันสายไฟฟ้าออกจากความรอน น้ำมัน ขอบแหลมคม หรือชิ้นส่วนที่เคลื่อนที่ สายไฟฟ้าที่ชำรุดหรือพันกันยุ่งเพิ่มความเสี่ยงจากการถูกไฟฟ้าดูด
- ▶ **เมื่อใช้เครื่องมือไฟฟ้าทำงานกลางแจ้ง ให้ใช้สายไฟ**  
ต่อที่เหมาะสมสำหรับการใช้งานกลางแจ้ง การใช้สายไฟต่อที่เหมาะสมสำหรับงานกลางแจ้ง ช่วยลดอันตรายจากการถูกไฟฟ้าดูด



- ▶ หากไม่สามารถหลีกเลี่ยงการใช้เครื่องมือไฟฟ้าทำงานในสถานที่เปียกชื้นได้ ให้ใช้สวิตช์ตัดวงจรเมื่อเกิดการรั่วไหลของไฟฟ้าจากสายดิน (RCD) การใช้สวิตช์ตัดวงจรเมื่อเกิดการรั่วไหลของไฟฟ้าจากสายดินช่วยลดความเสี่ยงต่อการถูกไฟฟ้าดูด

#### ความปลอดภัยของบุคคล

- ▶ ท่านต้องอยู่ในสภาพเตรียมพร้อม ระมัดระวังในสิ่งที่ท่านกำลังทำอยู่ และมีสติขณะใช้เครื่องมือไฟฟ้าทำงาน อย่าใช้เครื่องมือไฟฟ้าขณะที่ท่านกำลังเหนื่อย หรืออยู่ภายใต้การครอบงำของฤทธิ์ของยาเสพติด แอลกอฮอล์ และยา เมื่อใช้เครื่องมือไฟฟ้าทำงานในชั้นเวลาที่ท่านขาดความเอาใจใส่อาจทำให้บุคคลบาดเจ็บอย่างรุนแรงได้
- ▶ ใช้อุปกรณ์ป้องกันร่างกาย สวมแว่นตาป้องกันเสมอ อุปกรณ์ปกป้อง เช่น หน้ากากกันฝุ่น รองเท้ากันลื่น หมวกแข็ง หรืออุปกรณ์ป้องกันเสียงดังที่เข้าตามความเหมาะสมกับสภาพการทำงาน จะลดการบาดเจ็บทางร่างกาย
- ▶ ป้องกันการติดเครื่องโดยไม่ตั้งใจ ตรวจสอบให้แน่ใจว่าสวิตช์อยู่ในตำแหน่งปิดก่อนเชื่อมต่อกับแหล่งจ่ายไฟ และ/หรือเบรกเกอร์เฟสค์ ยกหรือถือเครื่องมือถือเครื่องโดยใช้นิ้วหัวที่สวิตช์ หรือเสียบปลั๊กไฟฟ้ายกสวิตช์เปิดอยู่ อาจนำไปสู่อุบัติเหตุที่ร้ายแรงได้
- ▶ นำเครื่องมือปรับแต่งหรือประแจปากคายนอกก่อนเปิดสวิตช์เครื่องมือไฟฟ้า เครื่องมือหรือประแจปากคายนที่วางอยู่กับส่วนของเครื่องที่กำลังหมุนจะทำให้บุคคลบาดเจ็บได้
- ▶ อย่าเอื้อมไกลเกินไป ตั้งทำขึ้นที่มั่นคงและวางน้ำหนักให้สมดุลตลอดเวลา ในลักษณะนี้ท่านสามารถควบคุมเครื่องมือไฟฟ้าในสถานการณ์ที่ไม่คาดคิดได้ดีกว่า
- ▶ แต่งกายอย่างเหมาะสม อย่าใส่เสื้อผ้าหลวมหรือสวมเครื่องประดับ เข็มและเสื้อผ้าออกห่างจากชิ้นส่วนที่เคลื่อนที่ เสื้อผ้าหลวม เครื่องประดับ และผมยาวอาจเข้าไปติดในชิ้นส่วนที่เคลื่อนที่
- ▶ หากเครื่องมือไฟฟ้ามีข้อเชื่อมต่อกับเครื่องดูดฝุ่นหรือเครื่องเก็บผง ให้ตรวจสอบให้แน่ใจว่าได้เชื่อมต่อและใช้งานอย่างถูกต้อง การใช้อุปกรณ์ดูดฝุ่นช่วยลดอันตรายที่เกิดจากฝุ่นได้
- ▶ เมื่อใช้งานเครื่องมือบ่อยครั้งจะเกิดความคุ้นเคย อย่าให้ความคุ้นเคยทำให้ท่านเกิดความชะล่าใจและละเลยกฎเกณฑ์ด้านความปลอดภัยในการใช้งานเครื่อง การทำงานอย่างไม่มีระมัดระวังอาจทำให้เกิดการบาดเจ็บอย่างร้ายแรงภายในเสี้ยววินาที

#### การใช้และการดูแลรักษาเครื่องมือไฟฟ้า

- ▶ อย่างผินกำลังเครื่องมือไฟฟ้า ใช้เครื่องมือไฟฟ้าที่ถูกตั้งตรงตามลักษณะงานของท่าน เครื่องมือไฟฟ้าที่ถูกตั้งจะทำงานได้ดีกว่าและปลอดภัยกว่าในระดับสมรรถภาพที่ออกแบบไว้
- ▶ อย่าใช้เครื่องมือไฟฟ้าถ้าสวิตช์ไม่สามารถเปิดปิดได้ เครื่องมือไฟฟ้าที่ไม่สามารถควบคุมการเปิดปิดด้วยสวิตช์ได้ เป็นเครื่องมือไฟฟ้าที่ไม่ปลอดภัยและต้องส่งซ่อมแซม
- ▶ ก่อนปรับแต่งเครื่อง เปลี่ยนอุปกรณ์ประกอบ หรือเก็บเครื่องเข้าที่ ต้องถอดปลั๊กออกจากเครื่องมือไฟฟ้าหากถอดออกได้ มาตรการป้องกันเพื่อความปลอดภัยนี้ช่วยลดความเสี่ยงจากการติดเครื่องโดยไม่ตั้งใจ
- ▶ เมื่อเลิกใช้งานเครื่องมือไฟฟ้า ให้เก็บเครื่องไว้ในที่ที่เด็กหยิบไม่ถึง และไมอนุญาตให้บุคคลที่ไม่คุ้นเคยกับเครื่องหรือบุคคลที่ไม่ได้อ่านคำแนะนำเหล่านี้ใช้เครื่อง เครื่องมือไฟฟ้าเป็นของอันตรายหากตกอยู่ในมือของผู้ใช้ที่ไม่ได้รับการฝึกฝน
- ▶ บำรุงรักษาเครื่องมือไฟฟ้าและอุปกรณ์ประกอบ ตรวจสอบชิ้นส่วนที่เคลื่อนที่ที่วางไม่ตรงแนวหรือติดขัดหรือไม่ ตรวจสอบการแตกหักของชิ้นส่วนและสภาพอื่นใดที่อาจมีผลต่อการทำงานของเครื่องมือไฟฟ้า หากชำรุดต้องส่งเครื่องมือไฟฟ้าไปซ่อมแซมก่อนใช้งาน อุบัติเหตุหลายอย่างเกิดขึ้นเนื่องจากดูแลรักษาเครื่องไม่ดีพอ
- ▶ รักษาเครื่องมือตัดให้คมและสะอาด หากบำรุงรักษาเครื่องมือที่มีขอบตัดแหลมคมอย่างถูกต้อง จะสามารถตัดได้ลื่นไม่ติดขัดและควบคุมได้ง่ายกว่า
- ▶ ใช้เครื่องมือไฟฟ้า อุปกรณ์ประกอบ เครื่องมือ และอุปกรณ์อื่นๆ ตรงตามคำแนะนำเหล่านี้ โดยคำนึงถึงเงื่อนไขการทำงานและงานที่จะทำ การใช้เครื่องมือไฟฟ้าทำงานที่ต่างไปจากวัตถุประสงค์การใช้งานของเครื่อง อาจนำไปสู่สถานการณ์ที่เป็นอันตรายได้
- ▶ ดูแลตามจับและพื้นผิวจับให้แห้ง สะอาด และปราศจากคราบน้ำมันและจาระบี ตามจับและพื้นผิวจับที่ลื่นทำให้หยิบจับได้ไม่ปลอดภัย และไม่สามารถควบคุมเครื่องมือในสถานการณ์ที่ไม่คาดคิด

#### การบริการ

- ▶ ส่งเครื่องมือไฟฟ้าของท่านเข้ารับบริการจากช่างซ่อมที่มีคุณสมบัติเหมาะสม โดยใช้ขอใบที่เหมือนกันเท่านั้น ในลักษณะนี้ท่านจะแน่ใจได้ว่าเครื่องมือไฟฟ้าอยู่ในสภาพที่ปลอดภัย



## คำเตือนเพื่อความปลอดภัยสำหรับเครื่องขัด

- ▶ **ใช้เครื่องมือไฟฟ้าสำหรับการขัดแห้งเท่านั้น**  
หากน้ำเข้าไปในเครื่องมือไฟฟ้า จะเพิ่มความเสี่ยงต่อการถูกไฟฟ้าดูด
- ▶ **ระวังอันตรายจากไฟไหม้! หลีกเลี่ยงการทำให้อุณหภูมิสูงขึ้น**  
งานและเครื่องขัดร้อนเกินไป ถ่ายผงออกจากกล่องเก็บผงก่อนทำงานทุกครั้ง ในสถานการณ์ที่ไม่เหมาะสม ต. ย. เช่น เมื่อเกิดประกายไฟขณะขัดโลหะ เศษผงที่ได้จากการขัดที่อยู่ในถุงเก็บผง เครื่องกรองไมโคร หรือถุงกระดาษ (หรือในถุงกรอง หรือตัวกรองของเครื่องดูดฝุ่น) อาจจุดลุกเป็นไฟขึ้นเองได้ จะเป็นอันตรายอย่างยิ่งเมื่อเมื่อเศษผงผสมปนกับเศษสารเคลือบเงา เศษโพลียูรีเทน หรือเศษวัสดุเคมีอื่นๆ และเมื่อเศษผงขัดเกิดการขึ้นชั้นหลังจากใช้เครื่องทำงานเป็นเวลานาน
- ▶ **ทำความสะอาดช่องระบายอากาศของเครื่องมือไฟฟ้าอย่างสม่ำเสมอ** พัดลมของมอเตอร์จะดูดผงฝุ่นเข้าไปในหม้อครอบ และผงโลหะที่พอกสะสมกันมากๆ อาจทำให้เกิดอันตรายจากไฟฟ้าได้
- ▶ **ยึดชิ้นงานให้แน่น** การยึดชิ้นงานด้วยเครื่องหนีบหรือแท่นจับจะมั่นคงกว่าการยึดด้วยมือ
- ▶ **รอให้เครื่องมือไฟฟ้าหยุดนิ่งอยู่กับที่ทุกครั้ง**  
ก่อนวางเครื่องลงบนพื้น

## รายละเอียดผลิตภัณฑ์และข้อมูล

### จำเพาะ



**อ่านคำเตือนเพื่อความปลอดภัยและคำแนะนำทั้งหมด** การไม่ปฏิบัติตามคำเตือนและคำสั่งอาจเป็นสาเหตุให้ถูกไฟฟ้าดูด เกิดไฟไหม้ และ/หรือได้รับบาดเจ็บอย่างร้ายแรง

### ข้อมูลทางเทคนิค

เครื่องขัดสันสะเทือน		GSS 1400	GSS 1400 A
หมายเลขสินค้า		3 601 BA2 0..	3 601 BA2 1..
กำลังไฟฟ้ากักตักเข้า	วัตต์	180	180
ความเร็วรอบเดินตัวเปล่า	นาที <sup>1</sup>	12000	12000
อัตราแกว้างสันสะเทือนเดินตัวเปล่า	นาที <sup>1</sup>	24000	24000
ระยะเหวี่ยง	มม.	1.6	1.6
ขนาดกระดาษทราย			
- ติดด้วยตีนตุ๊กแก	มม.	115 x 107	115 x 107
- การยึดติดด้วยการหนีบ	มม.	115 x 140	115 x 140
ขนาดแผ่นฐานขัด	มม.	110 x 100	110 x 100

กรุณาดูภาพประกอบในส่วนหน้าของคู่มือการใช้งาน

## ประโยชน์การใช้งานของเครื่อง

เครื่องมือไฟฟ้านี้ใช้สำหรับขัดแห้งบนไม้ พลาสติก โลหะ วัสดุอุดแทรก และผิวเคลือบเงา

## ส่วนประกอบที่แสดงภาพ

ลำดับเลขของส่วนประกอบผลิตภัณฑ์อ้างอิงถึงส่วนประกอบของเครื่องที่แสดงในหน้าภาพประกอบ

- (1) สวิตช์เปิด-ปิด
- (2) กล่องเก็บผง สมบูรณ์แบบ (Microfilter System) (ระบบไมโครฟิลเตอร์) (GSS 1400 A)
- (3) ก้านหนีบท้าย
- (4) แผ่นฐานขัด
- (5) แขนหนีบ (2x)
- (6) กระดาษทราย<sup>a)</sup>
- (7) ก้านหนีบหน้า
- (8) ด้ามจับ (พื้นผิวด้ามจับหมุนวน) (ด้ามจับนุ่มเฉพาะรุ่น GSS 1400 A)
- (9) ช่องรองรับไอเสีย (GSS 1400 A)
- (10) ไส้กรอง (Microfilter System) (GSS 1400 A)
- (11) ท่อดูดฝุ่น<sup>a)</sup>
- (12) เครื่องมือเจาะรู<sup>a)</sup>

a) อุปกรณ์ประกอบที่แสดงภาพหรืออธิบายไม่รวมอยู่ในการจัดส่งมาตรฐาน  
กรุณาดูอุปกรณ์ประกอบทั้งหมดในรายการแสดงอุปกรณ์ประกอบของเรา

เครื่องขัดสันสะเทือน		GSS 1400	GSS 1400 A
น้ำหนักตามระเบียบการ EPTA-Procedure 01:2014	กก.	1.3	1.4
ระดับความปลอดภัย		□/II	□/II

ค่าที่ใช้ได้กับแรงดันไฟฟ้าอนินอล [U] 230 โวลต์ค่าเหล่านี้อาจเปลี่ยนแปลงไปสำหรับแรงดันไฟฟ้าที่แตกต่างกันและโมเดลที่ผลิตสำหรับเฉพาะประเทศ

## การติดตั้ง

### ▶ ดึงปลั๊กไฟออกจากเต้าเสียบก่อนปรับแต่งเครื่อง

#### การเปลี่ยนกระดาษทราย

ก่อนใส่กระดาษทรายแผ่นใหม่ ให้เอาสิ่งสกปรกและฝุ่นออกจากแผ่นฐาน (4) ต. ย. เช่น โดยใช้แปรงปัด เพื่อดูดฝุ่นออกให้ได้ดีที่สุด ต้องเอาใจใส่ดูให้รูเจาะในกระดาษทรายตรงกับรูในแผ่นฐานชุด

#### กระดาษทรายชนิดไม่มีตีนตุ๊กแก (คุณภาพประกอบ A - C)

- 1 คลายแขนหนีบทั้งสอง (5) ออกจากตัวล็อกแล้วหมุนลง
- 2 สอดปลายกระดาษทราย (6) เข้าได้ก้านหนีบหลัง (3) ตรวจสอบให้แน่ใจว่ากระดาษทราย (6) ถูกหนีบอยู่ตรงกลางและไม่ลั่นจนเกินไป หมุนแขนหนีบ (5) เข้าไปในตำแหน่งเริ่มต้นแล้วล็อกไว้
- 3 ทาบกระดาษทรายให้ตั้งรอบแผ่นฐานชุด (4) หนีบส่วนต้นของกระดาษทรายได้แถบจับยึดด้านหน้า (7) ให้แน่น ตรวจสอบให้แน่ใจว่ากระดาษทราย (6) ถูกหนีบอยู่ตรงกลางและไม่ลั่นจนเกินไป หมุนแขนหนีบ (5) เข้าไปในตำแหน่งเริ่มต้นแล้วล็อกไว้

ท่านสามารถนำกระดาษทรายที่ไม่มีรู ต. ย. เช่น กระดาษทรายที่จำหน่ายเป็นม้วนหรือเป็นเมตรมาเจาะรูด้วยเครื่องมือเจาะรู (12) เพื่อดูดฝุ่นออกสำหรับการเจาะรู ให้จับเครื่องมือไฟฟ้าที่ประกอบกระดาษทรายแล้วกดลงบนเครื่องมือเจาะรู (ดูภาพประกอบ F)

เมื่อต้องการเอากระดาษทราย (6) ออก ให้ปลดแขนหนีบ (5) และดึงกระดาษทรายออกจากตัวยึด

#### กระดาษทรายที่มีตีนตุ๊กแก

หากมีแผ่นฐานชุด (4) มีตีนตุ๊กแกติดตั้งอยู่ คุณสามารถติดตั้งกระดาษทรายที่มีตีนตุ๊กแกได้สะดวกและรวดเร็ว

เคาะตีนตุ๊กแกของแผ่นฐานชุด (4) ก่อนติดตั้งกระดาษทราย (6) เพื่อให้ยึดเกาะได้ดีที่สุด

ทาบกระดาษทราย (6) ให้เสมอกับขอบด้านหนึ่งของแผ่นฐานชุด (4) จากนั้นจึงปูกกระดาษทรายไปบนแผ่นฐานชุดและกดให้แน่น

เมื่อต้องการถอดกระดาษทราย (6) ออก ให้จับตรงปลายด้านใดด้านหนึ่งของกระดาษทรายและดึงกระดาษทรายออกจากแผ่นฐานชุด (4)

#### การเลือกกระดาษทราย

ท่านสามารถเลือกใช้กระดาษทรายชนิดต่างๆ กัน ตามประเภทวัสดุชิ้นงาน และตามความหนาบางของพื้นผิวที่ต้องการขัดออก:

	ขนาดเม็ด
<b>red:Wood</b>	40-240
<b>สำหรับขัดวัสดุที่หยาบไม่ทั้งหมด</b>	
สำหรับขัดหยาบ ต. ย. เช่น ไม้คานและ หยาบ	40, 60
แผ่นกระดาษที่ขรุขระไม่ราบเรียบ	
สำหรับขัดแต่งพื้นหน้าและปรับผิว	ปาน 80, 120
ขรุขระเล็กน้อยให้เรียบ	กลาง
สำหรับขัดสำเร็จและขัดละเอียดไม้เนื้อ ละเอียด	180,
แข็ง	240
<b>white:Paint</b>	40-240
<b>สำหรับขัดสี/ผิวเคลือบเงา หรือวัสดุรองพื้น และวัสดุอุดรู</b>	
สำหรับขัดสีออก	หยาบ 40, 60
สำหรับขัดสีรองพื้น	ปาน 80, 120
	กลาง
สำหรับขัดสีรองพื้นชั้นสุดท้ายก่อนเคลือบเงา	ละเอียด 180,
	240

#### การดูดฝุ่น/ขี้เลื่อย

ฝุ่นที่ได้จากวัสดุ เช่น เคลือบผิวที่มีสารตะกั่ว ไม้ยางประเภทเรซาดู และโลหะ อาจเป็นอันตรายต่อสุขภาพ การสัมผัสหรือการหายใจเอาฝุ่นเข้าไปอาจทำให้เกิดปฏิกิริยาแพ้ฝุ่น และ/หรือนำมาซึ่งโรคติดเชื้อระบบหายใจแก่ผู้ใช้เครื่องหรือผู้ที่ยืนอยู่ใกล้เคียง ฝุ่นบางประเภท เช่น ฝุ่นไม้โอ๊ก หรือไม้บีช นับเป็นสารที่ทำให้เกิดมะเร็ง โดยเฉพาะอย่างยิ่งเมื่อผสมกับสารเติมแต่งเพื่อบำบัดไม้ (โครเมต ผลิตภัณฑ์รักษาเนื้อไม้) สำหรับวัสดุที่มีแอลเบทอลต้องให้ผู้เชี่ยวชาญทำงานเท่านั้น

- ใช้ระบบดูดฝุ่นออกที่เหมาะสมกับประเภทวัสดุ มากเท่าที่จะทำได้
- จัดสถานที่ทำงานให้มีการระบายอากาศที่ดี
- ขอแนะนำให้สวมหมวกปกป้องกันการติดเชื้อที่มีระดับ-ใส่กรอง P2

ปฏิบัติตามกฎข้อบังคับสำคัญอื่นๆ ที่เกี่ยวกับวัสดุชิ้นงานที่บังคับใช้ในประเทศของท่าน

- ▶ **ป้องกันการสะสมของฝุ่นในสถานที่ทำงาน**  
ฝุ่นสามารถถูกใหม่อย่างง่ายตาย

#### การดูดฝุ่นในตัวด้วยกล่องเก็บผง (รูปภาพประกอบ D1-D4) (GSS 1400 A)

ติดตั้งกล่องเก็บผง (2) เข้าบนท่อระบายออก (9)

ท่านสามารถตรวจสอบระดับเต็มผงของกล่องเก็บผง (2) ผ่านสถานะบรรจุนิตไปรงใสได้อย่างง่ายดาย

เมื่อต้องการถ่ายผงออกจากกล่องเก็บผง (2) ให้ดึงกล่องออกไปทางด้านหลังโดยบิดเล็กน้อย

คลายเกลียวไส้กรอง (10) ออกจากกล่องเก็บฝุ่น (2) ถ่ายผงออกจากกล่องเก็บผง

เมื่อต้องการคลายผงออก ให้ตีหรือเคาะตัวกรอง (10)เบาๆบนพื้นผิวแข็งๆ ให้แปรงชนอ่อนทำความสะอาดครีบของตัวกรอง (10)

**หมายเหตุ:** เพื่อการดูดฝุ่นออกอย่างมีประสิทธิภาพ ต้องถ่ายผงออกจากกล่องเก็บผง (2) ให้ทันท่วงที และทำความสะอาดตัวกรอง (10) ตามช่วงเวลาเป็นประจำ  
เมื่อทำงานบนพื้นผิวตามแนวดิ่ง ต้องจับเครื่องมือไฟฟ้าในลักษณะให้กล่องเก็บผง (2) หันลงข้างล่าง

#### การดูดฝุ่นด้วยเครื่องดูดฝุ่นภายนอก (รูปภาพประกอบ E) (GSS 1400 A)

สวมข้อต่อท่อดูดออก (11) (อุปกรณ์เสริม) เข้าบนท่อระบายออก (9) เชื่อมต่อท่อดูดฝุ่น (11) เข้ากับเครื่องดูดฝุ่น (อุปกรณ์ประกอบ)

เครื่องดูดฝุ่นต้องมีลักษณะการใช้งานที่เหมาะสมกับประเภทวัสดุชิ้นงาน

ในกรณีดูดฝุ่นแห้งที่เป็นอันตรายต่อสุขภาพอย่างยิ่งหรืออาจก่อให้เกิดมะเร็งได้ ให้ใช้เครื่องดูดฝุ่นพิเศษ

เมื่อทำงานบนพื้นผิวตามแนวดิ่ง ต้องจับเครื่องมือไฟฟ้าในลักษณะให้ท่อดูดฝุ่นหันลงข้างล่าง

## การปฏิบัติงาน

### การเริ่มต้นปฏิบัติงาน

- ▶ **ให้สังเกตแรงดันไฟฟ้า! แรงดันไฟฟ้าจากแหล่งจ่ายไฟฟ้าต้องมีค่าตรงกับค่าแรง**

**ต้นไฟฟ้าที่ระบุไว้บนแผ่นป้ายพิกัดเครื่อง เครื่องมือไฟฟ้าที่มีเครื่องหมาย 230 โวลต์ สามารถใช้งานกับ 220 โวลต์ ได้ด้วย**

### การเปิด-ปิดเครื่อง

- ▶ **ตรวจสอบให้แน่ใจว่าท่านสามารถใช้งานสวิทช์เปิด-ปิดได้โดยไม่ต้องปล่อยคัมจับ**

**เปิดสวิทช์เครื่องมือไฟฟ้าโดยเอียงสวิทช์เปิด-ปิด (1) ไปทางขวาไปที่ตำแหน่ง "I"**

**ปิดสวิทช์เครื่องมือไฟฟ้าโดยเอียงสวิทช์เปิด-ปิด (1) ไปทางซ้ายไปที่ตำแหน่ง "O"**

### ข้อแนะนำในการทำงาน

- ▶ **รอให้เครื่องมือไฟฟ้าหยุดนิ่งอยู่กับที่ทุกครั้งก่อนวางเครื่องลงบนพื้น**

ความสามารถในการชัตตออกในระหว่างการชัต ส่วนใหญ่จะถูกกำหนดโดยการเลือกกระตาศพราย

กระตาศพรายสภาพที่เท่านั้นที่จะชัตได้มีประสิทธิภาพและช่วยยืดอายุการใช้งานของเครื่องมือไฟฟ้า

เอาใจใส่กดเครื่องลงบนชิ้นงานด้วยแรงกดที่ราบเรียบเสมอกันเพื่อยืดอายุการทำงานของกระตาศพราย

การใช้แรงกดลงมากเกินไปไม่ช่วยเพิ่มประสิทธิภาพการชัต แต่จะทำให้เครื่องมือไฟฟ้าและกระตาศพรายสึกหรอมากขึ้น กระตาศพรายที่ชัตโลหะไปแล้ว ไม่ควรนำมาชัตวัสดุประเภทอื่น

ใช้เฉพาะอุปกรณ์ชัตของแท้ **Bosch** เท่านั้น

## การบำรุงรักษาและการบริการ

### การบำรุงรักษาและการทำความสะอาด

- ▶ **ดึงปลั๊กไฟออกจากเต้าเสียบก่อนปรับแต่งเครื่อง**
- ▶ **เพื่อให้ทำงานได้อย่างถูกต้องและปลอดภัย ต้องรักษาเครื่องและช่องระบายอากาศให้สะอาดอยู่เสมอ**

หากจำเป็นต้องเปลี่ยนสายไฟฟ้า ต้องส่งเครื่องให้ **Bosch** หรือศูนย์บริการหลังการขายที่ได้รับมอบหมายสำหรับเครื่องมือไฟฟ้า **Bosch** เปลี่ยนให้ ทั้งนี้เพื่อหลีกเลี่ยงอันตราย

### การบริการหลังการขายและการให้คำปรึกษาการใช้งาน

ศูนย์บริการหลังการขายของเรายินดีตอบคำถามของท่านที่เกี่ยวกับการบำรุงรักษาและการซ่อมแซมผลิตภัณฑ์รวมทั้งเรื่องอะไหล่ ภาพเขียนแบบการประกอบและข้อมูลเกี่ยวกับอะไหล่ กรุณาดูใน: [www.bosch-pt.com](http://www.bosch-pt.com)

ที่โรงงานที่ปรึกษาของ บอช ยินดีให้ข้อมูลเกี่ยวกับผลิตภัณฑ์ของเราและอุปกรณ์ประกอบต่างๆ

เมื่อต้องการสอบถามและสั่งซื้ออะไหล่ กรุณาแจ้งหมายเลขสินค้า 10 หลักบนแผ่นป้ายรุ่นของผลิตภัณฑ์ทุกครั้ง

### ไทย

ไทย บริษัท โรเบิร์ต บอช จำกัด

เอฟวายไอ เซ็นเตอร์ อาคาร 1 ชั้น 5

เลขที่ 2525 ถนนพระราม 4

แขวงคลองเตย เขตคลองเตย กรุงเทพฯ 10110

โทร: +66 2012 8888

แฟกซ์: +66 2064 5800

www.bosch.co.th

ศูนย์บริการซ่อมและฝึกอบรม บอช

อาคาร ลาซาลทาวเวอร์ ชั้น G ห้องเลขที่ 2

บ้านเลขที่ 10/11 หมู่ 16

ถนนศรีนครินทร์ ตำบลบางแก้ว อำเภอบางพลี

จังหวัดสมุทรปราการ 10540

ประเทศไทย

โทรศัพท์ 02 7587555

โทรสาร 02 7587525

สามารถดูที่อยู่ศูนย์บริการอื่นๆ ได้ที่:

www.bosch-pt.com/serviceaddresses

### การกำจัดขยะ

เครื่องมือไฟฟ้า อุปกรณ์ประกอบ และที่บด ต้องนำไปแยกประเภทวัสดุเพื่อการรีไซเคิลที่เป็นมิตรต่อสิ่งแวดล้อม



อย่าทิ้งเครื่องมือไฟฟ้าลงในขยะบ้าน!

## Bahasa Indonesia

### Petunjuk Keselamatan

#### Petunjuk keselamatan umum untuk perkakas listrik

**⚠ PERINGATAN** Baca semua peringatan, petunjuk, ilustrasi, dan spesifikasi

keselamatan yang diberikan bersama perkakas listrik ini. Kesalahan dalam menjalankan petunjuk di bawah ini dapat mengakibatkan sengatan listrik, kebakaran, dan/atau cedera serius.

**Simpanlah semua peringatan dan petunjuk untuk penggunaan di masa mendatang.**

Istilah "perkakas listrik" dalam peringatan mengacu pada perkakas listrik yang dioperasikan dengan listrik (menggunakan kabel) atau perkakas listrik yang dioperasikan dengan baterai (tanpa kabel).

#### Keamanan tempat kerja

- ▶ **Jaga kebersihan dan pencahayaan area kerja.** Area yang berantakan atau gelap dapat memicu kecelakaan.
- ▶ **Jangan mengoperasikan perkakas listrik di lingkungan yang dapat memicu ledakan, seperti adanya cairan, gas, atau debu yang mudah terbakar.** Perkakas listrik dapat memancarkan bunga api yang kemudian mengakibatkan debu atau uap terbakar.
- ▶ **Jauhkan dari jangkauan anak-anak dan pengamat saat mengoperasikan perkakas listrik.** Gangguan dapat menyebabkan hilangnya kendali.

#### Keamanan listrik

- ▶ **Steker perkakas listrik harus sesuai dengan stopkontak. Jangan pernah memodifikasi steker. Jangan menggunakan steker adaptor bersama dengan perkakas listrik yang terhubung dengan sistem grounding.** Steker yang tidak dimodifikasi dan stopkontak yang cocok akan mengurangi risiko sengatan listrik.
- ▶ **Hindari kontak badan dengan permukaan yang terhubung dengan sistem grounding, seperti pipa, radiator, kompor, dan lemari es.** Terdapat peningkatan risiko terjadinya sengatan listrik jika badan Anda terhubung dengan sistem grounding.
- ▶ **Perkakas listrik tidak boleh terpapar hujan atau basah.** Air yang masuk ke dalam perkakas listrik menambah risiko terjadinya sengatan listrik.
- ▶ **Jangan menyalahgunakan kabel. Jangan gunakan kabel untuk membawa, menarik, atau melepas steker perkakas listrik. Jauhkan kabel dari panas, minyak, tepi yang tajam, atau komponen yang bergerak.** Kabel listrik yang rusak atau tersangkut menambah risiko terjadinya sengatan listrik.
- ▶ **Saat mengoperasikan perkakas listrik di luar ruangan, gunakan kabel ekstensi yang sesuai untuk penggunaan di luar ruangan.** Penggunaan kabel yang cocok untuk pemakaian di luar ruangan mengurangi risiko terjadinya sengatan listrik.
- ▶ **Jika perkakas listrik memang harus dioperasikan di tempat yang lembap, gunakan pemutus arus listrik residu (RCD).** Penggunaan RCD akan mengurangi risiko terjadinya sengatan listrik.

#### Keselamatan personel

- ▶ **Tetap waspada, perhatikan aktivitas yang sedang dikerjakan dan gunakan akal sehat saat mengoperasikan perkakas listrik. Jangan gunakan perkakas listrik saat mengalami kelelahan atau di bawah pengaruh narkoba, alkohol, atau obat-obatan.** Jika perkakas listrik dioperasikan dengan daya konsentrasi yang rendah, hal tersebut dapat menyebabkan cedera serius.

- ▶ **Gunakan peralatan pelindung diri. Selalu kenakan pelindung mata.** Penggunaan perlengkapan pelindung seperti penutup telinga, helm, sepatu anti licin, dan masker debu akan mengurangi cedera.
- ▶ **Hindari start yang tidak disengaja. Pastikan switch berada di posisi off sebelum perkakas listrik dihubungkan ke sumber daya listrik dan/atau baterai, diangkat, atau dibawa.** Membawa perkakas listrik dengan jari menempel pada tombol atau perkakas listrik dalam keadaan hidup dapat memicu kecelakaan.
- ▶ **Singkirkan kunci penyetel atau kunci pas sebelum menghidupkan perkakas listrik.** Perkakas atau kunci pas yang masih menempel pada komponen perkakas listrik yang berputar dapat menyebabkan cedera.
- ▶ **Jangan melampaui batas. Berdirilah secara mantap dan selalu jaga keseimbangan.** Hal ini akan memberikan kontrol yang lebih baik terhadap perkakas listrik pada situasi yang tak terduga.
- ▶ **Kenakan pakaian dengan wajar. Jangan mengenakan perhiasan atau pakaian yang longgar. Jauhkan rambut dan pakaian dari komponen yang bergerak.** Pakaian yang longgar, rambut panjang, atau perhiasan dapat tersangkut dalam komponen yang bergerak.
- ▶ **Jika disediakan perangkat untuk sambungan pengisapan debu dan alat pengumpulan, pastikan perangkat tersebut terhubung dan digunakan dengan benar.** Penggunaan alat pengumpulan dapat mengurangi bahaya yang disebabkan oleh debu.
- ▶ **Jangan berpuas diri dan mengabaikan prinsip keselamatan karena terbiasa mengoperasikan perkakas.** Tindakan yang kurang hati-hati dapat mengakibatkan cedera serius dalam waktu sepersekian detik.

#### Penggunaan dan pemeliharaan perkakas listrik

- ▶ **Jangan memaksakan perkakas listrik. Gunakan perkakas listrik yang sesuai untuk pekerjaan yang dilakukan.** Perkakas listrik yang sesuai akan bekerja dengan lebih baik dan aman sesuai tujuan penggunaan.
- ▶ **Jangan gunakan perkakas listrik dengan switch yang tidak dapat dioperasikan.** Perkakas listrik yang switchnya yang tidak berfungsi dapat menimbulkan bahaya dan harus diperbaiki.
- ▶ **Lepaskan steker dari sumber listrik dan/atau lepas baterai, jika dapat dilepaskan dari perkakas listrik sebelum menyetel, mengganti aksesoris, atau menyimpan perkakas listrik.** Tindakan preventif akan mengurangi risiko menghidupkan perkakas listrik secara tidak disengaja.
- ▶ **Jauhkan dan simpan perkakas listrik dari jangkauan anak-anak dan jangan biarkan orang-orang yang tidak mengetahui cara menggunakan perkakas listrik, mengoperasikan perkakas listrik.** Perkakas listrik dapat membahayakan jika digunakan oleh orang-orang yang tidak terlatih.
- ▶ **Lakukan pemeliharaan perkakas listrik dan aksesoris. Periksa komponen yang bergerak apabila tidak lurus**

**atau terikat, kerusakan komponen, dan kondisi lain yang dapat mengganggu pengoperasian perkakas listrik. Apabila rusak, perbaiki perkakas listrik sebelum digunakan.** Kecelakaan sering terjadi karena perkakas listrik tidak dirawat dengan baik.

- ▶ **Jaga ketajaman dan kebersihan alat.** Alat pemotong dengan pisau pemotong yang tajam dan dirawat dengan baik tidak akan mudah tersangkut dan lebih mudah dikendalikan.
- ▶ **Gunakan perkakas listrik, aksesoris, dan komponen perkakas dll sesuai dengan petunjuk ini, dengan mempertimbangkan kondisi kerja dan pekerjaan yang akan dilakukan.** Penggunaan perkakas listrik untuk tujuan berbeda dari fungsinya dapat menyebabkan situasi yang berbahaya.
- ▶ **Jaga gagang dan permukaan genggam agar tetap kering, bersih, dan bebas dari minyak dan lemak.** Gagang dan permukaan genggam yang licin tidak menjamin keamanan kerja dan kontrol alat yang baik pada situasi yang tidak terduga.

#### Servis

- ▶ **Minta teknisi berkualifikasi untuk menyervis perkakas listrik dengan hanya menggunakan suku cadang yang identik.** Dengan demikian, hal ini akan memastikan keamanan perkakas listrik.

#### Petunjuk keselamatan untuk gerinda

- ▶ **Hanya gunakan perkakas listrik untuk melakukan penggerindaan kering.** Air yang masuk ke dalam perkakas listrik menambah risiko terjadinya kontak listrik.
- ▶ **Waspada terhadap risiko terbakar! Hindari benda kerja dan gerinda agar tidak menjadi terlalu panas. Kosongkan kontainer debu sebelum Anda menghentikan pekerjaan sementara.** Debu penggerindaan pada kantung debu, microfilter, kantung kertas (atau pada kantung filter atau filter pengisap debu) dapat terbakar dengan sendirinya pada kondisi tertentu, misalnya akibat percikan api saat menggerinda logam. Khususnya, terdapat bahaya jika debu penggerindaan tercampur dengan sisa cat, sisa poliuretana, atau bahan kimia lainnya dan benda kerja dalam keadaan panas setelah penggerindaan dalam waktu yang lama.
- ▶ **Bersihkan lubang ventilasi pada perkakas listrik secara rutin.** Kipas angin motor menarik debu ke dalam rumahannya dan debu logam dalam jumlah yang besar dan listrik bisa mengakibatkan bahaya.
- ▶ **Gunakan alat kerja dengan aman.** Benda yang ditahan dalam alat pemegang atau bais lebih aman daripada benda yang dipegang dengan tangan.
- ▶ **Tunggu perkakas listrik hingga berhenti sebelum meletakkannya.**

## Spesifikasi produk dan performa



**Bacalah semua petunjuk keselamatan dan petunjuk penggunaan.** Kesalahan dalam menjalankan petunjuk keselamatan dan petunjuk penggunaan dapat mengakibatkan kontak listrik, kebakaran, dan/atau luka-luka yang berat.

Perhatikan ilustrasi yang terdapat pada sisi sampul panduan pengoperasian.

### Tujuan penggunaan

Perkakas listrik ini cocok untuk mengampelas kering bahan kayu, bahan sintetis, logam, dempul serta permukaan-permukaan yang bercat.

### Ilustrasi komponen

Nomor-nomor dari bagian-bagian perkakas pada gambar sesuai dengan gambar perkakas listrik pada halaman bergambar.

- (1) Tombol on/off
- (2) Kotak debu lengkap (sistem mikrofilter) (GSS 1400 A)
- (3) Strip penjepit belakang
- (4) Pelat ampelas
- (5) Braket penjepit (2x)
- (6) Kertas ampelas<sup>a)</sup>
- (7) Strip penjepit depan
- (8) Gagang (permukaan genggam berisolator) (gagang lunak hanya pada GSS 1400 A)
- (9) Saluran pembuangan (GSS 1400 A)
- (10) Elemen filter (sistem mikrofilter) (GSS 1400 A)
- (11) Slang pengisap<sup>a)</sup>
- (12) Alat perforasi<sup>a)</sup>

a) **Aksesori yang ada pada gambar atau yang dijelaskan tidak termasuk dalam lingkup pengiriman standar. Semua aksesori yang ada dapat Anda lihat dalam program aksesori kami.**

### Data teknis

Mesin ampelas orbital		GSS 1400	GSS 1400 A
Nomor model		<b>3 601 BA2 0..</b>	<b>3 601 BA2 1..</b>
Input daya nominal	W	180	180
Kecepatan idle	min <sup>-1</sup>	12000	12000
Jumlah getaran kecepatan idle	min <sup>-1</sup>	24000	24000
Diameter orbit	mm	1,6	1,6
Ukuran kertas ampelas			
– Kain perekat	mm	115 x 107	115 x 107
– Ketegangan jepit	mm	115 x 140	115 x 140
Ukuran pelat ampelas	mm	110 x 100	110 x 100
Berat sesuai dengan EPTA-Procedure 01:2014	kg	1,3	1,4
Tingkat perlindungan		□ / II	□ / II

Data-data berlaku untuk tegangan nominal [U] 230 V. Pada tegangan yang lebih rendah dan pada model khusus mancanegara data-data ini bisa berlainan.

## Pemasangan

- ▶ **Sebelum mulai dengan pekerjaan pada perkakas listrik, tariklah steker dari stopkontak.**

### Mengganti kertas ampelas

Bersihkan kotoran dan debu pada pelat ampelas (4) sebelum memasang kertas ampelas yang baru, misalnya dengan kuas.

Guna menjamin pengisapan debu yang optimal, pastikan lubang pada kertas ampelas sesuai dengan lubang bor pada pelat ampelas.

### Kertas ampelas tanpa kain perekat (lihat gambar A-C)

- 1 Buka penguncian kedua braket penjepit (5) dan gerakkan ke bawah.

- 2 Masukkan kertas ampelas (6) di bawah strip penjepit belakang (3). Pastikan lebar kertas ampelas (6) tidak terlalu pendek dan dijepit dengan benar. Gerakkan braket penjepit (5) kembali ke posisi semula dan kunci di tempatnya.
- 3 Pasang kertas ampelas dengan kencang ke pelat ampelas (4). Jepit bagian depan kertas ampelas di bawah strip penjepit depan (7). Pastikan lebar kertas ampelas (6) tidak terlalu pendek dan dijepit dengan benar. Gerakkan braket penjepit (5) kembali ke posisi semula dan kunci di tempatnya.

Kertas ampelas yang tidak berlubang seperti seperti material gulungan atau meteran dapat dilubangi dengan alat perforasi (12) untuk membersihkan debu. Tekan alat perkakas dengan kertas ampelas yang terpasang pada alat perforasi (lihat gambar F).



Untuk melepaskan kertas ampelas **(6)**, lepaskan kedua braket penjepit **(5)** dan keluarkan kertas ampelas dari penahannya.

#### Kertas ampelas dengan kain perekat

Pelat ampelas **(4)** yang dilengkapi dengan kain perekat dapat digunakan untuk melekatkan kertas ampelas dengan kain perekat secara cepat dan mudah.

Sebelum memasang kertas ampelas **(6)**, bersihkan kain perekat pelat ampelas **(4)** dengan cara ditepuk-tepuk guna memungkinkan perekatan yang optimal.

Pasang kertas ampelas **(6)** pada sisi pelat ampelas **(4)** secara merata, lalu letakkan kertas ampelas di atas pelat ampelas dan tekan dengan kuat.

Untuk melepas kertas ampelas **(6)**, pegang salah satu ujung kertas ampelas dan tarik kertas ampelas dari pelat ampelas **(4)**.

#### Memilih kertas ampelas

Tersedia berbagai jenis kertas ampelas menyesuaikan material yang dikerjakan dan penghalusan permukaan yang diinginkan :

		Butiran	
<b>red:Wood</b>		40–240	
<b>Untuk pengerjaan pada semua material berbahan kayu</b>			
Untuk pengampelasan awal, misalnya pada balok dan papan yang kasar dan tidak rata	kasar	40, 60	
Untuk pengampelasan permukaan dan untuk meratakan permukaan yang tidak rata	sedang	80, 120	
Untuk pengampelasan halus dan pengampelasan akhir pada kayu yang keras	halus	180, 240	
<b>white:Paint</b>		40–240	
<b>Untuk pengerjaan dengan lapisan cat/pernis atau lapisan cat dasar seperti filler dan primer</b>			
Untuk mengikis cat lama	kasar	40, 60	
Untuk mengampelas cat dasar	sedang	80, 120	
Untuk mengampelas halus cat dasar sebelum mengecat lapisan terakhir	halus	180, 240	

#### Pengisapan debu/serbuk

Debu dari bahan-bahan seperti cat yang mengandung timbal, beberapa jenis kayu, bahan mineral dan logam dapat berbahaya bagi kesehatan. Menyentuh atau menghirup debu tersebut dapat mengakibatkan reaksi alergi dan/atau penyakit saluran pernapasan bagi pengguna atau orang yang berada di dekatnya.

Beberapa debu tertentu seperti misalnya debu kayu pohon ek atau pohon fagus silvatica dianggap dapat mengakibatkan penyakit kanker, terutama dalam campuran dengan bahan-

bahan tambahan untuk pengolahan kayu (kromat, obat pengawet kayu). Bahan-bahan yang mengandung asbestos hanya boleh dikerjakan oleh orang-orang yang ahli.

- Gunakanlah hanya pengisap debu yang cocok untuk mengisap bahan yang dikerjakan.
- Pastikan terdapat ventilasi udara yang baik di tempat kerja.
- Dianjurkan untuk memakai masker anti debu dengan filter kelas P2.

Taatilah peraturan-peraturan untuk bahan-bahan yang dikerjakan yang berlaku di negara Anda.

#### ► Hindari debu yang banyak terkumpul di tempat kerja.

Debu dapat tersulut dengan mudah.

#### Ekstraksi otomatis dengan kotak debu (lihat gambar D1–D4) (GSS 1400 A)

Dorong kotak debu **(2)** ke saluran pembuangan **(9)**.

Tingkat pengisian kotak debu **(2)** dapat dengan mudah dikontrol melalui wadah transparan.

Tarik **(2)** perlahan ke belakang dengan diputar untuk mengosongkan kotak debu.

Lepaskan elemen filter **(10)** dari kotak debu **(2)**. Kosongkan kotak debu.

Ketuk ringan elemen filter **(10)** pada dasar yang kuat untuk menghilangkan debu. Bersihkan sirip elemen filter **(10)** dengan sikat lembut.

**Catatan:** Untuk menjamin ekstraksi debu yang optimal, kosongkan kotak debu **(2)** di waktu yang tepat dan bersihkan elemen filter **(10)** secara teratur.

Saat bekerja pada permukaan yang vertikal, pegang perkakas listrik sedemikian rupa sehingga kotak debu **(2)** menghadap ke bawah.

#### Ekstraksi debu eksternal (lihat gambar E) (GSS 1400 A)

Pasang slang pengisap **(11)** (aksesori) ke saluran pembuangan **(9)**. Hubungkan slang pengisap **(11)** dengan pengisap debu (aksesori).

Mesin pengisap debu harus sesuai dengan bahan yang dikerjakan.

Gunakanlah mesin pengisap khusus saat mengisap debu yang sangat berbahaya bagi kesehatan, pemicu kanker, atau debu yang sangat kering.

Saat bekerja pada permukaan yang vertikal, pegang perkakas listrik sedemikian rupa sehingga slang pengisap menghadap ke bawah.

## Penggunaan

### Cara penggunaan

- **Perhatikan tegangan listrik! Tegangan jaringan listrik harus sesuai dengan tegangan listrik yang tercantum pada label tipe perkakas listrik. Perkakas listrik dengan daya sebesar 230 V seperti yang diindikasikan pada label dapat juga dioperasikan pada daya 220 V.**

**Mengaktifkan/menonaktifkan perkakas listrik**

- ▶ **Pastikan bahwa Anda dapat mengoperasikan tombol untuk menghidupkan dan mematikan tanpa perlu melepaskan handle.**

Untuk **mengaktifkan** perkakas listrik, sentuh tombol on/off (1) ke kanan pada ke "I".

Untuk **menonaktifkan** perkakas listrik, sentuh tombol on/off (1) ke kiri ke posisi "O".

**Petunjuk pengoperasian**

- ▶ **Tunggu perkakas listrik hingga berhenti sebelum meletakkannya.**

Keberhasilan selama pengampelas terutama ditentukan oleh pemilihan kertas ampelas yang digunakan.

Hanya kertas ampelas yang baik yang menghasilkan kinerja pengampelasan yang sempurna dan memelihara fungsi perkakas listrik.

Pastikan daya tekan selalu merata agar meningkatkan masa pakai kertas ampelas.

Menambah daya tekan tidak akan meningkatkan kinerja pengampelasan, melainkan hanya membuat perkakas listrik dan kertas ampelas menjadi aus.

Kertas ampelas yang telah digunakan untuk mengerjakan logam, tidak boleh digunakan untuk mengerjakan bahan-bahan lainnya.

Hanya gunakan aksesoris pengampelasan **Bosch** yang asli.

**Perawatan dan servis****Perawatan dan pembersihan**

- ▶ **Sebelum mulai dengan pekerjaan pada perkakas listrik, tariklah steker dari stopkontak.**
- ▶ **Perkakas listrik dan lubang ventilasi harus selalu dibersihkan agar perkakas dapat digunakan dengan baik dan aman.**

Jika kabel listrik harus diganti, pekerjaan ini harus dilakukan oleh **Bosch** atau Service Center untuk perkakas listrik **Bosch** resmi agar keselamatan kerja selalu terjaga.

**Layanan pelanggan dan konsultasi penggunaan**

Layanan pelanggan Bosch menjawab semua pertanyaan Anda tentang reparasi dan perawatan serta tentang suku cadang produk ini. Gambaran teknis (exploded view) dan informasi mengenai suku cadang dapat ditemukan di: [www.bosch-pt.com](http://www.bosch-pt.com)

Tim konsultasi penggunaan Bosch akan membantu Anda menjawab pertanyaan seputar produk kami beserta aksesorinya.

Jika Anda hendak menanyakan sesuatu atau memesan suku cadang, selalu sebutkan nomor model yang terdiri dari 10 angka dan tercantum pada label tipe produk.

**Indonesia**

PT Robert Bosch  
Palma Tower 10th Floor  
Jalan RA Kartini II-S Kaveling 6

Pondok Pinang, Kebayoran Lama

Jakarta Selatan 12310

Tel.: (021) 3005 5800

Fax: (021) 3005 5801

E-Mail: [boschpowertools@id.bosch.com](mailto:boschpowertools@id.bosch.com)

[www.bosch-pt.co.id](http://www.bosch-pt.co.id)

**Alamat layanan lainnya dapat ditemukan di:**

[www.bosch-pt.com/serviceaddresses](http://www.bosch-pt.com/serviceaddresses)

**Cara membuang**

Perkakas listrik, aksesoris, dan kemasan sebaiknya didaur ulang secara ramah lingkungan.



Jangan membuang perkakas listrik ke dalam tempat sampah rumah tangga!

**Tiếng Việt****Hướng dẫn an toàn****Hướng dẫn an toàn chung cho dụng cụ điện**

**⚠ CẢNH BÁO** **Hãy đọc toàn bộ các cảnh báo an toàn, hướng dẫn, hình ảnh và thông số kỹ thuật được cung cấp cho dụng cụ điện cầm tay này.** Không tuân thủ mọi hướng dẫn được liệt kê dưới đây có thể bị điện giật, gây cháy và /hay bị thương tật nghiêm trọng.

**Hãy giữ tất cả tài liệu về cảnh báo và hướng dẫn để tham khảo về sau.**

Thuật ngữ "dụng cụ điện cầm tay" trong phần cảnh báo là để cập đến sự sử dụng dụng cụ điện cầm tay của bạn, loại sử dụng điện nguồn (có dây cắm điện) hay vận hành bằng pin (không dây cắm điện).

**Khu vực làm việc an toàn**

- ▶ **Giữ nơi làm việc sạch và đủ ánh sáng.** Nơi làm việc bừa bộn và tối tăm dễ gây ra tai nạn.
- ▶ **Không vận hành dụng cụ điện cầm tay trong môi trường dễ gây nổ, chẳng hạn như nơi có chất lỏng dễ cháy, khí đốt hay rác.** Dụng cụ điện cầm tay tạo ra các tia lửa nên có thể làm rác bén cháy hay bốc khói.
- ▶ **Không để trẻ em hay người đến xem đứng gần khi vận hành dụng cụ điện cầm tay.** Sự phân tâm có thể gây ra sự mất điều khiển.

**An toàn về điện**

- ▶ **Phích cắm của dụng cụ điện cầm tay phải thích hợp với ổ cắm. Không bao giờ được cài biến lại phích cắm dưới mọi hình thức. Không được sử dụng phích tiếp hợp nối tiếp**

**đất (dây mát).** Phích cắm nguyên bản và ổ cắm đúng loại sẽ làm giảm nguy cơ bị điện giật.

- ▶ **Tránh không để thân thể tiếp xúc với đất hay các vật có bề mặt tiếp đất như đường ống, lò sưởi, hàng rào và tủ lạnh.** Có nhiều nguy cơ bị điện giật hơn nếu cơ thể bạn bị tiếp hay nối đất.
- ▶ **Không được để dụng cụ điện cầm tay ngoài mưa hay ở tình trạng ẩm ướt.** Nước vào máy sẽ làm tăng nguy cơ bị điện giật.
- ▶ **Không được làm dụng cụ dây dẫn điện. Không bao giờ được nắm dây dẫn để xách, kéo hay rút phích cắm dụng cụ điện cầm tay. Không để dây gần nơi có nhiệt độ cao, dầu nhớt, vật nhọn bén và bộ phận chuyển động.** Làm hỏng hay cuộn rối dây dẫn làm tăng nguy cơ bị điện giật.
- ▶ **Khi sử dụng dụng cụ điện cầm tay ngoài trời, dùng dây nối thích hợp cho việc sử dụng ngoài trời.** Sử dụng ngoài trời làm giảm nguy cơ bị điện giật.
- ▶ **Nếu việc sử dụng dụng cụ điện cầm tay ở nơi ẩm ướt là không thể tránh được, dùng thiết bị ngắt mạch tự động (RCD) bảo vệ nguồn.** Sử dụng thiết bị ngắt mạch tự động RCD làm giảm nguy cơ bị điện giật.

#### An toàn cá nhân

- ▶ **Hãy tỉnh táo, biết rõ mình đang làm gì và hãy sử dụng ý thức khi vận hành dụng cụ điện cầm tay. Không sử dụng dụng cụ điện cầm tay khi đang mệt mỏi hay đang bị tác động do chất gây nghiện, rượu hay dược phẩm gây ra.** Một thoáng mất tập trung khi đang vận hành dụng cụ điện cầm tay có thể gây thương tích nghiêm trọng cho bản thân.
- ▶ **Sử dụng trang bị bảo hộ cá nhân. Luôn luôn đeo kính bảo vệ mắt.** Trang bị bảo hộ như khẩu trang, giày chống trượt, nón bảo hộ, hay dụng cụ bảo vệ tai khi được sử dụng đúng nơi đúng chỗ sẽ làm giảm nguy cơ thương tật cho bản thân.
- ▶ **Phòng tránh máy khởi động bất ngờ. Bảo đảm công tắc máy ở vị trí tắt trước khi cắm vào nguồn điện và/hay lắp pin vào, khi nhắc máy lên hay khi mang xách máy.** Ngáng ngón tay vào công tắc máy để xách hay kích hoạt dụng cụ điện cầm tay khi công tắc ở vị trí mở dễ dẫn đến tai nạn.
- ▶ **Lấy mọi chìa hay khóa điều chỉnh ra trước khi mở điện dụng cụ điện cầm tay.** Khóa hay chìa còn gắn dính vào bộ phận quay của dụng cụ điện cầm tay có thể gây thương tích cho bản thân.
- ▶ **Không rướn người. Luôn luôn giữ tư thế đứng thích hợp và thẳng bằng.** Điều này tạo cho việc điều khiển dụng cụ điện cầm tay tốt hơn trong mọi tình huống bất ngờ.

- ▶ **Trang phục thích hợp. Không mặc quần áo rộng lủng thụng hay mang trang sức. Giữ tóc và quần áo xa khỏi các bộ phận chuyển động.** Quần áo rộng lủng thụng, đồ trang sức hay tóc dài có thể bị cuốn vào các bộ phận chuyển động.
- ▶ **Nếu có các thiết bị đi kèm để nối máy hút bụi và các phụ kiện khác, bảo đảm các thiết bị này được nối và sử dụng tốt.** Việc sử dụng các thiết bị gom hút bụi có thể làm giảm các độc hại liên quan đến bụi gây ra.
- ▶ **Không để thói quen do sử dụng thường xuyên dụng cụ khiến bạn trở nên chủ quan và bỏ qua các quy định an toàn dụng cụ.** Một hành vi bất cẩn có thể gây ra thương tích nghiêm trọng chỉ trong tích tắc.

#### Sử dụng và bảo dưỡng dụng cụ điện cầm tay

- ▶ **Không được ép máy. Sử dụng dụng cụ điện cầm tay đúng loại theo đúng ứng dụng của bạn.** Dụng cụ điện cầm tay đúng chức năng sẽ làm việc tốt và an toàn hơn theo đúng tiến độ mà máy được thiết kế.
- ▶ **Không sử dụng dụng cụ điện cầm tay nếu như công tắc không tắt và mở được.** Bất kỳ dụng cụ điện cầm tay nào mà không thể điều khiển được bằng công tắc là nguy hiểm và phải được sửa chữa.
- ▶ **Rút phích cắm ra khỏi nguồn điện và/hay pin ra khỏi dụng cụ điện cầm tay nếu có thể tháo được, trước khi tiến hành bất kỳ điều chỉnh nào, thay phụ kiện, hay cất dụng cụ điện cầm tay.** Các biện pháp ngăn ngừa như vậy làm giảm nguy cơ dụng cụ điện cầm tay khởi động bất ngờ.
- ▶ **Cất giữ dụng cụ điện cầm tay không dùng tới nơi trẻ em không lấy được và không cho người chưa từng biết dụng cụ điện cầm tay hay các hướng dẫn này sử dụng dụng cụ điện cầm tay.** Dụng cụ điện cầm tay nguy hiểm khi ở trong tay người chưa được chỉ cách sử dụng.
- ▶ **Bảo quản dụng cụ điện cầm tay và các phụ kiện. Kiểm tra xem các bộ phận chuyển động có bị sai lệch hay kẹt, các bộ phận bị rạn nứt và các tình trạng khác có thể ảnh hưởng đến sự vận hành của máy. Nếu bị hư hỏng, phải sửa chữa máy trước khi sử dụng.** Nhiều tai nạn xảy ra do bảo quản dụng cụ điện cầm tay tồi.
- ▶ **Giữ các dụng cụ cất bên và sạch.** Bảo quản đúng cách các dụng cụ cất có cạnh cất bên làm giảm khả năng bị kẹt và dễ điều khiển hơn.
- ▶ **Sử dụng dụng cụ điện cầm tay, phụ kiện, đầu cài v. v., đúng theo các chỉ dẫn này, hãy lưu ý đến điều kiện làm việc và công việc phải thực hiện.** Sự sử dụng dụng cụ điện cầm tay khác

với mục đích thiết kế có thể tạo nên tình huống nguy hiểm.

- **Giữ tay cầm và bề mặt nắm luôn khô ráo, sạch sẽ và không dính dầu mỡ.** Tay cầm và bề mặt nắm trơn trượt không đem lại thao tác an toàn và kiểm soát dụng cụ trong các tình huống bất ngờ.

#### Bảo dưỡng

- **Đưa dụng cụ điện cầm tay của bạn đến thợ chuyên môn để bảo dưỡng, chỉ sử dụng phụ tùng đúng chủng loại để thay.** Điều này sẽ đảm bảo sự an toàn của máy được giữ nguyên.

#### Các hướng dẫn an toàn cho máy mài

- **Chỉ sử dụng dụng cụ điện để mài khô.** Nước vào máy sẽ làm tăng nguy cơ bị điện giật.
- **Chú ý nguy cơ cháy! Tránh quá nhiệt vật liệu mài và máy mài. Luôn xả rỗng thùng chứa bụi trước khi tạm dừng làm việc.** Bụi mài trong túi chứa bụi, bộ vi lọc, túi giấy (hoặc trong bộ lọc kiểu túi hoặc bộ lọc của máy hút bụi) có thể tự đánh lửa dưới các điều kiện không phù hợp, như tia lửa điện bay ra khi mài kim loại. Có nguy hiểm đặc biệt, nếu bụi mài trộn với các cặn sơn, cặn polyurethane hoặc những chất hóa học khác và vật liệu mài nóng lên sau thời gian dài hoạt động.
- **Thường xuyên làm sạch các khe thông gió của dụng cụ điện.** Quạt gió motor sẽ kéo bụi nằm trong vỏ máy ra và sự tích tụ quá nhiều bột kim loại có thể gây nên các nguy hiểm về điện.
- **Kẹp chặt vật gia công.** Vật gia công được kẹp bằng một thiết bị kẹp hay bằng ê-tô thì vững chắc hơn giữ bằng tay.
- **Luôn luôn đợi cho máy hoàn toàn ngừng hẳn trước khi đặt xuống.**

#### Thông số kỹ thuật

Máy chà nhám xoay		GSS 1400	GSS 1400 A
Mã số máy		<b>3 601 BA2 0..</b>	<b>3 601 BA2 1..</b>
Công suất vào danh định	W	180	180
Tốc độ không tải	min <sup>-1</sup>	12000	12000
Tần suất vòng xoay	min <sup>-1</sup>	24000	24000
Đường kính mạch dao động	mm	1,6	1,6
Kích cỡ giấy nhám			
– Khóa dán	mm	115 x 107	115 x 107
– Điện áp đầu cuối	mm	115 x 140	115 x 140
Kích cỡ đế chà	mm	110 x 100	110 x 100

## Mô Tả Sản Phẩm và Đặc Tính Kỹ Thuật



**Đọc kỹ mọi cảnh báo an toàn và mọi hướng dẫn.** Không tuân thủ mọi cảnh báo và hướng dẫn được liệt kê dưới đây có thể bị điện giật, gây cháy và / hay bị thương tật nghiêm trọng.

Xin lưu ý các hình minh họa trong phần trước của hướng dẫn vận hành.

#### Sử dụng đúng cách

Máy được thiết kế để chà khô vật liệu gỗ, nhựa mù, kim loại, chất trám độn cũng như các bề mặt đã sơn phủ.

#### Các bộ phận được minh họa

Sự đánh số các biểu trưng của sản phẩm là để tham khảo hình minh họa của máy trên trang hình ảnh.

- (1) Công tắc Tắt/Mở
- (2) Hộp chứa bụi hoàn chỉnh (Hệ thống bộ vi lọc) (GSS 1400 A)
- (3) Gọng kẹp sau
- (4) Tấm mài
- (5) Giá kẹp (2x)
- (6) Giấy nhám<sup>a)</sup>
- (7) Gọng kẹp trước
- (8) Tay nắm (bề mặt nắm cách điện) (tay nắm mềm chỉ ở GSS 1400 A)
- (9) Vòi xả (GSS 1400 A)
- (10) Ruột bộ lọc (Hệ thống bộ vi lọc) (GSS 1400 A)
- (11) Ống hút<sup>a)</sup>
- (12) Dụng cụ đục lỗ<sup>a)</sup>

a) Phụ tùng được trình bày hay mô tả không phải là một phần của tiêu chuẩn hàng hóa được giao kèm theo sản phẩm. Bạn có thể tham khảo tổng thể các loại phụ tùng, phụ kiện trong chương trình phụ tùng của chúng tôi.

Máy chà nhám xoay	GSS 1400	GSS 1400 A	
Trọng lượng theo EPTA-Procedure 01:2014	kg	1,3	1,4
Cấp độ bảo vệ		□/II	□/II

Các giá trị đã cho có hiệu lực cho điện thế danh định [U] 230 V. Đối với điện thế thấp hơn và các loại máy dành riêng cho một số quốc gia, các giá trị này có thể thay đổi.

## Sự lắp vào

- ▶ Trước khi tiến hành bất cứ việc gì trên máy, kéo phích cắm điện nguồn ra.

### Thay Giấy Nhám

Trước khi dùng một tờ giấy nhám mới, hãy loại bỏ bụi bẩn khỏi giấy nhám (4), ví dụ bằng bàn chải. Để đảm bảo hút bụi tối ưu, hãy lưu ý rằng lỗ đột trên giấy nhám phải khớp với các lỗ khoan trên đế chà.

### Đĩa chà nhám không có khóa dán (xem Hình ảnh A–C)

- 1 Nhả cả hai giá kẹp (5) ra khỏi khóa giữ và xoay xuống dưới.
- 2 Dẫn giấy nhám (6) bên dưới dải kẹp sau (3) vào. Chú ý, giấy nhám (6) không được ngăn và được kẹp chính xác. Xoay giá kẹp (5) trở lại vị trí ban đầu và khóa nó tại đó.
- 3 Đặt giấy chà nhám lên đế chà sao cho thật căng (4). Kẹp phần trên của giấy nhám bên dưới dải kẹp trước (7) thật chặt. Chú ý, giấy nhám (6) không được ngăn và được kẹp chính xác. Xoay giá kẹp (5) trở lại vị trí ban đầu và khóa nó tại đó.

Bạn có thể đục lỗ cho các loại giấy nhám không có lỗ, ví dụ như loại tấm hoặc cuộn bằng dụng cụ đục lỗ (12) để hút bụi. Ấn dụng cụ điện đã lắp giấy nhám vào dụng cụ đục lỗ (xem Hình F).

Để tháo giấy nhám (6) bạn hãy nhả cả hai giá kẹp (5) và lấy đĩa chà nhám ra khỏi giá đỡ.

### Giấy nhám có khóa dán

Nếu đế chà (4) được trang bị một sợi băng dán xe, bạn có thể gắn giấy nhám có khóa dán một cách nhanh chóng và dễ dàng.

Hãy gỡ nhẹ sợi băng dán của đế chà (4) trước khi đặt giấy nhám (6), để tạo độ bám tối ưu.

Hãy đặt chính xác giấy nhám (6) trên mặt của đế chà (4), sau đó cố định giấy nhám lên đế chà và ấn chặt xuống.

Để gỡ giấy nhám (6) hãy cầm vào đầu nhọn và kéo ra khỏi đế chà (4).

### Chọn Loại đĩa chà nhám

Tùy theo loại vật liệu được gia công và yêu cầu về khả năng chà bề mặt, có thể mua ngoài thị trường nhiều loại giấy nhám khác nhau:

Kích Cỡ Hạt
<b>red:Wood</b> 40–240

### Kích Cỡ Hạt

#### Để gia công tất cả các loại vật liệu gỗ

Để mài sơ bộ, ví dụ mài các thanh và tấm ván thô	thô	40, 60
Để mài bề mặt và làm phẳng những chỗ gỗ gồ ghề nhỏ	Trung bình	80, 120
Chà hoàn thiện và chà tinh các loại gỗ cứng	tinh	180, 240

**white:Paint** 40–240

#### Để thao tác với sơn/lớp men hay sơn lót và chất trám

Chà cho bong tróc sơn	thô	40, 60
Chà sơn lót	Trung bình	80, 120
Chà hoàn thiện sơn lót trước khi sơn phủ	tinh	180, 240

### Hút Dăm/Bụi

Mặt bụi từ các vật liệu được sơn phủ ngoài có chứa chì trên một số loại gỗ, khoáng vật và kim loại có thể gây nguy hại đến sức khoẻ con người. Đụng chạm hay hít thở các bụi này có thể làm người sử dụng hay đứng gần bị dị ứng và/hoặc gây nhiễm trùng hệ hô hấp.

Một số mặt bụi cụ thể, ví dụ như bụi gỗ sồi hay dẫu, được xem là chất gây ung thư, đặc biệt là có liên quan đến các chất phụ gia dùng xử lý gỗ (chất cromat, chất bảo quản gỗ). Có thể chỉ nên để thợ chuyên môn gia công các loại vật liệu có chứa amiăng.

- Cách xa ở mức có thể được, sử dụng hệ thống hút thích hợp cho loại vật liệu.
- Tạo không khí thông thoáng nơi làm việc.
- Khuyến nghị nên mang mặt nạ phòng độc có bộ lọc cấp P2.

Tuân thủ các qui định của quốc gia bạn liên quan đến loại vật liệu gia công.

- ▶ **Tránh không để rác tích tụ tại nơi làm việc.** Rác có thể dễ dàng bắt lửa.

### Hệ Thống Hút Bụi Tích Hợp có hộp đựng bụi (xem Hình ảnh D1–D4) (GSS 1400 A)

Vận hộp đựng bụi (2) vào vòi xả (9).

Mức đầy của hộp đựng bụi (2) có thể được kiểm tra dễ dàng bằng bình chứa trong suốt.

Để xả rỗng hộp đựng bụi (2) hãy xoay nhẹ về phía sau.

Thao vít ruột bộ lọc (10) khỏi hộp chứa bụi (2). Làm sạch hộp đựng bụi.

Gõ nhẹ vào ruột bộ lọc (10) trên một giá đỡ cố định, để loại bỏ bụi. Hãy vệ sinh các bản mỏng của ruột bộ lọc (10) bằng bàn chải mềm.

**Hướng dẫn:** Để đảm bảo hút bụi tối ưu, hãy xả rỗng hộp đựng bụi (2) đúng lúc và vệ sinh thường xuyên ruột bộ lọc (10).

Khi gia công bề mặt thẳng đứng, nắm dụng cụ cách sao cho hộp đựng bụi (2) hướng xuống.

#### Hút bụi bên ngoài (xem Hình E) (GSS 1400 A)

Cắm ống hút (11) (phụ kiện) vào vòi xả (9). Nối ống hút (11) với một chiếc máy hút bụi (phụ kiện).

Máy hút bụi phải thích hợp dành cho loại vật liệu đang gia công.

Khi hút bụi khô loại đặc biệt gây nguy hại đến sức khỏe hoặc gây ra ung thư, hãy sử dụng máy hút bụi loại chuyên dụng.

Khi gia công bề mặt thẳng đứng, nắm dụng cụ cách sao cho vòi hút hướng xuống.

## Vận Hành

### Bắt Đầu Vận Hành

- ▶ **Hãy cẩn thận với nguồn điện! Điện thế nguồn phải đúng với điện thế đã ghi rõ trên nhãn máy. Dụng cụ điện được ghi 230 V cũng có thể được vận hành ở 220 V.**

#### Bật/Tắt

- ▶ **Hãy đảm bảo rằng, bạn có thể nhấn Công tắc bật/tắt, mà không cần nhả tay nắm.**

Để **bật** dụng cụ điện bạn hãy nghiêng công tắc bật/tắt (1) sang phải vào vị trí "I".

Để **tắt** dụng cụ điện cầm tay hãy nghiêng công tắc bật/tắt (1) sang trái vào vị trí "O".

### Hướng Dẫn Sử Dụng

- ▶ **Luôn luôn đợi cho máy hoàn toàn ngừng hẳn trước khi đặt xuống.**

Năng suất làm bong tróc trong khi chà nhám chủ yếu được quyết định là từ sự lựa chọn loại đĩa chà nhám.

Chỉ có giấy nhám không bị hư hỏng mới cho năng suất chà nhám tốt và kéo dài tuổi thọ của máy.

Hãy lưu ý việc đặt lực áp lên máy để chà phải đồng đều; điều này làm tăng độ bền của giấy nhám.

Tạo lực đè thật mạnh lên máy để chà không làm tăng năng suất chà, nhưng lại làm tăng sự hao mòn của máy và giấy nhám.

Giấy nhám đã được dùng để chà kim loại không nên sử dụng để chà các loại vật liệu khác.

Chỉ nên sử dụng các phụ kiện chà nhám chính hãng **Bosch**.

## Bảo Dưỡng và Bảo Quản

### Bảo Dưỡng Và Làm Sạch

- ▶ **Trước khi tiến hành bất cứ việc gì trên máy, kéo phích cắm điện nguồn ra.**
- ▶ **Để được an toàn và máy hoạt động đúng chức năng, luôn luôn giữ máy và các khe thông gió được sạch.**

Nếu như cần phải thay dây dẫn điện thì công việc này phải do hãng **Bosch**, hay một đại lý được **Bosch** ủy nhiệm thực hiện để tránh gặp sự nguy hiểm do mất an toàn.

### Dịch vụ hỗ trợ khách hàng và tư vấn sử dụng

Bộ phận phục vụ hàng sau khi bán của chúng tôi trả lời các câu hỏi liên quan đến việc bảo dưỡng và sửa chữa các sản phẩm cũng như phụ tùng thay thế của bạn. Sơ đồ mô tả và thông tin về phụ tùng thay thế cũng có thể tra cứu theo dưới đây:

[www.bosch-pt.com](http://www.bosch-pt.com)

Đội ngũ tư vấn sử dụng của Bosch sẽ giúp bạn giải đáp các thắc mắc về sản phẩm và phụ kiện.

Trong tất cả các phản hồi và đơn đặt phụ tùng, xin vui lòng luôn luôn nhập số hàng hóa 10 chữ số theo nhãn của hàng hóa.

#### Việt Nam

CN CÔNG TY TNHH BOSCH VIỆT NAM TẠI TP.HCM

Tầng 14, Ngôi Nhà Đức, 33 Lê Duẩn  
Phường Bến Nghé, Quận 1, Thành Phố Hồ Chí Minh

Tel.: (028) 6258 3690

Fax: (028) 6258 3692 - 6258 3694

Hotline: (028) 6250 8555

Email: [tuvankhachhang-pt@vn.bosch.com](mailto:tuvankhachhang-pt@vn.bosch.com)

[www.bosch-pt.com.vn](http://www.bosch-pt.com.vn)

[www.baohanhbosch-pt.com.vn](http://www.baohanhbosch-pt.com.vn)

#### Xem thêm địa chỉ dịch vụ tại:

[www.bosch-pt.com/serviceaddresses](http://www.bosch-pt.com/serviceaddresses)

### Sự thải bỏ

Máy, linh kiện và bao bì phải được phân loại để tái chế theo hướng thân thiện với môi trường.



Không được thải bỏ dụng cụ điện vào chung với rác sinh hoạt!



مخصص للاستعمال الخارجي من خطر الصدمات الكهربائية.

◀ **إن لم يكن بالإمكان تجنب تشغيل العدة الكهربائية في الأجواء الرطبة، فاستخدم مفتاح للوقاية من التيار المتخلف.** إن استخدام مفتاح للوقاية من التيار المتخلف يقلل خطر الصدمات الكهربائية.

#### أمان الأشخاص

◀ **كن يقظا وانتبه إلى ما تفعله واستخدم العدة الكهربائية بتعقل.** لا تستخدم عدة كهربائية عندما تكون متعبا أو عندما تكون تحت تأثير المخدرات أو الكحول أو الأدوية. عدم الانتباه للحظة واحدة عند استخدام العدة الكهربائية قد يؤدي إلى إصابات خطيرة.

◀ **قم لارتداء تجهيزات الحماية الشخصية.** وارتد دائما نظارات واقية. يعد ارتداء تجهيزات الحماية الشخصية، كقناع الوقاية من الغبار وأحذية الأمان الواقية من الانزلاق والحدوث أو واقية الأذنين، حسب ظروف استعمال العدة الكهربائية، من خطر الإصابة بجروح.

◀ **تجنب التشغيل بشكل غير مقصود.** تأكد من كون العدة الكهربائية مطفأة قبل توصيلها بالتيار الكهربائي و/أو بالمركم، وقبل رفعها أو حملها. إن كنت تضع إصبعك على المفتاح أثناء حمل العدة الكهربائية أو إن وصلت الجهاز بالشبكة الكهربائية بينما لامفتاح على وضع التشغيل، قد يؤدي إلى وقوع الحوادث.

◀ **انزع أداة الضبط أو مفتاح الربط قبل تشغيل العدة الكهربائية.** قد تؤدي الأداة أو المفتاح المتواجد في جزء دوار من الجهاز إلى الإصابة بجروح.

◀ **تجنب أوضاع الجسم غير الطبيعية.** قف بأمان وحافظ على توازنك دائما. سيسمح لك ذلك بالتمكّن في الجهاز بشكل أفضل في المواقف الغير متوقعة.

◀ **قم بارتداء ثياب مناسبة.** لا ترتد الثياب الفضفاضة أو الملّية. احرص على إبقاء الشعر والملابس بعيدا عن الأجزاء المتحركة. قد تتشابك الثياب الفضفاضة والملّية والشعر الطويل بالأجزاء المتحركة.

◀ **إن جاز تركيب تجهيزات شفط وتجميع الغبار، فتأكد من أنها موصولة وبأنه يتم استخدامها بشكل سليم.** قد يقلل استخدام تجهيزات لشفط الغبار من المخاطر الناتجة عن الغبار.

◀ **لا تستخدم العدة الكهربائية بلا مبالاة وتجاهل قواعد الأمان الخاصة بها نتيجة لتعودك على استخدام العدة الكهربائية وكثرة استخدامها.** فقد يتسبب الاستعمال دون حرص في حدوث إصابة بالغة تحدث في أجزاء من الثانية.

حسن معاملة واستخدام العدد الكهربائية

◀ **لا تفرط بتحميل الجهاز.** استخدم لتفنيذ أشغالك العدة الكهربائية المخصصة لذلك. إنك تعمل بشكل أفضل وأكثر أماناً بواسطة العدة الكهربائية الملائمة في مجال الأداء المذكور.

◀ **لا تستخدم العدة الكهربائية إن كان مفتاح تشغيلها تالف.** العدة الكهربائية التي لم يعد من

## عربي

### إرشادات الأمان

#### الإرشادات العامة للأمان بالعدد الكهربائية

##### تحذير

اطلع على كافة تحذيرات الأمان والتعليمات والصور والمواصفات المرفقة بالعدة الكهربائية. عدم اتباع التعليمات الواردة أدناه قد يؤدي إلى حدوث صدمة كهربائية، إلى نشوب حريق و/أو الإصابة بجروح خطيرة.

احتفظ بجميع الملاحظات التحذيرية والتعليمات للمستقبل.

يقصد بمصطلح «العدة الكهربائية» المستخدم في الملاحظات التحذيرية، العدد الكهربائي الموصولة بالشبكة الكهربائية (بواسطة كابل الشبكة الكهربائية) وأيضا العدد الكهربائي المزودة بمركم (دون كابل الشبكة الكهربائية).

##### الأمان بمكان الشغل

◀ **حافظ على نظافة مكان شغلك وإضاءته بشكل جيد.** الفوضى في مكان الشغل ونطاقات العمل غير المضاءة قد تؤدي إلى وقوع الحوادث.

◀ **لا تشغل بالعدة الكهربائية في نطاق معرض لخطر الانفجار مثل الأماكن التي تتوفر فيه السوائل أو الغازات أو الأبخرة القابلة للاشتعال.** العدد الكهربائي تولد شررا قد يتطاير، فيشعل الأبخرة والأبخرة.

◀ **حافظ على بقاء الأطفال وغيرهم من الأشخاص بعيدا عندما تستعمل العدة الكهربائية.** تشتيت الانتباه قد يتسبب في فقدان السيطرة على الجهاز.

##### الأمان الكهربائي

◀ **يجب أن يتلائم قابس العدة الكهربائية مع المقبس.** لا يجوز تغيير القابس بأي حال من الأحوال. لا تستعمل القوابس المهينة مع العدد الكهربائية المؤرّضة (ذات طرف أرضي). تخفّف القوابس التي لم يتمّ تغييرها والمقابس الملائمة من خطر الصدمات الكهربائية.

◀ **تجنب ملامسة جسمك للأسطح المؤرّضة كالأنابيب والمبردات والمواقد أو التلّاجات.** يزداد خطر الصدمات الكهربائية عندما يكون جسمك مَوْض أو موصل بالأرضي.

◀ **أبعد العدة الكهربائية عن الأمطار أو الرطوبة.** يزداد خطر الصدمات الكهربائية إن تسرب الماء إلى داخل العدة الكهربائية.

◀ **لا تسيّ استعمال الكابل.** لا تستخدم الكابل في حمل العدة الكهربائية أو سحبها أو سحب القابس من المقبس. احرص على إبعاد الكابل عن الحرارة والزيت والحواف الحادة أو الأجزاء المتحركة. تزيد الكابلات التالفة أو المتشابكة من خطر الصدمات الكهربائية.

◀ **عند استخدام العدة الكهربائية خارج المنزل اقتصر على استخدام كابلات التمديد الصالحة للاستعمال الخارجي.** يقلل استعمال كابل تمديد

- قد يتولد خطر بالغ عندما يكون غبار التجليلج ممزوجا ببقايا طلاء أو بولي يوريثان أو مواد كيميائية أخرى وكذلك عندما تكون القطعة التي يجرى عليها العمل ساخنة بعد فترة عمل طويلة.
- ◀ **قم بتنظيف فتحات التهوية بالعدة الكهربائية بشكل دوري.** إن منفاخ المحرك يسمح الغبار إلى داخل الهيكل، وتراكم الأغبرة المعدنية الشديد قد يشكل المخاطر الكهربائية.
- ◀ **احرص على تأمين قطعة الشغل.** قطعة الشغل المثبتة بواسطة تجهيزة شد أو بواسطة الملزمة مثبتة بأمان أكبر مما لو تم الإمساك بها بواسطة يدك.
- ◀ **انتظر إلى أن تتوقف العدة الكهربائية عن الحركة قبل أن تضعها جانبا.**

## وصف المنتج والأداء

- اقرأ جميع إرشادات الأمان والتعليمات. ارتكاب الأخطاء عند تطبيق إرشادات الأمان والتعليمات، قد يؤدي إلى حدوث صدمات الكهربائية أو إلى نشوب الحرائق و/أو الإصابة بجروح خطيرة.



يرجى الرجوع إلى الصور الموجودة في الجزء الأول من دليل التشغيل.

## الاستعمال المخصص

العدة الكهربائية مخصصة للتجليلج الجاف للخشب واللداين والمعدن وبطانات التكسية وكذلك الأسطح المطلية.

## الأجزاء المصورة

يشير ترقيم الأجزاء المصورة إلى رسوم العدة الكهربائية الموجودة في صفحة الرسوم التخطيطية.

- (1) مفتاح التشغيل والإطفاء
  - (2) صندوق الغبار كامل (نظام المرشح الدقيق) (GSS 1400 A)
  - (3) عارضة القمط الخلفية
  - (4) صفيحة الجليج
  - (5) مشبك قمط (2x)
  - (6) قرص التجليلج<sup>a</sup>
  - (7) عارضة القمط الأمامية
  - (8) مقبض (سطح قبض معزول) (المقبض اللين فقط مع GSS 1400 A)
  - (9) وصلة النفخ (GSS 1400 A)
  - (10) عنصر الفلتر (نظام المرشح الدقيق) (GSS 1400 A)
  - (11) خرطوم الشفط<sup>a</sup>
  - (12) عدة تثقيب<sup>a</sup>
- a) يتضمن إطار التوريد الاعتيادي التوايح المصورة أو المشروحة. تجد التوايح الكاملة في برنامجنا للتوايح.

- الممكن التحكم بها عن طريق مفتاح التشغيل والإطفاء تعتبر خطيرة ويجب أن يتم إصلاحها.
- ◀ **اسحب القابس من المقبس و/أو اخلع المركم، إذا كان قابلا للخلع، قبل ضبط الجهاز وقبل استبدال الملحقات أو قبل تخزين الجهاز.** تمنع هذه الإجراءات وقائية تشغيل العدة الكهربائية بشكل غير مقصود.
- ◀ **احتفظ بالعدد الكهربائية التي لا يتم استخدامها بعيدا عن متناول الأطفال.** لا تسمح باستخدام العدة الكهربائية لمن لا خبرة له بها أو لمن لم يقرأ تلك التعليمات. العدد الكهربائية خطيرة إن تم استخدامها من قبل أشخاص دون خبرة.
- ◀ **اعتن بالعدة الكهربائية والملحقات بشكل جيد.** تأكد أن أجزاء الجهاز المتحركة مركبة بشكل سليم وغير مستعصية عن الحركة، وتفحص ما إن كانت هناك أجزاء مكسورة أو في حالة تؤثر على سلامة أداء العدة الكهربائية. ينبغي إصلاح هذه الأجزاء التالفة قبل إعادة تشغيل الجهاز. الكثير من الموادث مصدرها العدد الكهربائية التي تتم صيانتها بشكل رديء.
- ◀ **احرص على إبقاء عدد القطع نظيفة وحادة.** إن عدد القطع ذات حواف القطع المادة التي تم صيانتها بعناية تتكلم بشكل أقل ويمكن توجيهها بشكل أيسر.
- ◀ **استخدم العدد الكهربائية والتوايح ورش الشغل إلخ. وفقا لهذه التعليمات. تراعى أثناء ذلك ظروف الشغل والعمل المراد تنفيذه.** استخدام العدد الكهربائية لغير الأشغال المخصصة لأجلها قد يؤدي إلى حدوث الحالات الخطيرة.
- ◀ **احرص على إبقاء المقابض وأسطح المسك جافة ونظيفة وخالية من الزيوت والشحوم.** المقابض وأسطح المسك الزلقة لا تتبع التشغيل والتحكم الأمان في العدة في المواقف غير المتوقعة.

## الخدمة

- ◀ **احرص على إصلاح عدتك الكهربائية فقط بواسطة العمال المتخصصين وباستعمال قطع الغيار الأصلية فقط.** يضمن ذلك المحافظة على أمان الجهاز.

## إرشادات الأمان الخاصة بالمجلاة

- ◀ **استخدم العدة الكهربائية فقط للتجليلج الجاف.** يزداد خطر الصدمات الكهربائية إن تسرب الماء إلى داخل العدة الكهربائية.
- ◀ **تنبيه لخطر الحريق! تجنب تعرض القطعة التي يتم جليجها والمجلاة للسخونة المفرطة.** قم دائما بتفريغ وعاء البخار قبل فترات الراحة أثناء العمل. قد يتحرق غبار التجليلج الموجود بكيس الغبار، والفلتر الدقيق، وكيس النفايات الورقية (أو في الفلتر أو في فلتر المكثفة) من جراء الاستخدام غير المناسب، مثل تطاير الشرر أثناء تجليلج المعادن.

## البيانات الفنية

GSS 1400 A	GSS 1400	جلاخة متأرجحة	
3 601 BA2 1..	3 601 BA2 0..		رقم الصنف
180	180	واط	قدرة الدخل الاسمية
12000	12000	دقيقة <sup>1</sup>	عدد اللفات اللاحملي
24000	24000	دقيقة <sup>1</sup>	عدد التآرجح اللاحملي
1,6	1,6	مم	قطر الدائرة التآرجحية
مقاسات أقراص التجليل			
107 x 115	107 x 115	مم	- تثبيت لاصق
140 x 115	140 x 115	مم	- شد بالقمط
100 x 110	100 x 110	مم	مقاسات صفيحة التجليل
1,4	1,3	كجم	الوزن حسب EPTA-Procedure 01:2014
II/□	II/□		فئة الحماية

تسري البيانات على جهد اسمي [U] يبلغ 230 فولت. قد تختلف تلك البيانات حسب اختلاف الجهد والطرزات الخاصة بكل دولة.

اطرق على نسيج فلكر اللصق الخاص بصفيحة التجليل (4) قبل تركيب قرص التجليل (6) لإتاحة قدرة الالتصاق المثالية.

ضع قرص التجليل (6) على أحد جانبي صفيحة التجليل (4) بتساطح، ثم ضع قرص التجليل على صفيحة التجليل وثبته بإحكام.

لنزع قرص التجليل (6) أمسك بأحد أطرافه واجذبه من صفيحة التجليل (4) لخلعها.

## اختيار قرص التجليل

تتوفر أقراص التجليل مختلفة حسب المادة المرغوب معالجتها وحسب كمية الإزاحة المرغوبة عن سطح المادة:

## الجببات

240-40

red: Wood

## لمعالجة شتى أنواع المواد الخشبية

تقريبي	60, 40	للتجليل الأولي في العوارض والألواح الخشبية والخشنة وغير المصقولة على سبيل المثال
--------	--------	--

متوسط	120, 80	للتجليل السطحي وتسوية مواضع عدم الاستواء الصغيرة
-------	---------	--

دقيق	180, 240	لإنهاء وتنعيم تجليخ الأخشاب الصلدة
------	----------	------------------------------------

240-40

White: Paint

## لمعالجة طبقات الطلاء والورنيش أو الطلاء الأولي كالمعجون والحشوة

تقريبي	60, 40	لإزالة الطلاء بالتجليل
--------	--------	------------------------

متوسط	120, 80	لتجليخ الطلاء الأولي
-------	---------	----------------------

دقيق	180, 240	للتجليخ النهائي لطلاء الأولي قبل دقيقتي
------	----------	---

## شفط الغبار/النشارة

إن غبار بعض المواد كالطلاء الذي يحتوي على الرصاص، وبعض أنواع الخشب والفلزات والمعادن،

## التركيب

◀ اسحب القابس من مقبس الشبكة الكهربائية قبل إجراء أي عمل على العدة الكهربائية.

## تغيير قرص التجليل

قبل تركيب قرص التجليل الجديد، قم بإزالة الاتساخات والغبار من صفيحة التجليل (4)، باستخدام فرشاة مثلاً. احرص على مراعاة تطابق الثقوب الموجودة في قرص التجليل مع الفتحات بصفيحة التجليل لضمان الشفط المثالي للغبار.

## أقراص التجليل غير المزودة بتجهيزة لصق (انظر الصور C-A)

① قم بفك مشبكي القمط (5) من موضع التثبيت، وحركهما إلى أسفل.

② أدخل قرص التجليل (6) أسفل عارضة القمط الخلفية (3). احرص على ألا يكون قرص التجليل (6) أقصر من اللازم، وعلى أن يتم قمطه بثبات. أرجع مشبك القمط (5) إلى وضعه الأصلي وقم بتأمين قفله.

③ قم بمد قرص التجليل بشكل مشدود حول صفيحة التجليل (4). قم بزق الجزء الأمامي لقرص التجليل أسفل مشبك القمط الأمامي (7). احرص على ألا يكون قرص التجليل (6) أقصر من اللازم، وعلى أن يتم قمطه بثبات. أرجع مشبك القمط (5) إلى وضعه الأصلي وقم بتأمين قفله.

يمكنك ثقب أقراص التجليل غير المثقوبة، مثل المتوفرة بالبكرة أو بالمتر، لغرض شفط الأتربة وذلك باستخدام عدة التنقيب (12). للقيام بهذا اضغط العدة الكهربائية على عدة التنقيب بينما قرص التجليل مركب (انظر الصورة F).

لخلع قرص التجليل (6) قم بفك مشبكي القمط (5) واخلع قرص التجليل من الحامل.

## أقراص التجليل بالتثبيت اللاصق

إذا كانت صفيحة التجليل (4) مجهزة بنسيج فيلكرو اللاصق يمكنك تثبيت أقراص التجليل بسرعة وبسهولة عن طريق لصقها فيها.

تشغيل العدد الكهربائية المميزة بعلامة  
230 فلط في مقبس 220 فلط أيضا.

### التشغيل والإطفاء

◀ تأكد أنه بإمكانك الضغط على زر التشغيل/  
الإيقاف دون ترك المقبض اليدوي.

لغرض تشغيل العدة الكهربائية حرك مفتاح التشغيل  
والإطفاء (1) إلى اليمين على الوضع „I“.  
لغرض إطفاء العدة الكهربائية حرك مفتاح التشغيل  
والإطفاء (1) إلى اليسار على الوضع „O“.

### إرشادات العمل

◀ انتظر إلى أن تتوقف العدة الكهربائية عن  
الحركة قبل أن تضعها جانبا.

يتمّ تحديد قدرة الإزاحة عند التجليخ بشكل كبير من  
خلال اختيار قرص التجليخ.  
فقط أوراق الصنفرة السليمة هي التي تؤدي إلى أداء  
تجليخ جيد وإلى صيانة العدة الكهربائية.  
راع المحافظة على ضغط تلامس منتظم لزيادة فترة  
صلاحية ورق الصنفرة.  
لا يؤدي زيادة الضغط على الجهاز إلى أداء تجليخ أعلى  
بل إلى استهلاك أشد للعدة الكهربائية ولورق  
الصنفرة.  
لا تستخدم ورقة صنفرة سبق وتم استعمالها لمعالجة  
المعادن لمعالجة المواد الأخرى بعد ذلك.  
اقتصر على استخدام توابع التجليخ الأصلي **Bosch**.

## الصيانة والخدمة

### الصيانة والتنظيف

◀ اسحب القابس من مقبس الشبكة الكهربائية  
قبل إجراء أي عمل على العدة الكهربائية.

◀ للعمل بشكل جيد وأمن حافظ دائما على  
نظافة العدة الكهربائية وفتحات التهوية.

إذا تطلب الأمر استبدال خط الإمداد، فينبغي أن يتم  
ذلك من قبل شركة **Bosch** أو من قبل مركز خدمة  
الزبائن المعتمد لشركة **Bosch** للعدد الكهربائية،  
لتجنب التعرض للمخاطر.

### خدمة العملاء واستشارات الاستخدام

يجيب مركز خدمة العملاء على الأسئلة المتعلقة بإصلاح  
المنتج وصيانتته، بالإضافة لقطع الغيار. تجد الرسوم  
التفصيلية والمعلومات الخاصة بقطع الغيار في  
الموقع: [www.bosch-pt.com](http://www.bosch-pt.com)  
يسر فريق **Bosch** لاستشارات الاستخدام مساعدتك  
إذا كان لديك أي استفسارات بخصوص منتجاتنا  
وملحقاتها.

يلزم ذكر رقم الصف ذو الخانات العشر وفقا للوحة  
صنع المنتج عند إرسال أية استفسارات أو طلبيات  
قطع غيار.

### المغرب

Robert Bosch Morocco SARL

53 شارع الملازم محمد محروود

20300 الدار البيضاء

الهاتف: 212 5 29 31 43 27

البريد الإلكتروني: [sav.outillage@ma.bosch.com](mailto:sav.outillage@ma.bosch.com)

قد تكون مضرّة بالصحة. إن ملامسة أو استنشاق غبار  
قد يؤدي إلى أعراض حساسية و/أو إلى أمراض  
الجهاز التنفسي لدى المستخدم أو لدى الأشخاص  
المتواجدين على مقربة من المكان.

تعتبر بعض الأغبرة المعينة، كأغبرة البلوط والزان،  
مسببة للسرطان، ولا سيما عند الارتباط بالمواد  
الإضافية لمعالجة الخشب (ملع جامض الكروميك،  
المواد الحافظة للخشب). يجوز أن يتم معالجة المواد  
التي تحتوي على الأسبستوس من قبل العمال  
المتخصصين فقط دون غيرهم.

– استخدم شافطة غبار ملائمة للمادة قدر الإمكان.  
– حافظ على تهوية مكان الشغل بشكل جيد.

– ينصح بارتداء قناع وقاية للتنفس بفئة المرشح P2.  
تراعى الأحكام السارية في بلدكم بالنسبة للمواد  
المرغوب معالجتها.

◀ تجنب تراكم الغبار بمكان العمل. يجوز أن  
تشتعل الأغبرة بسهولة.

### الشفط الذاتي مع استخدام صندوق غبار (انظر الصور GSS 1400 AD4-D1)

حرك صندوق الغبار (2) على وصلة النفخ (9).

يمكن مراقبة مستوى امتلاء صندوق الغبار (2) من  
خلال الزران الشفاف.

لتفريغ صندوق الغبار (2) ينبغي أن تفكه من خلال  
سحبه نحو الخلف أثناء إدارته قليلا.

قم بفتح عنصر الترشيح (10) من صندوق الغبار (2).  
قم بتفريغ صندوق الغبار.

اطرق عنصر المرشح (10) بخفة على أرضية ثابتة  
لإخراج الغبار. قم بتنظيف شرائح عنصر الفلتر (10)  
باستخدام فرشاة ناعمة.

إرشاد: لضمان قدرة شفط مثالية للغبار قم بتفريغ  
صندوق الغبار (2) في الوقت المناسب و قم بتنظيف  
عنصر الترشيح (10) بانتظام.

امسك بالعدة الكهربائية بحيث يشير صندوق الغبار  
نحو الأسفل عند إجراء الأعمال على السطوح  
العمودية (2).

### الشفط الخارجي (انظر الصورة GSS 1400 AE)

أدخل خرطوم الشفط (11) (الملحقات) في وصلة  
النفخ (9). قم بتوصيل خرطوم الشفط (11) بشفاط  
الغبار (ملحق تكميلي).

يجب أن تصلح شافطة الغبار الخوائية للاستعمال مع  
مادة الشغل المرغوب معالجتها.

استخدم شافطة غبار خوائية خاصة عند شفط الأغبرة  
المضرة بالصحة أو المسببة للسرطان أو الشديدة  
الجفاف.

امسك بالعدة الكهربائية بحيث يدل خرطوم الشفط  
نحو الأسفل عند إجراء الأعمال على السطوح  
العمودية.

## التشغيل

### بدء التشغيل

◀ يراعى جهد الشبكة الكهربائية! يجب أن يتطابق  
جهد منبع التيار مع البيانات المذكورة على  
لوحة صنع العدة الكهربائية. يمكن أن يتم

تجد المزيد من عناوين الخدمة تحت:  
[www.bosch-pt.com/serviceaddresses](http://www.bosch-pt.com/serviceaddresses)

### التخلص من العدة الكهربائية

ينبغي تسليم العدة الكهربائية والتوابع والعبوة إلى مركز معالجة النفايات بطريقة محافظة على البيئة. لا ترم العدة الكهربائية ضمن النفايات المنزلية.



مناسب برای محیط باز، خطر برق گرفتگی را کم می کنند.

◀ در صورت لزوم کار با ابزار برقی در محیط و اماکن مرطوب، باید از یک کلید حفاظتی جریان خطا و نشستی زمین (کلید قطع کننده اتصال با زمین) استفاده کنید. استفاده از کلید حفاظتی جریان خطا و نشستی زمین خطر برق گرفتگی را کاهش می دهد.

#### رعایت ایمنی اشخاص

◀ حواس خود را خوب جمع کنید، به کار خود دقت کنید و با فکر و هوشیاری کامل با ابزار برقی کار کنید. در صورت خستگی و یا در صورتی که مواد مخدر، الکل و دارو استفاده کرده‌اید، با ابزار برقی کار نکنید. یک لحظه بی توجهی هنگام کار با ابزار برقی، میتواند جراثم های شدیدی به همراه داشته باشد.

◀ از تجهیزات ایمنی شخصی استفاده کنید. همواره از عینک ایمنی استفاده نمایید.

استفاده از تجهیزات ایمنی مانند ماسک ضد گرد و غبار، کفشهای ایمنی ضد لغزش، کلاه ایمنی و گوشی محافظ متناسب با نوع کار با ابزار برقی، خطر مجروح شدن را کاهش میدهد.

◀ مواظب باشید که ابزار برقی بطور ناخواسته بکار نیفتد. قبل از وارد کردن دوشاخه دستگاه در پریز برق، اتصال آن به باتری، برداشتن آن و یا حمل دستگاه، باید دقت کنید که ابزار برقی خاموش باشد. در صورتی که هنگام حمل دستگاه انگشت شما روی دکمه قطع و وصل باشد و یا دستگاه را در حالت روشن به برق بزنید، ممکن است سوانع کاری پیش آید.

◀ قبل از روشن کردن ابزار برقی، همه ابزارهای تنظیم کننده و آپارها را از روی دستگاه بردارید. ابزار و آپارهایی که روی بخش های چرخنده دستگاه قرار دارند، میتوانند باعث ایجاد جراثم شوند.

◀ وضعیت بدن شما باید در حالت عادی قرار داشته باشد. برای کار جای مطمئنی برای خود انتخاب کرده و تعادل خود را همواره حفظ کنید. به این ترتیب میتوانید ابزار برقی را در وضعیتهای غیر منتظره بهتر تحت کنترل داشته باشید.

◀ لباس مناسب بپوشید. از پوشیدن لباسهای گشاد و حمل زینت آلات خودداری کنید. موها و لباس خود را از بخشهای در حال چرخش دستگاه دور نگه دارید. لباسهای گشاد، موی بلند و زینت آلات ممکن است در قسمتهای در حال چرخش دستگاه گیر کنند.

◀ در صورتی که تجهیزاتی برای اتصال وسائل مکش گرد و غبار و یا وسیله جمع کننده گرد و غبار ارائه شده است، باید مطمئن شوید که این وسائل درست نصب و استفاده می شوند. استفاده از وسائل مکش گرد و غبار مصونیت شما را در برابر گرد و غبار زیاده تر میکند.

◀ آشنایی با ابزار به دلیل کار کردن زیاد با آن نباید باعث سهل انگاری شما و نادیده گرفتن اصول ایمنی شود. بی دقتی ممکن است باعث بروز جراحاتی در عرض کسری از ثانیه شود.

## فارسی

### دستورات ایمنی

#### نکات ایمنی عمومی برای ابزارهای برقی

##### هشدار

کلیه هشدارها، دستورالعملها، تصاویر و

مشخصات ارائه شده به همراه ابزار برقی را مطالعه کنید. اشتباهات ناشی از عدم رعایت این دستورات ایمنی ممکن است باعث برق گرفتگی، سوختگی و یا سایر جراثم های شدید شود.

کلیه هشدارهای ایمنی و راهنماییها را برای آینده خوب نگهداری کنید.

عبارت «ابزار برقی» در هشدارها به ابزارهایی که به پریز برق متصل میشوند (با سیم برق) و یا ابزارهای برقی باتری دار (بدون سیم برق) اشاره دارد.

##### ایمنی محل کار

◀ محیط کار را تمیز و روشن نگه دارید. محیطهای در هم ریخته یا تاریک احتمال بروز حادثه را افزایش میدهند.

◀ ابزار برقی را در محیطهایی که خطر انفجار وجود دارد و حاوی مایعات، گازها و بخارهای متحرکه هستند، به کار نگیرید. ابزارهای برقی چرخههایی ایجاد میکنند که میتوانند باعث آتش گرفتن گرد و غبارهای موجود در هوا شوند.

◀ هنگام کار با ابزار برقی، کودکان و سایر افراد را از دستگاه دور نگه دارید. در صورتیکه حواس شما پرت شود، ممکن است کنترل دستگاه از دست شما خارج شود.

##### ایمنی الکتریکی

◀ دوشاخه ابزار برقی باید با پریز برق تناسب داشته باشد. هیچگونه تغییری در دوشاخه ایجاد نکنید. مبدل دوشاخه نباید همراه با ابزار برقی دارای اتصال زمین استفاده شود. دوشاخههای اصل و تغییر داده نشده و پریزهای مناسب، خطر برق گرفتگی را کاهش میدهند.

◀ از تماس بدنی با قطعات متصل به سیم اتصال زمین مانند لوله، شوفاژ، اجاق برقی و یخچال خودداری کنید. در صورت تماس بدنی با سطوح و قطعات دارای اتصال به زمین و همچنین تماس شما با زمین، خطر برق گرفتگی افزایش می یابد.

◀ ابزارهای برقی را در معرض باران و رطوبت قرار ندهید. نفوذ آب به ابزار برقی، خطر شوک الکتریکی را افزایش میدهد.

◀ از سیم دستگاه برای مقاصد دیگر استفاده نکنید. هرگز برای حمل ابزار برقی، کشیدن آن یا خارج کردن دوشاخه از سیم دستگاه استفاده نکنید. کابل دستگاه را از حرارت، روغن، لیبهای تیز یا قطعات متحرک دور نگه دارید. کابلهای آسیب دیده و یا گره خورده خطر شوک الکتریکی را افزایش میدهند.

◀ هنگام استفاده از ابزار برقی در محیطهای باز، تنها از کابل رابطی استفاده کنید که برای محیط باز نیز مناسب باشد. کابل های رابط



سایش در محفظه گرد و غبار، فیلتر ظریف، کیسه کاغذی (یا در کیسه فیلتر یا کیسه مکنده) ممکن است در شرایط نامناسبی مانند پرش جرقه هنگام سابزدن فلزات، خودبه‌خود آتش بگیرند. بخصوص وقتی که گرد و غبار ناشی از سایش، دارای رنگ، بقایای پلیاتان یا سایر مواد شیمیایی و قطعه کار پس از کار طولانی داغ شده باشد، خطرناک است.

◀ **شیارهای تهویه ابزار برقی خود را مرتب تمیز کنید.** گرد و غباری که از طریق پروانه موتور به داخل محفظه وارد شود و یا تجمع زیاد براده فلز در آن ممکن است سوانع و خطرات الکتریکی را منجر گردد.

◀ **قطعه کار را محکم کنید.** در صورتیکه قطعه کار به وسیله تجهیزات نگهدارنده و یا بوسیله گیره محکم شده باشد، قطعه کار مطمئن تر نگه داشته میشود، تا اینکه بوسیله دست نگهداشته شود.

◀ **قبل از کنار گذاشتن ابزار برقی صبر کنید تا دستگاه بطور کامل از کار و حرکت بایستد.**

## توضیحات محصول و کارکرد

همه دستورات ایمنی و راهنماها را بخوانید. اشتباهات ناشی از عدم رعایت این دستورات ایمنی ممکن است باعث برفکرفتگی، سوختگی و یا سایر جراحات های شدید شود.



به تصویرهای واقع در بخشهای اول دفترچه راهنما توجه کنید.

## موارد استفاده از دستگاه

ابزار برقی برای سایشکاری روی چوب، پلاستیک، فلز، بتونه و نیز سطوح رنگکاری شده در نظر گرفته شده است.

## تصاویر اجزاء دستگاه

شماره های اجزاء دستگاه که در تصویر مشاهده میشود، مربوط به شرح ابزار برقی می باشد که تصویر آن در این دفترچه آمده است.

- (1) کلید روشن/خاموش
- (2) محفظه کامل گرد و غبار (Microfilter System) (GSS 1400 A)
- (3) گیره عقبی
- (4) صفحه سنباده
- (5) گیره (2 عدد)
- (6) کاغذ سنباده<sup>a</sup>
- (7) گیره جلویی
- (8) دسته (دارای روکش عایق) (دسته نرم فقط در GSS 1400 A)
- (9) لوله خروجی گرد و غبار (GSS 1400 A)
- (10) المنت فیلتر (Microfilter System) (GSS 1400 A)
- (11) شیلنگ مکش<sup>a</sup>

## استفاده صحیح از ابزار برقی و مراقبت از آن

◀ **از وارد کردن فشار زیاد روی دستگاه خودداری کنید.** برای هر کاری، از ابزار برقی مناسب با آن استفاده کنید. بکار گرفتن ابزار برقی مناسب باعث میشود که بتوانید از توان دستگاه بهتر و با اطمینان بیشتر استفاده کنید.

◀ **در صورت ایراد در کلید قطع و وصل ابزار برقی، از دستگاه استفاده نکنید.** ابزار برقی که نمی توان آنها را قطع و وصل کرد، خطرناک بوده و باید تعمیر شوند.

◀ **قبل از تنظیم ابزار برقی، تعویض متعلقات و یا کنار گذاشتن آن، دوشاخه را از برق بکشید و یا باتری آنرا خارج کنید.** رعایت این اقدامات پیشگیری ایمنی از راه افتادن ناخواسته ابزار برقی جلوگیری می کند.

◀ **ابزار برقی را در صورت عدم استفاده، از دسترس کودکان دور نگه دارید و اجازه ندهید که افراد ناوارد و یا اشخاصی که این دفترچه راهنما را نخوانده‌اند، با این دستگاه کار کنند.** قرار گرفتن ابزار برقی در دست افراد ناوارد و بی تجربه خطرناک است.

◀ **از ابزار برقی و متعلقات خوب مراقبت کنید.** مواظب باشید که قسمت های متحرک دستگاه خوب کار کرده و گیر نکنند. همچنین دقت کنید که قطعات ابزار برقی شکسته و یا آسیب دیده نباشند. قطعات آسیب دیده را قبل از شروع به کار تعمیر کنید. علت بسیاری از سوانع کاری، عدم مراقبت کامل از ابزارهای برقی می باشد.

◀ **ابزار برش را تیز و تمیز نگه دارید.** ابزار برشی که خوب مراقبت شده و از لبه های تیز برخوردار است، کمتر در قطعه کار گیر کرده و بهتر قابل هدایت است.

◀ **ابزار برقی، متعلقات، متهای دستگاه و غیره را مطابق دستورات این جزوه راهنما به کار گیرید و به شرایط کاری و نوع کار نیز توجه داشته باشید.** استفاده از ابزار برقی برای عملیاتی به جز مقاصد در نظر گرفته شده، میتواند به بروز شرایط خطرناک منجر شود.

◀ **دستها و سطوح عایق را همواره خشک، تمیز و عاری از روغن و گریس نگه دارید.** دسته های لغزنده مانع ایمنی و کنترل در کار در شرایط غیر منتظره هستند.

## سرویس

◀ **برای تعمیر ابزار برقی فقط به متخصصین حرفهای رجوع کنید و از قطعات یدکی اصل استفاده نمایید.** این باعث خواهد شد که ایمنی دستگاه شما تضمین گردد.

## دستورات ایمنی برای دستگاه ساب

◀ **از ابزار برقی تنها برای ساب خشک استفاده کنید.** نفوذ آب به ابزار الکتریکی، خطر شوک الکتریکی را افزایش میدهد.

◀ **احتیاط: خطر آتشسوزی! از داغ شدن بیش از اندازه قطعهکار و دستگاه ساب جلوگیری کنید.** قبل از انجام استراحت کاری، محفظه گرد و غبار را خالی کنید. گرد و غبار ناشی از

(a) کلیه متعلقاتی که در تصویر و یا در متن آمده است، بطور معمول همراه دستگاه ارائه نمی شود. لطفاً لیست کامل متعلقات را از فهرست برنامه متعلقات اقتباس نمایند.

(12) ابزار سوراخ زن<sup>a</sup>

## مشخصات فنی

سنباده تخت لرزان		GSS 1400		GSS 1400 A	
شماره فنی		3 601 BA2 0..		3 601 BA2 1..	
توان ورودی نامی		180		180	
سرعت در حالت آزاد		12'000		12'000	
سرعت لرزش در حالت آزاد		24'000		24'000	
قطر میدان لرزش		1,6		1,6	
ابعاد کاغذ سنباده		mm		mm	
- چسبندگی		mm		mm	
- مهار کنندگی		mm		mm	
ابعاد صفحه سنباده		mm		mm	
وزن مطابق استاندارد EPTA-Procedure 01:2014		kg		kg	
کلاس ایمنی		II / □		II / □	

مقادیر برای ولتاژ نامی [U] 230 ولت میباشند. برای ولتاژهای مختلف و تولیدات مخصوص کشورها، ممکن است این مقادیر متفاوت باشند.

جهت برداشتن صفحه سنباده (6) هر دو گیره نگهدارنده (5) را باز کنید و کاغذ سنباده را از نگهدارنده بیرون آورید.

### کاغذ سنبادههای چسبنده

در صورتی که صفحه سنباده (4) مجهز به یک بافت چسبنده است، میتوان با آن کاغذ سنباده را از قسمت چسبنده سریع و آسان متصل کرد.

بافت چسبنده صفحه سنباده (4) را قبل از گذاشتن کاغذ سنباده (6) را تکان دهید تا چسبندگی بهینه بدست آید.

کاغذ سنباده (6) را روی یک طرف صفحه سنباده (4) همسطح قرار دهید تا کاغذ سنباده روی صفحه سنباده قرار گیرد و آن را خوب فشار دهید. برای برداشتن کاغذ سنباده (6) آن را از یک گوشه بگیرید و آن را از صفحه سنباده (4) بردارید.

### انتخاب کاغذ سنباده

متناسب با جنس قطعه کار و مقداری که باید از قطعه کار تراشیده شود، کاغذ های سنباده مختلفی عرضه میشود:

ضخامت		red: Wood	
240-40		جهت کار روی انواع چوب	
تقریبی 60, 40	برای سایش اولیه تختها یا تیرهای زیر و رنده نشده		
متوس 120, 80 ط	برای سایش کلی و رفع ناهمواریهای کوچک		
دقیق 180, 240	برای سنباده زدن نهائی و ظریف چوب های سخت		
240-40		white: Paint	

## نصب

◀ پیش از انجام هرگونه کاری بر روی ابزار الکتریکی، دوشاخه اتصال آنرا از داخل پریز برق بیرون بکشید.

### تعویض کاغذ سنباده

قبل از قرار دادن کاغذ سنباده جدید، آلودگی و گرد وغبار را، برای مثال با یک قلم مو، از صفحه سنباده (4) بردارید.

برای اطمینان از مکش بهینه، دقت کنید که سوراخ های موجود در کاغذ سنباده با سوراخ های روی صفحه سنباده مطابقت داشته باشند.

### کاغذهای سنباده بدون چسبندگی (رجوع کنید به تصاویر C-A)

① هر دو گیره (5) را از قفل باز کنید و آنها را به پایین بکشید.

② صفحه سنباده (6) را زیر گیره ی عقبی (3) برانید. دقت کنید که صفحه سنباده (6) زیاد کوتاه نباشد و درست محکم شود. گیره (5) را به حالت اولیه برگردانید و در همان جا قفل کنید.

③ کاغذ سنباده را کشیده دور صفحه سنباده (4) قرار دهید. قسمت جلویی صفحه سنباده را زیر گیره ی جلویی (7) محکم کنید. دقت کنید که صفحه سنباده (6) زیاد کوتاه نباشد و درست محکم شود. گیره (5) را به حالت اولیه برگردانید و در همان جا قفل کنید.

صفحه سنباده های بدون سوراخ، مانند سنباده های متزی یا نواری را می توان با ابزار سوراخزن (12) سوراخ کرد. بدین منظور ابزار برقی را همراه با صفحه سنباده روی ابزار سوراخ کننده فشار دهید (رجوع کنید به تصویر F).

## مکش خارجی (رجوع کنید به تصویر E) (GSS 1400 A)

شلنگ مکند (11) (متعلقات) را روی لوله ی خروجی گرد و غبار (9) قرار دهید. شلنگ مکند (11) را به یک مکند (متعلقات) وصل کنید.

دستگاه مکند باید برای قطعه کار مورد نظر مناسب باشد.

برای مکش گرد و غباری که برای سلامتی مضرند و سرطان زا هستند و یا برای مکش تراشه های خشک باید از یک دستگاه مکند مخصوص استفاده کنید. ابزار برقی را در طول کار در سطوح عمودی طوری نگهدارید که شلنگ مکش طرف پایین را نشان دهد.

## طرز کار با دستگاه

### راه اندازی و نحوه کاربرد دستگاه

- ◀ به ولتاژ شبکه برق توجه کنید! ولتاژ منبع جریان برق باید با مقادیر موجود بر روی برچسب ابزار الکتریکی مطابقت داشته باشد. ابزارهای برقی را که با ولتاژ 230 V ولت مشخص شده اند، می توان تحت ولتاژ 220 V ولت نیز بکار برد.

### نحوه روشن و خاموش کردن

- ◀ از فعال کردن کلید قطع و وصل بدون رها کردن دسته مطمئن شوید.

برای روشن کردن ابزار برقی، کلید قطع و وصل (1) را به راست به حالت „I“ برانید.

برای خاموش کردن ابزار برقی، کلید قطع و وصل (1) را به چپ به حالت „O“ برانید.

### نکات عملی

- ◀ قبل از کنار گذاشتن ابزار برقی صبر کنید تا دستگاه بطور کامل از کار و حرکت بایستد.

میزان و توان لایه برداری به هنگام سنباده کاری عمدتاً به انتحاب نوع کاغذ سنباده بستگی دارد. فقط کاغذهای سنباده سالم قدرت سایش را بالا برده و طول عمر ابزار برقی را حفظ می کنند.

سعی کنید که همیشه با فشار منظم و متعادل بر روی قطعه کار کنید، تا دوام کاغذ های سنباده افزایش یابند.

فشار بیش از حد بر روی قطعه کار باعث افزایش توان سنباده کاری نمیشد، بلکه منجر به استهلاک ابزار برقی و کاغذ سنباده می شود.

کاغذ سنباده ای که از آن برای سنباده کاری فلزات استفاده شده است، آنرا برای سنباده کاری قطعات دیگر بکار نبرید.

تنها متعلقات ساب اصلی Bosch را بکار برید.

## مراقبت و سرویس

### مراقبت، تعمیر و تمیز کردن دستگاه

- ◀ پیش از انجام هرگونه کاری بر روی ابزار الکتریکی، دوشاخه اتصال آنرا از داخل پریز برق بیرون بکشید.

## ضخامت

برای کار روی سطح های دارای رنگ و لاک و یا سایش زیرکاری مانند مواد پرکننده و سطوح ملات و بتونه کاری شده

برای سنباده کاری رنگ	تقریبی 60, 40
برای سنباده کاری رنگ اولیه (ته	متوس 120, 80
رنگ)	ط
برای سنباده کاری نهائی زیر کار	دقیق 180,
قبل از رنگ زدن نهائی	240

## مکش گرد، براده و تراشه

گرد و غبار موادی مانند رنگ های دارای سرب، بعضی از چوب ها، مواد معدنی و فلزات میتوانند برای سلامتی مضر باشند. دست زدن و یا تنفس کردن گرد و غبار ممکن است باعث بروز آلرژی و یا بیماری مجاری تنفسی شخص استفاده کننده و یا افرادی که در آن نزدیکی میباشند، بشود.

گرد و غبارهای مخصوصی مانند گرد و غبار درخت بلوط و یا درخت راش سرطان زا هستند، بخصوص ترکیب آنها با سایر موادی که برای کار بر روی چوب (کرومات، مواد برای محافظت از چوب) بکار برده میشوند. فقط افراد متخصص مجازند با موادی که دارای آیزست میباشند کار کنند.

- حتی الامکان از یک دستگاه مکش مناسب و درخور ماده (قطعه کار) استفاده کنید.

- توجه داشته باشید که محل کار شما از تهویه هوای کافی برخوردار باشد.

- توصیه میشود از ماسک تنفسی ایمنی با درجه فیلتر P2 استفاده کنید.

به قوانین و مقررات معتبر در کشور خود در رابطه با استفاده از مواد و قطعات کاری توجه کنید.

- ◀ از تجمع گرد و غبار در محل کار جلوگیری کنید. گرد و غبار می توانند به آسانی مشتعل شوند.

### مکش سرخود با محفظه گرد و غبار (رجوع کنید به تصاویر GSS 1400 AD4-D1)

محفظه گرد و غبار (2) را روی لوله ی خروجی گرد و غبار (9) قرار دهید.

وضعیت پُر بودن محفظه گرد و غبار (2) را نمی توان در محفظه های دارای جداری شفاف، آسان کنترل کرد.

جهت تخلیه محفظه گرد و غبار (2) آن را به صورت کمی چرخان به عقب بکشید.

فیلتر (10) را از محفظه گرد و غبار (2) جدا کنید. محفظه گرد و غبار را تخلیه کنید.

فیلتر (10) را جهت زدودن گرد و غبار، آهسته روی یک سطح بتکانید. پرهای فیلتر (10) را با یک برس نرم تمیز کنید.

نکته: برای تضمین مکش بهینه، محفظه گرد و غبار (2) و فیلتر (10) را مرتب تمیز کنید.

ابزار برقی را هنگام کار در سطوح عمودی طوری نگهدارید که محفظه گرد و غبار (2) بیرون را نشان دهد.

### ◀ ابزار الکتریکی و شیارهای تهویه آنرا تمیز نگاه دارید، تا ایمنی شما در کار تضمین گردد.

در صورت نیاز به یک کابل یدکی برای اتصال به شبکه برق، بایستی به شرکت **Bosch** و یا به نمایندگی مجاز **Bosch** (خدمات پس از فروش) برای ابزار آلات برقی مراجعه کنید تا از بروز خطرات ایمنی جلوگیری بعمل آید.

### خدمات و مشاوره با مشتریان

خدمات مشتری، به سؤالات شما درباره تعمیرات، سرویس و همچنین قطعات یدکی پاسخ خواهد داد. نقشه‌های سه بعدی و اطلاعات مربوط به قطعات یدکی را در تارنمای زیر مییابید:

[www.bosch-pt.com](http://www.bosch-pt.com)

گروه مشاوره به مشتریان Bosch با کمال میل به سؤالات شما درباره محصولات و متعلقات پاسخ می دهند.

برای هرگونه سؤال و یا سفارش قطعات یدکی، حتماً شماره فنی 10 رقمی کالا را مطابق برچسب روی ابزار برقی اطلاع دهید.

### ایران

روبرت بوش ایران - شرکت بوش تجارت پارس  
میدان ونک، خیابان شهید خدای، خیابان آفتاب  
ساختمان مادیران، شماره 3، طبقه سوم.

تهران 1994834571

تلفن: 9821+ 42039000

آدرس سایر دفاتر خدماتی را در ادامه بیابید:

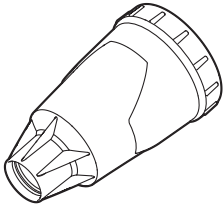
[www.bosch-pt.com/serviceaddresses](http://www.bosch-pt.com/serviceaddresses)

### از رده خارج کردن دستگاه

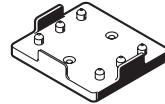
ابزار برقی، متعلقات و بسته بندی آن، باید طبق مقررات حفظ محیط زیست از رده خارج و بازیافت شوند.

ابزارهای برقی را داخل زباله دان خانگی نیاندازید!

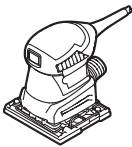




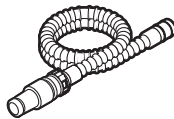
2 609 101 374  
2 605 411 240



2 610 920 650



+

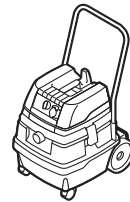


Ø 19 mm  
2 600 793 009 (3 m)  
1 610 793 002 (5 m)

+



1 609 200 933



GAS 25 L FSC  
GAS 50  
GAS 50 M