



GSH 18V-5 Professional HEAVY DUTY

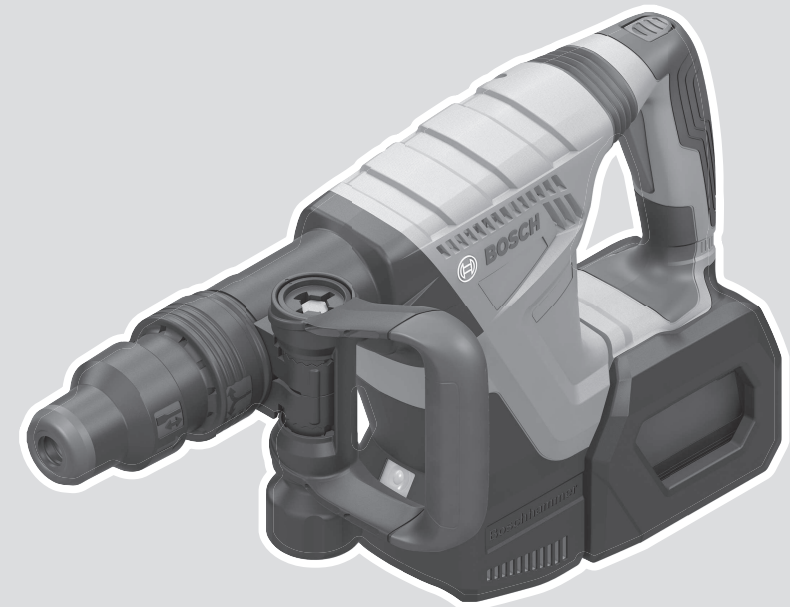
Robert Bosch Power Tools GmbH
70538 Stuttgart
GERMANY

www.bosch-pt.com

1 609 92A 8P2 (2024.06) PS / 89



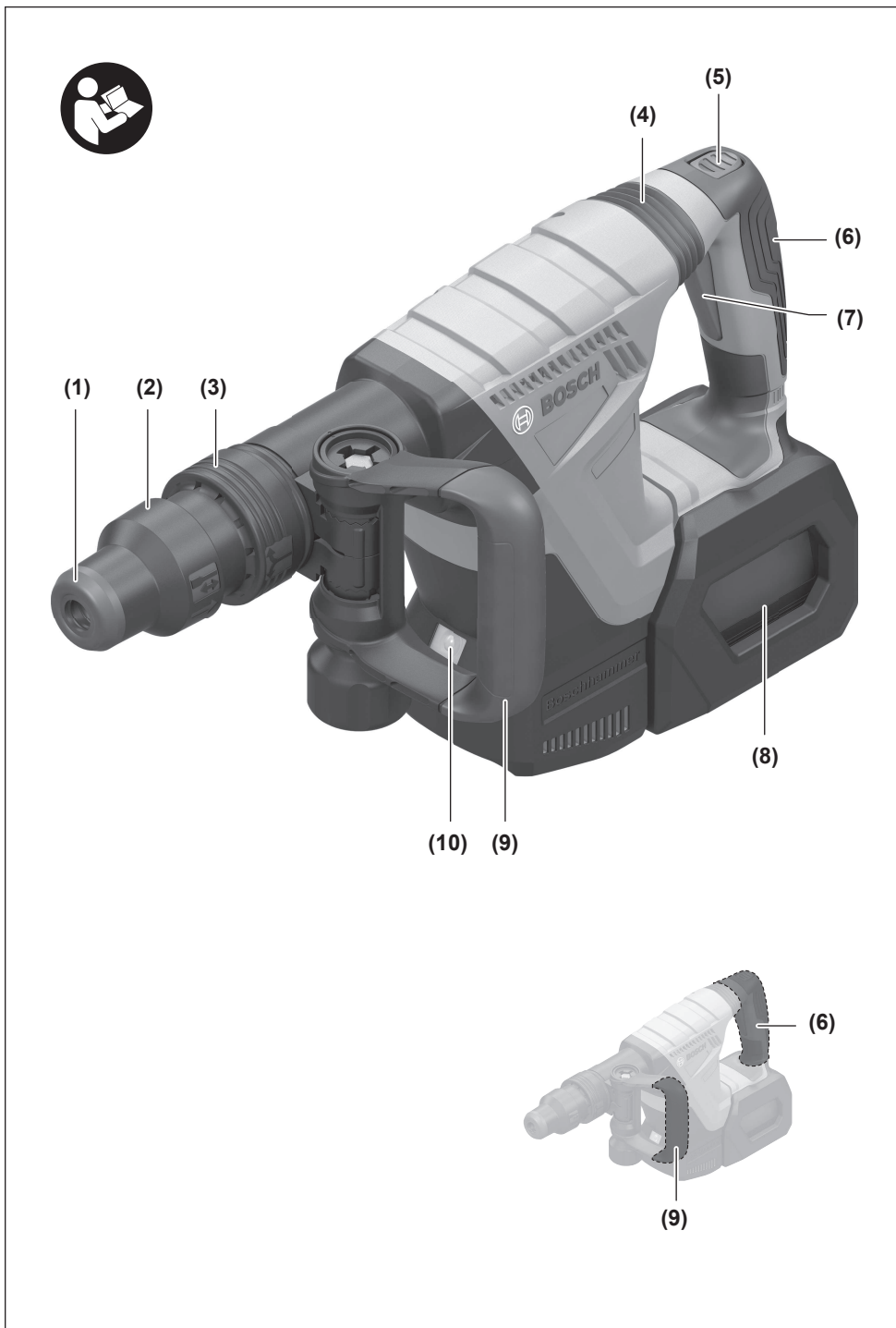
1 609 92A 8P2

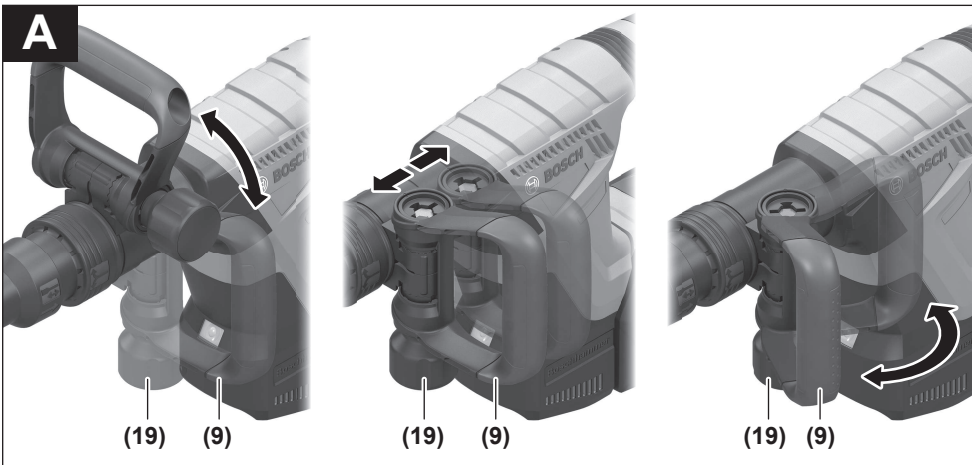
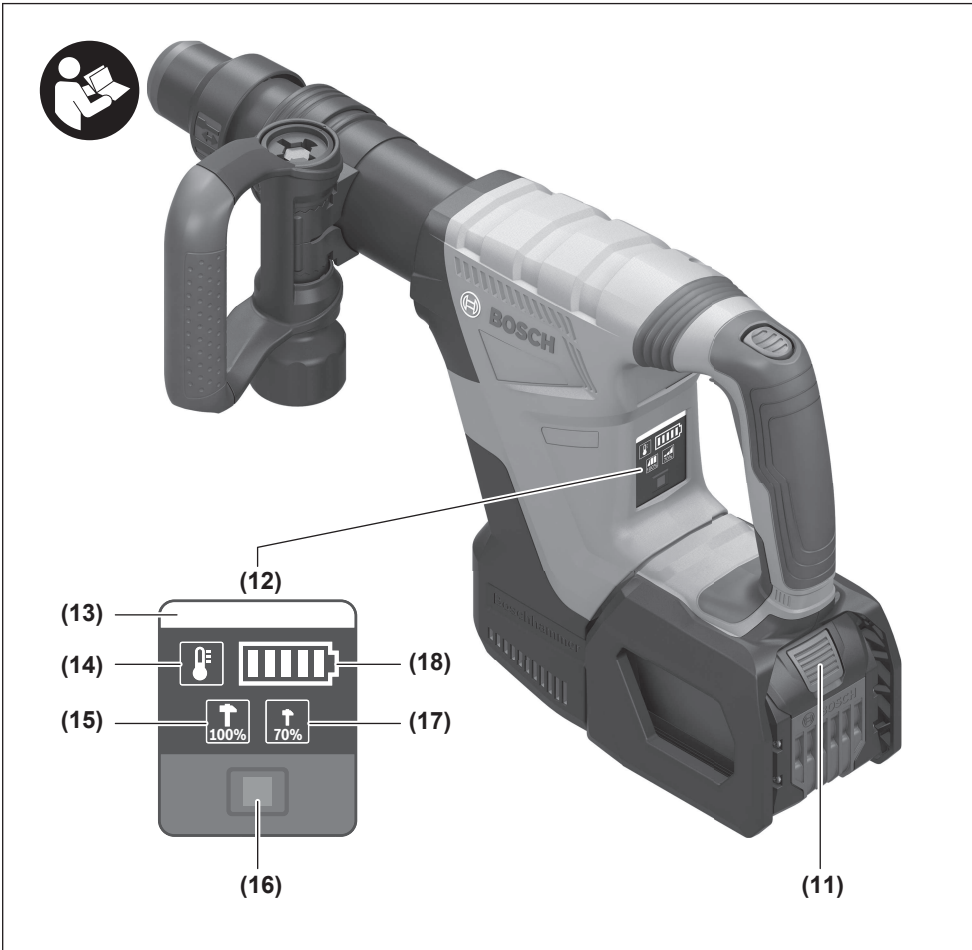


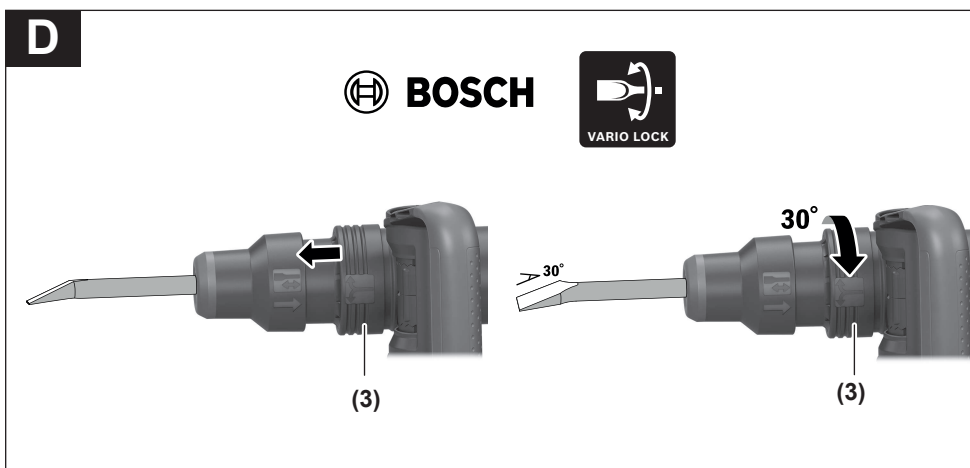
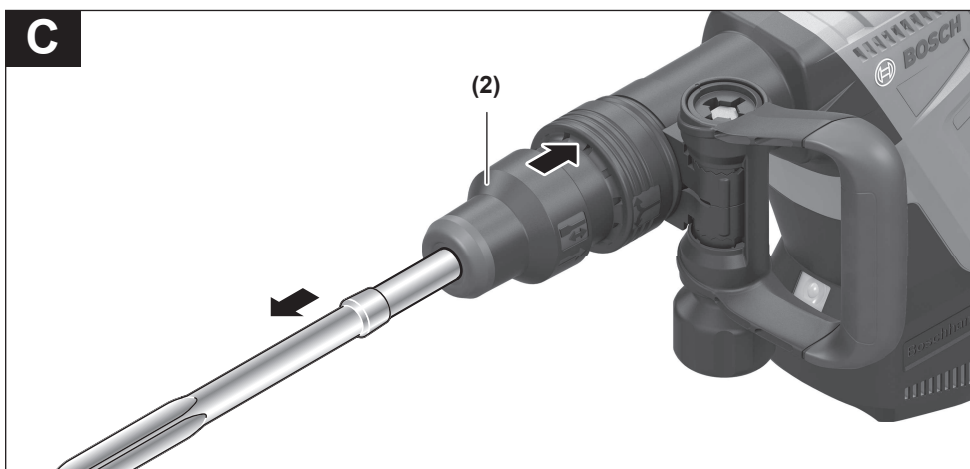
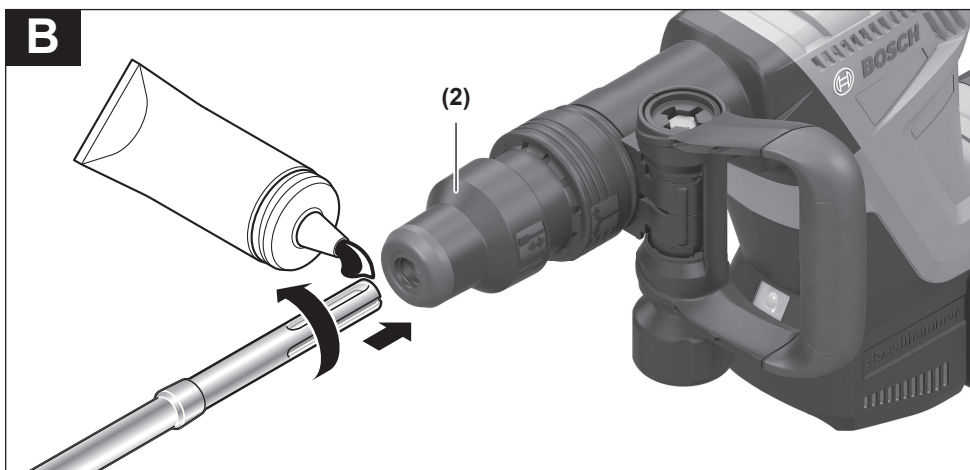
- en Original instructions
- fr Notice originale
- pt Manual original
- es Manual original
- pt Manual de instruções original
- zh 正本使用说明书
- zh 原始使用說明書
- th หนังสือคู่มือการใช้งานฉบับต้นแบบ
- id Petunjuk-Petunjuk untuk Penggunaan Orisinal
- vi Bản gốc hướng dẫn sử dụng
- ar دليل التشغيل الأصلي
- fa دفترچه راهنمای اصلی



English	Page	6
Français	Page	12
Português	Página	20
Español	Página	27
Português do Brasil	Página	34
中文	页	41
繁體中文	頁	47
ไทย	หน้า	52
Bahasa Indonesia	Halaman	59
Tiếng Việt	Trang	66
عربي	الصفحة	74
فارسی	صفحه	81







English

Safety instructions

General Power Tool Safety Warnings

⚠ WARNING Read all safety warnings, instructions, illustrations and specifications provided with this power tool. Failure to follow all instructions listed below may result in electric shock, fire and/or serious injury.

Save all warnings and instructions for future reference.

The term "power tool" in the warnings refers to your mains-operated (corded) power tool or battery-operated (cordless) power tool.

Work area safety

- ▶ **Keep work area clean and well lit.** Cluttered or dark areas invite accidents.
- ▶ **Do not operate power tools in explosive atmospheres, such as in the presence of flammable liquids, gases or dust.** Power tools create sparks which may ignite the dust or fumes.
- ▶ **Keep children and bystanders away while operating a power tool.** Distractions can cause you to lose control.

Electrical safety

- ▶ **Power tool plugs must match the outlet. Never modify the plug in any way. Do not use any adapter plugs with earthed (grounded) power tools.** Unmodified plugs and matching outlets will reduce risk of electric shock.
- ▶ **Avoid body contact with earthed or grounded surfaces, such as pipes, radiators, ranges and refrigerators.** There is an increased risk of electric shock if your body is earthed or grounded.
- ▶ **Do not expose power tools to rain or wet conditions.** Water entering a power tool will increase the risk of electric shock.
- ▶ **Do not abuse the cord. Never use the cord for carrying, pulling or unplugging the power tool. Keep cord away from heat, oil, sharp edges or moving parts.** Damaged or entangled cords increase the risk of electric shock.
- ▶ **When operating a power tool outdoors, use an extension cord suitable for outdoor use.** Use of a cord suitable for outdoor use reduces the risk of electric shock.
- ▶ **If operating a power tool in a damp location is unavoidable, use a residual current device (RCD) protected supply.** Use of an RCD reduces the risk of electric shock.

Personal safety

- ▶ **Stay alert, watch what you are doing and use common sense when operating a power tool. Do not use a power tool while you are tired or under the influence of drugs, alcohol or medication.** A moment of inatten-

tion while operating power tools may result in serious personal injury.

- ▶ **Use personal protective equipment. Always wear eye protection.** Protective equipment such as a dust mask, non-skid safety shoes, hard hat or hearing protection used for appropriate conditions will reduce personal injuries.
- ▶ **Prevent unintentional starting. Ensure the switch is in the off-position before connecting to power source and/or battery pack, picking up or carrying the tool.** Carrying power tools with your finger on the switch or energising power tools that have the switch on invites accidents.
- ▶ **Remove any adjusting key or wrench before turning the power tool on.** A wrench or a key left attached to a rotating part of the power tool may result in personal injury.
- ▶ **Do not overreach. Keep proper footing and balance at all times.** This enables better control of the power tool in unexpected situations.
- ▶ **Dress properly. Do not wear loose clothing or jewellery. Keep your hair and clothing away from moving parts.** Loose clothes, jewellery or long hair can be caught in moving parts.
- ▶ **If devices are provided for the connection of dust extraction and collection facilities, ensure these are connected and properly used.** Use of dust collection can reduce dust-related hazards.
- ▶ **Do not let familiarity gained from frequent use of tools allow you to become complacent and ignore tool safety principles.** A careless action can cause severe injury within a fraction of a second.

Power tool use and care

- ▶ **Do not force the power tool. Use the correct power tool for your application.** The correct power tool will do the job better and safer at the rate for which it was designed.
- ▶ **Do not use the power tool if the switch does not turn it on and off.** Any power tool that cannot be controlled with the switch is dangerous and must be repaired.
- ▶ **Disconnect the plug from the power source and/or remove the battery pack, if detachable, from the power tool before making any adjustments, changing accessories, or storing power tools.** Such preventive safety measures reduce the risk of starting the power tool accidentally.
- ▶ **Store idle power tools out of the reach of children and do not allow persons unfamiliar with the power tool or these instructions to operate the power tool.** Power tools are dangerous in the hands of untrained users.
- ▶ **Maintain power tools and accessories. Check for misalignment or binding of moving parts, breakage of parts and any other condition that may affect the power tool's operation. If damaged, have the power tool repaired before use.** Many accidents are caused by poorly maintained power tools.

- ▶ **Keep cutting tools sharp and clean.** Properly maintained cutting tools with sharp cutting edges are less likely to bind and are easier to control.
- ▶ **Use the power tool, accessories and tool bits etc. in accordance with these instructions, taking into account the working conditions and the work to be performed.** Use of the power tool for operations different from those intended could result in a hazardous situation.
- ▶ **Keep handles and grasping surfaces dry, clean and free from oil and grease.** Slippery handles and grasping surfaces do not allow for safe handling and control of the tool in unexpected situations.

Battery tool use and care

- ▶ **Recharge only with the charger specified by the manufacturer.** A charger that is suitable for one type of battery pack may create a risk of fire when used with another battery pack.
- ▶ **Use power tools only with specifically designated battery packs.** Use of any other battery packs may create a risk of injury and fire.
- ▶ **When battery pack is not in use, keep it away from other metal objects, like paper clips, coins, keys, nails, screws or other small metal objects, that can make a connection from one terminal to another.** Shorting the battery terminals together may cause burns or a fire.
- ▶ **Under abusive conditions, liquid may be ejected from the battery; avoid contact. If contact accidentally occurs, flush with water. If liquid contacts eyes, additionally seek medical help.** Liquid ejected from the battery may cause irritation or burns.
- ▶ **Do not use a battery pack or tool that is damaged or modified.** Damaged or modified batteries may exhibit unpredictable behaviour resulting in fire, explosion or risk of injury.
- ▶ **Do not expose a battery pack or tool to fire or excessive temperature.** Exposure to fire or temperature above 130°C may cause explosion.
- ▶ **Follow all charging instructions and do not charge the battery pack or tool outside the temperature range specified in the instructions.** Charging improperly or at temperatures outside the specified range may damage the battery and increase the risk of fire.

Service

- ▶ **Have your power tool serviced by a qualified repair person using only identical replacement parts.** This will ensure that the safety of the power tool is maintained.
- ▶ **Never service damaged battery packs.** Service of battery packs should only be performed by the manufacturer or authorized service providers.

Hammer Safety Warnings

Safety instructions for all operations

- ▶ **Wear ear protectors.** Exposure to noise can cause hearing loss.

- ▶ **Use auxiliary handle(s), if supplied with the tool.** Loss of control can cause personal injury.
- ▶ **Hold the power tool by insulated gripping surfaces, when performing an operation where the cutting accessory may contact hidden wiring.** Cutting accessory contacting a "live" wire may make exposed metal parts of the power tool "live" and could give the operator an electric shock.

Additional Safety Instructions

- ▶ **Use suitable detectors to determine if there are hidden supply lines or contact the local utility company for assistance.** Contact with electric cables can cause fire and electric shock. Damaging gas lines can lead to explosion. Breaking water pipes causes property damage.
- ▶ **Always wait until the power tool has come to a complete stop before placing it down.** The application tool can jam and cause you to lose control of the power tool.
- ▶ **Secure the workpiece.** A workpiece clamped with clamping devices or in a vice is held more secure than by hand.
- ▶ **Do not touch any application tools or adjacent housing components shortly after operation.** These can become very hot during operation and cause burns.
- ▶ **Take care when carrying out demolition work using the chisel.** Falling fragments of the demolition material could injure you or any bystanders.
- ▶ **In case of damage and improper use of the battery, vapours may be emitted. The battery can set alight or explode.** Ensure the area is well ventilated and seek medical attention should you experience any adverse effects. The vapours may irritate the respiratory system.
- ▶ **Do not open the battery.** There is a risk of short-circuiting.
- ▶ **The battery can be damaged by pointed objects such as nails or screwdrivers or by force applied externally.** An internal short circuit may occur, causing the battery to burn, smoke, explode or overheat.
- ▶ **Only use the battery in the manufacturer's products.** This is the only way in which you can protect the battery against dangerous overload.

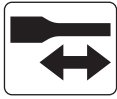


Protect the battery against heat, e.g. against continuous intense sunlight, fire, dirt, water and moisture. There is a risk of explosion and short-circuiting.

- ▶ **Hold the power tool firmly with both hands and make sure you have a stable footing.** The power tool can be more securely guided with both hands.

Symbols

The following symbols may be important for the operation of your power tool. Please take note of these symbols and their meaning. Correctly interpreting the symbols will help you to operate the power tool more effectively and safely.

Symbols and their meaning

To change the application tool, pull back the locking sleeve.



To change the chiselling position, push the chisel adjustment ring forwards and turn it.

Product Description and Specifications



Read all the safety and general instructions.

Failure to observe the safety and general instructions may result in electric shock, fire and/or serious injury.

Please observe the illustrations at the beginning of this operating manual.

Intended use

The power tool is intended for chiselling work in concrete, brick, stone and asphalt, as well as for driving in and compressing with the appropriate accessories.

Product Features

The numbering of the product features refers to the diagram of the power tool on the graphics page.

- (1) Dust protection cap
- (2) Locking sleeve
- (3) Chisel adjustment ring (Vario Lock)
- (4) Vibration damping
- (5) Lock button for on/off switch
- (6) Handle (insulated gripping surface)
- (7) On/off switch
- (8) Rechargeable battery^{a)}
- (9) Auxiliary handle (insulated gripping surface)
- (10) Worklight
- (11) Rechargeable battery release button^{a)}
- (12) User interface
- (13) Power tool status indicator (user interface)
- (14) Temperature indicator (user interface)
- (15) Indicator for 100 % working mode (user interface)
- (16) Button to select the working mode (user interface)
- (17) Indicator for 70 % working mode (user interface)
- (18) Rechargeable battery charge indicator (user interface)

(19) Knurled nut for auxiliary handle

a) **This accessory is not part of the standard scope of delivery.**

Technical Data

Cordless demolition hammer		GSH 18V-5
Article number		3 611 J18 2..
Rated voltage	V=	18
Impact rate ^{A)}	min ⁻¹	3050
Tool holder		SDS max
Weight ^{B)}	kg	5.6–6.6
Recommended ambient temperature during charging	°C	0...+35
Permitted ambient temperature during operation ^{C)} and during storage	°C	–20...+50
Compatible rechargeable batteries		GBA 18V... ProCORE18V...
Recommended rechargeable batteries for maximum performance		ProCORE18V... ≥5.5 Ah
Recommended battery chargers		GAL 18... GAX 18... GAL 36...

A) Measured at 20–25 °C with rechargeable battery **ProCORE18V 12.0Ah**

B) Depends on battery in use

C) Limited performance at temperatures < 0 °C

Values can vary depending on the product, scope of application and environmental conditions. To find out more, visit www.bosch-professional.com/wac.

Noise/Vibration Information

Noise emission values determined according to

EN IEC 62841-2-6.

Typically, the A-weighted noise level of the power tool is: Sound pressure level **89 dB(A)**; sound power level **97 dB(A)**. Uncertainty **K=3 dB**.

Wear hearing protection

Vibration total values a_{hv} (triax vector sum) and uncertainty **K** determined according to **EN IEC 62841-2-6:**

Chiselling: $a_{hv} = 13.8 \text{ m/s}^2$, **K = 1.5 m/s²**

The vibration level and noise emission value given in these instructions have been measured in accordance with a standardised measuring procedure and may be used to compare power tools. They may also be used for a preliminary estimation of vibration and noise emissions.

The stated vibration level and noise emission value represent the main applications of the power tool. However, if the power tool is used for other applications, with different accessories or is poorly maintained, the vibration level and noise emission value may differ. This may significantly in-

crease the vibration and noise emissions over the total working period.

To estimate vibration and noise emissions accurately, the times when the tool is switched off or when it is running but not actually being used should also be taken into account. This may significantly reduce vibration and noise emissions over the total working period.

Implement additional safety measures to protect the operator from the effects of vibration, such as servicing the power tool and accessories, keeping their hands warm, and organising workflows correctly.

Rechargeable battery

Bosch sells some cordless power tools without a rechargeable battery. You can tell whether a rechargeable battery is included with the power tool by looking at the packaging.

Charging the battery

- **Use only the chargers listed in the technical data.** Only these chargers are matched to the lithium-ion battery of your power tool.

Note: Lithium-ion rechargeable batteries are supplied partially charged according to international transport regulations. To ensure full rechargeable battery capacity, fully charge the rechargeable battery before using your tool for the first time.

Inserting the Battery

Push the charged battery into the battery holder until it clicks into place.

Removing the Battery

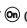

To remove the rechargeable battery, press the battery release button and pull the battery out. **Do not use force to do this.**

The rechargeable battery has two locking levels to prevent the battery from falling out if the battery release button is pressed unintentionally. The rechargeable battery is held in place by a spring when fitted in the power tool.

Battery charge indicator

Note: Not all battery types have a battery charge indicator.

The green LEDs on the battery charge indicator indicate the state of charge of the battery. For safety reasons, it is only possible to check the state of charge when the power tool is not in operation.

Press the button for the battery charge indicator  or  to show the state of charge. This is also possible when the battery is removed.

If no LED lights up after pressing the button for the battery charge indicator, then the battery is defective and must be replaced.

The state of charge of the battery is also displayed on the user interface (see "User Interface", page 10).

Battery model GBA 18V...



LED	Capacity
3 × continuous green light	60–100 %
2 × continuous green light	30–60 %
1 × continuous green light	5–30 %
1 × flashing green light	0–5 %

Battery model ProCORE18V...



LED	Capacity
5 × continuous green light	80–100 %
4 × continuous green light	60–80 %
3 × continuous green light	40–60 %
2 × continuous green light	20–40 %
1 × continuous green light	5–20 %
1 × flashing green light	0–5 %

Recommendations for Optimal Handling of the Battery

Protect the battery against moisture and water.

Only store the battery within a temperature range of –20 to 50 °C. Do not leave the battery in your car in the summer, for example.

Occasionally clean the ventilation slots on the battery using a soft brush that is clean and dry.

A significantly reduced operating time after charging indicates that the battery has deteriorated and must be replaced. Follow the instructions on correct disposal.

Assembly

- **Before carrying out any work on the power tool (e.g. maintenance, tool change etc.), remove the battery from the power tool.** There is risk of injury from unintentionally pressing the on/off switch.

Auxiliary handle (see figure A)

- **Do not operate your power tool without the auxiliary handle (9).**

You can swivel and/or move the auxiliary handle (9) to any angle for a safe work posture that minimises fatigue.

- Loosen the knurled nut (19), rotate and/or move the auxiliary handle (9) around the axis of the tool to the required position and retighten the knurled nut (19).

Changing the Tool

With the SDS max tool holder, you can change the application tool simply and easily without additional aids.

The dust protection cap **(1)** largely prevents the penetration of dust into the tool holder during operation. When inserting the tool, make sure that the dust protection cap **(1)** does not become damaged.

► **Replace a damaged dust protection cap immediately. It is recommended that you have use an after-sales service for this.**

Inserting the application tool (see figure B)

- Clean and lightly grease the shank of the application tool.
- Push the locking sleeve **(2)** back and insert the application tool by turning it into the tool holder. Release the locking sleeve **(2)** to lock the application tool.
- Check the latching by pulling the tool.

Removing the application tool (see figure C)

- Push the locking sleeve **(2)** back and remove the application tool.

Operation

► **Before carrying out any work on the power tool (e.g. maintenance, tool change etc.), remove the battery from the power tool.** There is risk of injury from unintentionally pressing the on/off switch.

Starting Operation

Switching On and Off

- To **start** the power tool, press and hold the on/off switch **(7)**.
- Press the lock button **(5)** to **lock** the on/off switch **(7)** in this position.
- To **switch off** the power tool, release the on/off switch **(7)**; or, if the switch is locked with the lock button **(5)**, briefly press the on/off switch **(7)** and then release it.

User Interface

The user interface **(12)** is used to select the working mode and to indicate the status of the power tool.

Status indications

Power tool status indicator (13)	Meaning	Solution
–	Power tool switched off	–
Green	Power tool switched on and ready to use	–
Yellow	Critical temperature has been reached or rechargeable battery is almost empty	Run the power tool at no load and allow it to cool down, or replace or charge the battery soon
Red	Power tool has overheated or rechargeable battery is empty	Allow the power tool to cool down, or replace or charge the battery
	Battery is too weak	Charge the battery or use the recommended battery type
	General error	– Switch the power tool off and on again, or remove the battery and reinsert it

At low temperatures, the power tool will take a certain amount of time to reach its full impact performance.

Lock-off function

► The power tool is equipped with a lock-off function to prevent an unintended start-up.

Activating the lock-off function:

- Press the lock button **(5)** whilst the power tool is switched off.
This locks the on/off switch **(7)** so that the power tool is secured against being switched on unintentionally.

Deactivating the lock-off function:

- Press the locked lock button **(5)**.
This unlocks the on/off switch **(7)** so that the power tool can be started up.

Worklight

The worklight **(10)** lights up when the on/off switch **(7)** is lightly or fully pressed, allowing the work area to be illuminated in poor lighting conditions.

Setting the impact rate

You can adjust the impact rate of the power tool when it is on by pressing in the on/off switch **(7)** to varying extents.

Slight pressure on the on/off switch **(7)** results in a low impact rate. Increased pressure on the switch causes an increase in impact rate.

Changing the chiselling position (Vario-Lock) (see figure D)

You can lock the chisel in **12** different positions, allowing you to select the optimum working position for each task.

- Insert the chisel into the tool holder.
- Push the chisel adjustment ring **(3)** forwards and turn the chisel to the required position with the chisel adjustment ring **(3)**.
- Release the chisel adjustment ring **(3)** and turn the chisel until it audibly clicks into place.

Power tool status indicator (13)	Meaning	Solution
		If the error persists: – Send the power tool to the after-sales service
Battery charge indicator (user interface) (18)	Meaning/cause	Solution
Green (2 to 5 bars)	Battery charged	–
Yellow (1 bar)	Battery almost empty	Replace or charge battery soon
Red (1 bar)	Battery empty	Replace or charge battery
Temperature indicator (14)	Meaning/cause	Solution
Yellow	Operating temperature of the battery or the power tool has significantly increased, performance is reduced	Leave the power tool to cool down or replace overheated battery
Red	Operating temperature of the battery or the power tool has been exceeded, power tool switches itself off as a precautionary measure	Leave the power tool to cool down or replace overheated battery

Selecting the working mode

Press the **(16)** button for selecting the working mode repeatedly until the working mode you require lights up.

	Functions
Indicator for 100 % working mode (15)	100 % working mode (Adaptive Speed Control soft start): Controlled start up to maximum power; shorter battery runtime
Indicator for 70 % working mode (17)	70 % Working mode (Adaptive Speed Control soft start): Controlled start up to reduced power for working on delicate materials; longer battery runtime

Working Advice

Sharpening Chisels

Only sharp chiselling tools will produce good results, therefore sharpen your chiselling tools in good time before use. This will ensure a long service life for the tools and good work results.

Re-sharpening

Grind chiselling tools against sanding discs, e.g. aluminium oxide, under a steady stream of water. Make sure that the cutting edges show no annealing colours; this will impair the hardness of the chiselling tools.

To **forge** a chisel, heat it to 850–1050 °C (pale red to yellow).

To **harden** a chisel, heat it to approx. 900 °C and quench in oil. Then, leave it in an oven for approx. one hour at 320 °C (annealing colour: pale blue).

Adaptive Speed Control



For better control and precise positioning, the power tool starts at a low speed and then increases to the set speed.

Adaptive Speed Control is started automatically when the chisel is engaged with the work area during the chiseling application.

When the tool is removed from the chiseling application, the speed is reduced after a time delay.

Vibration damping



The integrated vibration damping function reduces the generated vibration.

- ▶ **Do not continue to use the power tool if the damping element is damaged.**

Maintenance and Service

Maintenance and Cleaning

- ▶ **Before carrying out any work on the power tool (e.g. maintenance, tool change etc.), remove the battery from the power tool.** There is risk of injury from unintentionally pressing the on/off switch.
- ▶ **To ensure safe and efficient operation, always keep the power tool and the ventilation slots clean.**
- ▶ **Replace a damaged dust protection cap immediately. It is recommended that you have use an after-sales service for this.**

Lubrification

The power tool is lubricated with grease and is ready for immediate use.

The lubricating grease should only be changed during maintenance or commissioning carried out by an after-sales service centre authorised to work with Bosch power tools. It is crucial that only lubricating grease provided by Bosch is used.

After-Sales Service and Application Service

Our after-sales service responds to your questions concerning maintenance and repair of your product as well as spare parts. You can find explosion drawings and information on spare parts at: www.bosch-pt.com

The Bosch product use advice team will be happy to help you with any questions about our products and their accessories.

In all correspondence and spare parts orders, please always include the 10-digit article number given on the nameplate of the product.

Malaysia

Robert Bosch Sdn. Bhd. (220975-V) PT/SMY
No. 8A, Jalan 13/6
46200 Petaling Jaya
Selangor
Tel.: (03) 79663194
Toll-Free: 1800 880188
Fax: (03) 79583838
E-Mail: kiathoe.chong@my.bosch.com
www.bosch-pt.com.my

You can find further service addresses at:

www.bosch-pt.com/serviceaddresses

Transport

The recommended lithium-ion batteries are subject to legislation on the transport of dangerous goods. The user can transport the batteries by road without further requirements.

When the batteries are shipped by third parties (e.g. air transport or forwarding agency), special requirements on packaging and labelling (e.g. ADR regulations) must be met. A dangerous goods expert must be consulted when preparing the items for shipping.

Dispatch battery packs only when the housing is undamaged. Tape or mask off open contacts and pack up the battery in such a manner that it cannot move around in the packaging. Please also observe the possibility of more detailed national regulations.

Disposal



Power tools, rechargeable batteries, accessories and packaging should be sorted for environmental-friendly recycling.



Do not dispose of power tools and batteries/rechargeable batteries into household waste!

Battery packs/batteries:

Li-ion:

Please observe the notes in the section on transport (see "Transport", page 12).

Français

Consignes de sécurité

Avertissements de sécurité généraux pour l'outil électrique

AVERTISSEMENT Lire tous les avertissements de sécurité, les instructions, les illustrations et les spécifications fournis

avec cet outil électrique. Ne pas suivre les instructions énumérées ci-dessous peut provoquer un choc électrique, un incendie et/ou une blessure sérieuse.

Conservé tous les avertissements et toutes les instructions pour pouvoir s'y reporter ultérieurement.

Le terme "outil électrique" dans les avertissements fait référence à votre outil électrique alimenté par le secteur (avec cordon d'alimentation) ou votre outil électrique fonctionnant sur batterie (sans cordon d'alimentation).

Sécurité de la zone de travail

- ▶ **Conservé la zone de travail propre et bien éclairée.**
Les zones en désordre ou sombres sont propices aux accidents.
- ▶ **Ne pas faire fonctionner les outils électriques en atmosphère explosive, par exemple en présence de liquides inflammables, de gaz ou de poussières.** Les outils électriques produisent des étincelles qui peuvent enflammer les poussières ou les fumées.
- ▶ **Maintenir les enfants et les personnes présentes à l'écart pendant l'utilisation de l'outil électrique.** Les distractions peuvent vous faire perdre le contrôle de l'outil.

Sécurité électrique

- ▶ **Il faut que les fiches de l'outil électrique soient adaptées au socle. Ne jamais modifier la fiche de quelque façon que ce soit. Ne pas utiliser d'adaptateurs avec des outils électriques à branchement de terre.** Des fiches non modifiées et des socles adaptés réduisent le risque de choc électrique.
- ▶ **Éviter tout contact du corps avec des surfaces reliées à la terre telles que les tuyaux, les radiateurs, les cuisinières et les réfrigérateurs.** Il existe un risque accru de choc électrique si votre corps est relié à la terre.

- ▶ **Ne pas exposer les outils électriques à la pluie ou à des conditions humides.** La pénétration d'eau à l'intérieur d'un outil électrique augmente le risque de choc électrique.
- ▶ **Ne pas maltraiter le cordon. Ne jamais utiliser le cordon pour porter, tirer ou débrancher l'outil électrique. Maintenir le cordon à l'écart de la chaleur, du lubrifiant, des arêtes vives ou des parties en mouvement.** Des cordons endommagés ou emmêlés augmentent le risque de choc électrique.
- ▶ **Lorsqu'on utilise un outil électrique à l'extérieur, utiliser un prolongateur adapté à l'utilisation extérieure.** L'utilisation d'un cordon adapté à l'utilisation extérieure réduit le risque de choc électrique.
- ▶ **Si l'usage d'un outil électrique dans un emplacement humide est inévitable, utiliser une alimentation protégée par un dispositif à courant différentiel résiduel (RCD).** L'usage d'un RCD réduit le risque de choc électrique.

Sécurité des personnes

- ▶ **Rester vigilant, regarder ce que vous êtes en train de faire et faire preuve de bon sens dans votre utilisation de l'outil électrique. Ne pas utiliser un outil électrique lorsque vous êtes fatigué ou sous l'emprise de drogues, de l'alcool ou de médicaments.** Un moment d'inattention en cours d'utilisation d'un outil électrique peut entraîner des blessures graves.
- ▶ **Utiliser un équipement de protection individuelle. Toujours porter une protection pour les yeux.** Les équipements de protection individuelle tels que les masques contre les poussières, les chaussures de sécurité antidérapantes, les casques ou les protections auditives utilisés pour les conditions appropriées réduisent les blessures.
- ▶ **Éviter tout démarrage intempestif. S'assurer que l'interrupteur est en position arrêt avant de brancher l'outil au secteur et/ou au bloc de batteries, de le ramasser ou de le porter.** Porter les outils électriques en ayant le doigt sur l'interrupteur ou brancher des outils électriques dont l'interrupteur est en position marche est source d'accidents.
- ▶ **Retirer toute clé de réglage avant de mettre l'outil électrique en marche.** Une clé laissée fixée sur une partie tournante de l'outil électrique peut donner lieu à des blessures.
- ▶ **Ne pas se précipiter. Garder une position et un équilibre adaptés à tout moment.** Cela permet un meilleur contrôle de l'outil électrique dans des situations inattendues.
- ▶ **S'habiller de manière adaptée. Ne pas porter de vêtements amples ou de bijoux. Garder les cheveux et les vêtements à distance des parties en mouvement.** Des vêtements amples, des bijoux ou les cheveux longs peuvent être pris dans des parties en mouvement.
- ▶ **Si des dispositifs sont fournis pour le raccordement d'équipements pour l'extraction et la récupération des**

poussières, s'assurer qu'ils sont connectés et correctement utilisés. Utiliser des collecteurs de poussière peut réduire les risques dus aux poussières.

- ▶ **Rester vigilant et ne pas négliger les principes de sécurité de l'outil sous prétexte que vous avez l'habitude de l'utiliser.** Une fraction de seconde d'inattention peut provoquer une blessure grave.

Utilisation et entretien de l'outil électrique

- ▶ **Ne pas forcer l'outil électrique. Utiliser l'outil électrique adapté à votre application.** L'outil électrique adapté réalise mieux le travail et de manière plus sûre au régime pour lequel il a été construit.
- ▶ **Ne pas utiliser l'outil électrique si l'interrupteur ne permet pas de passer de l'état de marche à arrêt et inversement.** Tout outil électrique qui ne peut pas être commandé par l'interrupteur est dangereux et il faut le réparer.
- ▶ **Débrancher la fiche de la source d'alimentation et/ou enlever le bloc de batteries, s'il est amovible, avant tout réglage, changement d'accessoires ou avant de ranger l'outil électrique.** De telles mesures de sécurité préventives réduisent le risque de démarrage accidentel de l'outil électrique.
- ▶ **Conserver les outils électriques à l'arrêt hors de la portée des enfants et ne pas permettre à des personnes ne connaissant pas l'outil électrique ou les présentes instructions de le faire fonctionner.** Les outils électriques sont dangereux entre les mains d'utilisateurs novices.
- ▶ **Observer la maintenance des outils électriques et des accessoires. Vérifier qu'il n'y a pas de mauvais alignement ou de blocage des parties mobiles, des pièces cassées ou toute autre condition pouvant affecter le fonctionnement de l'outil électrique. En cas de dommages, faire réparer l'outil électrique avant de l'utiliser.** De nombreux accidents sont dus à des outils électriques mal entretenus.
- ▶ **Garder affûtés et propres les outils permettant de couper.** Des outils destinés à couper correctement entretenus avec des pièces coupantes tranchantes sont moins susceptibles de bloquer et sont plus faciles à contrôler.
- ▶ **Utiliser l'outil électrique, les accessoires et les lames etc., conformément à ces instructions, en tenant compte des conditions de travail et du travail à réaliser.** L'utilisation de l'outil électrique pour des opérations différentes de celles prévues peut donner lieu à des situations dangereuses.
- ▶ **Il faut que les poignées et les surfaces de préhension restent sèches, propres et dépourvues d'huiles et de graisses.** Des poignées et des surfaces de préhension glissantes rendent impossibles la manipulation et le contrôle en toute sécurité de l'outil dans les situations inattendues.

Utilisation des outils fonctionnant sur batteries et précautions d'emploi

- ▶ **Ne recharger qu'avec le chargeur spécifié par le fabricant.** Un chargeur qui est adapté à un type de bloc de batteries peut créer un risque de feu lorsqu'il est utilisé avec un autre type de bloc de batteries.
- ▶ **N'utiliser les outils électriques qu'avec des blocs de batteries spécifiquement désignés.** L'utilisation de tout autre bloc de batteries peut créer un risque de blessure et de feu.
- ▶ **Lorsqu'un bloc de batteries n'est pas utilisé, le maintenir à l'écart de tout autre objet métallique, par exemple trombones, pièces de monnaie, clés, clous, vis ou autres objets de petite taille qui peuvent donner lieu à une connexion d'une borne à une autre.** Le court-circuitage des bornes d'une batterie entre elles peut causer des brûlures ou un feu.
- ▶ **Dans de mauvaises conditions, du liquide peut être éjecté de la batterie; éviter tout contact. En cas de contact accidentel, nettoyer à l'eau. Si le liquide entre en contact avec les yeux, rechercher en plus une aide médicale.** Le liquide éjecté des batteries peut causer des irritations ou des brûlures.
- ▶ **Ne pas utiliser un bloc de batteries ou un outil fonctionnant sur batteries qui a été endommagé ou modifié.** Les batteries endommagées ou modifiées peuvent avoir un comportement imprévisible provoquant un feu, une explosion ou un risque de blessure.
- ▶ **Ne pas exposer un bloc de batteries ou un outil fonctionnant sur batteries au feu ou à une température excessive.** Une exposition au feu ou à une température supérieure à 130 °C peut provoquer une explosion.
- ▶ **Suivre toutes les instructions de charge et ne pas charger le bloc de batteries ou l'outil fonctionnant sur batteries hors de la plage de températures spécifiée dans les instructions.** Un chargement incorrect ou à des températures hors de la plage spécifiée de températures peut endommager la batterie et augmenter le risque de feu.

Maintenance et entretien

- ▶ **Faire entretenir l'outil électrique par un réparateur qualifié utilisant uniquement des pièces de rechange identiques.** Cela assure le maintien de la sécurité de l'outil électrique.
- ▶ **Ne jamais effectuer d'opération d'entretien sur des blocs de batteries endommagés.** Il convient que l'entretien des blocs de batteries ne soit effectué que par le fabricant ou les fournisseurs de service autorisés.

Avertissements de sécurité pour les marteaux

Instructions de sécurité pour toutes les opérations

- ▶ **Porter des protecteurs d'oreilles.** L'exposition au bruit peut provoquer une perte de l'audition.
- ▶ **Utiliser la ou les poignées auxiliaires, si l'outil en est équipé.** Toute perte de contrôle peut entraîner des dommages corporels.

- ▶ **Tenir l'outil électrique par des surfaces de préhension isolées au cours d'une opération où l'accessoire de coupe peut être en contact avec des fils dissimulés.**

Des accessoires de coupe en contact avec un fil "sous tension" peuvent mettre des parties métalliques exposées de l'outil électrique "sous tension" et provoquer un choc électrique chez l'opérateur.

Consignes de sécurité additionnelles

- ▶ **Utilisez un détecteur approprié pour vérifier s'il n'y a pas de conduites cachées ou contactez votre société de distribution d'eau locale.** Tout contact avec des câbles électriques peut provoquer un incendie ou un choc électrique. Tout endommagement d'une conduite de gaz peut provoquer une explosion. La perforation d'une conduite d'eau provoque des dégâts matériels.
- ▶ **Avant de poser l'outil électroportatif, attendez que celui-ci soit complètement à l'arrêt.** L'outil risque de se coincer, ce qui entraînerait une perte de contrôle de l'outil électroportatif.
- ▶ **Bloquez la pièce à travailler.** Une pièce à travailler serrée par des dispositifs de serrage appropriés ou dans un état est fixée de manière plus sûre que quand elle est tenue avec une main.
- ▶ **Ne touchez pas les accessoires ou pièces adjacentes du carter juste après l'utilisation de l'outil électroportatif.** Ils peuvent devenir très chauds et causer des brûlures.
- ▶ **Soyez prudent lors de travaux de démolition avec un burin.** Les fragments de matériau qui se détachent risquent de vous blesser et de blesser les personnes qui se trouvent à proximité.
- ▶ **Si l'accu est endommagé ou utilisé de manière non conforme, des vapeurs peuvent s'échapper. L'accu peut brûler ou exploser.** Ventilez le local et consultez un médecin en cas de malaise. Les vapeurs peuvent entraîner des irritations des voies respiratoires.
- ▶ **N'ouvrez pas l'accu.** Risque de court-circuit.
- ▶ **Les objets pointus comme un clou ou un tournevis et le fait d'exercer une force extérieure sur le boîtier risquent d'endommager l'accu.** Il peut en résulter un court-circuit interne et l'accu risque de s'enflammer, de dégager des fumées, d'exploser ou de surchauffer.
- ▶ **N'utilisez l'accu que sur les produits du fabricant.** Tout risque de surcharge dangereuse sera alors exclu.



Conservez la batterie à l'abri de la chaleur, en la protégeant p. ex. de l'ensoleillement direct, du feu, de la saleté, de l'eau et de l'humidité. Il existe un risque d'explosion et de courts-circuits.

- ▶ **Lors du travail, tenez fermement l'outil électroportatif des deux mains et veillez à toujours garder une position de travail stable.** Avec les deux mains, l'outil électroportatif est guidé en toute sécurité.

Symboles

Les symboles suivants peuvent être importants pour l'utilisation de votre outil électroportatif. Veuillez mémoriser les symboles et leur signification. L'interprétation correcte des symboles vous permettra de mieux utiliser votre outil électroportatif et en toute sécurité.

Symboles et leur signification



Pour changer d'accessoire, tirez la bague de verrouillage vers l'arrière.



Pour modifier la position du burin, poussez vers l'avant et tournez la bague de réglage de burin.

Description des prestations et du produit



Lisez attentivement toutes les instructions et consignes de sécurité. Le non-respect des instructions et consignes de sécurité peut provoquer un choc électrique, un incendie et/ou entraîner de graves blessures.

Référez-vous aux illustrations qui se trouvent à l'avant de la notice d'utilisation.

Utilisation conforme

L'outil électroportatif est conçu pour des travaux de burinage dans le béton, la brique, la pierre et l'asphalte ainsi que, lorsqu'il est muni des accessoires adéquats, pour des travaux d'enfoncement et de compactage.

Éléments constitutifs

La numérotation des éléments se réfère à la représentation de l'outil électroportatif sur la page graphique.

- (1) Pare-poussière
- (2) Bague de verrouillage
- (3) Bague de réglage du burin (Vario-Lock)
- (4) Réduction des vibrations
- (5) Bouton de blocage de l'interrupteur Marche/Arrêt
- (6) Poignée (surface de prise en main isolée)
- (7) Interrupteur Marche/Arrêt
- (8) Batterie^{a)}
- (9) Poignée auxiliaire (surface de prise en main isolée)
- (10) LED d'éclairage
- (11) Bouton de déverrouillage de la batterie^{a)}

- (12) interface utilisateur
 - (13) Indicateur de l'état de l'outil électroportatif (interface utilisateur)
 - (14) Indicateur de température (interface utilisateur)
 - (15) Indicateur mode de travail 100 % (interface utilisateur)
 - (16) Touche de sélection de mode de travail (interface utilisateur)
 - (17) Indicateur mode de travail 70 % (interface utilisateur)
 - (18) Indicateur d'état de charge de la batterie (interface utilisateur)
 - (19) Écrou moleté de la poignée auxiliaire
- a) **Cet accessoire n'est pas fourni.**

Caractéristiques techniques

Perforateur sans-fil		GSH 18V-5
Référence		3 611 J18 2..
Tension nominale	V=	18
Fréquence de frappe ^{A)}	min ⁻¹	3 050
Porte-outil		SDS max
Poids ^{B)}	kg	5,6–6,6
Températures ambiantes recommandées pour la charge	°C	0 ... +35
Températures ambiantes admissibles pendant l'utilisation ^{C)} et pour le stockage	°C	-20 ... +50
Batteries compatibles		GBA 18V... ProCORE18V...
Batteries recommandées pour une pleine puissance		ProCORE18V... ≥ 5,5 Ah
Chargeurs recommandés		GAL 18... GAX 18... GAL 36...

A) Mesuré à 20–25 °C avec accu **ProCORE18V 12.0Ah**.

B) Dépend de l'accu utilisé

C) Performances réduites à des températures < 0 °C

Les valeurs peuvent varier selon le produit, les conditions d'utilisation et les conditions ambiantes. Pour plus d'informations, rendez-vous sur www.bosch-professional.com/wac.

Informations sur le niveau sonore/les vibrations

Valeurs d'émissions sonores déterminées selon

EN IEC 62841-2-6.

Le niveau sonore en dB(A) typique de l'outil électroportatif est de : niveau de pression acoustique **89 dB(A)** ; niveau de puissance acoustique **97 dB(A)**. Incertitude K = **3 dB**.

Portez un casque antibruit !

Valeurs globales de vibration a_h (somme vectorielle sur les trois axes) et incertitude K conformément à

EN IEC 62841-2-6 :

Burinage : $a_h = 13,8 \text{ m/s}^2$, K = **1,5 m/s}^2**

Le niveau de vibration et la valeur d'émission sonore indiqués dans cette notice d'utilisation ont été mesurés selon une procédure de mesure normalisée et peuvent être utilisés pour établir une comparaison entre différents outils électroportatifs. Ils peuvent aussi servir de base à une estimation préliminaire du taux de vibration et du niveau sonore.

Le niveau de vibration et la valeur d'émission sonore indiqués s'appliquent pour les utilisations principales de l'outil électroportatif. Si l'outil électroportatif est utilisé pour d'autres applications, avec d'autres accessoires de travail ou sans avoir fait l'objet d'un entretien régulier, le niveau de vibration et la valeur d'émission sonore peuvent différer. Il peut en résulter des vibrations et un niveau sonore nettement plus élevés pendant toute la durée de travail.

Pour une estimation précise du niveau de vibration et du niveau sonore, il faut aussi prendre en considération les périodes pendant lesquelles l'outil est éteint ou bien en marche sans être vraiment en action. Il peut en résulter au final un niveau de vibration et un niveau sonore nettement plus faibles pendant toute la durée de travail.

Prévoyez des mesures de protection supplémentaires permettant de protéger l'utilisateur de l'effet des vibrations, par exemple : maintenance de l'outil électroportatif et des accessoires de travail, maintien des mains au chaud, organisation des procédures de travail.

Accu

Bosch vend ses outils électroportatifs sans-fil aussi sans accu. Il est indiqué sur l'emballage si un accu est fourni ou non avec l'outil électroportatif.

Recharge de l'accu

► **N'utilisez que les chargeurs indiqués dans les Caractéristiques techniques.** Seuls ces chargeurs sont adaptés à l'accu Lithium-Ion de votre outil électroportatif.

Remarque : Les dispositions internationales en vigueur pour le transport de marchandises obligent à livrer les accus Lithium-Ion partiellement chargés. Pour que les accus soient pleinement performants, chargez-les complètement avant leur première utilisation.

Mise en place de l'accu

Insérez l'accu dans le compartiment à accu jusqu'à ce qu'il s'enclenche.

Retrait de l'accu

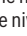

Pour retirer l'accu, appuyez sur le bouton de déverrouillage de l'accu et sortez l'accu de l'outil électroportatif. **Ne forcez pas.**

L'accu dispose d'un double verrouillage permettant d'éviter qu'il tombe si vous appuyez par mégarde sur le bouton de déverrouillage d'accu. Tant que l'accu est en place dans l'outil électroportatif, un ressort le maintient en position.

Indicateur de niveau de charge de l'accu

Remarque : Tous les types d'accu ne possèdent pas d'indicateur d'état de charge.

Les LED vertes de l'indicateur d'état de charge indiquent le niveau de charge de la batterie. Pour des raisons de sécurité, il n'est possible d'afficher l'état de charge que quand l'outil électroportatif est à l'arrêt.

Pour afficher le niveau de charge, appuyez sur le bouton de l'indicateur de niveau de charge  ou . L'affichage du niveau de charge est également possible après retrait de l'accu.

Si aucune LED ne s'allume après avoir appuyé sur le bouton de l'indicateur de niveau de charge, la batterie est défectueuse et doit être remplacée.

Le niveau de charge de l'accu est également affiché sur l'écran de contrôle (voir « Écran de contrôle », Page 18).

Batterie de type GBA 18V...



LED	Capacité
Allumage permanent en vert de 3 LED	60–100 %
Allumage permanent en vert de 2 LED	30–60 %
Allumage permanent en vert de 1 LED	5–30 %
Clignotement en vert de 1 LED	0–5 %

Batterie de type ProCORE18V...



LED	Capacité
Allumage permanent en vert de 5 LED	80–100 %
Allumage permanent en vert de 4 LED	60–80 %
Allumage permanent en vert de 3 LED	40–60 %
Allumage permanent en vert de 2 LED	20–40 %
Allumage permanent en vert de 1 LED	5–20 %
Clignotement en vert de 1 LED	0–5 %

Indications pour une utilisation optimale de la batterie

Protégez l'accu de l'humidité et de l'eau.

Ne stockez l'accu que dans la plage de températures de –20 à 50 °C. Ne laissez par ex. pas l'accu dans une voiture en plein été.

Nettoyez de temps en temps les orifices de ventilation de l'accu à l'aide d'un pinceau doux, propre et sec.

Une baisse notable de l'autonomie de l'accu au fil des recharges effectuées indique que l'accu est arrivé en fin de vie et qu'il doit être remplacé.

Respectez les indications concernant l'élimination.

Montage

- **Retirez systématiquement la batterie avant toute intervention sur l'outil électroportatif (maintenance, changement d'accessoire, etc.).** Il y a sinon risque de blessure si vous appuyez par mégarde sur l'interrupteur Marche/Arrêt.

Poignée supplémentaire (voir figure A)

- **N'utilisez l'outil électroportatif qu'avec la poignée supplémentaire (9).**

La poignée auxiliaire (9) peut être orientée et/ou déplacée librement jusqu'à obtenir une position permettant de travailler en toute sécurité et sans fatigue.

- Desserrez l'écrou moleté (19), orientez et/ou déplacez la poignée auxiliaire (9) jusque dans la position souhaitée et resserrez l'écrou moleté (19).

Changement d'accessoire

Le porte-outil SDS max permet de changer d'accessoire facilement et confortablement sans avoir à utiliser de clé.

Le pare-poussière (1) empêche dans une large mesure la pénétration de poussière dans le porte-outil pendant l'utilisation de l'outil électroportatif. Lors du montage de l'accessoire de travail, veillez à ne pas endommager le pare-poussière (1).

- **Remplacez immédiatement le capuchon anti-poussière s'il est endommagé. Il est recommandé de faire effectuer ce travail dans un centre de service après-vente.**

Montage d'un accessoire de travail (voir figure B)

- Nettoyez l'extrémité de l'accessoire, et graissez-la légèrement.
- Poussez la douille de verrouillage (2) vers l'arrière et introduisez l'accessoire de travail dans le porte-outil en le tournant. Relâchez la douille de verrouillage (2) afin de bloquer l'accessoire de travail.
- Vérifiez que l'accessoire est bien bloqué en tirant dessus.

Retrait de l'accessoire de travail (voir figure C)

- Poussez la douille de verrouillage (2) vers l'arrière et sortez l'accessoire de travail.

Utilisation

- **Retirez systématiquement la batterie avant toute intervention sur l'outil électroportatif (maintenance, changement d'accessoire, etc.).** Il y a sinon risque de blessure si vous appuyez par mégarde sur l'interrupteur Marche/Arrêt.

Mise en marche

Mise en marche/arrêt

- Pour **mettre en marche** l'outil électroportatif, appuyez sur l'interrupteur Marche/Arrêt (7) et maintenez-le enfoncé.
- Pour **bloquer** l'interrupteur Marche/Arrêt (7) en position enfoncée, actionnez le bouton de blocage (5).
- Pour **arrêter** l'outil électroportatif, relâchez l'interrupteur Marche/Arrêt (7). S'il est bloqué avec le bouton de blocage (5), appuyez brièvement sur l'interrupteur Marche/Arrêt (7) puis relâchez-le.

À basses températures, l'outil électroportatif n'atteint la puissance de frappe maximale qu'au bout d'un certain temps.

Blocage d'enclenchement

- L'outil électroportatif est doté d'un blocage d'enclenchement permettant d'exclure toute mise en marche accidentelle.

Activation du blocage d'enclenchement :

- Actionnez la touche de blocage (5) quand l'outil électroportatif est éteint.
L'interrupteur Marche/Arrêt (7) est alors bloqué, l'outil ne peut pas être mis en marche par inadvertance.

Désactivation du blocage d'enclenchement :

- Actionnez la touche de blocage (5).
L'interrupteur Marche/Arrêt (7) est alors à nouveau débloquent, l'outil peut être mis en marche.

LED d'éclairage

La LED d'éclairage (10) s'allume dès que l'interrupteur Marche/Arrêt (7) est enfoncé légèrement ou complètement. Elle permet d'éclairer la zone de travail dans les endroits sombres.

Réglage de la fréquence de frappe

Il est possible de faire varier en continu la fréquence de frappe de l'outil électroportatif en exerçant plus ou moins de pression sur l'interrupteur Marche/Arrêt (7).

Une légère pression sur l'interrupteur Marche/Arrêt (7) produit une petite fréquence de frappe. Plus l'on exerce de pression, plus la fréquence de frappe augmente.

Changement de la position du burin (Vario-Lock) (voir figure D)

Il est possible de bloquer le burin dans 12 positions. Ceci permet de toujours travailler dans une position de travail optimale.

- Insérez le burin dans le porte-outil.
- Poussez la bague de réglage du burin (3) vers l'avant et orientez le burin dans la position souhaitée à l'aide de la bague de réglage (3).
- Relâchez la bague de réglage (3) et faites tourner le burin jusqu'à ce qu'il s'enclenche.

Écran de contrôle

L'écran de contrôle (12) sert à la sélection du mode de travail et à l'affichage d'état de l'outil électroportatif.

Affichages d'état

Indicateur de l'état de l'outil électroportatif (13)	Signification	Remède
-	Outil électroportatif éteint	-
Vert	Outil électroportatif allumé et prêt à l'emploi	-
Jaune	Température critique atteinte ou batterie presque vide	Faire fonctionner l'outil électroportatif à vide et attendre qu'il refroidisse ou bien changer/recharger la batterie
Rouge	Outil électroportatif en surchauffe ou batterie vide	Laisser refroidir l'outil électroportatif ou bien changer/recharger la batterie
	Batterie pas assez chargée	Recharger la batterie ou monter le type de batterie recommandé
	Défaut général	- Arrêter et remettre en marche l'outil électroportatif ou bien retirer et réinsérer la batterie Si le défaut persiste : - Envoyer l'outil au service après-vente

Indicateur d'état de charge de l'accu (écran de contrôle) (18)	Signification/cause	Remède
vert (2 à 5 barres)	Accu chargé	-
jaune (1 barre)	Accu presque vide	Changer l'accu ou le recharger sans tarder
rouge (1 barre)	Accu vide	Changer d'accu ou le recharger

Affichage de température (14)	Signification/cause	Remède
Jaune	L'accu ou l'outil électroportatif est en surchauffe, la puissance est réduite	Laisser refroidir l'outil électroportatif ou remplacer l'accu en surchauffe
Rouge	L'accu ou l'outil électroportatif est en surchauffe, l'outil électroportatif s'éteint automatiquement par mesure de protection	Laisser refroidir l'outil électroportatif ou remplacer l'accu en surchauffe

Sélection du mode de travail

Actionnez de façon répétée la touche (16) jusqu'à ce que le mode de travail souhaité soit éclairé.

Fonctions	
Indicateur mode de travail 100 % (15)	Mode de travail 100 % (avec démarrage en douceur Adaptive Speed Control) : montée en régime contrôlée jusqu'à la puissance maximale courte autonomie de batterie
Indicateur mode de travail 70 % (17)	Mode de travail 70 % (avec démarrage en douceur Adaptive Speed Control) : montée en régime contrôlée jusqu'à une puissance réduite afin de ménager les matériaux fragiles ; longue autonomie de batterie

Instructions d'utilisation

Affûtage des burins

Seuls des burins bien affûtés permettent d'obtenir de bons résultats. Affûtez donc les burins à temps. Cela prolonge par

ailleurs leur durée de vie et garantit de meilleurs résultats de travail.

Réaffûtage

Affûtez les burins à l'aide de meules (avec corindon semi-friable par ex.) en veillant à un arrosage régulier. Veillez à ce

qu'il n'apparaisse pas de couleurs de revenu ; celles-ci altèrent la dureté des burins.

Pour le **forgeage**, chauffez le burin à une température se situant entre 850 et 1050 °C (couleur rouge claire à jaune). Pour la **trempe**, chauffez le burin à env. 900 °C et refroidissez-le dans de l'huile. Procédez ensuite à un recuit en plaçant le burin dans le four pendant une heure env. à 320 °C (couleur bleu clair).

Régulation électronique de vitesse (Adaptive Speed Control)



Pour une meilleure maîtrise et une amorce plus précise, l'outil électroportatif démarre avec une petite vitesse de rotation et accélère ensuite jusqu'à la vitesse réglée.

La régulation électronique de vitesse (Adaptive Speed Control) entre en action automatiquement lorsque le burin entre en contact avec la surface à travailler lors de travaux de burinage.

La vitesse de rotation est réduite de manière temporisée lorsque le burin est éloigné de la surface à travailler.

Dispositif d'amortissement des vibrations



Le dispositif intégré d'amortissement des vibrations (Vibration Control) réduit les vibrations générées en cours

d'utilisation.

- **Ne continuez pas à utiliser l'outil électroportatif si l'élément d'amortissement est endommagé.**

Entretien et Service après-vente

Nettoyage et entretien

- **Retirez systématiquement la batterie avant toute intervention sur l'outil électroportatif (maintenance, changement d'accessoire, etc.).** Il y a sinon risque de blessure si vous appuyez par mégarde sur l'interrupteur Marche/Arrêt.
- **Tenez toujours propres l'outil électroportatif ainsi que les fentes de ventilation afin d'obtenir un travail impeccable et sûr.**
- **Remplacez immédiatement le capuchon anti-poussière s'il est endommagé. Il est recommandé de faire effectuer ce travail dans un centre de service après-vente.**

Lubrification de l'outil électroportatif

L'outil électroportatif est déjà lubrifié et aussitôt prêt à l'emploi.

La graisse de lubrification n'a besoin d'être remplacée que dans le cadre d'un entretien ou d'une réparation confiés à un centre de Service après-vente agréé pour outillage électroportatif Bosch. Il est impératif d'utiliser alors la graisse de lubrification Bosch préconisée.

Service après-vente et conseil utilisateurs

Notre Service après-vente répond à vos questions concernant la réparation et l'entretien de votre produit et les pièces

de rechange. Vous trouverez des vues éclatées et des informations sur les pièces de rechange sur le site :

www.bosch-pt.com

L'équipe de conseil utilisateurs Bosch se tient à votre disposition pour répondre à vos questions concernant nos produits et leurs accessoires.

Pour toute demande de renseignement ou toute commande de pièces de rechange, précisez impérativement la référence à 10 chiffres figurant sur l'étiquette signalétique du produit.

Maroc

Robert Bosch Morocco SARL
53, Rue Lieutenant Mahroud Mohamed
20300 Casablanca
Tel. : +212 5 29 31 43 27
E-Mail : sav.outillage@ma.bosch.com

Vous trouverez d'autres adresses du service après-vente sous :

www.bosch-pt.com/serviceaddresses

Transport

Les batteries Lithium-ion recommandées sont soumises à la réglementation relative au transport de matières dangereuses. Pour le transport sur route par l'utilisateur, aucune autre mesure n'a besoin d'être prise.

Lors d'une expédition par un tiers (par ex. transport aérien ou entreprise de transport), des exigences spécifiques doivent être respectées concernant l'emballage et le marquage. Pour la préparation de l'envoi, faites-vous conseiller par un expert en transport de matières dangereuses.

N'expédiez que des accus dont le boîtier n'est pas endommagé. Recouvrez les contacts non protégés et emballez l'accu de manière à ce qu'il ne puisse pas se déplacer dans l'emballage. Veuillez également respecter les réglementations supplémentaires éventuellement en vigueur.

Élimination des déchets



Les outils électroportatifs, les accus ainsi que leurs accessoires et emballages doivent être rapportés dans un centre de recyclage respectueux de l'environnement.



Ne jetez pas les outils électroportatifs et les accus/piles avec les ordures ménagères !

Accus/piles :

Li-ion :

Veuillez respecter les indications se trouvant dans le chapitre Transport (voir « Transport », Page 19).

Português

Instruções de segurança

Instruções gerais de segurança para ferramentas eléctricas

AVISO

Devem ser lidas todas as indicações de segurança,

instruções, ilustrações e especificações desta ferramenta eléctrica. O desrespeito das instruções apresentadas abaixo poderá resultar em choque eléctrico, incêndio e/ou ferimentos graves.

Guarde bem todas as advertências e instruções para futura referência.

O termo "ferramenta eléctrica" utilizado a seguir nas indicações de advertência, refere-se a ferramentas eléctricas operadas com corrente de rede (com cabo de rede) e a ferramentas eléctricas operadas com acumulador (sem cabo de rede).

Segurança da área de trabalho

- ▶ **Mantenha a sua área de trabalho sempre limpa e bem iluminada.** Desordem ou áreas de trabalho insuficientemente iluminadas podem levar a acidentes.
- ▶ **Não trabalhar com a ferramenta eléctrica em áreas com risco de explosão, nas quais se encontrem líquidos, gases ou pós inflamáveis.** Ferramentas eléctricas produzem faíscas, que podem inflamar pós ou vapores.
- ▶ **Manter crianças e outras pessoas afastadas da ferramenta eléctrica durante a utilização.** No caso de distração é possível que perca o controlo sobre o aparelho.

Segurança eléctrica

- ▶ **A ficha de conexão da ferramenta eléctrica deve caber na tomada. A ficha não deve ser modificada de maneira alguma. Não utilizar uma ficha de adaptação junto com ferramentas eléctricas protegidas por ligação à terra.** Fichas não modificadas e tomadas apropriadas reduzem o risco de um choque eléctrico.
- ▶ **Evitar que o corpo possa entrar em contacto com superfícies ligadas à terra, como tubos, aquecimentos, fogões e frigoríficos.** Há um risco elevado devido a um choque eléctrico, se o corpo estiver ligado à terra.
- ▶ **Manter o aparelho afastado de chuva ou humidade.** A infiltração de água numa ferramenta eléctrica aumenta o risco de choque eléctrico.
- ▶ **Não deverá utilizar o cabo para outras finalidades. Nunca utilizar o cabo para transportar a ferramenta eléctrica, para pendurá-la, nem para puxar a ficha da tomada. Manter o cabo afastado do calor, do óleo, de arestas afiadas ou de peças em movimento.** Cabos danificados ou emaranhados aumentam o risco de um choque eléctrico.

- ▶ **Se trabalhar com uma ferramenta eléctrica ao ar livre, só deverá utilizar cabos de extensão apropriados para áreas exteriores.** A utilização de um cabo de extensão apropriado para áreas exteriores reduz o risco de um choque eléctrico.
- ▶ **Se não for possível evitar o funcionamento da ferramenta eléctrica em áreas húmidas, deverá ser utilizado um disjuntor de corrente de avaria.** A utilização de um disjuntor de corrente de avaria reduz o risco de um choque eléctrico.

Segurança de pessoas

- ▶ **Esteja atento, observe o que está a fazer e tenha prudência ao trabalhar com a ferramenta eléctrica. Não utilizar uma ferramenta eléctrica quando estiver fatigado ou sob a influência de drogas, álcool ou medicamentos.** Um momento de descuido ao utilizar a ferramenta eléctrica, pode levar a lesões graves.
- ▶ **Utilizar equipamento de protecção individual. Utilizar sempre óculos de protecção.** A utilização de equipamento de protecção pessoal, como máscara de protecção contra pó, sapatos de segurança antiderrapantes, capacete de segurança ou protecção auricular, de acordo com o tipo e aplicação da ferramenta eléctrica, reduz o risco de lesões.
- ▶ **Evitar uma colocação em funcionamento involuntária. Assegure-se de que a ferramenta eléctrica esteja desligada, antes de conectá-la à alimentação de rede e/ou ao acumulador, antes de levantá-la ou de transportá-la.** Se tiver o dedo no interruptor ao transportar a ferramenta eléctrica ou se o aparelho for conectado à alimentação de rede enquanto estiver ligado, poderão ocorrer acidentes.
- ▶ **Remover ferramentas de ajuste ou chaves de boca antes de ligar a ferramenta eléctrica.** Uma ferramenta ou chave que se encontre numa parte do aparelho em movimento pode levar a lesões.
- ▶ **Evite uma posição anormal. Mantenha uma posição firme e mantenha sempre o equilíbrio.** Desta forma é mais fácil controlar a ferramenta eléctrica em situações inesperadas.
- ▶ **Usar roupa apropriada. Não usar roupa larga nem jóias. Mantenha os cabelos e roupas afastados de peças em movimento.** Roupas frouxas, cabelos longos ou jóias podem ser agarrados por peças em movimento.
- ▶ **Se for possível montar dispositivos de aspiração ou de recolha, assegure-se de que estejam conectados e utilizados correctamente.** A utilização de uma aspiração de pó pode reduzir o perigo devido ao pó.
- ▶ **Não deixe que a familiaridade resultante de uma utilização frequente de ferramentas permita que você se torne complacente e ignore os princípios de segurança da ferramenta.** Uma acção descuidada pode causar ferimentos graves numa fracção de segundo.

Utilização e manuseio cuidadoso de ferramentas eléctricas

- ▶ **Não sobrecarregue a ferramenta eléctrica. Utilize a ferramenta eléctrica apropriada para o seu trabalho.** É melhor e mais seguro trabalhar com a ferramenta eléctrica apropriada na área de potência indicada.
- ▶ **Não utilizar uma ferramenta eléctrica com um interruptor defeituoso.** Uma ferramenta eléctrica que não pode mais ser ligada nem desligada, é perigosa e deve ser reparada.
- ▶ **Puxar a ficha da tomada e/ou remover o acumulador, se amovível, antes de executar ajustes na ferramenta eléctrica, de substituir acessórios ou de guardar as ferramentas eléctricas.** Esta medida de segurança evita o arranque involuntário da ferramenta eléctrica.
- ▶ **Guardar ferramentas eléctricas não utilizadas fora do alcance de crianças e não permitir que as pessoas que não estejam familiarizadas com o aparelho ou que não tenham lido estas instruções utilizem o aparelho.** Ferramentas eléctricas são perigosas se forem utilizadas por pessoas inexperientes.
- ▶ **Tratar a ferramenta eléctrica e os acessórios com cuidado. Controlar se as partes móveis do aparelho funcionam perfeitamente e não emperram, e se há peças quebradas ou danificadas que possam prejudicar o funcionamento da ferramenta eléctrica. Permitir que peças danificadas sejam reparadas antes da utilização.** Muitos acidentes têm como causa, a manutenção insuficiente de ferramentas eléctricas.
- ▶ **Manter as ferramentas de corte afiadas e limpas.** Ferramentas de corte cuidadosamente tratadas e com cantos de corte afiados emperram com menos frequência e podem ser conduzidas com maior facilidade.
- ▶ **Utilizar a ferramenta eléctrica, acessórios, ferramentas de aplicação, etc. conforme estas instruções. Considerar as condições de trabalho e a tarefa a ser executada.** A utilização de ferramentas eléctricas para outras tarefas a não ser as aplicações previstas, pode levar a situações perigosas.
- ▶ **Mantenha os punhos e as superfícies de agarrar secas, limpas e livres de óleo e massa consistente.** Punhos e superfícies de agarrar escorregadias não permitem o manuseio e controle seguros da ferramenta em situações inesperadas.

Manuseio e utilização cuidadosos de ferramentas com acumuladores

- ▶ **Só carregar acumuladores em carregadores recomendados pelo fabricante.** Há perigo de incêndio se um carregador apropriado para um certo tipo de acumuladores for utilizado para carregar acumuladores de outros tipos.
- ▶ **Só utilizar ferramentas eléctricas com os acumuladores apropriados.** A utilização de outros acumuladores pode levar a lesões e perigo de incêndio.
- ▶ **Manter o acumulador que não está sendo utilizado afastado de cliques, moedas, chaves, parafusos ou**

outros pequenos objectos metálicos que possam causar um curto-circuito dos contactos. Um curto-circuito entre os contactos do acumulador pode ter como consequência queimaduras ou fogo.

- ▶ **No caso de aplicação incorrecta pode vaziar líquido do acumulador. Evitar o contacto. No caso de um contacto accidental, deverá enxaguar com água. Se o líquido entrar em contacto com os olhos, também deverá consultar um médico.** Líquido que escapa do acumulador pode levar a irritações da pele ou a queimaduras.
- ▶ **Não use um acumulador ou uma ferramenta danificada ou modificada.** Os acumuladores danificados ou modificados exibem um comportamento imprevisível podendo causar incêndio, explosão ou risco de lesão.
- ▶ **Não exponha o acumulador ou a ferramenta ao fogo ou temperatura excessiva.** A exposição ao fogo ou a temperaturas acima de 130 °C pode causar explosão.
- ▶ **Siga todas as instruções de carregamento e não carregue o acumulador ou a ferramenta fora da faixa de temperatura especificada no manual de instruções.** Carregar indevidamente ou em temperaturas fora da faixa especificada pode danificar o acumulador e aumentar o risco de incêndio.

Serviço

- ▶ **Só permita que o seu aparelho seja reparado por pessoal especializado e qualificado e só com peças de reposição originais.** Desta forma é assegurado o funcionamento seguro do aparelho.
- ▶ **Nunca tente reparar acumuladores danificados.** A reparação de acumuladores deve ser realizada apenas pelo fabricante ou agentes de assistência autorizados.

Instruções de segurança para martelos

Instruções de segurança para todas as operações

- ▶ **Use protetores auditivos.** A exposição ao ruído pode provocar a perda da audição.
- ▶ **Use o(s) punho(s) auxiliar(es), caso seja(m) fornecido(s) com a ferramenta.** A perda de controlo pode resultar em ferimentos pessoais.
- ▶ **Segure a ferramenta eléctrica nas superfícies de agarrar isoladas, ao executar uma operação onde o acessório de corte possa entrar em contacto com cabos escondidos.** Se o acessório de corte entrar em contacto com um fio "sob tensão", as partes metálicas expostas da ferramenta eléctrica ficam "sob tensão" e podem produzir um choque elétrico.

Instruções de segurança adicionais

- ▶ **Utilizar detetores apropriados, para encontrar cabos escondidos, ou consulte a companhia eléctrica local.** O contacto com cabos eléctricos pode provocar fogo e choques eléctricos. Danos em tubos de gás podem levar à explosão. A infiltração num cano de água provoca danos materiais.

- ▶ **Esperre que a ferramenta elétrica pare completamente, antes de depositá-la.** A ferramenta de aplicação pode emperrar e levar à perda de controlo sobre a ferramenta elétrica.
- ▶ **Fixar a peça a ser trabalhada.** Uma peça a ser trabalhada fixa com dispositivos de aperto ou com torno de bancada está mais firme do que segurada com a mão.
- ▶ **Logo a seguir à operação não toque nos acessórios ou em peças da carcaça adjacentes.** Estes podem ficar muito quentes durante a operação e causar queimaduras.
- ▶ **Tenha cuidado nos trabalhos de demolição com o cinzel.** Fragmentos do material de demolição podem ferir pessoas à volta ou a própria pessoa.
- ▶ **Em caso de danos e de utilização incorreta da bateria, podem escapar vapores. A bateria pode incendiar-se ou explodir.** Areje o espaço e procure assistência médica no caso de apresentar queixas. É possível que os vapores irrite as vias respiratórias.
- ▶ **Não abrir o acumulador.** Há risco de um curto-circuito.
- ▶ **Os objetos afiados como, p. ex., pregos ou chaves de fendas, assim como o efeito de forças externas podem danificar o acumulador.** Podem causar um curto-circuito interno e o acumulador pode ficar queimado, deitar fumo, explodir ou sobreaquecer.
- ▶ **Utilize a bateria apenas em produtos do fabricante.** Só assim é que a bateria é protegida contra sobrecarga perigosa.



Proteger a bateria contra calor, p. ex. também contra uma permanente radiação solar, fogo, sujidade, água e humidade. Há risco de explosão ou de um curto-circuito.



- ▶ **Durante o trabalho, segure a ferramenta elétrica com as duas mãos e providencie uma estabilidade segura.** A ferramenta elétrica é conduzida com maior segurança com ambas as mãos.

Símbolos

Os seguintes símbolos podem ser importantes para a utilização da sua ferramenta elétrica. Os símbolos e os seus significados devem ser memorizados. A interpretação correta dos símbolos facilita a utilização segura e aprimorada da ferramenta elétrica.

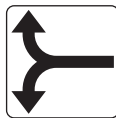
Símbolos e seus significados



Para substituir a ferramenta de trabalho, puxar a bucha de travamento para trás.



Símbolos e seus significados



Para alterar a posição do cinzel, empurrar o anel para ajuste do cinzel para a frente e rodar.

Descrição do produto e do serviço



Leia todas as instruções de segurança e instruções. A inobservância das instruções de segurança e das instruções pode causar choque elétrico, incêndio e/ou ferimentos graves.

Respeite as figuras na parte da frente do manual de instruções.

Utilização adequada

A ferramenta elétrica é destinada para trabalhos de cinzelagem em betão, tijolo, pedra e asfalto, assim como para inserir e compactar.

Componentes ilustrados

A numeração dos componentes ilustrados refere-se à apresentação da ferramenta elétrica na página de esquemas.

- (1) Capa de proteção contra pó
 - (2) Bucha de travamento
 - (3) Anel para ajuste do cinzel (Vario-Lock)
 - (4) Amortecimento das vibrações
 - (5) Tecla de fixação para o interruptor de ligar/desligar
 - (6) Punho (superfície do punho isolada)
 - (7) Interruptor de ligar/desligar
 - (8) Bateria^{a)}
 - (9) Punho adicional (superfície do punho isolada)
 - (10) Luz de trabalho
 - (11) Tecla de desbloqueio da bateria^{a)}
 - (12) Interface de utilizador
 - (13) Indicação de estado da ferramenta elétrica (interface de utilizador)
 - (14) Indicação temperatura (interface de utilizador)
 - (15) Indicação do modo de trabalho 100% (interface de utilizador)
 - (16) Tecla para seleção do modo de trabalho (interface de utilizador)
 - (17) Indicação do modo de trabalho 70% (interface de utilizador)
 - (18) Indicador do nível de carga da bateria (interface de utilizador)
 - (19) Porca serrilhada para punho adicional
- a) **Este acessório não faz parte do material a fornecer padrão.**

Dados técnicos

Martelo de percussão a bateria		GSH 18V-5
Número de produto		3 611 J18 2..
Tensão nominal	V=	18
N.º de impactos ^{A)}	i.p.m.	3050
Encabadouro da ferramenta		SDS max
Peso ^{B)}	kg	5,6–6,6
Temperatura ambiente recomendada durante o carregamento	°C	0 ... +35
Temperatura ambiente admissível em funcionamento ^{C)} e durante o armazenamento	°C	-20 ... +50
Baterias compatíveis		GBA 18V... ProCORE18V...
Baterias recomendadas para capacidade máxima		ProCORE18V... ≥ 5,5 Ah
Carregadores recomendados		GAL 18... GAX 18... GAL 36...

A) Medido a 20–25 °C com bateria **ProCORE18V 12.0Ah**.

B) dependendo da bateria utilizada

C) Potência limitada com temperaturas <0 °C

Os valores podem variar em função do produto e estar sujeitos a condições de aplicação e do meio ambiente. Para mais informações consulte www.bosch-professional.com/wac.

Informação sobre ruídos/vibrações

Os valores de emissão de ruído foram determinados de acordo com **EN IEC 62841-2-6**.

O nível sonoro avaliado como A da ferramenta elétrica é normalmente de: nível de pressão sonora **89 dB(A)**; nível de potência sonora **97 dB(A)**. Incerteza K=3 dB.

Utilizar proteção auditiva!

Valores totais de vibração a_n (soma dos vetores das três direções) e incerteza K determinada segundo

EN IEC 62841-2-6:

Cinzelar: $a_n = 13,8 \text{ m/s}^2$, $K = 1,5 \text{ m/s}^2$

O nível de vibrações indicado nestas instruções e o valor de emissões sonoras foram medidos de acordo com um processo de medição normalizado e podem ser utilizados para a comparação de ferramentas elétricas. Também são adequados para uma avaliação provisória das emissões sonoras e de vibrações.

O nível de vibrações indicado e o valor de emissões sonoras representam as aplicações principais da ferramenta elétrica. Se a ferramenta elétrica for utilizada para outras aplicações, com outras ferramentas de trabalho ou com manutenção insuficiente, é possível que o nível de vibrações e de emissões sonoras seja diferente. Isto pode aumentar

sensivelmente a emissão sonora e de vibrações para o período completo de trabalho.

Para uma estimativa exata da emissão sonora e de vibrações, também deveriam ser considerados os períodos nos quais o aparelho está desligado ou funciona, mas não está sendo utilizado. Isto pode reduzir a emissão sonora e de vibrações durante o completo período de trabalho.

Além disso também deverão ser estipuladas medidas de segurança para proteger o operador contra o efeito de vibrações, como por exemplo: manutenção de ferramentas elétricas e acessórios, manter as mãos quentes e organização dos processos de trabalho.

Bateria

Bosch vende ferramentas elétricas sem fio também sem bateria. Pode consultar na embalagem se está incluída uma bateria no volume de fornecimento da sua ferramenta elétrica.

Carregar a bateria

► **Utilize apenas os carregadores listados nos dados técnicos.** Só estes carregadores são apropriados para os baterias de lítio utilizadas para a sua ferramenta elétrica.

Nota: devido a normas de transporte internacionais, as baterias de lítio são fornecidas parcialmente carregadas. Para assegurar a completa potência da bateria, a bateria deverá ser carregada completamente antes da primeira utilização.

Colocar a bateria

Insira a bateria carregada no respetivo encaixe, até que esta esteja engatada.

Retirar a bateria



Para retirar a bateria, pressione a respetiva tecla de desbloqueio e puxe a bateria para fora. **Não empregue força.**

A bateria possui 2 níveis de travamento, que devem evitar, que a bateria caia, caso a tecla de desbloqueio da bateria seja premida por acaso. Enquanto a bateria estiver dentro da ferramenta elétrica, ela é mantida em posição por uma mola.

Indicador do nível de carga da bateria

Nota: Nem todos os tipos de bateria dispõem de um indicador do nível de carga de bateria.

Os LEDs verdes do indicador do nível de carga da bateria indicam o nível de carga da bateria. Por motivos de segurança, a consulta do nível de carga só é possível com a ferramenta elétrica parada.

Prima a tecla para o indicador do nível de carga da bateria  ou  para visualizar o nível de carga. Isto também é possível com a bateria removida.

Se, depois de premir a tecla para o indicador do nível de carga da bateria, não se acender qualquer LED, a bateria tem defeito e tem de ser substituída.

O nível de carga da bateria também é indicado na interface do utilizador (ver "Interface de utilizador", Página 25).

Tipo de bateria GBA 18V...



LED	Capacidade
Luz permanente 3 × verde	60–100 %
Luz permanente 2 × verde	30–60 %
Luz permanente 1 × verde	5–30 %
Luz intermitente 1 × verde	0–5 %

Tipo de bateria ProCORE18V...



LED	Capacidade
Luz permanente 5 × verde	80–100 %
Luz permanente 4 × verde	60–80 %
Luz permanente 3 × verde	40–60 %
Luz permanente 2 × verde	20–40 %
Luz permanente 1 × verde	5–20 %
Luz intermitente 1 × verde	0–5 %

Indicações sobre o manuseio ideal da bateria

Proteger a bateria contra humidade e água.

Armazene a bateria apenas na faixa de temperatura de -20 °C a 50 °C. Por exemplo, não deixe a bateria dentro do automóvel no verão.

Limpar de vez em quando as aberturas de ventilação da bateria com um pincel macio, limpo e seco.

Um tempo de funcionamento reduzido após o carregamento indica que a bateria está gasta e que deve ser substituída.

Observe as indicações sobre a eliminação de forma ecológica.

Montagem

- ▶ **Antes de qualquer trabalho na ferramenta elétrica (p. ex. manutenção, troca de ferramenta, etc.) retire a bateria da mesma.** Há perigo de ferimentos se o interruptor de ligar/desligar for acionado involuntariamente.

Punho adicional (ver figura A)

- ▶ **Utilize a ferramenta elétrica apenas com o punho adicional (9).**

Pode virar e/ou deslocar o punho adicional (9) à sua vontade, para obter uma posição de trabalho segura e sem fadiga.

- Solte a porca serrilhada (19), vire e/ou desloque o punho adicional (9) para a posição desejada e aperte novamente a porca serrilhada (19).

Troca de ferramenta

Com o encabadouro SDS max pode trocar de forma simples e confortável o acessório sem necessidade de ferramentas adicionais.

A capa de proteção contra pó (1) impede em grande medida que penetre pó no encabadouro da ferramenta durante o funcionamento. Ao introduzir a ferramenta deverá assegurar-se de que a capa de proteção contra pó (1) não é danificada.

- ▶ **Uma capa de proteção contra pó danificada deve ser substituída imediatamente. Recomendamos que o faça no Serviço de Assistência Técnica.**

Introduzir a ferramenta de trabalho (ver figura B)

- Limpar a extremidade de encaixe da ferramenta de trabalho e lubrificá-la levemente.
- Desloque a bucha de travamento (2) para trás e coloque o acessório rodando-o no encabadouro. Volte a soltar a bucha de travamento (2) para fixar o acessório.
- Puxar a ferramenta para controlar o travamento.

Remover o acessório (ver figura C)

- Desloque a bucha de travamento (2) para trás e retire o acessório do encabadouro.

Funcionamento

- ▶ **Antes de qualquer trabalho na ferramenta elétrica (p. ex. manutenção, troca de ferramenta, etc.) retire a bateria da mesma.** Há perigo de ferimentos se o interruptor de ligar/desligar for acionado involuntariamente.

Colocação em funcionamento

Ligar/desligar

- Para a **colocação em funcionamento** da ferramenta elétrica deverá pressionar o interruptor de ligar/desligar (7) e mantê-lo pressionado.
- Para **fixar** o interruptor de ligar/desligar (7) pressionado, prima o botão de fixação (5).
- Para **desligar** ferramenta elétrica liberte o interruptor de ligar/desligar (7) ou, se este estiver bloqueado com o botão de fixação (5), pressione o interruptor de ligar/desligar (7) brevemente e depois liberte-o.

No caso de temperaturas baixas, a ferramenta elétrica só atinge o seu poder de impacto completo após algum tempo.

Bloqueio de ligação

- ▶ A ferramenta elétrica está equipada com um bloqueio de ligação para impedir uma ligação inadvertida.

Ativar o bloqueio de ligação:

- No estado desligado, pressione o botão de fixação (5). Deste modo, o interruptor de ligar/desligar (7) é bloqueado impedindo uma ligação inadvertida.

Desativar o bloqueio de ligação:

- Pressione o botão de fixação (5) travado. Assim, o interruptor de ligar/desligar (7) é desbloqueado

e a ferramenta elétrica pode ser colocada em funcionamento.

Luz de trabalho

A luz de trabalho (10) acende-se com o interruptor de ligar/desligar (7) completamente ou ligeiramente premido e permite iluminar o local de trabalho em caso de condições de iluminação desfavoráveis.

Ajustar o número de impactos

Pode regular o número de impactos da ferramenta elétrica ligada de forma contínua, consoante a pressão que faz no interruptor de ligar/desligar (7).

Uma leve pressão sobre o interruptor de ligar/desligar (7) proporciona um número de impactos baixo. Aumentando a pressão, é aumentado o n.º de impactos.

Alterar a posição do cinzel (Vario-Lock) (ver figura D)

Pode fixar o cinzel em 12 posições. Desta forma pode escolher a melhor posição de trabalho para si.

- Introduzir o cinzel no encabadouro.
- Desloque o anel para ajuste do cinzel (3) para a frente e rode, com o anel para ajuste do cinzel (3), o cinzel para a posição desejada.
- Solte o anel para ajuste do cinzel (3) e rode o cinzel até este engatar.

Interface de utilizador

A interface de utilizador (12) é utilizada para a seleção do modo de trabalho bem como para a indicação do estado da ferramenta elétrica.

Indicadores de estado

Indicação de estado da ferramenta elétrica (13)	Significado	Solução
–	Ferramenta elétrica desligada	–
Verde	Ferramenta elétrica ligada e operacional	–
Amarelo	Temperatura crítica atingida ou bateria quase vazia	Deixar a ferramenta elétrica funcionar em vazio e arrefecer ou trocar ou carregar bateria em breve
Vermelho	A ferramenta elétrica está sobreaquecida ou a bateria está vazia	Deixar a ferramenta elétrica arrefecer ou trocar ou carregar a bateria
	Bateria muito fraca	Carregar bateria ou usar tipo de bateria recomendado
	Erros gerais	<ul style="list-style-type: none"> – Desligar e voltar a ligar a ferramenta elétrica ou remover e voltar a colocar a bateria Se o erro persistir: <ul style="list-style-type: none"> – Enviar a ferramenta elétrica para o serviço de apoio ao cliente

Indicador do nível de carga da bateria (interface de utilizador) (18)	Significado/Causa	Solução
verde (2 a 5 barras)	Bateria carregada	–
amarelo (1 barra)	Bateria quase vazia	Trocar ou carregar bateria em breve
vermelho (1 barra)	Acumulador vazio	Trocar ou carregar bateria

Indicação da temperatura (14)	Significado/causa	Solução
Amarelo	A temperatura de serviço da bateria ou da ferramenta elétrica aumenta claramente, a potência é reduzida	Deixar a ferramenta elétrica arrefecer ou substituir a bateria sobreaquecida
Vermelho	A temperatura de serviço da bateria ou da ferramenta elétrica foi ultrapassada. Como medida de proteção, a ferramenta elétrica é desligada	Deixar a ferramenta elétrica arrefecer ou substituir a bateria sobreaquecida

Selecionar o modo de trabalho

Prima a tecla **(16)** para escolher o modo de trabalho o número de vezes necessárias até acender o modo de trabalho desejado.

Funções	
Indicação do modo de trabalho 100% (15)	Modo de trabalho 100% (com arranque suave Adaptive Speed Control): arranque controlado até à potência máxima autonomia de funcionamento da bateria mais curta
Indicação do modo de trabalho 70% (17)	Modo de trabalho 70% (com arranque suave Adaptive Speed Control): arranque controlado até uma potência reduzida para o processamento de materiais sensíveis; autonomia de funcionamento da bateria mais longa

Instruções de trabalho

Afiar as ferramentas de cinzelar

Só com ferramentas de cinzelar afiadas é que obtém bons resultados, por isso afie as ferramentas de cinzelar atempadamente. Isto assegura uma longa duração das ferramentas e excelentes resultados de trabalho.

Reafiar

Afie os cinzéis em discos de rebarbar, p. ex. de corindo nobre, sob um abastecimento de água uniforme. Certifique-se de que não surge uma cor de têmpera no gume; tal influencia a dureza dos cinzéis.

Para **forjar** aqueça o cinzel para 850 a 1050 °C (vermelho claro a amarelo).

Para **têmpera** aqueça o cinzel para aprox. 900 °C e passe-o por óleo. Depois deixe-o no forno aprox. uma hora a 320 °C (cor de têmpera azul clara).

Controlo das rotações eletrónico (Adaptive Speed Control)



Para um melhor controlo e uma aplicação precisa, a ferramenta elétrica inicia com um número de rotações reduzido e aumenta-o então até ao número de rotações definido.

O controlo das rotações eletrónico é iniciado automaticamente quando o cinzel entra em contacto com a área de trabalho durante a utilização.

O número de rotações é reduzido com retardo quando o cinzel é afastado da área de trabalho.

Amortecimento das vibrações



O amortecimento das vibrações integrado reduz a ocorrência de vibrações.

- ▶ **Não continue a usar a ferramenta elétrica se o elemento amortecedor estiver danificado.**

Manutenção e assistência técnica

Manutenção e limpeza

- ▶ **Antes de qualquer trabalho na ferramenta elétrica (p. ex. manutenção, troca de ferramenta, etc.) retire a bateria da mesma.** Há perigo de ferimentos se o interruptor de ligar/desligar for acionado involuntariamente.

- ▶ **Manter a ferramenta elétrica e as aberturas de ventilação sempre limpas, para trabalhar bem e de forma segura.**
- ▶ **Uma capa de proteção contra pó danificada deve ser substituída imediatamente. Recomendamos que o faça no Serviço de Assistência Técnica.**

Lubrificação da ferramenta elétrica

A ferramenta elétrica está lubrificada com massa consistente e pode ser usada de imediato.

Uma substituição da massa consistente só é necessária no âmbito de uma manutenção ou reparação pela assistência técnica autorizada para ferramentas elétricas Bosch. Neste caso, deve ser usada impreterivelmente a massa consistente prevista pela Bosch.

Serviço pós-venda e aconselhamento

O serviço pós-venda responde às suas perguntas a respeito de serviços de reparação e de manutenção do seu produto, assim como das peças sobressalentes. Desenhos explodidos e informações acerca das peças sobressalentes também em: **www.bosch-pt.com**

A nossa equipa de consultores Bosch esclarece com prazer todas as suas dúvidas a respeito dos nossos produtos e acessórios.

Indique para todas as questões e encomendas de peças sobressalentes a referência de 10 dígitos de acordo com a placa de características do produto.

Brasil

Robert Bosch Ltda. – Divisão de Ferramentas Elétricas
Rodovia Anhanguera, Km 98 - Parque Via Norte
13065-900, CP 1195
Campinas, São Paulo
Tel.: 0800 7045 446
www.bosch.com.br/contato

Encontra outros endereços da assistência técnica em:

www.bosch-pt.com/serviceaddresses

Transporte

As baterias de íões de lítio recomendadas estão sujeitas ao direito de materiais perigosos. As baterias podem ser transportadas na rua pelo utilizador, sem mais obrigações. Na expedição por terceiros (por ex.: transporte aéreo ou expedição), devem ser observadas as especiais exigências quanto à embalagem e à designação. Neste caso é

necessário consultar um especialista de materiais perigosos ao preparar a peça a ser trabalhada.

Só enviar baterias se a carcaça não estiver danificada. Colar contactos abertos e embalar a bateria de modo que não possa se movimentar dentro da embalagem. Por favor observe também eventuais diretivas nacionais suplementares.

Eliminação



As ferramentas eléctricas, as baterias, os acessórios e as embalagens devem ser enviados a uma reciclagem ecológica de matéria prima.



Não deitar ferramentas eléctricas e baterias/pilhas no lixo doméstico!

Baterias/pilhas:

Lítio:

Observar as indicações no capítulo Transporte (ver "Transporte", Página 26).

- ▶ **Mantenga alejados a los niños y otras personas de su puesto de trabajo al emplear la herramienta eléctrica.** Una distracción le puede hacer perder el control sobre la herramienta eléctrica.

Seguridad eléctrica

- ▶ **El enchufe de la herramienta eléctrica debe corresponder a la toma de corriente utilizada. No es admisible modificar el enchufe en forma alguna. No emplear adaptadores en herramientas eléctricas dotadas con una toma de tierra.** Los enchufes sin modificar adecuados a las respectivas tomas de corriente reducen el riesgo de una descarga eléctrica.
- ▶ **Evite que su cuerpo toque partes conectadas a tierra como tuberías, radiadores, cocinas y refrigeradores.** El riesgo a quedar expuesto a una sacudida eléctrica es mayor si su cuerpo tiene contacto con tierra.
- ▶ **No exponga la herramienta eléctrica a la lluvia o a condiciones húmedas.** Existe el peligro de recibir una descarga eléctrica si penetran ciertos líquidos en la herramienta eléctrica.
- ▶ **No abuse del cable de red. No utilice el cable de red para transportar o colgar la herramienta eléctrica, ni tire de él para sacar el enchufe de la toma de corriente. Mantenga el cable de red alejado del calor, aceite, esquinas cortantes o piezas móviles.** Los cables de red dañados o enredados pueden provocar una descarga eléctrica.
- ▶ **Al trabajar con la herramienta eléctrica a la intemperie utilice solamente cables de prolongación apropiados para su uso al aire libre.** La utilización de un cable de prolongación adecuado para su uso en exteriores reduce el riesgo de una descarga eléctrica.
- ▶ **Si fuese imprescindible utilizar la herramienta eléctrica en un entorno húmedo, es necesario conectarla a través de un dispositivo de corriente residual (RCD) de seguridad (fusible diferencial).** La aplicación de un fusible diferencial reduce el riesgo a exponerse a una descarga eléctrica.

Seguridad de personas

- ▶ **Esté atento a lo que hace y emplee sentido común cuando utilice una herramienta eléctrica. No utilice la herramienta eléctrica si estuviese cansado, ni tampoco después de haber consumido drogas, alcohol o medicamentos.** El no estar atento durante el uso de la herramienta eléctrica puede provocar serias lesiones.
- ▶ **Utilice un equipo de protección personal. Utilice siempre una protección para los ojos.** El riesgo a lesionarse se reduce considerablemente si se utiliza un equipo de protección adecuado como una mascarilla antipolvo, zapatos de seguridad con suela antideslizante, casco, o protectores auditivos.
- ▶ **Evite una puesta en marcha involuntaria. Asegurarse de que la herramienta eléctrica esté desconectada antes de conectarla a la toma de corriente y/o al montar el acumulador, al recogerla y al transportarla.** Si transporta la herramienta eléctrica sujetándola por el interrup-

Español

Indicaciones de seguridad

Indicaciones generales de seguridad para herramientas eléctricas

⚠ ADVERTENCIA Lea íntegramente las advertencias de peligro, las instrucciones, las ilustraciones y las especificaciones entregadas con esta herramienta eléctrica. En caso de no atenerse a las instrucciones siguientes, ello puede ocasionar una descarga eléctrica, un incendio y/o una lesión grave.

Guardar todas las advertencias de peligro e instrucciones para futuras consultas.

El término "herramienta eléctrica" empleado en las siguientes advertencias de peligro se refiere a herramientas eléctricas de conexión a la red (con cable de red) y a herramientas eléctricas accionadas por acumulador (sin cable de red).

Seguridad del puesto de trabajo

- ▶ **Mantenga el área de trabajo limpia y bien iluminada.** Las áreas desordenadas u oscuras pueden provocar accidentes.
- ▶ **No utilice herramientas eléctricas en un entorno con peligro de explosión, en el que se encuentren combustibles líquidos, gases o material en polvo.** Las herramientas eléctricas producen chispas que pueden llegar a inflamar los materiales en polvo o vapores.

tor de conexión/desconexión, o si alimenta la herramienta eléctrica estando ésta conectada, ello puede dar lugar a un accidente.

- ▶ **Retire las herramientas de ajuste o llaves fijas antes de conectar la herramienta eléctrica.** Una herramienta de ajuste o llave fija colocada en una pieza rotante puede producir lesiones al poner a funcionar la herramienta eléctrica.
- ▶ **Evite posturas arriesgadas. Trabaje sobre una base firme y mantenga el equilibrio en todo momento.** Ello le permitirá controlar mejor la herramienta eléctrica en caso de presentarse una situación inesperada.
- ▶ **Lleve puesta una vestimenta de trabajo adecuada. No utilice vestimenta amplia ni joyas. Mantenga su pelo y vestimenta alejados de las piezas móviles.** La vestimenta suelta, el pelo largo y las joyas se pueden enganchar con las piezas en movimiento.
- ▶ **Si se proporcionan dispositivos para la conexión de las instalaciones de extracción y recogida de polvo, asegúrese que éstos estén conectados y que sean utilizados correctamente.** El empleo de estos equipos reduce los riesgos derivados del polvo.
- ▶ **No permita que la familiaridad ganada por el uso frecuente de herramientas eléctricas lo deje caer en la complacencia e ignore las normas de seguridad de herramientas.** Una acción negligente puede causar lesiones graves en una fracción de segundo.

Uso y trato cuidadoso de herramientas eléctricas

- ▶ **No sobrecargue la herramienta eléctrica. Utilice la herramienta eléctrica adecuada para su aplicación.** Con la herramienta eléctrica adecuada podrá trabajar mejor y más seguro dentro del margen de potencia indicado.
- ▶ **No utilice la herramienta eléctrica si el interruptor está defectuoso.** Las herramientas eléctricas que no se puedan conectar o desconectar son peligrosas y deben hacerse reparar.
- ▶ **Saque el enchufe de la red y/o retire el acumulador desmontable de la herramienta eléctrica, antes de realizar un ajuste, cambiar de accesorio o al guardar la herramienta eléctrica.** Esta medida preventiva reduce el riesgo a conectar accidentalmente la herramienta eléctrica.
- ▶ **Guarde las herramientas eléctricas fuera del alcance de los niños. No permita la utilización de la herramienta eléctrica a aquellas personas que no estén familiarizadas con su uso o que no hayan leído estas instrucciones.** Las herramientas eléctricas utilizadas por personas inexpertas son peligrosas.
- ▶ **Cuide las herramientas eléctricas y los accesorios. Controle la alineación de las piezas móviles, rotura de piezas y cualquier otra condición que pudiera afectar el funcionamiento de la herramienta eléctrica. En caso de daño, la herramienta eléctrica debe repararse antes de su uso.** Muchos de los accidentes se deben a herramientas eléctricas con un mantenimiento deficiente.

- ▶ **Mantenga los útiles limpios y afilados.** Los útiles mantenidos correctamente se dejan guiar y controlar mejor.
- ▶ **Utilice la herramienta eléctrica, los accesorios, los útiles, etc. de acuerdo a estas instrucciones, considerando en ello las condiciones de trabajo y la tarea a realizar.** El uso de herramientas eléctricas para trabajos diferentes de aquellos para los que han sido concebidas puede resultar peligroso.
- ▶ **Mantenga las empuñaduras y las superficies de las empuñaduras secas, limpias y libres de aceite y grasa.** Las empuñaduras y las superficies de las empuñaduras resbaladizas no permiten un manejo y control seguro de la herramienta eléctrica en situaciones imprevistas.

Trato y uso cuidadoso de herramientas accionadas por acumulador

- ▶ **Solamente recargar los acumuladores con los cargadores especificados por el fabricante.** Existe un riesgo de incendio al intentar cargar acumuladores de un tipo diferente al previsto para el cargador.
- ▶ **Utilice las herramientas eléctricas sólo con los acumuladores específicamente designados.** El uso de otro tipo de acumuladores puede provocar daños e incluso un incendio.
- ▶ **Si no utiliza el acumulador, guárdelo separado de objetos metálicos, como clips de papel, monedas, llaves, clavos, tornillos u otros objetos metálicos pequeños que pudieran puentear sus contactos.** El cortocircuito de los contactos del acumulador puede causar quemaduras o un incendio.
- ▶ **La utilización inadecuada del acumulador puede provocar fugas de líquido. Evite el contacto con él. En caso de un contacto accidental, enjuagar el área afectada con abundante agua. En caso de un contacto con los ojos, recurra además inmediatamente a ayuda médica.** El líquido del acumulador puede irritar la piel o producir quemaduras.
- ▶ **No emplee acumuladores o útiles dañados o modificados.** Los acumuladores dañados o modificados pueden comportarse en forma imprevisible y producir un fuego, explosión o peligro de lesión.
- ▶ **No exponga un paquete de baterías o una herramienta eléctrica al fuego o a una temperatura demasiado alta.** La exposición al fuego o a temperaturas sobre 130 °C puede causar una explosión.
- ▶ **Siga todas las instrucciones para la carga y no cargue nunca el acumulador o la herramienta eléctrica a una temperatura fuera del margen correspondiente especificado en las instrucciones.** Una carga inadecuada o a temperaturas fuera del margen especificado puede dañar el acumulador y aumentar el riesgo de incendio.

Servicio

- ▶ **Únicamente deje reparar su herramienta eléctrica por un experto cualificado, empleando exclusivamente piezas de repuesto originales.** Solamente así se mantiene la seguridad de la herramienta eléctrica.

- ▶ **No repare los acumuladores dañados.** El mantenimiento de los acumuladores sólo debe ser realizado por el fabricante o un servicio técnico autorizado.



Proteja la batería del calor excesivo, además de, p. ej., una exposición prolongada al sol, la suciedad, el fuego, el agua o la humedad. Existe riesgo de explosión y cortocircuito.



Indicaciones de seguridad para martillos

Instrucciones de seguridad para todas las operaciones

- ▶ **Use protectores auriculares.** La exposición al ruido puede causar una pérdida auditiva.
- ▶ **Utilice el(los) mango(s) auxiliar(es), si se suministra(n) con la herramienta.** La pérdida del control puede causar lesiones personales.
- ▶ **Sujete la herramienta eléctrica por las superficies de agarre aisladas al realizar trabajos en los que el accesorio de corte pueda llegar a tocar conductores eléctricos ocultos.** En el caso del contacto del accesorio de corte con conductores "bajo tensión", las partes metálicas expuestas de la herramienta eléctrica pueden quedar "bajo tensión" y dar al operador una descarga eléctrica.

Indicaciones de seguridad adicionales

- ▶ **Utilice unos aparatos de exploración adecuados para detectar conductores o tuberías ocultas, o consulte a sus compañías abastecedoras.** El contacto con conductores eléctricos puede provocar un incendio o una electrocución. Al dañar una tubería de gas puede producirse una explosión. La perforación de una tubería de agua puede causar daños materiales.
- ▶ **Espera a que se haya detenido la herramienta eléctrica antes de depositarla.** El útil puede engancharse y hacerle perder el control sobre la herramienta eléctrica.
- ▶ **Asegure la pieza de trabajo.** Una pieza de trabajo fijada con unos dispositivos de sujeción, o en un tornillo de banco, se mantiene sujeta de forma mucho más segura que con la mano.
- ▶ **No toque los útiles de inserción ni las partes adyacentes de la carcasa poco después de la utilización.** Pueden calentarse mucho durante el funcionamiento y causar quemaduras.
- ▶ **Tenga cuidado al realizar trabajos de demolición con un cincel.** La caída de fragmentos del material de demolición puede herir a las personas que se encuentren en el lugar o a usted mismo.
- ▶ **En caso de daño y uso inapropiado del acumulador pueden emanar vapores. El acumulador se puede quemar o explotar.** En tal caso, busque un entorno con aire fresco y acuda a un médico si nota molestias. Los vapores pueden llegar a irritar las vías respiratorias.
- ▶ **No intente abrir el acumulador.** Podría provocar un cortocircuito.
- ▶ **Mediante objetos puntiagudos, como p. ej. clavos o destornilladores, o por influjo de fuerza exterior se puede dañar el acumulador.** Se puede generar un cortocircuito interno y el acumulador puede arder, humear, explotar o sobrecalentarse.
- ▶ **Utilice el acumulador sólo en productos del fabricante.** Solamente así queda protegido el acumulador contra una sobrecarga peligrosa.

- ▶ **Durante el trabajo, sostenga firmemente la herramienta eléctrica con ambas manos y cuide una posición segura.** Utilizando ambas manos la herramienta eléctrica es guiada de forma más segura.

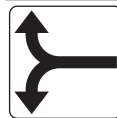
Símbolos

Los símbolos mostrados a continuación pueden ser de importancia en el uso de la herramienta eléctrica. Es importante que retenga en su memoria estos símbolos y su significado. La interpretación correcta de estos símbolos le ayudará a manejar mejor, y de forma más segura, la herramienta eléctrica.

Simbología y su significado



Para cambiar el útil de inserción, tire del casquillo de enclavamiento hacia atrás.



Para cambiar la posición del cincel, empuje el anillo de ajuste del cincel hacia delante y gírelo.

Descripción del producto y servicio



Lea íntegramente estas indicaciones de seguridad e instrucciones. Las faltas de observación de las indicaciones de seguridad y de las instrucciones pueden causar descargas eléctricas, incendios y/o lesiones graves.

Por favor, observe las ilustraciones en la parte inicial de las instrucciones de servicio.

Utilización reglamentaria

El aparato ha sido diseñado para realizar trabajos de cincelado en hormigón, ladrillo, piedra y asfalto, pudiendo emplearse también para clavar y compactar aplicando los respectivos accesorios especiales.

Componentes representados

La numeración de los componentes representados se refiere a la imagen de la herramienta eléctrica en la página ilustrada.

- (1) Caperuza guardapolvo
- (2) Casquillo de enclavamiento
- (3) Anillo de ajuste del cincel (Vario-Lock)
- (4) Amortiguador de vibraciones

- (5) Tecla de enclavamiento del interruptor de conexión/desconexión
- (6) Empuñadura (zona de agarre aislada)
- (7) Interruptor de conexión/desconexión
- (8) Acumulador^{a)}
- (9) Empuñadura adicional (zona de agarre aislada)
- (10) Luz de trabajo
- (11) Tecla de desenclavamiento del acumulador^{a)}
- (12) Interfaz de usuario
- (13) Indicador del estado de la herramienta eléctrica (interfaz de usuario)
- (14) Indicador de temperatura (interfaz de usuario)
- (15) Indicador del modo de trabajo 100 % (interfaz de usuario)
- (16) Tecla para la selección del modo de trabajo (interfaz de usuario)
- (17) Indicador del modo de trabajo 70 % (interfaz de usuario)
- (18) Indicador del estado de carga del acumulador (interfaz de usuario)
- (19) Tuerca moleteada para empuñadura adicional

a) **Este accesorio no están incluido en el volumen de suministro estándar.**

Datos técnicos

Martillo de percusión accionado por acumulador		GSH 18V-5
Número de artículo		3 611 J18 2..
Tensión nominal	V=	18
Número de impactos ^{A)}	min ⁻¹	3.050
Portaherramientas		SDS max
Peso ^{B)}	kg	5,6–6,6
Temperatura ambiente recomendada durante la carga	°C	0 ... +35
Temperatura ambiente permitida durante el funcionamiento ^{C)} y en el almacenamiento	°C	-20 ... +50
Acumuladores compatibles		GBA 18V... ProCORE18V...
Acumuladores recomendados para plena potencia		ProCORE18V... ≥ 5,5 Ah
Cargadores recomendados		GAL 18... GAX 18... GAL 36...

A) Medido a 20–25 °C con acumulador **ProCORE18V 12.0Ah**.

B) depende de la batería utilizada

C) Potencia limitada a temperaturas < 0 °C

Los valores pueden variar dependiendo del producto y están sujetos a la aplicación y a las condiciones medioambientales. Más información en www.bosch-professional.com/wac.

Información sobre ruidos y vibraciones

Valores de emisión de ruidos determinados según

EN IEC 62841-2-6.

El nivel de ruidos valorado con A de la herramienta eléctrica asciende típicamente a: nivel de presión acústica **89 dB(A)**; nivel de potencia acústica **97 dB(A)**. Inseguridad K=3 dB.

¡Llevar orejeras!

Valores totales de vibraciones a_h (suma de vectores de tres direcciones) e inseguridad K determinados según

EN IEC 62841-2-6:

Cinzelado: $a_h = 13,8 \text{ m/s}^2$, K = **1,5** m/s²

El nivel de vibraciones y el valor de emisiones de ruidos indicados en estas instrucciones han sido determinados según un procedimiento de medición normalizado y pueden servir como base de comparación con otras herramientas eléctricas. También son adecuados para estimar provisionalmente la emisión de vibraciones y ruidos.

El nivel de vibraciones y el valor de emisiones de ruidos indicados han sido determinados para las aplicaciones principales de la herramienta eléctrica. Por ello, el nivel de vibraciones y el valor de emisiones de ruidos pueden ser diferentes si la herramienta eléctrica se utiliza para otras aplicaciones, con útiles diferentes, o si el mantenimiento de la misma fue deficiente. Ello puede suponer un aumento drástico de la emisión de vibraciones y de ruidos durante el tiempo total de trabajo.

Para determinar con exactitud las emisiones de vibraciones y de ruidos, es necesario considerar también aquellos tiempos en los que el aparato esté desconectado, o bien, esté en funcionamiento, pero sin ser utilizado realmente. Ello puede suponer una disminución drástica de las emisiones de vibraciones y de ruidos durante el tiempo total de trabajo.

Fije unas medidas de seguridad adicionales para proteger al usuario de los efectos por vibraciones, como por ejemplo: Mantenimiento de la herramienta eléctrica y de los útiles, conservar calientes las manos, organización de las secuencias de trabajo.

Acumulador

Bosch también vende herramientas eléctricas accionadas por acumulador sin acumulador. En el embalaje puede ver si un acumulador está incluido en el volumen de suministro de su herramienta eléctrica.

Carga del acumulador

► **Utilice únicamente los cargadores que se enumeran en los datos técnicos.** Solamente estos cargadores han sido especialmente adaptados a los acumuladores de iones de litio empleados en su herramienta eléctrica.

Indicación: Los acumuladores de iones de litio se entregan parcialmente cargados debido a la normativa de transporte internacional. Con el fin de obtener la plena potencia del acumulador, cargue completamente el acumulador antes de su primer uso.

Montaje del acumulador

Desplace el acumulador cargado en el alojamiento del acumulador, hasta que encastre perceptible.

Desmontaje del acumulador



Para la extracción del acumulador, presione la tecla de desenclavamiento y retire el acumulador. **No proceda con brusquedad.**

El acumulador dispone de 2 etapas de enclavamiento para evitar que se salga en el caso de un accionamiento accidental de la tecla de desenclavamiento del acumulador. Mientras la batería esté montada en la herramienta eléctrica, permanecerá retenida en su posición mediante un resorte.

Indicador del estado de carga del acumulador

Indicación: No cada tipo de acumulador dispone de un indicador de estado de carga.

Los LEDs verdes del indicador del estado de carga del acumulador indican el estado de carga del acumulador. Por motivos de seguridad, la consulta del estado de carga es solo posible con la herramienta eléctrica parada.

Presione la tecla del indicador de estado de carga  o , para indicar el estado de carga. Esto también es posible con el acumulador desmontado.

Si tras presionar la tecla del indicador de estado de carga no se enciende ningún LED, significa que el acumulador está defectuoso y debe sustituirse.

El estado de carga del acumulador también se indica en la interfaz de usuario (ver "Interfaz de usuario", Página 32).

Tipo de acumulador GBA 18V...



Diodo luminoso (LED)	Capacidad
Luz permanente 3 × verde	60–100 %
Luz permanente 2 × verde	30–60 %
Luz permanente 1 × verde	5–30 %
Luz intermitente 1 × verde	0–5 %

Tipo de acumulador ProCORE18V...



Diodo luminoso (LED)	Capacidad
Luz permanente 5 × verde	80–100 %
Luz permanente 4 × verde	60–80 %
Luz permanente 3 × verde	40–60 %
Luz permanente 2 × verde	20–40 %
Luz permanente 1 × verde	5–20 %
Luz intermitente 1 × verde	0–5 %

Indicaciones para el trato óptimo del acumulador

Proteja el acumulador de la humedad y del agua.

Únicamente almacene el acumulador en el margen de temperatura desde –20 °C hasta 50 °C. P.ej., no deje el acumulador en el coche en verano.

Limpie de vez en cuando las rejillas de refrigeración del acumulador con un pincel suave, limpio y seco.

Si después de una recarga, el tiempo de funcionamiento del acumulador fuese muy reducido, ello es señal de que éste está agotado y deberá sustituirse.

Observe las indicaciones referentes a la eliminación.

Montaje

► **Antes de realizar cualquier trabajo en la herramienta eléctrica (p. ej., mantenimiento, cambio de herramienta, etc.), retire el acumulador de la herramienta eléctrica.** En caso contrario podría accidentarse al accionar fortuitamente el interruptor de conexión/desconexión.

Empuñadura adicional (ver figura A)

► **Utilice su herramienta eléctrica sólo con la empuñadura adicional (9).**

La empuñadura adicional (9) la puede girar y/o desplazar a voluntad, para lograr una postura de trabajo segura y libre de fatiga.

- Suelte la tuerca moleteada (19), gire y/o desplace la empuñadura adicional (9) hasta la posición deseada y vuelva a apretar la tuerca moleteada (19).

Cambio de útil

El portaútiles SDS max le permite cambiar el útil de forma sencilla y cómoda sin precisar para ello una herramienta adicional.

La caperuza guardapolvo (1) evita en gran medida la penetración de polvo en el portaútiles durante el funcionamiento. Al insertar el útil, asegúrese de que la caperuza guardapolvo (1) no se dañe.

► **Una caperuza guardapolvo dañada debe ser reemplazada inmediatamente. Se recomienda que este trabajo sea realizado por un servicio técnico.**

Colocar el útil (ver figura B)

- Limpie primero y aplique a continuación una capa ligera de grasa al extremo de inserción del útil.
- Deslice el casquillo de enclavamiento (2) hacia detrás e inserte girando el útil en el portaherramientas. Suelte de nuevo el casquillo de enclavamiento (2), para fijar el útil.
- Tire del útil para asegurarse de que ha quedado correctamente sujeto.

Retirar el útil (ver figura C)

- Deslice el casquillo de enclavamiento (2) hacia detrás y saque el útil.

Operación

► **Antes de realizar cualquier trabajo en la herramienta eléctrica (p. ej., mantenimiento, cambio de herra-**

menta, etc.), retire el acumulador de la herramienta eléctrica. En caso contrario podría accidentarse al accionar fortuitamente el interruptor de conexión/desconexión.

Puesta en marcha

Conexión/desconexión

- Para la **puesta en marcha** de la herramienta eléctrica, accionar y mantener en esa posición el interruptor de conexión/desconexión **(7)**.
- Para **enclavar** el interruptor de conexión/desconexión **(7)** apretado, oprima la tecla de enclavamiento **(5)**.
- Para **desconectar** la herramienta eléctrica, suelte el interruptor de conexión/desconexión **(7)** o si está bloqueado con la tecla de enclavamiento **(5)**, presione brevemente el interruptor de conexión/desconexión **(7)** y luego suéltelo.

A bajas temperaturas, la herramienta eléctrica solo alcanza su máxima potencia de impacto después de un cierto período de tiempo.

Bloqueo de conexión

- La herramienta eléctrica está equipada con un bloqueo de conexión para evitar que se conecte involuntariamente.

Activar el bloqueo de conexión:

- En el estado desconectado, presione la tecla de bloqueo **(5)**.
De este modo se bloquea el interruptor de conexión/desconexión **(7)** y se evita que se conecte involuntariamente.

Interfaz de usuario

La interfaz de usuario **(12)** sirve para la selección del modo de trabajo así como para la indicación del estado de la herramienta eléctrica.

Indicadores de estado

Indicador de estado de herramienta eléctrica (13)	Significado	Solución
-	Herramienta eléctrica desconectada	-
verde	Herramienta eléctrica conectada y lista para la aplicación	-
amarillo	Se ha alcanzado la temperatura crítica o el acumulador está casi vacío	La herramienta eléctrica se debe dejar funcionar al vacío y dejar enfriar o sustituir respectivamente cargar pronto el acumulador
rojo	La herramienta eléctrica está sobrecalentada o el acumulador está vacío	Dejar enfriar la herramienta eléctrica o sustituir respectivamente cargar el acumulador
	Acumulador demasiado descargado	Cargar el acumulador o utilizar el tipo de acumulador recomendado
	Errores generales	- Desconectar y conectar de nuevo la herramienta eléctrica o retirar y colocar de nuevo el acumulador Si persiste la avería: - Enviar la herramienta eléctrica al servicio de atención al cliente

Desactivar el bloqueo de conexión:

- Presione la tecla de bloqueo **(5)**.
De este modo se desbloquea el interruptor de conexión/desconexión **(7)** y la herramienta eléctrica se puede poner en funcionamiento.

Luz de trabajo

La luz de trabajo **(10)** se enciende con el interruptor de conexión/desconexión **(7)** leve o totalmente presionado y posibilita la iluminación de la zona de trabajo con condiciones de luz desfavorables.

Ajuste de la frecuencia de percusión

El número de impactos de la herramienta eléctrica conectada puede regularse de modo continuo, según la presión ejercida sobre el interruptor de conexión/desconexión **(7)**.

Una presión leve sobre el interruptor de conexión/desconexión **(7)** produce un número de impactos bajo. Incrementando paulatinamente la presión van aumentando el número de impactos.

Modificación de la posición para cincelar (Vario-Lock) (ver figura D)

Puede bloquear el cincel en **12** posiciones. Ello le permite adoptar en cada caso una posición de trabajo óptima.

- Monte el cincel en el portaútiles.
- Desplace el anillo de ajuste del cincel **(3)** hacia delante y gire el cincel con el anillo de ajuste del cincel **(3)** a la posición deseada.
- Suelte el anillo de ajuste del cincel **(3)** y gire el cincel, hasta que encastre.

Indicador del estado de carga del acumulador (interfaz de usuario) (18)	Significado/causa	Solución
verde (2 hasta 5 barras)	Acumulador cargado	–
amarillo (1 barra)	Acumulador casi vacío	Acumulador, sustituir o cargar pronto
rojo (1 barra)	Acumulador vacío	Acumulador, sustituir o cargar

Indicador de temperatura (14)	Significado/causa	Solución
Amarillo	La temperatura de servicio del acumulador o de la herramienta eléctrica ha aumentado significativamente, el rendimiento se reduce	La herramienta eléctrica se debe dejar enfriar o sustituir el acumulador sobrecalentado
Rojo	La temperatura de servicio del acumulador o de la herramienta eléctrica se ha sobrepasado, la herramienta eléctrica se desconecta para su protección	La herramienta eléctrica se debe dejar enfriar o sustituir el acumulador sobrecalentado

Seleccionar el modo de trabajo

Presione varias veces la tecla (16) para seleccionar el modo de trabajo, hasta que se ilumine el modo de trabajo deseado.

	Funciones
Indicador de modo de trabajo 100 % (15)	Modo de trabajo 100 % (con arranque suave Adaptive Speed Control): arranque controlado hasta la máxima potencia tiempo de funcionamiento del acumulador más corto
Indicador de modo de trabajo 70 % (17)	Modo de trabajo 70 % (con arranque suave Adaptive Speed Control): arranque controlado hasta una potencia reducida para la mecanización de materiales delicados; tiempo de funcionamiento del acumulador más largo

Instrucciones para la operación

Afilado de los cinceles

Reafile los cinceles con suficiente antelación, ya que solamente unos cinceles bien afilados le permiten obtener buenos resultados. Con ello se garantiza una gran longevidad de los útiles, además de unos buenos resultados en el trabajo.

Reafilado

Reafile los cinceles con muelas, p. ej. de corindón noble, bajo la aportación uniforme de agua. Preste atención, a que en los filos no aparezcan colores de revenido; esto menoscaba la dureza de los cinceles.

Para el **forjado**, caliente el cincel a 850 hasta 1050 °C (rojo claro hasta amarillo).

Para el **endurecido**, caliente el cincel a aprox. 900 °C y enfríelo bruscamente en aceite. A continuación, recuézalo en el horno durante aprox. una hora a 320 °C (color de recocado azul claro).

Control electrónico del número de revoluciones (Adaptive Speed Control)



Para un mejor control y una aplicación precisa, la herramienta eléctrica arranca a bajo número de revoluciones y luego lo aumenta hasta alcanzar el número de revoluciones ajustado.

El control electrónico del número de revoluciones se inicia automáticamente cuando el cincel entra en contacto con la zona de trabajo durante su aplicación.

El número de revoluciones se reduce con un retardo cuando se retira el cincel de la zona de trabajo.

Amortiguador de vibraciones



La amortiguación de vibraciones integrada reduce las vibraciones que se producen.

- **No siga utilizando la herramienta eléctrica si estuviese dañado el elemento amortiguador.**

Mantenimiento y servicio

Mantenimiento y limpieza

- **Antes de realizar cualquier trabajo en la herramienta eléctrica (p. ej., mantenimiento, cambio de herramienta, etc.), retire el acumulador de la herramienta eléctrica.** En caso contrario podría accidentarse al accionar fortuitamente el interruptor de conexión/desconexión.
- **Mantenga limpia la herramienta eléctrica y las rejillas de refrigeración para trabajar con eficacia y seguridad.**
- **Una caperuza guardapolvo dañada debe ser reemplazada inmediatamente. Se recomienda que este trabajo sea realizado por un servicio técnico.**

Lubricación de la herramienta eléctrica

La herramienta eléctrica se lubrica con grasa y está lista para su uso inmediato.

Una sustitución de la grasa lubricante solamente es necesaria realizarla en el marco de un mantenimiento o reparación por un servicio técnico autorizado para herramientas eléctricas Bosch. Al respecto, se debe utilizar imprescindiblemente la prevista grasa lubricante Bosch.

Servicio técnico y atención al cliente

El servicio técnico le asesorará en las consultas que pueda Ud. tener sobre la reparación y mantenimiento de su producto, así como sobre piezas de recambio. Las representaciones gráficas tridimensionales e informaciones de repuestos se encuentran también bajo: www.bosch-pt.com

El equipo asesor de aplicaciones de Bosch le ayuda gustosamente en caso de preguntas sobre nuestros productos y sus accesorios.

Para cualquier consulta o pedido de piezas de repuesto es imprescindible indicar el nº de artículo de 10 dígitos que figura en la placa de características del producto.

México

Robert Bosch, S. de R.L. de C.V.
Calle Robert Bosch No. 405
C.P. 50071 Zona Industrial, Toluca – Estado de México
Tel.: (52) 55 528430-62
Tel.: 800 6271286
www.boschherramientas.com.mx

Direcciones de servicio adicionales se encuentran bajo:

www.bosch-pt.com/serviceaddresses

Transporte

Los acumuladores de iones de litio recomendados están sujetos a los requerimientos de la ley de mercancías peligrosas. Los acumuladores pueden ser transportados por carretera por el usuario sin más imposiciones.

En el envío por terceros (p. ej., transporte aéreo o por agencia de transportes) deberán considerarse las exigencias especiales en cuanto a su embalaje e identificación. En este caso deberá recurrirse a los servicios de un experto en mercancías peligrosas al preparar la pieza para su envío.

Únicamente envíe acumuladores si su carcasa no está dañada. Si los contactos no van protegidos cúbralos con cinta adhesiva y embale el acumulador de manera que éste no se pueda mover dentro del embalaje. Observe también las prescripciones adicionales que pudieran existir al respecto en su país.

Eliminación

Las herramientas eléctricas, acumuladores, accesorios y embalajes deberán someterse a un proceso de recuperación que respete el medio ambiente.



¡No arroje las herramientas eléctricas, acumuladores o pilas a la basura!

**Acumuladores/pilas:
Iones de Litio:**

Por favor, observe las indicaciones en el apartado Transporte (ver "Transporte", Página 34).

NOM

El símbolo es solamente válido, si también se encuentra sobre la placa de características del producto/fabricado.

Português do Brasil**Indicações de segurança****Instruções gerais de segurança para
ferramentas elétricas****AVISO**

Leia todas as indicações de segurança, instruções, ilustrações e especificações fornecidas com esta ferramenta elétrica.

O desrespeito das instruções apresentadas abaixo poderá resultar em choque elétrico, incêndio e/ou ferimentos graves.

Guarde todas as advertências e instruções para futura referência.

O termo "ferramenta elétrica" em todos os avisos listados abaixo referem-se a ferramenta alimentada através de seu cordão de alimentação ou a ferramenta operada a bateria (sem cordão).

Segurança da área de trabalho

- ▶ **Mantenha a área de trabalho limpa e bem iluminada.** As áreas de trabalho desarrumadas ou escuras podem levar a acidentes.
- ▶ **Não opere as ferramentas elétricas em atmosferas explosivas, ou seja, na presença de líquidos, gases ou pós inflamáveis.** As ferramentas criam faíscas que podem inflamar a poeira ou os vapores.
- ▶ **Mantenha as crianças e outras pessoas afastadas da ferramenta elétrica durante o uso.** As distrações podem resultar na perda do controle.

Segurança elétrica

- ▶ **Os plugues da ferramenta devem ser compatíveis com as tomadas. Nunca modifique o plugue. Não use plugues de adaptador com ferramentas aterradas.** Os plugues sem modificações aliados a utilização de tomadas compatíveis reduzem o risco de choque elétrico.

- ▶ **Evite o contato do corpo com superfícies aterradas, como tubos, aquecedores, fogões e geladeiras.** Há um risco elevado de choque elétrico se seu corpo estiver aterrado.
- ▶ **Mantenha as ferramentas elétricas afastadas da chuva ou umidade.** A entrada de água em uma ferramenta elétrica aumenta o risco de choque elétrico.
- ▶ **Não use o cabo para outras finalidades. Jamais use o cabo para transportar, puxar ou desconectar a ferramenta elétrica. Mantenha o cabo afastado do calor, do óleo, de arestas afiadas ou de partes móveis.** Os cabos danificados ou emaranhados aumentam o risco de um choque elétrico.
- ▶ **Ao operar uma ferramenta elétrica ao ar livre, use um cabo de extensão adequado para áreas exteriores.** O uso de um cabo de extensão apropriado para áreas exteriores reduz o risco de choque elétrico.
- ▶ **Se não for possível evitar o funcionamento da ferramenta elétrica em áreas úmidas, utilizar uma alimentação protegida por um dispositivo de corrente diferencial residual (DR).** O uso de um DR reduz o risco de um choque elétrico.

Segurança pessoal

- ▶ **Fique atento, olhe o que está fazendo e use o bom senso ao operar uma ferramenta. Não use uma ferramenta elétrica quando estiver cansado ou sob a influência de drogas, álcool ou medicamentos.** Um momento de desatenção enquanto opera uma ferramenta pode resultar em graves ferimento pessoal.
- ▶ **Use equipamento de proteção individual. Use sempre óculos de proteção.** O uso de equipamento de proteção individual, como máscara de proteção contra poeira, sapatos de segurança antiderrapantes, capacete de segurança ou proteção auricular, usado nas condições adequadas irá reduzir o risco de ferimentos pessoais.
- ▶ **Evite a partida não intencional. Assegure-se de que o interruptor está na posição de desligado antes de conectar o plugue na tomada e/ou bateria, pegar ou carregar a ferramenta.** Carregar as ferramentas com o seu dedo no interruptor ou conectar as ferramentas que apresentam interruptor na posição "ligado", são convites a acidentes.
- ▶ **Remova qualquer ferramenta ou chave de ajuste antes de ligar a ferramenta elétrica.** Uma ferramenta ou chave ainda ligada a uma parte rotativa da ferramenta elétrica pode resultar em ferimentos pessoais.
- ▶ **Evite uma posição anormal. Mantenha uma posição firme e mantenha sempre o equilíbrio.** Desta forma é mais fácil controlar a ferramenta elétrica em situações inesperadas.
- ▶ **Use vestuário apropriado. Não use roupa larga nem joias. Mantenha seus cabelos e roupas afastados de partes móveis.** As roupas largas, joias ou cabelos longos podem ser agarrados por partes móveis.
- ▶ **Se for possível montar dispositivos de aspiração ou de coleta, assegure-se de que são conectados e usados**

corretamente. O uso de um dispositivo de coleta de poeira pode reduzir os riscos associados a poeiras.

- ▶ **Não deixe que a familiaridade resultante do uso frequente de ferramentas permita que você se torne complacente e ignore os princípios de segurança da ferramenta.** Uma ação descuidada pode causar ferimentos graves numa fração de segundo.

Uso e manuseio cuidadoso da ferramenta elétrica

- ▶ **Não sobrecarregue a ferramenta elétrica. Use a ferramenta elétrica correta para a sua aplicação.** É melhor e mais seguro trabalhar com a ferramenta elétrica apropriada na área de potência para a qual foi projetada.
 - ▶ **Não use a ferramenta elétrica se o interruptor estiver defeituoso.** Qualquer ferramenta elétrica que não pode mais ser controlada com o interruptor é perigosa e deve ser reparada.
 - ▶ **Desconecte o plugue da alimentação e/ou remova a bateria, se removível, da ferramenta elétrica antes de efetuar ajustes, trocar acessórios ou guardar as ferramentas elétricas.** Tais medidas de segurança preventivas reduzem o risco de se ligar a ferramenta acidentalmente.
 - ▶ **Guarde as ferramentas elétricas não utilizadas fora do alcance das crianças e não permita que as pessoas que não estejam familiarizadas com a ferramenta elétrica ou com essas instruções usem a ferramenta elétrica.** As ferramentas elétricas são perigosas nas mãos de usuários não treinados.
 - ▶ **Trate as ferramentas elétricas e acessórios com cuidado. Cheque o desalinhamento ou coesão das partes móveis, rachaduras e qualquer outra condição que possa afetar a operação da ferramenta. Se houver danos, repare a ferramenta elétrica antes do uso.** Muitos acidentes são causados por ferramentas elétricas com manutenção inadequada.
 - ▶ **Mantenha as ferramentas de corte afiadas e limpas.** As ferramentas de corte cuidadosamente mantidas e com arestas de corte afiadas emperram com menos frequência e são mais fáceis de controlar.
 - ▶ **Use a ferramenta elétrica, acessórios, bits etc. de acordo com essas instruções, considerando as condições de trabalho e o trabalho a executar.** O uso da ferramenta elétrica em tarefas diferentes das previstas poderá resultar em uma situação perigosa.
 - ▶ **Mantenha as empunhaduras e as superfícies de agarrar secas, limpas e livres de óleo e graxa.** As empunhaduras e superfícies de agarrar escorregadias não permitem o manuseio e controle seguros da ferramenta em situações inesperadas.
- #### Manuseio e uso cuidadoso da ferramenta com bateria
- ▶ **Recarregar somente com o carregador especificado pelo fabricante.** Um carregador que é adequado para um tipo de bateria pode gerar risco de fogo quando utilizado com outro tipo de bateria.

- ▶ **Use as ferramentas somente com as baterias especificamente designadas.** O uso de outro tipo de bateria pode gerar risco de ferimento e fogo.
- ▶ **Quando a bateria não estiver em uso, mantenha-o afastado de objetos metálicos como clips, moedas, chaves, pregos, parafusos ou outros objetos metálicos pequenos que podem fazer a ligação de um terminal com o outro.** O curto-circuito dos terminais da bateria pode gerar queimaduras ou fogo.
- ▶ **Sob condições abusivas, líquidos podem vaziar ser expelidos pela bateria; evite o contato. Se o contato acidental ocorrer, lave com água. Se o líquido entrar em contato com os olhos, consulte um médico.** Líquido expelido pela bateria podem causar irritação ou queimaduras.
- ▶ **Não use uma bateria ou uma ferramenta danificada ou modificada.** As baterias danificadas ou modificadas exibem um comportamento imprevisível podendo causar incêndio, explosão ou risco de ferimentos.
- ▶ **Não exponha a bateria ou a ferramenta ao fogo ou temperaturas excessivas.** A exposição ao fogo ou a temperaturas acima de 130 °C pode causar explosão.
- ▶ **Siga todas as instruções de carregamento e não carregue a bateria ou a ferramenta fora da faixa de temperatura especificada nas instruções.** O carregamento inadequado ou a temperaturas fora da faixa especificada pode danificar a bateria e aumentar o risco de incêndio.

Serviço

- ▶ **Somente permita que a sua ferramenta elétrica seja reparada por pessoal qualificado e usando peças de reposição originais.** Só dessa forma é assegurada a segurança da ferramenta elétrica.
- ▶ **Jamais tente reparar baterias danificadas.** O reparo de baterias deve ser somente realizado pelo fabricante ou por prestadores de serviços autorizados.

Instruções de segurança para martelos

Instruções de segurança para todas as operações

- ▶ **Use protetores auriculares.** A exposição ao ruído pode causar perda de audição.
- ▶ **Use a(s) empunhadoreis(s) auxiliar(es), se fornecida(s) com a ferramenta.** A perda de controle pode causar danos pessoais.
- ▶ **Segure a ferramenta elétrica pelas superfícies isoladas de manuseio, ao realizar uma operação na qual o acessório de corte possa entrar em contato com a fiação não aparente.** O contato do acessório de corte a um fio "vivo" pode tornar "vivas" as partes metálicas expostas da ferramenta e pode resultar ao operador um choque elétrico.

Indicações adicionais de segurança

- ▶ **Utilizar detectores apropriados, para encontrar cabos escondidos, ou consultar a companhia elétrica local.** O contato com cabos elétricos pode provocar fogo e

choques elétricos. Danos em tubos de gás podem levar a explosões. A penetração em um cano de água causa danos materiais.

- ▶ **Espere a ferramenta elétrica parar completamente, antes de depositá-la.** O acessório acoplável pode emperrar e levar à perda de controle sobre a ferramenta elétrica.
- ▶ **Fixar a peça a ser trabalhada.** Uma peça a ser trabalhada fixa com dispositivos de aperto ou com um torno de bancada está mais firme do que segurada com a mão.
- ▶ **Logo a seguir à operação não toque em acessórios ou em peças da carcaça adjacentes.** Estes podem ficar muito quentes durante a operação e causar queimaduras.
- ▶ **Tenha cuidado nos trabalhos de demolição com o cinzel.** Fragmentos do material de demolição podem ferir pessoas a seu lado ou você mesmo.
- ▶ **Em caso de danos e de utilização incorreta da bateria, podem escapar vapores. A bateria pode incendiar-se ou explodir.** Arejar bem o local de trabalho e consultar um médico se forem constatados quaisquer sintomas. Os vapores podem irritar as vias respiratórias.
- ▶ **Não abra a bateria.** Existe perigo de curto-circuito.
- ▶ **A bateria pode ser danificada com objetos pontiagudos como p. ex. prego ou chave de parafusos ou devido à influência de força externa.** Pode ocorrer um curto-circuito interno e a bateria pode arder, deitar fumo, explodir ou sobreaquecer.
- ▶ **Utilize a bateria apenas em produtos do fabricante.** Só assim é que a bateria fica protegida contra sobrecarga perigosa.



Proteja a bateria do calor, p. ex. radiação solar permanente, fogo, sujeira, água e umidade. Há risco de explosão ou de um curto-circuito.



- ▶ **Durante o trabalho, segure a ferramenta elétrica com as duas mãos e providencie uma estabilidade segura.** A ferramenta elétrica se deixa conduzir de forma segura com as duas mãos.

Símbolos

Os seguintes símbolos podem ser importantes para a utilização da sua ferramenta elétrica. Memorize os símbolos e o respetivo significado. A interpretação correta dos símbolos permite uma utilização melhor e mais segura da ferramenta elétrica.

Símbolos e seus respetivos significados



Para trocar a ferramenta de trabalho puxar o casquilho de travamento para trás.



Símbolos e seus respectivos significados

Para alterar a posição do cinzel, empurrar o anel de ajuste do cinzel para a frente e rodar.

Descrição do produto e especificações



Ler todas as indicações de segurança e instruções. O desrespeito das advertências e das instruções de segurança apresentadas abaixo pode causar choque elétrico, incêndio e/ou graves lesões.

Respeite as ilustrações na parte da frente do manual de instruções.

Utilização adequada

A ferramenta elétrica destina-se a trabalhos de cinzelagem em concreto, tijolo, pedra e asfalto, assim como perfurar e vedar com o respectivo acessório.

Componentes ilustrados

A numeração dos componentes ilustrados se refere à representação da ferramenta elétrica na página de esquemas.

- (1) Tampa contra o pó
- (2) Casquilho de travamento
- (3) Anel de ajuste do cinzel (Vario-Lock)
- (4) Amortecedor de vibrações
- (5) Botão de segurança do interruptor de ligar/desligar
- (6) Punho (superfície de aderência isolada)
- (7) Interruptor de ligar/desligar
- (8) Bateria^{a)}
- (9) Punho adicional (superfície de aderência isolada)
- (10) Luz de trabalho
- (11) Botão de destravamento da bateria^{a)}
- (12) Interface de usuário
- (13) Indicação de estado da ferramenta elétrica (interface de usuário)
- (14) Indicação de temperatura (interface de usuário)
- (15) Indicação dos modos de trabalho 100% (interface de usuário)
- (16) Botão para seleção do modo de trabalho (interface de usuário)
- (17) Indicação dos modos de trabalho 70% (interface de usuário)
- (18) Indicador do nível de carga da bateria (interface de usuário)
- (19) Porca serrilhada para punho adicional

a) **Este acessório não faz parte do volume de entrega padrão.**

Dados técnicos

Martelo de percussão sem fio		GSH 18V-5
Número de produto		3 611 J18 2..
Tensão nominal	V=	18
Nº de impactos ^{A)}	ipm	3050
Encabadouro da ferramenta		SDS max
Peso ^{B)}	kg	5,6–6,6
Temperatura ambiente recomendada ao carregar	°C	0 ... +35
Temperatura ambiente admissível durante o funcionamento ^{C)} e durante o armazenamento	°C	-20 ... +50
Baterias compatíveis		GBA 18V... ProCORE18V...
Baterias recomendadas para desempenho total		ProCORE18V... ≥ 5,5 Ah
Carregadores recomendados		GAL 18... GAX 18... GAL 36...

A) Medido a 20–25 °C com bateria **ProCORE18V 12.0Ah**.

B) depende da bateria utilizada

C) potência limitada a temperaturas < 0 °C

Os valores podem variar em função do produto e estar sujeitos a condições de aplicação e do meio ambiente. Mais informações em www.bosch-professional.com/wac.

Informação sobre ruídos/vibrações

Os valores de emissão de ruído foram determinados de acordo com **EN IEC 62841-2-6**.

O nível sonoro avaliado A da ferramenta elétrica é normalmente: nível de pressão sonora **89 dB(A)**; nível de potência sonora **97 dB(A)**. Incerteza K = **3 dB**.

Use proteção auditiva!

Valores totais de vibração a_h (soma vetorial nas três direções) e incerteza K determinada em função da **EN IEC 62841-2-6**:

Cinzelar: $a_h = 13,8 \text{ m/s}^2$, K = **1,5 m/s**²

Os níveis de vibrações indicados nestas instruções e o valor de emissão de ruído foram medidos de acordo com um método de medição padronizado e podem ser usados para comparar ferramentas elétricas entre si. Também são adequados para uma avaliação preliminar das emissões de vibrações e ruído.

Os níveis de vibrações indicados e o valor de emissão de ruído representam as principais aplicações da ferramenta elétrica. No entanto, se a ferramenta elétrica for usada para outras aplicações, com diferentes acessórios acopláveis ou com manutenção insuficiente, os níveis de vibrações e o valor de emissão de ruído podem ser diferentes. Isso pode aumentar significativamente as emissões de vibrações e ruído durante todo o período de trabalho.

Para uma estimativa precisa das emissões de vibrações e ruído, também devem ser considerados os momentos em que a ferramenta está desligada ou em funcionamento, mas não está realmente em uso. Isso pode reduzir significativamente as emissões de vibrações e ruído durante todo o período de trabalho.

Além disso também deverão ser estipuladas medidas de segurança para proteger o operador contra o efeito de vibrações, como por exemplo: a manutenção das ferramentas elétricas e dos acessórios acopláveis, luvas durante o trabalho e a organização dos processos de trabalho.

Bateria

A **Bosch** vende ferramentas elétricas sem fio também sem bateria. Pode consultar na embalagem se está incluída uma bateria no material a fornecer da sua ferramenta elétrica.

Carregar a bateria

► **Utilize somente os carregadores indicados nos dados técnicos.** Somente estes carregadores são adequados para a bateria de íons de lítio utilizada na sua ferramenta elétrica.

Nota: as baterias de lítio são fornecidas parcialmente carregadas devido aos regulamentos internacionais relativos ao transporte. Para assegurar a capacidade máxima da bateria, carregue completamente a bateria antes da primeira utilização.

Colocar a bateria

Empurre a bateria para o respectivo alojamento até que a bateria esteja engatada.

Remover a bateria

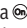

Para retirar a bateria, pressione o botão de destravamento e retire a bateria para fora. **Ao fazê-lo, não aplique força.**

A bateria dispõe de 2 níveis de bloqueio para evitar que a bateria caia se for pressionado acidentalmente o botão de destravamento da bateria. Enquanto a bateria estiver na ferramenta elétrica, ele será mantido em posição por meio de uma mola.

Indicador do nível de carga da bateria

Nota: Nem todos os tipos de bateria dispõem de um indicador do nível de carga de bateria.

Os LEDs verdes do indicador do nível de carga da bateria mostram o nível de carga da bateria. Por motivos de segurança, a consulta do nível de carga só é possível com a ferramenta elétrica parada.

Pressione a tecla para o indicador do nível de carga  ou  para exibir o nível de carga. Isto também é possível com a bateria removida.

Se depois de pressionar a tecla para o indicador do nível de carga não acender nenhum LED, a bateria tem defeito ou tem de ser substituída.

O nível de carga da bateria também é exibido na interface de usuário (ver "Interface de usuário", Página 39).

Tipo de bateria GBA 18V...



LED	Capacidade
Luz permanente 3 × verde	60–100 %
Luz permanente 2 × verde	30–60 %
Luz permanente 1 × verde	5–30 %
Luz intermitente 1 × verde	0–5 %

Tipo de bateria ProCORE18V...



LED	Capacidade
Luz permanente 5 × verde	80–100 %
Luz permanente 4 × verde	60–80 %
Luz permanente 3 × verde	40–60 %
Luz permanente 2 × verde	20–40 %
Luz permanente 1 × verde	5–20 %
Luz intermitente 1 × verde	0–5 %

Indicações para o manuseio ideal da bateria

Proteja a bateria de umidade e água.

Armazene a bateria apenas numa faixa de temperatura de -20 °C até 50 °C. Não deixe a bateria p. ex. dentro de um veículo no verão.

Limpe ocasionalmente as aberturas de ventilação da bateria com um pincel macio, limpo e seco.

Uma autonomia consideravelmente inferior após um carregamento, indica que a bateria está gasta e tem de ser substituída.

Observar a indicação sobre a eliminação de forma ecológica.

Montagem

► **Antes de qualquer trabalho na ferramenta elétrica (p. ex. manutenção, troca de ferramenta, etc.) retire a bateria da mesma.** Existe perigo de ferimentos no caso de acionamento acidental do interruptor de ligar/desligar.

Punho adicional (ver figura A)

► **Use sua ferramenta elétrica apenas com o punho adicional (9).**

Pode rodar e/ou deslocar o punho adicional (9) como desejar, para obter uma postura de trabalho segura e que não implique muito esforço.

- Solte a porca serrilhada (19), rode e/ou desloque o punho adicional (9) para a posição desejada e volte a apertar a porca serrilhada (19).

Troca de ferramenta

Com o encaixe SDS max é possível substituir de forma fácil e confortável a ferramenta de trabalho sem o uso de ferramentas adicionais.

A capa contra o pó **(1)** evita a penetração de pó no encabadouro durante o funcionamento. Ao inserir a ferramenta, se certifique de que a tampa contra o pó **(1)** não fica danificada.

► **Uma capa contra o pó danificada deve ser imediatamente substituída. Essa substituição deve ser feita pelo Serviço de Assistência Técnica.**

Colocar o acessório de trabalho (ver figura B)

- Limpe a haste de encaixe da ferramenta de trabalho e lubrifique ligeiramente.
- Empurre o casquilho de travamento **(2)** para trás e introduza a ferramenta de trabalho no encaixe girando-o. Volte a soltar o casquilho de travamento **(2)** para engatar a ferramenta de trabalho.
- Puxe a ferramenta para verificar o travamento.

Retirar a ferramenta de trabalho (ver figura C)

- Deslize o casquilho de travamento **(2)** para trás e retire a ferramenta de trabalho.

Funcionamento

► **Antes de qualquer trabalho na ferramenta elétrica (p. ex. manutenção, troca de ferramenta, etc.) retire a bateria da mesma.** Existe perigo de ferimentos no caso de acionamento acidental do interruptor de ligar/desligar.

Colocando em funcionamento

Ligar e desligar

- Para **ligar** a ferramenta elétrica pressione e mantenha pressionado o interruptor de ligar/desligar **(7)**.
- Para **bloquear** o interruptor de ligar/desligar pressionado **(7)** aperte a tecla de bloqueio **(5)**.
- Para **desligar** a ferramenta elétrica, solte o interruptor de ligar/desligar **(7)** ou, se estiver bloqueado com o botão

Interface de usuário

A interface de usuário **(12)** é utilizada para a seleção do modo de trabalho bem como para a indicação do estado da ferramenta elétrica.

Indicadores de estado

Indicação de estado da ferramenta elétrica (13)	Significado	Solução
–	Ferramenta elétrica desligada	–
Verde	Ferramenta elétrica ligada e operacional	–
Amarelo	Temperatura crítica atingida ou bateria quase vazia	Deixar a ferramenta elétrica funcionar em vazio e esfriar, ou trocar ou carregar bateria em breve

de segurança **(5)**, aperte brevemente o interruptor de ligar/desligar **(7)** e solte-o.

No caso de temperaturas baixas, a ferramenta elétrica atinge apenas após um determinado tempo a capacidade de impacto máxima.

Bloqueio de ligação

► A ferramenta elétrica está equipada com um bloqueio de ligação para evitar uma ligação inadvertida.

Ativar o bloqueio de ligação:

- No estado desligado, pressione o botão de segurança **(5)**.
Deste modo, o interruptor de ligar/desligar **(7)** é bloqueado para evitar uma ligação inadvertida.

Desativar o bloqueio de ligação:

- Pressione o botão de segurança **(5)** travado.
Deste modo, o interruptor de ligar/desligar **(7)** é desbloqueado e a ferramenta elétrica pode ser colocada em funcionamento.

Luz de trabalho

A luz de trabalho **(10)** se acende com o interruptor de ligar/desligar **(7)** ligeira ou totalmente pressionado e permite iluminar o local de trabalho com condições de luminosidade desfavoráveis.

Ajustar número de impactos

Pode regular o número de impactos da ferramenta elétrica ligada, dependendo do quanto o interruptor de ligar/desligar **(7)** é pressionado.

Uma leve pressão no interruptor de ligar/desligar **(7)** provoca um número de impactos mais baixo. Aumentando a pressão aumenta o número de impactos.

Alteração do ajuste do cinzel (Vario-Lock) (ver figura D)

Pode fixar o cinzel em **12** várias posições. Desta forma você consegue sempre a posição de trabalho ideal.

- Coloque o cinzel no mandril.
- Empurre o anel de ajuste do cinzel **(3)** para a frente e rode com o anel **(3)** o cinzel para a posição desejada.
- Solte o anel de ajuste do cinzel **(3)** e rode o cinzel até engatar.

Indicação de estado da ferramenta elétrica (13)	Significado	Solução
Vermelho	A ferramenta elétrica está superaquecida ou a bateria está vazia	Deixar a ferramenta elétrica esfriar, ou troque ou carregue a bateria
	Bateria demasiado fraca	Carregar a bateria ou utilizar o tipo de bateria recomendado
	Erro geral	<ul style="list-style-type: none"> Desligar e voltar a ligar a ferramenta elétrica ou retirar a bateria e voltar a colocá-la Se o erro persistir: <ul style="list-style-type: none"> Enviar a ferramenta elétrica para o serviço de assistência técnica

Indicador do nível de carga da bateria (interface de usuário) (18)	Significado/causa	Solução
verde (2 a 5 barras)	Bateria carregada	–
amarelo (1 barra)	Bateria quase vazia	Substituir ou carregar a bateria em breve
vermelho (1 barra)	Bateria vazia	Substituir ou carregar a bateria

Indicação de temperatura (14)	Significado/causa	Solução
Amarelo	A temperatura de serviço da bateria ou da ferramenta elétrica aumenta significativamente, o desempenho é reduzido	Deixar a ferramenta elétrica esfriar ou substituir a bateria sobreaquecida
Vermelho	A temperatura de serviço da bateria ou da ferramenta elétrica foi ultrapassada. Como medida de segurança, a ferramenta elétrica é desligada	Deixar a ferramenta elétrica esfriar ou substituir a bateria sobreaquecida

Selecionar o modo de trabalho

Pressione a tecla **(16)** para escolher o modo de trabalho o número de vezes necessárias até acender o modo de trabalho desejado.

Funções	
Indicação do modo de trabalho 100% (15)	Modo de trabalho 100% (com arranque suave Adaptive Speed Control): Arranque controlado até à potência máxima Autonomia mais curta da bateria
Indicação do modo de trabalho 70% (17)	Modo de trabalho 70% (com arranque suave Adaptive Speed Control): Arranque controlado até uma potência reduzida para o processamento de materiais sensíveis; Autonomia mais longa da bateria

Indicações de trabalho

Afiar as ferramentas de cinzelar

Somente com ferramentas de cinzelar se conseguem bons resultados, por isso afie as ferramentas de cinzelar atempadamente. Isso garante uma longa vida útil das ferramentas e excelentes resultados de trabalho.

Reafiar

Afie as ferramentas de cinzelar em rebolos, p. ex. corindo nobre, sob uma alimentação de água constante. Certifique-se de que não há cores de temperatura nos gumes; isso limita a dureza das ferramentas de cinzelar.

Para **forjar** aqueça o cinzel para 850 a 1050 °C (vermelho claro a amarelo).

Para **endurecer** aqueça o cinzel para aprox. 900 °C e resfrie-o em óleo. Depois deixe-o na fornalha aprox. uma hora a 320 °C (cor de temperatura azul claro).

Controle das rotações eletrônico (Adaptive Speed Control)



Para um melhor controle e uma aplicação precisa, a ferramenta elétrica inicia com um número de rotações reduzido e aumenta-o então até ao número de rotações definido. O controle eletrônico das rotações é iniciado

automaticamente quando o cinzel entra em contato com a área de trabalho durante a aplicação. O número de rotações é reduzido com atraso quando o cinzel é afastado da área de trabalho.

Amortecimento das vibrações



O amortecimento das vibrações integrado reduz a ocorrência de vibrações.

- ▶ **Não continue a usar a ferramenta elétrica se o elemento amortecedor estiver danificado.**

Manutenção e serviço

Manutenção e limpeza

- ▶ **Antes de qualquer trabalho na ferramenta elétrica (p. ex. manutenção, troca de ferramenta, etc.) retire a bateria da mesma.** Existe perigo de ferimentos no caso de acionamento acidental do interruptor de ligar/desligar.
- ▶ **Manter a ferramenta elétrica e as aberturas de ventilação sempre limpas, para trabalhar bem e de forma segura.**
- ▶ **Uma tampa contra o pó danificada deve ser imediatamente substituída. Essa substituição deve ser feita pelo Serviço de Assistência Técnica.**

Lubrificação da ferramenta elétrica

A ferramenta elétrica está lubrificada com graxa e pronta para uso.

A substituição da graxa só é necessária como parte de uma manutenção ou reparação através de um posto de assistência técnica autorizado para ferramentas elétricas Bosch. É essencial usar a graxa Bosch prevista.

Serviço pós-venda e assistência ao cliente

O serviço pós-venda responde às suas perguntas a respeito de serviços de reparação e de manutenção do seu produto, assim como das peças sobressalentes. Desenhos explodidos e informações sobre peças sobressalentes também em:

www.bosch-pt.com

A nossa equipe de consultores Bosch esclarece com prazer todas as suas dúvidas a respeito dos nossos produtos e acessórios.

Indique em todas as questões ou encomendas de peças sobressalentes impreterivelmente a referência de 10 dígitos de acordo com a placa de características do produto.

Brasil

Robert Bosch Ltda. – Divisão de Ferramentas Elétricas
Rodovia Anhanguera, Km 98 - Parque Via Norte
13065-900, CP 1195
Campinas, São Paulo
Tel.: 0800 7045 446
www.bosch.com.br/contato

Encontre outros endereços da assistência técnica em:

www.bosch-pt.com/serviceaddresses

Transporte

As baterias de lítio recomendadas estão em conformidade com os requisitos da regulamentação do transporte de mercadorias perigosas. As baterias podem ser transportadas pelo usuário nas vias públicas, sem nenhuma restrição.

No caso de envio através de terceiros (p. ex.: transporte aéreo ou transitário) é necessário respeitar os requisitos especiais para a embalagem e identificação. Neste caso, para a preparação da embalagem é necessário consultar um perito no transporte de mercadorias perigosas.

Só enviar baterias se a carcaça não estiver danificada. Colar contatos abertos e embalar o bateria de modo que não possa se movimentar dentro da embalagem. Por favor observe também eventuais diretrizes nacionais suplementares.

Descarte



Ferramentas elétricas, baterias, acessórios e embalagens devem ser enviados a uma reciclagem ecológica de matérias primas.



Não descarte as ferramentas elétricas e as baterias/pilhas no lixo doméstico!

Baterias/pilhas:

Lítio:

Por favor, observe as instruções na seção de transporte (ver "Transporte", Página 41).

中文

安全规章

电动工具通用安全警告

警告！ 阅读所有警告和所有说明！不遵照以下警告和说明会导致电击、着火和 / 或严重伤害。

保存所有警告和说明书以备查阅。

在所有下列的警告中术语“电动工具”指市电驱动（有线）电动工具或电池驱动（无线）电动工具。

工作场地的安全

- ▶ **保持工作场地清洁和明亮。** 混乱和黑暗的场地会引发事故。
- ▶ **不要在易爆环境，如有易燃液体、气体或粉尘的环境下操作电动工具。** 电动工具产生的火花会点燃粉尘或气体。
- ▶ **让儿童和旁观者离开后操作电动工具。** 注意力不集中会使操作者失去对工具的控制。

电气安全

- ▶ 电动工具插头必须与插座相配。绝不能以任何方式改装插头。需接地的电动工具不能使用任何转换插头。未经改装的插头和相配的插座将减少电击危险。
- ▶ 避免人体接触接地表面，如管道、散热片和冰箱。如果你身体接地会增加电击危险。
- ▶ 不得将电动工具暴露在雨中或潮湿环境中。水进入电动工具将增加电击危险。
- ▶ 不得滥用电线。绝不能用电线搬运、拉动电动工具或拔出其插头。使电线远离热源、油、锐边或运动部件。受损或缠绕的软线会增加电击危险。
- ▶ 当在户外使用电动工具时，使用适合户外使用的外接软线。适合户外使用的软线将减少电击危险。
- ▶ 如果在潮湿环境下操作电动工具是不可避免的，应使用剩余电流动作保护器（RCD）。使用RCD可减小电击危险。

人身安全

- ▶ 保持警觉，当操作电动工具时关注所从事的操作并保持清醒。当你感到疲倦，或在有药物、酒精或治疗反应时，不要操作电动工具。在操作电动工具时瞬间的疏忽会导致严重人身伤害。
- ▶ 使用个人防护装置。始终佩戴护目镜。安全装置，诸如适当条件下使用防尘面具、防滑安全鞋、安全帽、听力防护等装置能减少人身伤害。
- ▶ 防止意外启动。确保开关在连接电源和/或电池盒、拿起或搬运工具时处于关断位置。手指放在已接通电源的开关上或开关处于接通时插入插头可能会导致危险。
- ▶ 在电动工具接通之前，拿掉所有调节钥匙或扳手。遗留在电动工具旋转零件上的扳手或钥匙会导致人身伤害。
- ▶ 手不要伸展得太长。时刻注意立足点和身体平衡。这样在意外情况下能很好地控制电动工具。
- ▶ 着装适当。不要穿宽松衣服或佩戴饰品。让衣服、手套和头发远离运动部件。宽松衣服、配饰或长发可能会卷入运动部件中。
- ▶ 如果提供了与排屑、集尘设备连接用的装置，要确保他们连接完好且使用得当。使用这些装置可减少尘屑引起的危险。
- ▶ 即使由于经常使用电动工具而对此非常熟悉，也不要就认为可以高枕无忧而忽略工具的安全规定。粗心大意的行为可能在瞬间就造成严重的伤害。

电动工具使用和注意事项

- ▶ 不要滥用电动工具，根据用途使用适当的电动工具。选用适当设计的电动工具会使你工作更有效、更安全。
- ▶ 如果开关不能接通或关断工具电源，则不能使用该电动工具。不能用开关来控制的电动工具是危险的且必须进行修理。
- ▶ 在进行任何调节、更换附件或贮存电动工具之前，必须从电源上拔掉插头和/或使电池盒与工具脱离。这种防护性措施将减少工具意外启动的危险。

- ▶ 将闲置不用的电动工具贮存在儿童所及范围之外，并且不要让不熟悉电动工具或对这些说明不了解的人操作电动工具。电动工具在未经培训的用户手中是危险的。
- ▶ 保养电动工具。检查运动件是否调整到位或卡住，检查零件破损情况和影响电动工具运行的其他状况。如有损坏，电动工具应在使用前修理好。许多事故由维护不良的电动工具引发。
- ▶ 保持切削刀具锋利和清洁。保养良好的有锋利切削刃的刀具不易卡住而且容易控制。
- ▶ 按照使用说明书，考虑作业条件和进行的作业来使用电动工具、附件和工具的刀头等。将电动工具用于那些与其用途不符的操作可能会导致危险。
- ▶ 保持手柄和握持表面干燥、清洁、无油污。在突发情况下，滑溜的手柄和握持表面无法确保安全地握持和控制工具。

电池式工具使用和注意事项

- ▶ 只用制造商规定的充电器充电。将适用于某种电池盒的充电器用到其他电池盒时会发生着火危险。
- ▶ 只有在配有专用电池盒的情况下才使用电动工具。使用其他电池盒会发生损坏和着火危险。
- ▶ 当电池盒不用时，将它远离其他金属物体，例如回形针、硬币、钥匙、钉子、螺钉或其他小金属物体，以防一端与另一端连接。电池端部短路会引起燃烧或火灾。
- ▶ 在滥用条件下，液体会从电池中溅出；避免接触。如果意外碰到了，用水冲洗。如果液体碰到了眼睛，还要寻求医疗帮助。从电池中溅出的液体会发生腐蚀或燃烧。
- ▶ 不要使用损坏的或更改过的电池组或工具。损坏或更改过的电池可能导致不可预料的情况发生，有着火、爆炸或受伤的风险。
- ▶ 不要将电池组或工具暴露于火焰或高温情况下。火焰或超过130 °C的温度可能会引起爆炸。
- ▶ 遵守所有充电说明，给电池组或工具充电时不要超出说明中规定的温度范围。错误充电或温度超出规定的范围可能会损坏电池并提高着火的风险。

维修

- ▶ 将你的电动工具送交专业维修人员，使用同样的备件进行修理。这样将确保所维修的电动工具的安全性。
- ▶ 决不能维修损坏的电池包。电池包仅能由生产者或其授权的维修服务商进行维修。

电锤安全规章

- ▶ 戴好耳罩。暴露在噪声中会引起听力损伤。
- ▶ 使用随工具提供的辅助手柄。操作失手会引起人身伤害。
- ▶ 在切削附件可能触及暗线进行操作时，要通过绝缘握持面来握持工具。切削附件碰到带电导线会使工具外露金属零件带电从而使操作者受到电击。

其他安全规章

- ▶ **使用合适的侦测装置侦察隐藏的电线，或者向当地的相关单位寻求支援。** 接触电线可能引起火灾并让操作者触电。损坏了瓦斯管会引起爆炸。如果水管被刺穿了会导致财物损失。
- ▶ **等待电动工具完全静止后才能够放下机器。** 机器上的工具可能在工作中被夹住，而令您无法控制电动工具。
- ▶ **固定好工件。** 使用固定装置或老虎钳固定工件，会比用手持握工件更牢固。
- ▶ **切勿直接接触运行后的工具刀头或相邻的壳体部件。** 它们可能在运行期间变得很热，从而导致起火燃烧。
- ▶ **使用凿头进行破碎工作时请务必小心。** 从破碎材料上掉落的碎屑可能会伤到周围人员或您自己。
- ▶ **如果充电电池损坏或者未按照规定使用，充电电池中会散发出有毒蒸汽。充电电池可能会燃烧或爆炸。** 工作场所必须保持空气流通，如果身体有任何不适必须马上就医。蒸汽会刺激呼吸道。
- ▶ **切勿打开充电电池。** 可能造成短路。
- ▶ **钉子、螺丝刀等尖锐物品或外力作用可能会损坏充电电池。** 有可能出现内部短路、蓄电池燃烧、发出烟雾、爆炸或过热。
- ▶ **仅在制造商的产品中使用充电电池。** 这样才能确保充电电池不会过载。



保护充电电池免受高温（例如长期阳光照射）、火焰、脏污、水和湿气的侵害。 有爆炸和短路的危险。



- ▶ **工作时需要使用双手握紧电动工具并确保站稳。** 用双手才能够稳定地操作电动工具。

图标

以下符号可以帮助您正确地使用本电动工具。请牢记各符号和它们的代表意思。正确了解各符号的代表意思，可以帮助您更有把握更安全地操作本电动工具。

图标及其含义



如需更换工具刀头，将锁定套筒向后拉。



如需更改凿头位置，向前移动并旋转凿头调节环。



产品和性能说明



请阅读所有安全规章和指示。 不遵照以下警告和说明可能导致电击、着火和/或严重伤害。

请注意本使用说明书开头部分的图示。

按照规定使用

本电动工具适合在混凝土、砖头、石材和沥青上凿削，安装合适的附件后，也可以进行挤压和捣实作业。

插图上的机件

机件的编号和电动工具详解图上的编号一致。

- (1) 防尘盖
- (2) 锁定套筒
- (3) 凿头调节环 (Vario-Lock)
- (4) 减震装置
- (5) 起停开关的锁定按钮
- (6) 手柄 (绝缘握柄)
- (7) 起停开关
- (8) 充电电池^{a)}
- (9) 辅助手柄 (绝缘握柄)
- (10) 工作灯
- (11) 充电电池的解锁按钮^{a)}
- (12) 用户界面
- (13) 电动工具状态指示灯 (用户界面)
- (14) 温度指示灯 (用户界面)
- (15) 100%工作模式指示灯 (用户界面)
- (16) 工作模式选择键 (用户界面)
- (17) 70%工作模式指示灯 (用户界面)
- (18) 充电电池电量显示 (用户界面)
- (19) 针对辅助手柄的滚轮螺母

a) 该附件并不包含在基本的供货范围内。

技术数据

无绳电锤		GSH 18V-5
物品代码		3 611 J18 2..
额定电压	伏特=	18
冲击次数 ^{A)}	次/分钟	3050
工具夹头		SDS max
重量 ^{B)}	公斤	5.6–6.6
充电时建议的环境温度	摄氏度	0至+35
工作时和存放时允许的环境温度 ^{C)}	摄氏度	-20至+50
兼容的充电电池		GBA 18V... ProCORE18V...
推荐的确保全功率的充电电池		ProCORE18V... ≥ 5.5 Ah

无绳电锤	GSH 18V-5
推荐的充电器	GAL 18... GAX 18... GAL 36...

- A) 在20–25摄氏度的条件下带充电电池ProCORE18V 12.0Ah测得
B) 视所使用的充电电池而定
C) 温度<0摄氏度时功率受限
数值可能因不同产品而异，并且受到应用和环境条件影响。
更多信息请参见www.bosch-professional.com/wac。

充电电池

Bosch也销售不带充电电池的充电式电动工具。您可以在包装上查看电动工具的供货范围内是否包含充电电池。

为充电电池充电

- ▶ 请只使用在技术参数中列出的充电器。只有这些充电器才适用于本电动工具上的锂离子电池。

提示：鉴于国际运输规定，锂离子充电电池在交货时只完成部分充电。首度使用电动工具之前，必须先充足充电电池的电量以确保充电电池的功率。

安装充电电池

将充好电的充电电池推入电池座，直到嵌入。



取出充电电池

如需取下充电电池，则请按压解锁按钮，然后拔出充电电池。**在此过程中请勿过度用力。**

充电电池具备双重锁定功能，即使不小心触动了充电电池的解锁按钮，充电电池也不会从机器中掉落下来。只要充电电池安装在电动工具中，就会被弹簧固定在其位置上。

充电电池电量指示灯

提示：并非每种充电电池型号均具备电量指示灯。充电电池电量指示灯的绿色LED灯显示充电电池的电量。基于安全原因，只能在电动工具静止时检查充电电池的电量。

按压充电电量指示灯按键或，来显示充电电量。也可以在充电电池取下时操作。

如果按压充电电量指示灯按键后没有LED灯亮起，则说明充电电池损坏，必须进行更换。

用户界面上也会显示充电电池的电量(参见“用户界面”，页45)。

充电电池型号GBA 18V...



LED	电量
3个绿灯长亮	60–100 %
2个绿灯长亮	30–60 %
1个绿灯长亮	5–30 %
1个绿灯闪烁	0–5 %

充电电池型号ProCORE18V...



LED	电量
5个绿灯长亮	80–100 %
4个绿灯长亮	60–80 %
3个绿灯长亮	40–60 %
2个绿灯长亮	20–40 %
1个绿灯长亮	5–20 %
1个绿灯闪烁	0–5 %

如何正确地使用充电电池

保护充电电池，避免湿气和水分渗入。

充电电池必须储存在–20 °C至50 °C的环境中。夏天不得将充电电池搁置在汽车中。

不时地使用柔软、清洁而且干燥的毛刷清洁充电电池的通气孔。

充电后如果充电电池的使用时间明显缩短，代表充电电池已经损坏，必须更换新的充电电池。

请注意有关作废处理的规定。

安装

- ▶ 对电动工具执行任何操作（比如保养、更换工具等）前需将充电电池从电动工具中取出。意外操作起停开关可能会造成伤害。

辅助手柄（参见插图A）

- ▶ 操作电动工具时务必使用辅助手柄(9)。

可以任意翻转和/或移动辅助手柄(9)，由此可在工作中采用安全且不易疲劳的姿势。

- 松开滚花螺母(19)，将辅助手柄(9)翻动和/或移动到至所需位置，然后再次拧紧滚花螺母(19)。

更换工具

使用SDS max工具夹头，能够简便地更换工具刀头，无需借助其它的工具。

防尘盖(1)可在很大程度上防止工作时灰尘进入工具夹头中。插入工具时请注意不要损坏防尘盖(1)。

- ▶ 必须立即更换损坏的防尘盖。最好委托本公司的顾客服务处换装。

安装工具刀头（见图片B）

- 清洁工具柄并在柄上涂少许润滑脂。
- 向后推动锁定套筒(2)并将工具刀头旋入工具夹头。再次松开锁定套筒(2)，以便锁住工具刀头。
- 抽拉工具以确定它是否正确锁紧了。

取下工具刀头（见图片C）

- 向后推动锁定套筒(2)，取下工具刀头。

操作

- ▶ 对电动工具执行任何操作（比如保养、更换刀具等）前需将充电电池从电动工具中取出。意外操作起停开关可能会造成伤害。

操作机器

启动/关闭

- 按压起停开关(7)来调试电动工具并按住。
- 按压锁定键(5)来锁定被按住的起停开关(7)。
- 如需关闭电动工具，请松开起停开关(7)，如果其已被锁定键(5)锁住，请短促按压起停开关(7)，然后再松开。

温度低时，电动工具在工作一定时间后才能达到全部冲击功率。

开机锁

- ▶ 电动工具配备有开机锁，以防意外开机。

激活开机锁：

- 在关闭状态下按压锁定按钮(5)。
- 由此锁止起停开关(7)并防止意外开机。

用户界面

用户界面(12)用于选择工作模式以及显示电动工具的状态。

状态指示灯

电动工具状态显示(13)	含义	解决方案
-	电动工具已关闭	-
绿色	电动工具已接通并已准备就绪	-
黄色	已达到临界温度或充电电池的电量几乎耗尽	让电动工具空转、冷却或尽快更换充电电池或为其充电
红色	电动工具过热或充电电池电量耗尽	让电动工具冷却或更换充电电池或为其充电
	充电电池电量过低	给充电电池充电或使用推荐的充电电池类型
	一般故障	- 关闭电动工具并再次接通或取出充电电池并再次装入 如果故障依旧存在： - 将电动工具寄给客户服务部门

充电电池电量指示灯（用户界面）(18)	含义/原因	解决方案
绿色（2至5格）	充电电池已充电	-
黄色（1格）	充电电池的电量几乎耗尽	尽快更换充电电池或为其充电
红色（1格）	充电电池的电量用尽了	更换充电电池或为其充电

温度显示(14)	含义/原因	解决方案
黄色	充电电池或电动工具的工作温度明显提高，功率因此降低	让电动工具冷却或更换过热的充电电池
红色	超出充电电池或电动工具的工作温度，电动工具出于自我保护机制自动关闭	让电动工具冷却或更换过热的充电电池

停用开机锁：

- 按压已锁止的锁定按钮(5)。
- 由此解锁起停开关(7)，然后可以运行电动工具。

工作灯

轻按或是把电源开关(7)按到底时，工作灯(10)会亮起，在照明状况不佳的环境中可以借此照亮工作区域。

调整冲击次数

可以无级调节已接通电动工具的冲击次数，视按压起停开关(7)的力道程度决定。

以较小的力按压起停开关(7)时，冲击次数较低。逐渐在开关上加压，冲击次数也会跟着提高。

改变凿削位置 (Vario-Lock)（参见插图D）

您可以将凿头锁定在12位置。如此可确保最佳的工作姿势。

- 把凿头装入工具夹头中。
- 将凿头调节环(3)向前推，然后通过凿头调节环(3)将凿头旋入所需位置。
- 松开凿头调节环(3)，转动凿头直至其卡止。

选择工作模式

在选择工作模式时，反复按压键(16)，直到所需的工作模式亮起为止。

功能	
100%工作模式指示灯 (15)	100%工作模式 (通过Adaptive Speed Control均调起动) : 受控加速，直到达到最大功率 较短的电池运行时间
70%工作模式指示灯(17)	70%工作模式 (通过Adaptive Speed Control均调起动) : 受控加速，直到达到较低的功率，以便加工敏感材料； 较长的电池运行时间

工作提示

磨利凿具

使用锋利的凿具才能够达到好的工作效果，务必及时研磨凿具，如此才能够延长凿具的使用寿命，加强工作效果。

重磨

在磨片（例如白刚玉）上研磨凿具，并使用均匀的水流冲刷。注意，刀刃上不可以出现回火色；如此会影响凿具的硬度。

锻造时，将凿子加热至850至1050 摄氏度（浅红色至黄色）。

硬化时，将凿子加热至约900 摄氏度，然后浸入油中淬火。接着将其放到320 摄氏度的烤箱中约一小时（浅蓝色回火色）。

电子转速控制 (Adaptive Speed Control)



为实现更好的控制和精确安放，电动工具以低转速启动，然后提高到所设定的转速。

如果凿头在使用期间与工作区域发生接触，则自动启动电子转速控制。

如果将凿头从工作区域中移除，则延时降低转速。

减震装置



Vibration Control 内置减震装置可减轻出现的振动。

► 如果减震装置损坏了，勿继续使用电动工具。

维修和服务

维修和清洁

- 对电动工具执行任何操作（比如保养、更换刀具等）前需将充电电池从电动工具中取出。意外操作起停开关可能会造成伤害。
- 电动工具和通气孔必须随时保持清洁，以确保工作效率和工作安全。
- 必须立即更换损坏的防尘盖。最好委托本公司的顾客服务处换装。

润滑电动工具

电动工具已用油脂润滑，可立即使用。

更换润滑油脂只能在维护或修理机器时进行，而且必须交给经过授权的博世电动工具顾客服务中心执行。只能使用针对本机器的博世润滑油脂。

客户服务和应用咨询

本公司顾客服务处负责回答有关本公司产品的修理、维护和备件的问题。备件的展开图纸和信息也可查看：www.bosch-pt.com

博世应用咨询团队乐于就我们的产品及其附件问题提供帮助。

询问和订购备件时，务必提供机器铭牌上标示的10位数字物品代码。

中国大陆

博世电动工具（中国）有限公司

中国 浙江省 杭州市

滨江区 滨康路567号

102/1F 服务中心

邮政编码：310052

电话：(0571)8887 5566 / 5588

传真：(0571)8887 6688 x 5566# / 5588#

电邮：bsc.hz@cn.bosch.com

www.bosch-pt.com.cn

制造商地址：

Robert Bosch Power Tools GmbH

罗伯特·博世电动工具有限公司

70538 Stuttgart / GERMANY

70538 斯图加特 / 德国

其他服务地址请见：

www.bosch-pt.com/serviceaddresses

搬运

所推荐的锂离子充电电池必须符合危险物品法规。使用者无须另外使用保护包装便可以运送该充电电池。

但是如果将它交由第三者运送（例如：寄空运或委托运输公司）则要使用特殊的包装和标示。此时必须向危险物品专家请教有关寄送危险物品的相关事宜。

确定充电电池的外壳未受损后，才可以寄送充电电池。粘好未加盖的触点并包装好充电电池，不可以让充电电池在包装中晃动。必要时也得注意各国有关的法规。

处理废弃物



必须以符合环保的方式，回收再利用损坏的电动工具、充电电池、附件和废弃的包装材料。



不可以把電動工具和充電電池/蓄電池丟入一般的家庭垃圾中！

充電電池/電池：

鋰離子：

請注意“搬運”段落中的指示（參見“搬運”，頁 46）確認設置。

繁體中文

安全注意事項

電動工具一般安全注意事項

警告

請詳讀工作臺及電動工具的所有安全警告與使用說明。若不

遵照以下列出的指示，將可能導致電擊、著火和/或人員重傷。

保存所有警告和說明書以備查閱。

在所有警告中，「電動工具」此一名詞泛指：以市電驅動的（有線）電動工具或是以電池驅動的（無線）電動工具。

工作場地的安全

- ▶ 保持工作場地清潔和明亮。混亂和黑暗的場地會引發事故。
- ▶ 不要在易爆環境，如有易燃液體、氣體或粉塵的環境下操作電動工具。電動工具產生的火花會點燃粉塵或氣體。
- ▶ 讓兒童和旁觀者離開後操作電動工具。注意力不集中會使您失去對工具的控制。

電氣安全

- ▶ 電動工具插頭必須與插座相配。絕不能以任何方式改裝插頭。需接地的電動工具不能使用任何轉換插頭。未經改裝的插頭和相配的插座將減少電擊危險。
- ▶ 避免人體接觸接地表面，如管道、散熱片和冰箱。如果您身體接地會增加電擊危險。
- ▶ 不得將電動工具暴露在雨中或潮濕環境中。水進入電動工具將增加電擊危險。
- ▶ 不得濫用電線。絕不能用電線搬運、拉動電動工具或拔出其插頭。使電線遠離熱源、油、銳利邊緣或移動零件。受損或纏繞的軟線會增加電擊危險。
- ▶ 當在戶外使用電動工具時，使用適合戶外使用的延長線。適合戶外使用的軟線，將減少電擊危險。
- ▶ 如果在潮濕環境下操作電動工具是不可避免的，應使用剩餘電流動作保護器（RCD）。使用RCD可降低電擊危險。

人身安全

- ▶ 保持警覺，當操作電動工具時關注所從事的操作並保持清醒。當您感到疲倦，或在有藥物、酒精或治療反應時，不要操作電動工具。在操作電動工具時瞬間的疏忽會導致嚴重人身傷害。
- ▶ 使用個人防護裝置。始終佩戴護目鏡。安全裝置，諸如適當條件下使用防塵面具、防滑安全鞋、安全帽、聽力防護等裝置能減少人身傷害。
- ▶ 防止意外起動。確保開關在連接電源和/或電池盒、拿起或搬運工具時處於關閉位置。手指放在已接通電源的開關上或開關處於接通時插入插頭可能會導致危險。
- ▶ 在電動工具接通之前，拿掉所有調節鑰匙或扳手。遺留在電動工具旋轉零件上的扳手或鑰匙會導致人身傷害。
- ▶ 手不要伸展得太長。時刻注意立足點和身體平衡。這樣在意外情況下能很好地控制電動工具。
- ▶ 著裝適當。不要穿寬鬆衣服或佩戴飾品。讓您的衣物及頭髮遠離運動部件。寬鬆衣服、佩戴或長髮可能會捲入運動部件中。
- ▶ 如果提供了與排屑、集塵設備連接用的裝置，要確保他們連接完好且使用得當。使用這些裝置可減少塵屑引起的危險。
- ▶ 切勿因經常使用工具所累積的熟練感而過度自信，輕忽工具的安全守則。任何一個魯莽的舉動都可能瞬間造成人員重傷。

電動工具使用和注意事項

- ▶ 不要濫用電動工具，根據用途使用適當的電動工具。選用適當設計的電動工具會使您工作更有效、更安全。
- ▶ 如果開關不能開啟或關閉工具電源，則不能使用該電動工具。不能用開關來控制的電動工具是危險的且必須進行修理。
- ▶ 在進行任何調整、更換配件或貯存電動工具之前，必須從電源上拔掉插頭並/或取出電池盒。這種防護性措施將減少工具意外起動的危險。
- ▶ 將閒置不用的電動工具貯存在兒童所及範圍之外，並且不要讓不熟悉電動工具或對這些說明不瞭解的人操作電動工具。電動工具在未經培訓的用戶手中是危險的。
- ▶ 保養電動工具與配備。檢查運動件是否調整到位或卡住，檢查零件破損情況和影響電動工具運行的其他狀況。如有損壞，電動工具應在使用前修理好。許多事故由維護不良的電動工具引發。
- ▶ 保持切削刀具鋒利和清潔。保養良好的有鋒利切削刃的刀具不易卡住而且容易控制。
- ▶ 按照使用說明書，考慮作業條件和進行的作業來使用電動工具、配件和工具的刀頭等。將電動工具用於那些與其用途不符的操作可能會導致危險。
- ▶ 把手及握持區應保持乾燥、潔淨，且不得沾染任何油液或油脂。易滑脫的把手及握持區將無法讓您在發生意外狀況時安全地抓緊並控制工具。

電池式工具使用和注意事項

- ▶ 只用製造商規定的充電器充電。將適用於某種電池盒的充電器用到其他電池盒時會發生著火危險。
- ▶ 只有在配有專用電池盒的情況下才使用電動工具。使用其他電池盒會發生損壞和著火危險。
- ▶ 當電池盒不用時，將它遠離其他金屬物體，例如回形針、硬幣、鑰匙、釘子、螺絲或其他小金屬物體，以防一端與另一端連接。電池端部短路會引起燃燒或火災。
- ▶ 在濫用條件下，液體會從電池中濺出；避免接觸。如果意外碰到了，用水沖洗。如果液體碰到了眼睛，還要尋求醫療幫助。從電池中濺出的液體會發生腐蝕或燃燒。
- ▶ 請勿使用已受損或經改裝的電池盒。已受損或經改裝的電池組可能出現無法預期的反應，進而導致著火、爆炸或造成人員受傷。
- ▶ 勿讓電池盒或工具靠近火源或暴露於異常溫度環境中。若是靠近火源或暴露在超過130 °C的環境中可能造成爆炸。
- ▶ 請完全遵照所有的充電說明，電池盒或工具的温度若是超出指示的規定範圍，請勿進行充電。不當充電或是未在規定的溫度範圍內進行充電，皆可能造成電池損壞並面臨更高的著火風險。

檢修

- ▶ 將您的電動工具送交專業維修人員，必須使用同樣的備件進行更換。這樣將確保所維修的電動工具的安全性。
- ▶ 請勿自行檢修受損的電池盒。電池組應交由製造商或是獲得授權的服務供應商來進行檢修。

電錘的安全注意事項

所有作業的安全說明

- ▶ 請戴上耳罩。暴露在噪音下會造成聽力喪失。
- ▶ 請使用工具的輔助把手（若有配備）。失去控制可能會造成人員受傷。
- ▶ 進行作業時，負責進行切割的配件可能會碰觸到隱藏的配線，請從絕緣握把處拿持電動工具。負責進行切割的配件若是觸及「導電」電線，可能導致電動工具外露的金屬部件「導電」，進而使操作人員遭受電擊。

其他安全注意事項

- ▶ 使用合適的偵測裝置偵察隱藏的電線，或者向當地的相關單位尋求支援。接觸電線可能引起火災並讓操作者觸電。若損壞瓦斯管會引起爆炸。如果水管被刺穿會導致財物損失。
- ▶ 必須等待電動工具完全靜止後才能將它放下。嵌件工具可能卡住而使電動工具失控。
- ▶ 固定好工件。使用固定裝置或老虎鉗固定工件，會比用手持握工件更牢固。
- ▶ 操作後不久不要接觸任何嵌件工具或鄰近的外殼部件。這些在操作過程中會變得非常灼熱並導致燙傷。
- ▶ 使用鑿子進行拆除工作時請小心。拆除材料的掉落碎片可能會傷害旁人或您自己。

- ▶ 如果充電電池損壞了，或者未按照規定使用充電電池，充電電池中會散發出有毒蒸氣。充電電池可能起火或爆炸。工作場所必須保持空氣流通，如果身體有任何不適必須馬上就醫。充電電池散發的蒸氣會刺激呼吸道。
- ▶ 切勿拆開充電電池。可能造成短路。
- ▶ 尖銳物品（例如釘子或螺絲起子）或是外力皆有可能造成充電電池損壞。進而導致內部短路而發生電池起火、冒煙、爆炸或過熱等事故。
- ▶ 僅可在製造商的產品中使用充電電池。如此才可提供過載保護。



保護充電電池免受高溫（例如長期日照）、火焰、污垢、水液和濕氣的侵害。有爆炸及短路之虞。



- ▶ 作業期間請用雙手牢牢握緊電動工具並保持穩固。使用雙手才能夠更穩定地操作電動工具。

符號

以下符號可以幫助您正確地使用本電動工具。請牢記各符號和它們的代表意義。正確了解各符號代表的意義，可以幫助您更有把握更安全地操作本電動工具。

符號和它們的代表意義



如需更換嵌件工具，請將鎖定套筒向後拉。



如需改變鑿頭位置，請往前推並轉動鑿頭位置設定環。

產品和功率描述



請詳讀所有安全注意事項和指示。如未遵守安全注意事項與指示，可能導致火災、人員遭受電擊及 / 或重傷。
請留意操作說明書中最前面的圖示。

依規定使用機器

本機器適合在混凝土、磚頭、石材和瀝青上進行挖鑿。搭配合適的配件後，也可以用來進行擠壓和搗實作業。

插圖上的機件

機件的編號和電動工具詳解圖上的編號一致。

- (1) 防塵蓋
- (2) 鎖定套筒
- (3) 鑿頭位置設定環 (Vario-Lock)

- (4) 減震裝置
- (5) 起停開關鎖止按鈕
- (6) 把手（絕緣握柄）
- (7) 起停開關
- (8) 充電電池^{a)}
- (9) 輔助手柄（絕緣握柄）
- (10) 工作燈
- (11) 充電電池解鎖按鈕^{a)}
- (12) 使用者介面
- (13) 電動工具狀態指示器（使用者介面）
- (14) 溫度指示器（使用者介面）
- (15) 100% 工作模式指示器（使用者介面）
- (16) 工作模式選擇鈕（使用者介面）
- (17) 70% 工作模式指示器（使用者介面）
- (18) 充電電池的電量指示器（使用者介面）
- (19) 輔助手柄的滾花螺母

a) 所述之配件並不包含在基本的供貨範圍中。

技術性數據

充電式鎚鑽	GSH 18V-5	
產品機號		3 611 J18 2..
額定電壓	V=	18
衝擊次數 ^{A)}	min ⁻¹	3050
工具夾頭		SDS max
重量 ^{B)}	kg	5.6–6.6
充電狀態下的建議環境溫度	°C	0 ... +35
操作狀態下的容許環境溫度 ^{C)} 以及存放狀態下	°C	-20 ... +50
相容的充電電池		GBA 18V... ProCORE18V...
為確保最大效能而建議使用的充電電池		ProCORE18V... ≥ 5.5 Ah
建議使用的充電器		GAL 18... GAX 18... GAL 36...

A) 於 20–25 °C 配備充電電池 ProCORE18V 12.0Ah 時測得。

B) 視所使用的充電蓄電池而定

C) 溫度 <0 °C 時，性能受限

數值可能因產品而異，並受使用條件以及環境條件影響。進一步資訊請見 www.bosch-professional.com/wac。

充電電池

Bosch 亦販售不含充電電池的充電式電動工具。可以從外包裝看出電動工具的供貨範圍是否包括電池。

為充電電池進行充電

► **只能選用技術性數據裡所列出的充電器。**僅有這些充電器適用於電動工具所使用的鋰離子充電電池。

提示：由於國際運輸規定，出貨時鋰離子充電電池已部分充電。初次使用電動工具之前，請先將充電電池充飽電以確保充電電池蓄滿電力。

安裝充電電池

將已充飽電的充電電池推至充電電池固定座內，直到卡緊。

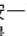

取出充電電池

若要取出充電電池，請按解鎖鈕，然後將充電電池抽出。**不可以強行拉出充電電池。**

本充電電池具備了雙重鎖定功能，即使不小心按壓了充電電池解鎖按鈕，充電電池也不會從機器中掉落出來。固定彈簧會把充電電池夾緊在機器中。

充電電池的電量指示器

提示：並非所有的充電電池類型都有電量指示器。充電電池的電量指示器透過綠色 LED 燈告知充電電池的目前電量。基於安全顧慮，務必在電動工具完全靜止時才能檢查充電電池的電量。

按一下電量指示器按鈕  或 , 即可顯示目前的電量。即使已取出充電電池，此項功能仍可正常運作。

按壓電量顯示按鈕後，LED 燈若未亮起，即表示充電電池故障，必須予以更換。

充電電池目前的電量也會顯示在使用者介面（參見「使用者介面」，頁 50）。

充電電池型號 GBA 18V...



LED	容量
3 顆綠燈持續亮起	60–100 %
2 顆綠燈持續亮起	30–60 %
1 顆綠燈持續亮起	5–30 %
1 顆綠燈呈閃爍狀態	0–5 %

充電電池型號 ProCORE18V...



LED	容量
5 顆綠燈持續亮起	80–100 %
4 顆綠燈持續亮起	60–80 %
3 顆綠燈持續亮起	40–60 %
2 顆綠燈持續亮起	20–40 %
1 顆綠燈持續亮起	5–20 %
1 顆綠燈呈閃爍狀態	0–5 %

如何正確地使用充電電池

妥善保護充電電池，避免濕氣和水分滲入。

充電電池必須儲存在 -20 °C 至 50 °C 的環境中。

夏天不可以把充電電池擱置在汽車中。

偶爾用柔軟、乾淨且乾燥的毛刷清潔充電電池的通氣孔。

充電後如果充電電池的使用時間明顯縮短，代表充電電池已經損壞，必須更換新的充電電池。

請您遵照廢棄物處理相關指示。

安裝

- ▶ 在電動工具上進行任何作業之前（例如維修，更換工具等等），請將機器中的電池取出。若是不小心觸動起停開關，可能造成人員受傷。

輔助手柄（請參考圖 A）

- ▶ 操作電動工具時務必使用輔助手柄(9)。

輔助手柄 (9) 可隨意翻轉和 / 或推動，以便採取一個穩固而不容易感到疲勞的工作姿勢。

- 鬆開滾花螺母 (19)，將輔助手柄 (9) 轉至或推至所需位置，然後再將滾花螺母 (19) 重新旋緊。

更換工具

使用 SDS max 工具夾頭，能夠簡便地更換嵌件工具，無需借助其它輔助工具。

防塵蓋 (1) 可防止操作時所產生的大部份粉塵侵入工具夾頭。安裝工具時要小心，請勿損壞防塵蓋 (1)。

- ▶ 防塵蓋若有受損，應立即更換。最好委托本公司的顧客服務處換裝。

安裝嵌件工具（請參考圖 B）

- 清潔嵌件工具的插入端並且塗少許潤滑油脂。
- 將鎖定套筒 (2) 往後推，然後將嵌件工具轉進刀具承座中。放開鎖定套筒 (2) 即可固定住嵌件工具的位置。
- 拉動工具以確認它是否已正確鎖緊。

取出嵌件工具（請參考圖 C）

- 將鎖定套筒 (2) 往後推，接著便可將嵌件工具取出。

使用者介面

使用者介面 (12) 可用來選擇工作模式以及示意電動工具的目前狀態。

顯示目前狀態

電動工具狀態指示器 (13) 含義	解決辦法	
-	電動工具已關閉	-
綠色	電動工具已啟動且準備就緒	-

操作

- ▶ 在電動工具上進行任何作業之前（例如維修，更換工具等等），請將機器中的電池取出。若是不小心觸動起停開關，可能造成人員受傷。

操作機器

啟動 / 關閉

- 按下電源開關 (7) 不要放開，即可讓電動工具持續運轉。
- 若要讓電源開關 (7) 保持在壓下狀態，請按壓鎖定鍵 (5)。
- 若要關閉電動工具，請直接放開電源開關 (7) 即可，或者您若有使用鎖止按鍵 (5)，則請在電源開關 (7) 上短按一下後放開。

溫度較低時，電動工具需要經過一段時間，衝擊性能才會達到最大功率。

安全鎖

- ▶ 為防止意外啟動，本電動工具配備有作動安全鎖。

啟用作動安全鎖：

- 在關機情況下按下鎖止按鍵 (5)。
如此起停開關 (7) 便會鎖住，並可防止意外啟動。

停用作動安全鎖：

- 按下鎖定的鎖止按鍵 (5)。
如此起停開關 (7) 便會解鎖，電動工具即可操作。

工作燈

輕按起停開關 (7) 或完全按下時，工作燈 (10) 隨即亮起，可照亮光線不足的工作區域。

調整衝擊次數

您可為已啟動的電動工具無段調控衝擊次數，衝擊次數是由按壓起停開關 (7) 深度而定。

輕按起停開關 (7) 時，衝擊次數較低。隨著施加壓力增加，衝擊次數也會提高。

改變鑿頭位置 (Vario-Lock)（請參考圖 D）

鑿頭可固定在 12 個不同的位置上。藉此，您可採取最佳的工作姿勢。

- 把鑿頭插進工具夾座中。
- 將鑿頭位置設定環 (3) 往前推，然後利用鑿頭位置設定環 (3) 將鑿頭旋轉至所需位置。
- 放開鑿頭位置設定環 (3) 並將鑿頭旋轉至卡緊為止。

電動工具狀態指示器 (13) 含義		解決辦法
黃色	已達到臨界溫度或充電電池的電量即將用盡	讓電動工具空轉並降溫冷卻，或是儘快更換充電電池 / 為其充電
紅色	電動工具過熱或充電電池的電量耗盡	讓電動工具降溫冷卻，或是更換充電電池 / 為其充電
	充電電池電力不足	為充電電池充電或使用建議的充電電池
	一般性的錯誤	- 將電動工具關閉然後重新開啟，或取下充電電池再重新裝入 如仍繼續發生錯誤： - 將電動工具送交顧客服務處

充電電池的電量指示器 (使用者介面) (18)	代表意義 / 原因	解決辦法
綠色 (2 至 5 格)	仍有足夠電力	-
黃色 (1 格)	充電電池的電量即將用盡	儘快更換充電電池或為其充電
紅色 (1 格)	充電電池的電量耗盡	更換充電電池或為其充電

溫度指示器 (14)	代表意義 / 原因	解決辦法
黃色	充電電池或電動工具的操作溫度明顯提高，但功率下降	讓電動工具降溫冷卻或更換過熱的充電電池
紅色	已超過充電電池或電動工具的操作溫度，將關閉以保護電動工具	讓電動工具降溫冷卻或更換過熱的充電電池

選擇工作模式

反覆按壓工作模式選擇鈕 (16)，直到出現您想使用的工作模式。

功能	
100% 工作模式指示器 (15)	100% 工作模式 (搭配 Adaptive Speed Control 緩速啟動) : 適度可控地加速至最大功率 較短的電池運作時間
70% 工作模式指示器 (17)	70% 工作模式 (搭配 Adaptive Speed Control 緩速啟動) : 適度可控地加速至降低的功率以加工脆弱材料 較長的電池運作時間

作業注意事項

磨利鑿具

使用鋒利的鑿具才能達到良好的加工效果，請務必及時研磨鑿具，如此才能夠延長鑿具的使用壽命，並確保加工效果良好。

重新打磨

在砂輪片 (例如白剛玉) 上研磨鑿具，並使用均勻的水流沖刷。注意，刀刃上不可以出現回火色；如此會影響鑿具的硬度。

進行**鍛造加工**時，請將鑿刀加熱至 850 至 1050 °C (呈現淺紅色至黃色)。

進行**淬硬處理**時，請將鑿刀加熱至 900 °C 左右並將其放入油液中淬火。接著再將其放入火爐內以 320 °C 退火一小時 (回火至淺藍色)。

電子式轉速調控功能 (Adaptive Speed Control)



本電動工具是以低轉速啟動，然後再提升至設定的轉速，方便您掌控並精準對位。

當鑿具在使用期間接觸到工作區域時，電子式轉速調控功能便會自動啟動。

當鑿具遠離工作區域時，轉速便會在一段時間後降低。

減震裝置



Vibration Control 內建減震裝置，可減緩震動。

▶ 如果減震裝備損壞了，勿繼續使用電動工具。

維修和服務

維修和清潔

- ▶ 在電動工具上進行任何作業之前（例如維修，更換工具等等），請將機器中的電池取出。若是不小心觸動起停開關，可能造成人員受傷。
- ▶ 電動工具和通風口都必須保持清潔，這樣才能夠提高工作品質和安全性。
- ▶ 防塵蓋若有受損，應立即更換。最好委託本公司的顧客服務處換裝。

潤滑電動工具

本電動工具出貨時已上油潤滑，可立即使用。只能在維護或修理機器時更換潤滑油脂，而且此項工作必須交由經過授權的博世電動工具顧客服務中心執行。只能使用指定的博世潤滑油脂。

顧客服務處和顧客諮詢中心

本公司顧客服務處負責回答有關本公司產品的維修、維護和備用零件的問題。以下的網頁中有分解圖和備用零件相關資料：www.bosch-pt.com 如果對本公司產品及其配件有任何疑問，博世應用諮詢小組很樂意為您提供協助。當您需要諮詢或訂購備用零件時，請務必提供本產品型號銘牌上 10 位數的產品機號。

台灣進口商

台灣羅伯特博世股份有限公司
建國北路一段90號6樓
台北市10491
電話：(02) 7734 2588
傳真：(02) 2516 1176
www.bosch-pt.com.tw

製造商地址：

Robert Bosch Power Tools GmbH
羅伯特·博世電動工具有限公司
70538 Stuttgart / GERMANY
70538 斯圖加特/德國

以下更多客戶服務處地址：

www.bosch-pt.com/serviceaddresses

搬運

建議使用的鋰離子充電電池受危險物品法的規範。使用者無須另外使用保護包裝便可運送該充電電池。

但是如果將它交由第三者運送（例如：寄空運或委託運輸公司），則應遵照包裝與標示的相關要求。此時必須向危險物品專家請教有關寄送危險物品的相關事宜。

確定充電電池的外殼未受損後，才可以寄送充電電池。用膠帶貼住裸露的接點並妥善包裝充電電池，不可以讓充電電池在包裝材料中晃動。同時也應留意各國相關法規。

廢棄物處理



必須以符合環保的方式，將損壞的電動工具、充電電池、配件和包裝材料進行回收再利用。



不可以把電動工具和充電電池 / 拋棄式電池丟入一般家庭垃圾中！

充電電池 / 拋棄式電池：

鋰離子：

請注意「搬運」段落中的指示（參見「搬運」，頁 52）。

ไทย

กฎระเบียบเพื่อความปลอดภัย

คำเตือนเพื่อความปลอดภัยทั่วไปสำหรับเครื่องมือไฟฟ้า

คำเตือน อ่านคำเตือนเพื่อความปลอดภัย คำแนะนำ ภาพประกอบ และข้อมูล

จำเพาะทั้งหมดที่จัดส่งมาพร้อมกับเครื่องมือไฟฟ้า การไม่ปฏิบัติตามคำแนะนำทั้งหมดที่ระบุไว้ด้านล่างนี้อาจทำให้ถูกไฟฟ้าดูด เกิดไฟไหม้ และ/หรือได้รับบาดเจ็บอย่างร้ายแรง

เก็บรักษาคำเตือนและคำสั่งทั้งหมดสำหรับเปิดอ่านในภายหลัง

คำว่า "เครื่องมือไฟฟ้า" ในคำเตือนหมายถึง เครื่องมือไฟฟ้าของท่านที่ทำงานด้วยพลังงานไฟฟ้าจากแหล่งจ่ายไฟหลัก (มีสายไฟฟ้า) และเครื่องมือไฟฟ้าที่ทำงานด้วยพลังงานไฟฟ้าจากแบตเตอรี่ (ไร้สาย)

ความปลอดภัยในสถานที่ทำงาน

- ▶ รักษาสถานที่ทำงานให้สะอาดและมีไฟส่องสว่างดี สถานที่ที่มีมืดหรือรกรุงรังนำมาซึ่งอุบัติเหตุ
- ▶ อย่าใช้เครื่องมือไฟฟ้าทำงานในสภาพบรรยากาศที่จุดติดไฟได้ เช่น ในที่มีมีของเหลวไวไฟ ก๊าซ หรือฝุ่น เมื่อใช้เครื่องมือไฟฟ้าจะเกิดประกายไฟซึ่งอาจจุดฝุ่นหรือไอให้ลุกเป็นไฟได้
- ▶ ขณะใช้เครื่องมือไฟฟ้าทำงาน ต้องก้มตัวและผู้นวดให้ถูกต้อง การหันเหความสนใจอาจทำให้ท่านขาดการควบคุมเครื่องไป

ความปลอดภัยเกี่ยวกับไฟฟ้า

- ▶ ปลั๊กของเครื่องมือไฟฟ้าต้องเหมาะสมพอดีกับเต้าเสียบ อย่าดัดแปลงปลั๊กไม่ว่าในลักษณะใดๆ อย่างเด็ดขาด อย่าใช้ปลั๊กพ่วงต่อใดๆ กับเครื่องมือไฟฟ้าที่มีสายดิน

ปลั๊กที่ไม่ได้แปลงและเต้าเสียบที่เข้ากันช่วยลดความเสี่ยงจากการถูกไฟฟ้าดูด

- ▶ **หลีกเลี่ยงอย่าให้ร่างกายสัมผัสกับพื้นผิวที่ต่อสายดินหรือลงกราวด์ไว้ เช่น ท่อ เครื่องทำความร้อน เตา และตู้เย็น** จะเสี่ยงอันตรายจากการถูกไฟฟ้าดูดมากขึ้นหากกระแสไฟฟ้าวิ่งผ่านร่างกายของท่านลงดิน
- ▶ **อย่าให้เครื่องมือไฟฟ้าถูกฝนหรืออยู่ในสภาพเปียกชื้น** หากน้ำเข้าในเครื่องมือไฟฟ้า จะเพิ่มความเสี่ยงจากการถูกไฟฟ้าดูด
- ▶ **อย่าใช้สายไฟฟ้าในทางที่ผิด อย่าใช้สายไฟฟ้าเพื่อยก ดึง หรือถอดปลั๊กเครื่องมือไฟฟ้า** กันสายไฟฟ้าออกจากความร้อน น้ำมัน ขอบแหลมคม หรือชิ้นส่วนที่เคลื่อนที่ สายไฟฟ้าที่ชำรุดหรือพันกันยังเพิ่มความเสี่ยงจากการถูกไฟฟ้าดูด
- ▶ **เมื่อใช้เครื่องมือไฟฟ้าทำงานกลางแจ้ง ให้ใช้สายไฟต่อที่เหมาะสมสำหรับการใช้งานกลางแจ้ง** การใช้สายไฟต่อที่เหมาะสมสำหรับงานกลางแจ้งช่วยลดอันตรายจากการถูกไฟฟ้าดูด
- ▶ **หากไม่สามารถหลีกเลี่ยงการใช้เครื่องมือไฟฟ้าทำงานในสภาพที่เปียกชื้นได้ ให้ใช้สวิตช์ตัดวงจรเมื่อเกิดการรั่วไหลของไฟฟ้าจากสายดิน (RCD) การใช้สวิตช์ตัดวงจรเมื่อเกิดการรั่วไหลของไฟฟ้าจากสายดินช่วยลดความเสี่ยงต่อการถูกไฟฟ้าดูด**

ความปลอดภัยของบุคคล

- ▶ **ท่านต้องอยู่ในสภาพเตรียมพร้อม ระวังวังวนในสิ่งที่ท่านกำลังทำอยู่ และมีสติขณะใช้เครื่องมือไฟฟ้าทำงาน** อย่าใช้เครื่องมือไฟฟ้าขณะที่ท่านกำลังเหนื่อย หรืออยู่ภายใต้การครอบงำของฤทธิ์ของยาเสพติด แอลกอฮอล์ และยา เมื่อใช้เครื่องมือไฟฟ้าทำงานในช่วงเวลาที่ท่านขาดความเอาใจใส่อาจทำให้บุคคลบาดเจ็บอย่างรุนแรงได้
- ▶ **ใช้อุปกรณ์ปกป้องร่างกาย สวมแว่นตาป้องกันเสมอ** อุปกรณ์ปกป้อง เช่น หนวดกากันฝุ่น รองเท้ากันลื่น หมวกแข็ง หรือประคบหูกันเสียงดังที่ไซตามความเหมาะสมกับสภาพการทำงาน จะลดการบาดเจ็บทางร่างกาย
- ▶ **ป้องกันการติดเครื่องโดยไม่ตั้งใจ ตรวจสอบให้แน่ใจว่าสวิตช์อยู่ในตำแหน่งปิดก่อนเชื่อมต่อเข้ากับแหล่งจ่ายไฟ และ/หรือแบตเตอรี่แพ็ค ยกหรือถือเครื่องมือ** การถือเครื่องโดยใช้นิ้วหัวที่สวิตช์ หรือเสียบปลั๊กไฟฟ้าขณะสวิตช์เปิดอยู่ อาจนำไปสู่อุบัติเหตุที่ร้ายแรงได้
- ▶ **นำเครื่องมือปรับแต่งหรือปรับแปกคายออกก่อนเปิดสวิตช์เครื่องมือไฟฟ้า** เครื่องมือหรือปรับแต่งคายคายที่วางอยู่ยกส่วนของเครื่องที่กำลังหมุนจะทำให้บุคคลบาดเจ็บได้
- ▶ **อย่าเอื้อมไกลเกินไป ตั้งทำขึ้นที่มั่นคงและวางน้ำหนักให้สมดุลตลอดเวลา** ในลักษณะนี้ท่านสามารถควบคุมเครื่องมือไฟฟ้าในสถานการณ์ที่ไม่คาดคิดได้ดีกว่า
- ▶ **แต่งกายอย่างเหมาะสม** อย่าใส่เสื้อผ้าทวมหรือสวมเครื่องประดับ เข็มและเสื้อผ่าออกห่างจากชิ้นส่วนที่เคลื่อนที่ เสื้อผ้าทวม เครื่องประดับ และผมยาวอาจเข้าไปติดในชิ้นส่วนที่เคลื่อนที่

- ▶ **หากเครื่องมือไฟฟ้ามีข้อเชื่อมต่อกับเครื่องดูดฝุ่นหรือเครื่องเก็บผง ให้ตรวจสอบให้แน่ใจว่าได้เชื่อมต่อและใช้งานอย่างถูกต้อง** การใช้อุปกรณ์ดูดฝุ่นช่วยลดอันตรายที่เกิดจากฝุ่นได้
- ▶ **เมื่อใช้งานเครื่องมือขึงจะเกิดความคุ้นเคย** อย่าให้ความคุ้นเคยทำให้ท่านเกิดความชะล่าใจและละเลยกฎเกณฑ์ด้านความปลอดภัยภายในการทำงานเครื่อง การทำงานอย่างไม่ระมัดระวังอาจทำให้เกิดการบาดเจ็บอย่างร้ายแรงภายในเสี้ยววินาที

การใช้และการดูแลรักษาเครื่องมือไฟฟ้า

- ▶ **อย่าฝืนกำลังเครื่องมือไฟฟ้า** ใช้เครื่องมือไฟฟ้าที่ถูกต้องตรงตามลักษณะงานของท่าน เครื่องมือไฟฟ้าที่ถูกต้องจะทำงานได้ดีกว่าและปลอดภัยกว่าในระดับสมรรถภาพที่ออกแบบไว้
 - ▶ **อย่าใช้เครื่องมือไฟฟ้าถ้าสวิตช์ไม่สามารถเปิดปิดได้** เครื่องมือไฟฟ้าที่ไม่สามารถควบคุมการเปิดปิดด้วยสวิตช์ได้ เป็นเครื่องมือไฟฟ้าที่ไม่ปลอดภัยและต้องส่งซ่อมแซม
 - ▶ **ก่อนปรับแต่งเครื่อง เปลี่ยนอุปกรณ์ประกอบ หรือเก็บเครื่องเข้าที่ ต้องถอดปลั๊กออกจากแหล่งจ่ายไฟ และ/หรือถอดแบตเตอรี่แพ็คออกจากเครื่องมือไฟฟ้าหากถอดออกได้** มาตรการป้องกันเพื่อความปลอดภัยนี้ช่วยลดความเสี่ยงจากการติดเครื่องโดยไม่ตั้งใจ
 - ▶ **เมื่อเลิกใช้งานเครื่องมือไฟฟ้า ให้เก็บเครื่องมือในที่ที่เด็กหยิบไม่ถึง และไม่อนุญาตให้บุคคลที่ไม่คุ้นเคยกับเครื่องมือหรือบุคคลที่ไม่ได้อ่านคำแนะนำนำเหล่ามาใช้เครื่อง** เครื่องมือไฟฟ้าเป็นของอันตรายหากตกอยู่ในมือของผู้ใช้ที่ไม่ได้รับการฝึกฝน
 - ▶ **บำรุงรักษาเครื่องมือไฟฟ้าและอุปกรณ์ประกอบ** ตรวจสอบชิ้นส่วนที่เคลื่อนที่ว่าวางไม่ตรงแนวหรือติดขัดหรือไม่ ตรวจสอบการแตกหักของชิ้นส่วนและสภาพชิ้นใดที่อาจมีผลต่อการทำงานของเครื่องมือไฟฟ้า หากชำรุดต้องส่งเครื่องมือไฟฟ้าไปซ่อมแซมก่อนใช้งาน อุบัติเหตุหลายอย่างเกิดขึ้นเนื่องจากดูแลรักษาเครื่องมือไม่ดีพอ
 - ▶ **รักษาเครื่องมือตัดได้คมและสะอาด** หากบำรุงรักษาเครื่องมือที่มีขอบตัดแหลมคมอย่างถูกต้อง จะสามารถตัดได้ลื่นไม่ติดขัดและความคมได้ง่ายกว่า
 - ▶ **ใช้เครื่องมือไฟฟ้า อุปกรณ์ประกอบ เครื่องมือ และอุปกรณ์อื่นๆ** ตรงตามคำแนะนำเหล่านี้ โดยคำนึงถึงเงื่อนไขการทำงานและงานที่จะทำ การใช้เครื่องมือไฟฟ้าทำงานที่ต่างไปจากวัตถุประสงค์การใช้งานของเครื่อง อาจนำไปสู่สถานการณ์ที่เป็นอันตรายได้
 - ▶ **ดูแลน้ำมันและพื้นผิวจับให้แห้ง สะอาด และปราศจากคราบไขมันและจาระบี** น้ำมันจับและพื้นผิวจับที่ลื่นทำให้หยิบจับได้ไม่ปลอดภัย และไม่สามารถควบคุมเครื่องมือในสถานการณ์ที่ไม่คาดคิด
- การใช้และการดูแลรักษาเครื่องมือที่แบตเตอรี่**
- ▶ **ชาร์จไฟใหม่ด้วยเครื่องชาร์จที่บริษัทผู้ผลิตระบุไว้เท่านั้น** เครื่องชาร์จที่เหมาะสมสำหรับชาร์จแบตเตอรี่แพ็คประเภทหนึ่งๆ หากนำไปชาร์จแบตเตอรี่แพ็คประเภทอื่น อาจเกิดไฟไหม้ได้
 - ▶ **ใช้เครื่องมือไฟฟ้าเฉพาะกับแบตเตอรี่แพ็คที่กำหนดไว้เท่านั้น** การใช้แบตเตอรี่แพ็คประเภทอื่นเสี่ยงต่อการเกิดไฟไหม้หรือบาดเจ็บ

- ▶ เมื่อไม่ใช้งานแบตเตอรี่แพ็ค ให้เก็บไว้ห่างวัตถุที่เป็นโลหะอื่นๆ เช่น คลิปหนีบกระดาษ เหรียญ กุญแจ ตะปู สกรู หรือวัตถุที่เป็นโลหะขนาดเล็กอื่นๆ ที่สามารถเชื่อมต่อขั้วหนึ่งไปยังอีกขั้วหนึ่งได้ การลัดวงจรของขั้วแบตเตอรี่อาจทำให้เกิดการไหม้หรือไฟลุกได้
- ▶ หากใช้แบตเตอรี่อย่างอาจมีของเหลวไหลออกมาจากแบตเตอรี่ได้ ให้หลีกเลี่ยงการสัมผัส หากสัมผัสโดยบังเอิญให้ใช้น้ำล้าง หากของเหลวเข้าตา ให้ขอความช่วยเหลือจากแพทย์
ของเหลวที่ไหลออกมาจากแบตเตอรี่อาจทำให้เกิดอาการคันหรือแสบผิวหนังได้
- ▶ อย่าใช้แบตเตอรี่แพ็คหรือเครื่องมือที่ชำรุดหรือดัดแปลงแบตเตอรี่ที่ชำรุดหรือดัดแปลงอาจแสดงอาการที่ไม่สามารถคาดเดาได้ ส่งผลให้เกิดไฟไหม้ ระเบิด หรือความเสี่ยงต่อการได้รับบาดเจ็บ
- ▶ อย่าใช้แบตเตอรี่แพ็คหรือเครื่องมือสัมผัสไฟหรืออุณหภูมิที่สูงเกินไป หากสัมผัสไฟหรืออุณหภูมิที่สูงกว่า 130 °C อาจทำให้เกิดการระเบิดได้
- ▶ ปฏิบัติตามคำแนะนำเกี่ยวกับการชาร์จทั้งหมด และต้องไม่ชาร์จแบตเตอรี่แพ็คหรือเครื่องมือนอกช่วงอุณหภูมิที่กำหนดในคำแนะนำ การชาร์จแบตเตอรี่อย่างไม่ถูกวิธีหรือนอกช่วงอุณหภูมิที่กำหนด อาจทำให้แบตเตอรี่เสียหายและเพิ่มความเสี่ยงต่อการเกิดไฟไหม้

การบริการ

- ▶ ส่งเครื่องมือไฟฟ้าของท่านเข้ารับบริการจากช่างซ่อมที่มีคุณสมบัติเหมาะสม โดยใส่ชื่อผลิตภัณฑ์เหมือนกันเท่านั้น ในลักษณะที่ท่านจะแน่ใจได้ว่าเครื่องมือไฟฟ้าอยู่ในสภาพที่ปลอดภัย
- ▶ อยู่ภายใต้การรับประกันแบตเตอรี่แพ็คที่ชำรุดอย่างเด็ดขาด ต้องส่งใบรับที่ผู้ผลิตหรือศูนย์บริการที่ได้ รับผิดชอบดำเนินการบำรุงรักษาแบตเตอรี่แพ็คเท่านั้น

คำเตือนเพื่อความปลอดภัยสำหรับค้อน

คำเตือนเพื่อความปลอดภัยสำหรับการทำงานทั้งหมด

- ▶ สวมประภทความปลอดภัย การรับฟังเสียงดังอาจทำให้สูญเสียการได้ยิน
- ▶ ใช้ตามจับเพิ่มหากจัดส่งมาพร้อมกับเครื่องการสูญเสียการควบคุมอาจทำให้บุคคลได้รับบาดเจ็บ
- ▶ เมื่อทำงานในบริเวณที่เครื่องมือตัดอาจสัมผัสสายไฟฟ้าที่ซ่อนอยู่ ต้องจับเครื่องมือไฟฟ้าตรงพื้นผิวจับที่หุ้มฉนวนหากเครื่องมือตัดสัมผัสสายที่ “มีกระแสไฟฟ้า” ไหลผ่าน จะทำให้ชิ้นส่วนโลหะที่ไม่ได้หุ้มฉนวนของเครื่องมือไฟฟ้าเกิด “มีกระแสไฟฟ้า” ด้วย และส่งผลให้ผู้ใช้งานเครื่องถูกไฟฟ้าดูดได้

คำแนะนำเพื่อความปลอดภัยเพิ่มเติม

- ▶ ใช้เครื่องตรวจจับที่เหมาะสมเพื่อตรวจหาสายไฟฟ้าหรือท่อสาธารณูปโภคที่อาจซ่อนอยู่ในบริเวณทำงาน หรือติดต่อบริษัทสาธารณูปโภคในพื้นที่เพื่อขอความช่วยเหลือ การสัมผัสกับสายไฟอาจทำให้เกิดไฟไหม้หรือถูกไฟฟ้าดูด การทำให้ท่อแก๊ซเสียหายอาจทำให้เกิดระเบิด การเจาะเขาในท่อน้ำ ทำให้ทรัพย์สินเสียหาย

- ▶ รอให้เครื่องมือไฟฟ้าหยุดสนิทก่อนวางเครื่องลงบนพื้น เครื่องมือที่เสียบอยู่อาจติดขัดและทำให้สูญเสียการควบคุมเครื่องมือไฟฟ้า
- ▶ ยึดชิ้นงานให้แน่น การยึดชิ้นงานด้วยเครื่องมือหรือแท่นจับจะมั่นคงกว่าการยึดด้วยมือ
- ▶ ห้ามสัมผัสเครื่องมือหรือชิ้นส่วนใดๆ ที่อยู่ติดกันหลังเสร็จสิ้นการทำงานแล้วไม่ว่า ชิ้นส่วนเหล่านี้อาจจมนจัดระหว่างการทำงานและทำให้เกิดแผลไหม้ได้
- ▶ ใช้ความระมัดระวังในขณะที่ถอดถ่วงด้วยลิ้ว เศษวัสดุการรื้อถอนที่ร่วงหล่นอาจทำให้คุณรอบข้างหรือตัวคุณเองบาดเจ็บได้
- ▶ เมื่อแบตเตอรี่ชำรุดและนำไปใช้งานอย่างไม่ถูกต้องอาจมีไอระเหยออกมาได้ แบตเตอรี่อาจเผาไหม้หรือระเบิดได้ให้สูดอากาศบริสุทธิ์และไปพบแพทย์ในกรณีเจ็บปวดไอระเหยอาจทำให้ระบบหายใจระคายเคือง
- ▶ อย่าเปิดแบตเตอรี่ อันตรายจากการลัดวงจร
- ▶ วัตถุที่แหลมคม ต. ย. เช่น ตะปูหรือไขควง หรือแรงกระทำภายนอก อาจทำให้แบตเตอรี่เสียหายได้ สิ่งเหล่านี้อาจทำให้เกิดการลัดวงจรภายในและแบตเตอรี่ใหม่ มีควันระเบิด หรือร้อนเกินไป
- ▶ ใช้เฉพาะแบตเตอรี่จากผลิตภัณฑ์ของผู้ผลิต ในลักษณะนี้ แบตเตอรี่แพ็คจะได้รับการปกป้องจากการใช้งานเกินกำลังซึ่งเป็นอันตราย



ปกป้องแบตเตอรี่จากความร้อน รวมทั้ง ต. ย. เช่น จากการถูกแสงแดดส่องต่อเนื่อง จากไฟลิ่งสปริง น้ำ และความชื้น อันตรายจากการระเบิดและการลัดวงจร

- ▶ จับเครื่องมือไฟฟ้าให้แน่นด้วยมือทั้งสองข้างและตั้งท่ายืนให้มั่นคงขณะทำงาน ท่านจะสามารถนำทางเครื่องมือไฟฟ้าได้ปลอดภัยกว่าเมื่อจับเครื่องมือทั้งสองข้าง

สัญลักษณ์

สัญลักษณ์ต่อไปนี้มีความสำคัญต่อการใช้เครื่องมือไฟฟ้าของท่าน กรุณาจดจำสัญลักษณ์และความหมาย การแปลความสัญลักษณ์ได้ถูกต้องจะช่วยให้ท่านใช้เครื่องมือไฟฟ้าได้ตีและปลอดภัยกว่า

สัญลักษณ์และความหมายของสัญลักษณ์



หากต้องการเปลี่ยนเครื่องมือใช้งาน ให้ดึงปลอกล๊อคไปด้านหลัง



สำหรับการเปลี่ยนตำแหน่งของดอกสกัด ให้เลื่อนแหวนปรับดอกสกัดไปทางด้านหน้าแล้วหมุน

รายละเอียดผลิตภัณฑ์และข้อมูลจำเพาะ



อ่านค่าเตือนเพื่อความปลอดภัยและคำแนะนำทั้งหมด การไม่ปฏิบัติตามค่าเตือนและคำสั่งอาจเป็นสาเหตุให้ถูกไฟฟ้าดูด เกิดไฟไหม้ และ/หรือได้รับบาดเจ็บอย่างร้ายแรง

กรุณาดูภาพประกอบในส่วนหน้าของคู่มือการใช้งาน

ประโยชน์การใช้งานของเครื่อง

เครื่องมือไฟฟ้านี้ใช้สำหรับงานสกัดในคอนกรีต อิฐ หิน และยางมะตอย รวมทั้งสำหรับงานตอกและอัดแน่นเมื่อใช้กับอุปกรณ์ประกอบที่ตรงกับลักษณะงาน

ส่วนประกอบผลิตภัณฑ์

ลำดับเลขของส่วนประกอบผลิตภัณฑ์อ้างอิงถึงส่วนประกอบของเครื่องมือไฟฟ้าที่แสดงในหน้าภาพประกอบ

- (1) ฝาครอบกันฝุ่น
- (2) ปกอล็อก
- (3) แหวนล็อกปรับตอกสกัด (Vario-Lock)
- (4) ตัวหน่วงการสิ้นสะเทือน
- (5) ปุ่มลอคสวิตช์เปิด/ปิด
- (6) ด้ามจับ (พื้นผิวจับหุ้มฉนวน)
- (7) สวิตช์เปิด-ปิด
- (8) แบตเตอรี่แบบชาร์จได้^{a)}
- (9) ด้ามจับเสริม (พื้นผิวจับหุ้มฉนวน)
- (10) ไฟส่องบริเวณทำงาน
- (11) แม่เหล็กยึดแบตเตอรี่แบบชาร์จได้^{a)}
- (12) อินเตอร์เฟสผู้ใช้
- (13) ไฟแสดงสถานะเครื่องมือไฟฟ้า (อินเตอร์เฟสผู้ใช้)
- (14) ไฟแสดงอุณหภูมิ (อินเตอร์เฟสผู้ใช้)
- (15) ไฟแสดงโหมดการทำงาน 100% (อินเตอร์เฟสผู้ใช้)
- (16) ปุ่มสำหรับเลือกโหมดการทำงาน (อินเตอร์เฟสผู้ใช้)
- (17) ไฟแสดงโหมดการทำงาน 70% (อินเตอร์เฟสผู้ใช้)
- (18) ไฟแสดงสถานะการชาร์จแบตเตอรี่ (อินเตอร์เฟสผู้ใช้)
- (19) น็อตลูกบิดสำหรับด้ามจับเพิ่ม

a) อุปกรณ์เสริมนี้ไม่อยู่ในรายการอุปกรณ์มาตรฐานที่จัดส่ง

ข้อมูลทางเทคนิค

ส่วนเจาะทำลายแบบไร้สาย	GSH 18V-5	
หมายเลขสินค้า	3 611 J18 2..	
แรงดันไฟฟ้กัก	V=	18
อัตราการกระแทก ^{A)}	นาที่ ⁻¹	3050
ด้ามจับเครื่องมือ	SDS max	

ส่วนเจาะทำลายแบบไร้สาย	GSH 18V-5	
น้ำหนัก ^{B)}	กก.	5.6–6.6
อุณหภูมิโดยรอบที่แนะนำเมื่อชาร์จ	°C	0 ... +35
อุณหภูมิโดยรอบที่อนุญาตเมื่อใช้งาน ^{C)} และเมื่อจัดเก็บ	°C	-20 ... +50
แบตเตอรี่ที่ใช้งานร่วมกันได้	GBA 18V... ProCORE18V...	
แบตเตอรี่ที่แนะนำให้ใช้	ProCORE18V... อย่างเต็มประสิทธิภาพ	
เครื่องชาร์จที่แนะนำ	GAL 18... GAX 18... GAL 36...	

A) ดำเนินการวัด ณ อุณหภูมิ 20–25 °C พร้อมแบตเตอรี่ ProCORE18V 2.0Ah

B) ขึ้นอยู่กับแบตเตอรี่แพ็คเกจที่ใช้

C) สมรรถภาพจะน้อยลงที่อุณหภูมิ < 0 °C

ค่าอาจแตกต่างกันไปตามผลิตภัณฑ์และขึ้นอยู่กับเงื่อนไขการใช้งานและสภาพแวดล้อม โปรดดูข้อมูลเพิ่มเติมที่เว็บไซต์ www.bosch-professional.com/wac

แบตเตอรี่

Bosch จำหน่ายเครื่องมือไฟฟ้าไร้สายไม่รวมแบตเตอรี่แพ็คเกจด้วยเช่นกัน คุณสามารถดูได้จากบรรจุภัณฑ์ว่า ขอบเขตการจัดส่งเครื่องมือไฟฟ้าของคุณมีแบตเตอรี่แพ็คเกจหรือไม่

การชาร์จแบตเตอรี่

► **ใช้เฉพาะเครื่องชาร์จแบตเตอรี่ที่ระบุในข้อมูลทางเทคนิคเท่านั้น** เฉพาะเครื่องชาร์จแบตเตอรี่เหล่านี้เท่านั้นที่เข้าชุดกับแบตเตอรี่ลิเธียม ไอออน ของเครื่องมือไฟฟ้าของท่าน

หมายเหตุ: แบตเตอรี่ลิเธียม ไอออนถูกจัดส่งโดยมีการชาร์จไฟบางส่วนตามระเบียบข้อบังคับด้านการขนส่งระหว่างประเทศ เพื่อให้แน่ใจว่าแบตเตอรี่จะทำงานได้อย่างสมบูรณ์แบบ ก่อนใช้งานครั้งแรกให้ชาร์จแบตเตอรี่จนเต็ม

การใส่แบตเตอรี่

ใส่แบตเตอรี่ที่ชาร์จแล้วเข้าในด้ามจับจนรู้สึกเข้าล็อก

การถอดแบตเตอรี่



เมื่อต้องการถอดแบตเตอรี่แพ็คเกจ ให้กดแม่เหล็กยึดแบตเตอรี่และดึงแบตเตอรี่แพ็คเกจออกจากเครื่องมือไฟฟ้าอย่าใช้กำลังดึง

แบตเตอรี่แพ็คเกจมีการล็อก 2 ระดับเพื่อป้องกันไม่ให้แบตเตอรี่แพ็คเกจหลุดออกมาหากกดแม่เหล็กยึดแบตเตอรี่โดยไม่ตั้งใจ เมื่อแบตเตอรี่ถูกบรรจุอยู่ในเครื่องมือไฟฟ้า สปริงจะยึดแบตเตอรี่ให้เข้าตำแหน่ง

ไฟแสดงสถานะการชาร์จแบตเตอรี่

หมายเหตุ: ไม่ใช่แบตเตอรี่ทุกประเภทที่จะมีไฟแสดงระดับการชาร์จ

ไฟ LED สีเขียวของการแสดงสถานะการชาร์จแบตเตอรี่แสดงสถานะการชาร์จของแบตเตอรี่ ด้วยเหตุผลด้านความปลอดภัยท่านสามารถตรวจสอบสถานะการชาร์จเฉพาะเมื่อเครื่องมือไฟฟ้าหยุดสนิทเท่านั้น

กดปุ่มสำหรับไฟแสดงสถานะการชาร์จแบตเตอรี่  หรือ  เพื่อแสดงสถานะการชาร์จ ท่านสามารถกดได้แม้เมื่อได้ถอดแบตเตอรี่ออกแล้ว

หลังจากกดปุ่มสำหรับไฟแสดงสถานะการชาร์จแบตเตอรี่แล้วไฟ LED ไม่ติดขึ้น แสดงว่าแบตเตอรี่พร้อมและต้องเปลี่ยนใหม่

สถานะการชาร์จแบตเตอรี่จะปรากฏบน User Interface (ดู "อินเทอร์เฟซผู้ใช้", หน้า 57)

แบตเตอรี่ชนิด GBA 18V...



LED	ความจุ
ไฟส่องสว่างต่อเนื่อง 3× สีเขียว	60–100 %
ไฟส่องสว่างต่อเนื่อง 2× สีเขียว	30–60 %
ไฟส่องสว่างต่อเนื่อง 1× สีเขียว	5–30 %
ไฟกะพริบ 1× สีเขียว	0–5 %

แบตเตอรี่ชนิด ProCORE18V...



LED	ความจุ
ไฟส่องสว่างต่อเนื่อง 5× สีเขียว	80–100 %
ไฟส่องสว่างต่อเนื่อง 4× สีเขียว	60–80 %
ไฟส่องสว่างต่อเนื่อง 3× สีเขียว	40–60 %
ไฟส่องสว่างต่อเนื่อง 2× สีเขียว	20–40 %
ไฟส่องสว่างต่อเนื่อง 1× สีเขียว	5–20 %
ไฟกะพริบ 1× สีเขียว	0–5 %

ข้อแนะนำในการปฏิบัติต่อแบตเตอรี่อย่างเหมาะสมที่สุด

ปกป้องแบตเตอรี่จากความชื้นและน้ำ

เก็บรักษาแบตเตอรี่แพ็คในช่วงอุณหภูมิ $-20\text{ }^{\circ}\text{C}$ ถึง $50\text{ }^{\circ}\text{C}$ เท่านั้น อย่าปล่อยให้วางแบตเตอรี่แพ็คไว้ในรถยนต์ในช่วงฤดูร้อน

ทำความสะอาดช่องระบายอากาศเป็นครั้งคราวโดยใช้แปรงขนอ่อนที่แห้งและสะอาด

หลังจากชาร์จแบตเตอรี่แล้ว หากแบตเตอรี่แพ็คมีช่วงเวลาทำงานสั้นมาก แสดงว่าแบตเตอรี่แพ็คเสื่อมและต้องเปลี่ยนใหม่

อ่านและปฏิบัติตามข้อสังเกตสำหรับการกำจัดขยะ

การติดตั้ง

- ▶ **โปรดถอดแบตเตอรี่แบบชาร์จได้ออกจากเครื่องมือไฟฟ้าก่อนการทำงานทุกประเภทที่เครื่องมือไฟฟ้า (เช่น การบำรุงรักษา การเปลี่ยนเครื่องมือ เป็นต้น)** เนื่องจากการสั่งงานสวิตช์เปิด/ปิดโดยไม่ตั้งใจขณะทำงานดังกล่าวอาจก่อให้เกิดความเสี่ยงต่อการบาดเจ็บได้

ด้ามจับเพิ่ม (ดูภาพประกอบ A)

- ▶ **ใช้เครื่องมือไฟฟ้าของท่านร่วมกับด้ามจับเพิ่ม (9) เท่านั้น** ท่านสามารถจับตามจับเสริม (9) ทันและ/หรือเลื่อนไปยังตำแหน่งใดก็ได้ เพื่อให้ได้การทำงานที่มั่นคงและไม่เมื่อยลา
 - คลายน็อตขึ้นลาย (19) ทันและ/หรือเลื่อนด้ามจับเสริม (9) ไปยังตำแหน่งที่ต้องการ แลวน็อตขึ้นลาย (19) กลับเข้าที่ใหม่

การเปลี่ยนเครื่องมือ

ด้ามจับเครื่องมือ SDS max ทำให้เปลี่ยนเครื่องมือเจาะได้ง่ายและสะดวกโดยไม่ต้องใช้เครื่องมืออื่นๆ ช่วย

ฝาครอบกันฝุ่น (1) สามารถป้องกันฝุ่นได้เป็นอย่างมากไม่ให้ออกเขาไปยังด้ามจับเครื่องมือในระหว่างการใช้งาน โปรดระมัดระวังอย่าให้ฝาครอบกันฝุ่น (1) ชำรุดเสียหายขณะใช้เครื่องมือ

- ▶ **ต้องเปลี่ยนฝาครอบกันฝุ่นที่ชำรุดโดยทันทีเราขอแนะนำควรส่งให้ศูนย์บริการหลังการขายเปลี่ยนให้**

การใส่เครื่องมือ (ดูภาพประกอบ B)

- ทำความสะอาดและทาสีจาระบีบางๆ ที่ปลายก้านเครื่องมือ
- ดันปลอกสำหรับล็อก (2) ไปด้านหลังและจับเครื่องมือหมุนใส่เข้าไปตามจับเครื่องมือ ปล่อยให้วางปลอกสำหรับล็อก (2) อีกครั้งเพื่อล็อกเครื่องมือ
- ดึงเครื่องมือเพื่อตรวจสอบการล็อก

การถอดเครื่องมือ (ดูภาพประกอบ C)

- ดันปลอกสำหรับล็อก (2) ไปด้านหลังและถอดเครื่องมือออก

การปฏิบัติงาน

- ▶ **โปรดถอดแบตเตอรี่แบบชาร์จได้ออกจากเครื่องมือไฟฟ้าก่อนการทำงานทุกประเภทที่เครื่องมือไฟฟ้า (เช่น การบำรุงรักษา การเปลี่ยนเครื่องมือ เป็นต้น)** เนื่องจากการสั่งงานสวิตช์เปิด/ปิดโดยไม่ตั้งใจขณะทำงานดังกล่าวอาจก่อให้เกิดความเสี่ยงต่อการบาดเจ็บได้

การเริ่มต้นปฏิบัติงาน

การเปิด-ปิดเครื่อง

- **สุดท้าย** เครื่องมือไฟฟ้าโดยกดสวิตช์เปิด-ปิด (7) และกดค้างไว้
- **ล็อก** สวิตช์เปิด-ปิด (7) ที่กดค้างไว้ โดยกดปุ่มล็อกสวิตช์เปิด-ปิด (5)
- **ปิด** เครื่องมือไฟฟ้าโดยปล่อยให้วางสวิตช์เปิด-ปิด (7) หรือในกรณีที่ถูกล็อกด้วยปุ่มล็อก (5) อยู่ โทกดสวิตช์เปิด-ปิด (7) สั้นๆ และปล่อยให้วาง

ในกรณีที่ยอดหมุดต่ำ เครื่องมือไฟฟ้าจะเริ่มกระแทกเต็มที่หลังจากเปิดเครื่องทำงานแล้วระยะหนึ่งเท่านั้น

ตัวล็อกป้องกันการเปิดใช้งาน

- ▶ เครื่องมือไฟฟ้านี้ได้รับการติดตั้งตัวล็อกป้องกันการเปิดใช้งานเพื่อป้องกันการเปิดใช้งานโดยไม่ตั้งใจ

การเปิดใช้ตัวล็อกป้องกันการเปิดใช้งาน:

- ในขณะที่เครื่องมืออยู่ในสถานะปิดใช้งาน ใ้กดปุ่มล็อก (5) วิธีนี้จะล๊อคสวิตช์เปิด-ปิด (7) และป้องกันการเปิดใช้งานโดยไม่ตั้งใจ

การปิดใช้ตัวล็อกป้องกันการเปิดใช้งาน:

- กดปุ่มล็อก (5) ที่ถูกล๊อคอยู่ วิธีนี้จะปลดล๊อคสวิตช์เปิด-ปิด (7) และทำให้เครื่องมือไฟฟ้าสามารถใช้งานได้

ไฟส่องบริเวณทำงาน

ไฟส่องบริเวณทำงาน (10) จะส่องสว่างเมื่อกดสวิตช์เปิด-ปิด (7) เบาๆ หรือเต็มที่ และช่วยเพิ่มความสว่างในบริเวณทำงานภายใต้สภาพแสงที่ไม่เอื้ออำนวย

อินเตอร์เฟซผู้ใช้

อินเตอร์เฟซผู้ใช้ (12) ใช้สำหรับเลือกโหมดงานและสำหรับแสดงสถานะของเครื่องมือไฟฟ้า

ไฟแสดงสถานะ

ไฟแสดงสถานะเครื่องมือไฟฟ้า (13)	ความหมาย	วิธีแก้ปัญหา
-	ปิดสวิตช์เครื่องมือไฟฟ้า	-
สีเขียว	เครื่องมือไฟฟ้าเปิดสวิตช์ข้อยู่และพร้อมใช้งาน	-
สีเหลือง	อุณหภูมิถึงขั้นวิกฤติหรือแบตเตอรี่ใกล้หมด	ให้เครื่องมือไฟฟ้าวิ่งตัวเปล่าและปล่อยให้เย็นลง หรือเปลี่ยนหรือชาร์จแบตเตอรี่ใหม่ซ้ำ
สีแดง	เครื่องมือไฟฟ้าร้อนเกินไปหรือแบตเตอรี่หมดประจุ	ปล่อยให้เครื่องมือไฟฟ้าเย็นลง หรือเปลี่ยนหรือชาร์จแบตเตอรี่
	แบตเตอรี่แพ็ค อ่อนเกินไป	ชาร์จแบตเตอรี่หรือใช้แบตเตอรี่ชนิดที่แนะนำ
	ความผิดพลาดทั่วไป	- ปิดสวิตช์เครื่องมือไฟฟ้าและเปิดสวิตช์อีกครั้ง หรือถอดแบตเตอรี่ออกแล้วใส่กลับเข้าไปใหม่อีกครั้ง หากยังคงเปิดปัญหาอยู่: - ส่งเครื่องมือไฟฟ้าไปยังฝ่ายบริการลูกค้า

ไฟแสดงสถานะการชาร์จแบตเตอรี่ (user interface) (18)	ความหมาย/สาเหตุ	วิธีแก้ปัญหา
สีเขียว (2 ถึง 5 แถบ)	ชาร์จแบตเตอรี่แล้ว	-
สีเหลือง (1 แถบ)	แบตเตอรี่ใกล้หมด	เปลี่ยนหรือชาร์จแบตเตอรี่ใหม่ซ้ำ
สีแดง (1 แถบ)	แบตเตอรี่หมดประจุ	เปลี่ยนหรือชาร์จแบตเตอรี่

ไฟแสดงอุณหภูมิ (14)	ความหมาย/สาเหตุ	วิธีแก้ปัญหา
สีเหลือง	หากอุณหภูมิในการทำงานของแบตเตอรี่หรือเครื่องมือไฟฟ้าเพิ่มขึ้นอย่างมาก ประสิทธิภาพจะลดลง	ปล่อยให้เครื่องมือไฟฟ้าเย็นลงหรือเปลี่ยนแบตเตอรี่แพ็คที่ร้อนเกิน

การตั้งอัตรากระแทก

ท่านสามารถปรับอัตราการกระแทกของเครื่องมือไฟฟ้าที่เปิดสวิตช์ข้อยู่ได้อย่างต่อเนื่องตามแรงกดมากน้อยบนสวิตช์เปิด-ปิด (7)

การกดสวิตช์เปิด-ปิด (7) เบาๆ จะได้อัตราการกระแทกต่ำ เมื่อเพิ่มแรงกด อัตราการกระแทกจะเพิ่มขึ้น

การเปลี่ยนตำแหน่งสกัด (Vario-Lock) (รูปภาพ D)

ท่านสามารถล๊อคดอกสกัดได้ 12 ตำแหน่ง ในลักษณะนี้ท่านสามารถตั้งท่าทำงานได้เหมาะสมที่สุดสำหรับแต่ละรูปแบบการใช้งาน

- ใส่ดอกสกัดเข้าในหัวจับดอก
- ดันแหวนล๊อคปรับดอกสกัด (3) ไปข้างหน้า และหมุนดอกสกัดไปยังตำแหน่งที่ต้องการด้วยแหวนล๊อคปรับดอกสกัด (3)
- ปล่อยให้จากแหวนล๊อคปรับดอกสกัด (3) และหมุนดอกสกัดจนชนเขาที่

ไฟแสดงอุณหภูมิ (14)	ความหมาย/สาเหตุ	วิธีแก้ปัญหา
สีแดง	หากอุณหภูมิในการทำงานของแบตเตอรี่หรือ เครื่องมือไฟฟ้าสูงเกิน เครื่องมือไฟฟ้าจะปิด เพื่อป้องกัน	ปล่อยให้เครื่องมือไฟฟ้าเย็นลงหรือเปลี่ยน แบตเตอรี่แพ็คที่รอนเกิน

การเลือกโหมดงาน

กดปุ่ม (16) ซ้ำๆ เพื่อเลือกโหมดงานจนโหมดงานที่ต้องการส่องสว่างขึ้น

ฟังก์ชัน	
ไฟแสดงโหมดการทำงาน 100% (15)	โหมดการทำงาน 100% (พร้อมระบบเริ่มการทำงานอย่างนุ่มนวล Adaptive Speed Control): การเร่งเครื่องอย่างควบคุมจนถึงระดับกำลังสูงสุด ใช้งานแบตเตอรี่ได้เป็นระยะเวลาสั้นลง
ไฟแสดงโหมดการทำงาน 70% (17)	โหมดการทำงาน 70% (พร้อมระบบเริ่มการทำงานอย่างนุ่มนวล Adaptive Speed Control): การเร่งเครื่องอย่างควบคุมจนถึงระดับกำลังลดลงเพื่อการทำงานกับวัสดุขอบบาง ใช้งานแบตเตอรี่ได้เป็นระยะเวลานานขึ้น

ข้อแนะนำในการทำงาน

การลับดอกสกัด

ดอกสกัดคมเท่านั้นที่จะสกัดได้ดี ดังนั้นต้องลับดอกสกัดอย่าง ทันหนทางที่การปฏิบัติดังนี้จะทำให้เครื่องมือมีอายุการใช้งาน ยาวนานและได้ผลงานที่ดี

การลับซ้ำ

ลับดอกสกัดด้วยล้อเจียรใน (ต. ย. เช่น ล้อคอร์นดัมยัดเกาะ ด้วยเซรามิก) โดยให้น้ำอย่างต่อเนื่องระมัดระวังอย่าให้สีหลอมปรากฏบนขอบตัด ซึ่งจะบั่นทอนความแข็งของดอกสกัด สำหรับการตัดเหล็ก ให้เผาดอกสกัดให้ร้อนถึงอุณหภูมิระหว่าง 850 และ 1050 °C (สีแดงอ่อนถึงสีเหลือง) สำหรับการทำไฟแข็ง ให้เผาดอกสกัดให้ร้อนถึงอุณหภูมิ ประมาณ 900 °C และจุ่มดอกสกัดลงในน้ำมันเพื่อทำให้เย็นลงจากนั้นนำไปหลอมในเตาอบนานประมาณหนึ่งชั่วโมงที่ อุณหภูมิ 320 °C (สีหลอม สีฟ้าอ่อน)

ระบบควบคุมความเร็วอิเล็กทรอนิกส์ (Adaptive Speed Control)



เครื่องมือไฟฟ้าจะสตาร์ทด้วยความเร็วต่ำ จากนั้นจะเพิ่มความเร็วขึ้นอย่างรวดเร็วจนถึง ความเร็วที่กำหนดไว้ ซึ่งจะช่วยให้ควบคุมได้ดี ยิ่งขึ้นและเริ่มทำงานได้อย่างแม่นยำ

ระบบควบคุมความเร็วอิเล็กทรอนิกส์จะเริ่มการทำงานโดย อัตโนมัติ เมื่อดอกสกัดเข้ามามีสัมผัสกับการทำงานในระหว่าง การใช้งาน

ความเร็วรอบจะถูกปรับลดลงตามเวลาหนึ่ง เมื่อดอกสกัด ห่างออกจากสัมผัสการทำงาน

ตัวหน่วงการสั่นสะเทือน



ตัวหน่วงการสั่นสะเทือนเบ็ดเสร็จช่วยลดการสั่นสะเทือนที่เกิดขึ้น

- ▶ หากองค์กรประกอบตัวหน่วงการสั่นสะเทือนชำรุด อย่าใช้เครื่องมือไฟฟ้าทำงานต่อไป

การบำรุงรักษาและการบริการ

การบำรุงรักษาและการทำความสะอาด

- ▶ **โปรดถอดแบตเตอรี่แบบชาร์จได้ออกจากเครื่องมือไฟฟ้า ก่อนการทำงานทุกประเภทที่เครื่องมือไฟฟ้า (เช่น การ บำรุงรักษา การเปลี่ยนเครื่องมือ เป็นต้น)** เนื่องจากการลัด งานสวิตช์เปิด/ปิดโดยไม่ได้ตั้งใจขณะทำงานดังกล่าวอาจก่อให้เกิดความเสี่ยงต่อการบาดเจ็บได้
- ▶ **เพื่อให้ทำงานได้อย่างถูกต้องและปลอดภัย ต้องรักษาเครื่องและช่องระบายอากาศให้สะอาดอยู่เสมอ**
- ▶ **ต้องเปลี่ยนผ้าครอบกันฝุ่นที่ชำรุดโดยทันที เราขอแนะนำ ว่าควรส่งให้ศูนย์บริการหลังการขายเปลี่ยนให้**

การหล่อลื่นเครื่องมือไฟฟ้า

เครื่องมือไฟฟ้านี้หล่อลื่นด้วยจาระบี

จำเป็นต้องเปลี่ยนจาระบีหล่อลื่นเฉพาะในระหว่างการบำรุง รักษาหรือซ่อมแซมโดยศูนย์บริการลูกค้าที่ได้รับมอบหมาย สำหรับเครื่องมือไฟฟ้า บอช เท่านั้นสำหรับการเปลี่ยน จำเป็น ต้องใช้จาระบีหล่อลื่นของ บอช ที่กำหนดไว้

การบริการหลังการขายและการให้คำปรึกษาการใช้งาน

ศูนย์บริการหลังการขายของเรายินดีตอบคำถามของ ท่านที่เกี่ยวกับการบำรุงรักษาและการซ่อมแซมผลิตภัณฑ์รวม ทั้งเรื่องอะไหล่ ภาพเขียนแบบการประกอบและข้อมูลเกี่ยวกับ อะไหล่ กรุณาดูใน: www.bosch-pt.com ที่ทีมงานที่ปรึกษาของ บอช ยินดีให้ข้อมูลเกี่ยวกับผลิตภัณฑ์ ของเราและอุปกรณ์ประกอบต่างๆ

เมื่อต้องการสอบถามและสั่งซื้ออะไหล่ กรุณาแจ้งหมายเลข สินค้า 10 หลักรบนแผนป้ายรุ่นของผลิตภัณฑ์ทุกครั้ง

ไทย

ไทย บริษัท โรเบิร์ต บอช จำกัด
เอพวยไอ เซ็นเตอร์ อาคาร 1 ชั้น 5
เลขที่ 2525 ถนนพระราม 4
แขวงคลองเตย เขตคลองเตย กรุงเทพฯ 10110

โทร: +66 2012 8888
แฟกซ์: +66 2064 5800
www.bosch.co.th

ศูนย์บริการซ่อมและฝึกอบรม บอช
อาคาร ลาซาลทาวเวอร์ ชั้น G ห้องเลขที่ 2
บ้านเลขที่ 10/11 หมู่ 16
ถนนศรีนครินทร์ ตำบลบางแก้ว อำเภอบางพลี
จังหวัดสมุทรปราการ 10540
ประเทศไทย
โทรศัพท์ 02 7587555
โทรสาร 02 7587525

สามารถดูที่อยู่ศูนย์บริการอื่น ๆ ได้ที่:
www.bosch-pt.com/serviceaddresses

การขนส่ง

แบตเตอรี่ลิเธียมไอออนที่แนะนำให้ใช้ อยู่ภายใต้ข้อกำหนดทางกฎหมายสินค้าอันตราย ผู้ใช้สามารถขนส่งแบตเตอรี่แบบชาร์จได้บนเส้นทางถนนโดยไม่มีข้อบังคับเพิ่มเติม

สำหรับการจัดส่งโดยบุคคลที่สาม (เช่น: การขนส่งทางอากาศหรือตัวแทนขนส่งสินค้า) จำเป็นต้องปฏิบัติตามข้อกำหนดพิเศษเกี่ยวกับการบรรจุภัณฑ์และการติดฉลากสำหรับการจัดเตรียมสิ่งของที่จะจัดส่ง จำเป็นต้องปรึกษาผู้เชี่ยวชาญด้านวัตถุอันตราย

ส่งแบตเตอรี่แพ็คเมื่อตัวหุ้มไม่ชำรุดเสียหายเท่านั้น ใช้แถบกาวยปิดหน้าสัมผัสที่เปิดอยู่ และนำแบตเตอรี่แพ็คใส่กล่องบรรจุโดยไม่ให้เคลื่อนไปมาในกล่องได้ นอกจากนี้ปฏิบัติตามกฎระเบียบของประเทศซึ่งอาจมีรายละเอียดเพิ่มเติม

การกำจัดขยะ



เครื่องมือไฟฟ้า แบตเตอรี่แพ็ค อุปกรณ์ประกอบ และหีบห่อ ต้องนำ

ไปแยกประเภทวัสดุเพื่อนำกลับมาใช้ใหม่โดยไม่ทำลายสภาพแวดล้อม



อย่าทิ้งเครื่องมือไฟฟ้าและแบตเตอรี่แพ็ค/แบตเตอรี่ที่นำกลับมาชาร์จใหม่ได้ ลงในขยะบ้าน!

แบตเตอรี่แพ็ค/แบตเตอรี่:

ลิเธียม ไอออน:

กรุณาปฏิบัติตามคำแนะนำในบทการขนส่ง (ดู "การขนส่ง", หน้า 59)

Bahasa Indonesia

Petunjuk Keselamatan

Petunjuk keselamatan umum untuk perkakas listrik

PERINGATAN Baca semua peringatan, petunjuk, ilustrasi, dan spesifikasi

keselamatan yang diberikan bersama perkakas listrik ini. Kesalahan dalam menjalankan petunjuk di bawah ini dapat mengakibatkan sengatan listrik, kebakaran, dan/atau cedera serius.

Simpanlah semua peringatan dan petunjuk untuk penggunaan di masa mendatang.

Istilah "perkakas listrik" dalam peringatan mengacu pada perkakas listrik yang dioperasikan dengan listrik (menggunakan kabel) atau perkakas listrik yang dioperasikan dengan baterai (tanpa kabel).

Keamanan tempat kerja

- ▶ **Jaga kebersihan dan pencahayaan area kerja.** Area yang berantakan atau gelap dapat memicu kecelakaan.
- ▶ **Jangan mengoperasikan perkakas listrik di lingkungan yang dapat memicu ledakan, seperti adanya cairan, gas, atau debu yang mudah terbakar.** Perkakas listrik dapat memancarkan bunga api yang kemudian mengakibatkan debu atau uap terbakar.
- ▶ **Jauhkan dari jangkauan anak-anak dan pengamat saat mengoperasikan perkakas listrik.** Gangguan dapat menyebabkan hilangnya kendali.

Keamanan listrik

- ▶ **Steker perkakas listrik harus sesuai dengan stopkontak. Jangan pernah memodifikasi steker. Jangan menggunakan steker adaptor bersama dengan perkakas listrik yang terhubung dengan sistem grounding.** Steker yang tidak dimodifikasi dan stopkontak yang cocok akan mengurangi risiko sengatan listrik.
- ▶ **Hindari kontak badan dengan permukaan yang terhubung dengan sistem grounding, seperti pipa, radiator, kompor, dan lemari es.** Terdapat peningkatan risiko terjadinya sengatan listrik jika badan Anda terhubung dengan sistem grounding.
- ▶ **Perkakas listrik tidak boleh terpapar hujan atau basah.** Air yang masuk ke dalam perkakas listrik menambah risiko terjadinya sengatan listrik.
- ▶ **Jangan menyalahgunakan kabel. Jangan gunakan kabel untuk membawa, menarik, atau melepas steker perkakas listrik. Jauhkan kabel dari panas, minyak, tepi yang tajam, atau komponen yang bergerak.** Kabel listrik yang rusak atau tersangkut menambah risiko terjadinya sengatan listrik.
- ▶ **Saat mengoperasikan perkakas listrik di luar ruangan, gunakan kabel ekstensi yang sesuai untuk penggunaan di luar ruangan.** Penggunaan kabel yang

cocok untuk pemakaian di luar ruangan mengurangi risiko terjadinya sengatan listrik.

- ▶ **Jika perkakas listrik memang harus dioperasikan di tempat yang lembap, gunakan pemutus arus listrik residu (RCD).** Penggunaan RCD akan mengurangi risiko terjadinya sengatan listrik.

Keselamatan personel

- ▶ **Tetap waspada, perhatikan aktivitas yang sedang dikerjakan dan gunakan akal sehat saat mengoperasikan perkakas listrik. Jangan gunakan perkakas listrik saat mengalami kelelahan atau di bawah pengaruh narkoba, alkohol, atau obat-obatan.** Jika perkakas listrik dioperasikan dengan daya konsentrasi yang rendah, hal tersebut dapat menyebabkan cedera serius.
- ▶ **Gunakan peralatan pelindung diri. Selalu kenakan pelindung mata.** Penggunaan perlengkapan pelindung seperti penutup telinga, helm, sepatu anti licin, dan masker debu akan mengurangi cedera.
- ▶ **Hindari start yang tidak disengaja. Pastikan switch berada di posisi off sebelum perkakas listrik dihubungkan ke sumber daya listrik dan/atau baterai, diangkat, atau dibawa.** Membawa perkakas listrik dengan jari menempel pada tombol atau perkakas listrik dalam keadaan hidup dapat memicu kecelakaan.
- ▶ **Singkirkan kunci penyetal atau kunci pas sebelum menghidupkan perkakas listrik.** Perkakas atau kunci pas yang masih menempel pada komponen perkakas listrik yang berputar dapat menyebabkan cedera.
- ▶ **Jangan melampaui batas. Berdirilah secara mantap dan selalu jaga keseimbangan.** Hal ini akan memberikan kontrol yang lebih baik terhadap perkakas listrik pada situasi yang tak terduga.
- ▶ **Kenakan pakaian dengan wajar. Jangan mengenakan perhiasan atau pakaian yang longgar. Jauhkan rambut dan pakaian dari komponen yang bergerak.** Pakaian yang longgar, rambut panjang, atau perhiasan dapat tersangkut dalam komponen yang bergerak.
- ▶ **Jika disediakan perangkat untuk sambungan pengisapan debu dan alat pengumpulan, pastikan perangkat tersebut terhubung dan digunakan dengan benar.** Penggunaan alat pengumpulan dapat mengurangi bahaya yang disebabkan oleh debu.
- ▶ **Jangan berpuas diri dan mengabaikan prinsip keselamatan karena terbiasa mengoperasikan perkakas.** Tindakan yang kurang hati-hati dapat mengakibatkan cedera serius dalam waktu sepersekian detik.

Penggunaan dan pemeliharaan perkakas listrik

- ▶ **Jangan memaksakan perkakas listrik. Gunakan perkakas listrik yang sesuai untuk pekerjaan yang dilakukan.** Perkakas listrik yang sesuai akan bekerja dengan lebih baik dan aman sesuai tujuan penggunaan.
- ▶ **Jangan gunakan perkakas listrik dengan switch yang tidak dapat dioperasikan.** Perkakas listrik yang

switchnya yang tidak berfungsi dapat menimbulkan bahaya dan harus diperbaiki.

- ▶ **Lepaskan steker dari sumber listrik dan/atau lepas baterai, jika dapat dilepaskan dari perkakas listrik sebelum menyetal, mengganti aksesoris, atau menyimpan perkakas listrik.** Tindakan preventif akan mengurangi risiko menghidupkan perkakas listrik secara tidak disengaja.
- ▶ **Jauhkan dan simpan perkakas listrik dari jangkauan anak-anak dan jangan biarkan orang-orang yang tidak mengetahui cara menggunakan perkakas listrik, mengoperasikan perkakas listrik.** Perkakas listrik dapat membahayakan jika digunakan oleh orang-orang yang tidak terlatih.
- ▶ **Lakukan pemeliharaan perkakas listrik dan aksesoris. Periksa komponen yang bergerak apabila tidak lurus atau terikat, kerusakan komponen, dan kondisi lain yang dapat mengganggu pengoperasian perkakas listrik. Apabila rusak, perbaiki perkakas listrik sebelum digunakan.** Kecelakaan sering terjadi karena perkakas listrik tidak dirawat dengan baik.
- ▶ **Jaga ketajaman dan kebersihan alat.** Alat pemotong dengan pisau pemotong yang tajam dan dirawat dengan baik tidak akan mudah tersangkut dan lebih mudah dikendalikan.
- ▶ **Gunakan perkakas listrik, aksesoris, dan komponen perkakas dll sesuai dengan petunjuk ini, dengan mempertimbangkan kondisi kerja dan pekerjaan yang akan dilakukan.** Penggunaan perkakas listrik untuk tujuan berbeda dari fungsinya dapat menyebabkan situasi yang berbahaya.
- ▶ **Jaga gagang dan permukaan genggam agar tetap kering, bersih, dan bebas dari minyak dan lemak.** Gagang dan permukaan genggam yang licin tidak menjamin keamanan kerja dan kontrol alat yang baik pada situasi yang tidak terduga.

Penggunaan dan pemeliharaan perkakas baterai

- ▶ **Isi ulang daya hanya dengan pengisi daya yang ditentukan oleh produsen.** Pengisi daya yang sesuai untuk satu jenis set baterai dapat menyebabkan risiko kebakaran apabila digunakan dengan set baterai lain.
- ▶ **Hanya gunakan perkakas listrik dengan set baterai yang dirancang khusus.** Penggunaan set baterai lain dapat menyebabkan risiko cedera dan kebakaran.
- ▶ **Apabila set baterai tidak digunakan, jauhkan dari benda logam lainnya, seperti klip kertas, koin, kunci, paku, sekrup, atau benda logam kecil lainnya yang dapat membuat sambungan dari satu terminal ke terminal lainnya.** Memendekkan terminal baterai dapat menyebabkan kebakaran atau api.
- ▶ **Cairan dapat keluar dari baterai jika baterai tidak digunakan dengan benar; hindari kontak. Jika terjadi kontak secara tidak disengaja, bilas dengan air. Jika cairan mengenai mata, segera hubungi bantuan medis.** Cairan yang keluar dari baterai dapat menyebabkan iritasi atau luka bakar.

- ▶ **Jangan gunakan set baterai atau perkakas yang rusak atau telah dimodifikasi.** Baterai yang rusak atau telah dimodifikasi dapat menimbulkan kejadian yang tak terduga seperti kebakaran, ledakan, atau risiko cedera.
- ▶ **Jangan meletakkan set baterai atau perkakas di dekat api atau suhu tinggi.** Paparan terhadap api atau suhu di atas 130 °C dapat memicu ledakan.
- ▶ **Ikuti semua petunjuk pengisian daya dan jangan mengisi daya set baterai atau perkakas di luar rentang suhu yang ditentukan dalam petunjuk.** Pengisian daya yang tidak tepat atau di luar rentang suhu yang ditentukan dapat merusak baterai dan meningkatkan risiko kebakaran.

Servis

- ▶ **Minta teknisi berkualifikasi untuk menyervis perkakas listrik dengan hanya menggunakan suku cadang yang identik.** Dengan demikian, hal ini akan memastikan keamanan perkakas listrik.
- ▶ **Jangan pernah melakukan servis pada baterai yang telah rusak.** Servis baterai hanya boleh dilakukan oleh produsen atau penyedia servis resmi.

Petunjuk keselamatan untuk hammer

Petunjuk keselamatan untuk semua pengoperasian

- ▶ **Kenakan sumbat telinga.** Suara bising alat dapat menyebabkan berkurangnya pendengaran.
- ▶ **Gunakan handle tambahan, jika tersedia.** Kehilangan kendali dapat menyebabkan cedera.
- ▶ **Pegang perkakas listrik pada permukaan gagang isolator saat digunakan, karena aksesoris pemotong dapat saja bersentuhan dengan kabel yang tidak terlihat.** Aksesoris pemotong yang bersentuhan dengan kabel yang dialiri listrik dapat menyebabkan bagian logam perkakas listrik yang terbuka dialiri listrik sehingga berisiko mengakibatkan sengatan listrik pada operator.

Petunjuk keselamatan tambahan

- ▶ **Gunakanlah alat detektor logam yang cocok untuk mencari kabel dan pipa yang tidak terlihat atau hubungi perusahaan pengadaan setempat.** Sentuhan dengan kabel-kabel listrik dapat mengakibatkan api dan kontak listrik. Pipa gas yang dirusak dapat mengakibatkan ledakan. Pipa air yang dirusak mengakibatkan barang-barang menjadi rusak.
- ▶ **Sebelum meletakkan perkakas listrik, tunggulah hingga perkakas berhenti berputar.** Alat kerja dapat tersangkut dan menyebabkan perkakas listrik tidak dapat dikendalikan.
- ▶ **Gunakan alat kerja dengan aman.** Benda yang ditahan dalam alat pemegang atau basis lebih aman daripada benda yang dipegang dengan tangan.
- ▶ **Jangan menyentuh alat sisipan atau bagian housing yang berdekatan sesaat setelah pengoperasian.** Alat sisipan atau housing tersebut dapat menjadi sangat panas selama pengoperasian sehingga menyebabkan luka bakar.

- ▶ **Berhati-hatilah saat menghancurkan suatu objek dengan pahat.** Serpihan-serpihan yang jatuh dari material yang dihancurkan dapat mencederaikan Anda atau orang di sekitar Anda.
- ▶ **Asap dapat keluar apabila terjadi kerusakan atau penggunaan yang tidak tepat pada baterai. Baterai dapat terbakar atau meledak.** Biarkan udara segar mengalir masuk dan kunjungi dokter apabila mengalami gangguan kesehatan. Asap tersebut dapat mengganggu saluran pernafasan.
- ▶ **Jangan membuka baterai.** Ada bahaya terjadinya korsleting.
- ▶ **Baterai dapat rusak akibat benda-benda lancip, seperti jarum, obeng, atau tekanan keras dari luar.** Hal ini dapat menyebabkan terjadinya hubungan singkat internal dan baterai dapat terbakar, berasap, meledak, atau mengalami panas berlebih.
- ▶ **Hanya gunakan baterai pada produk dari produsen.** Hanya dengan cara ini, baterai dapat terlindung dari kelebihan muatan.



Lindungi baterai dari panas, misalnya juga dari paparan sinar matahari dalam waktu yang lama, api, kotoran, air dan kelembapan. Terdapat risiko ledakan dan korsleting.



- ▶ **Pegang erat perkakas listrik dengan kedua tangan selama mengoperasikannya dan pastikan Anda berdiri di posisi aman.** Gunakan perkakas listrik dengan kedua tangan secara hati-hati.

Simbol-simbol

Simbol-simbol berikut dapat membantu Anda dalam menggunakan perkakas listrik. Pelajari dan ingat simbol-simbol berikut beserta maknanya. Pengertian yang betul dari simbol-simbol ini bisa membantu Anda untuk menggunakan perkakas listrik dengan lebih baik dan aman.

Simbol dan artinya



Tarik selubung pengunci ke belakang untuk mengganti alat sisipan.



Untuk mengubah posisi pahat, dorong cincin penyetelan pahat ke depan lalu putar.

Spesifikasi produk dan performa



Bacalah semua petunjuk keselamatan dan petunjuk penggunaan. Kesalahan dalam menjalankan petunjuk keselamatan dan petunjuk penggunaan dapat mengakibatkan kontak listrik, kebakaran, dan/atau luka-luka yang berat.

Perhatikan ilustrasi yang terdapat pada sisi sampul panduan pengoperasian.

Tujuan penggunaan

Perkakas listrik ini cocok untuk pekerjaan memahat pada material beton, batu bata, batu dan aspal serta dengan menggunakan aksesoris yang sesuai, juga untuk menanam dan memadatkan.

Ilustrasi komponen

Penomoran ilustrasi komponen mengacu pada gambar perkakas listrik pada halaman grafis.

- (1) Kap pelindung debu
 - (2) Selongsong pengunci
 - (3) Ring untuk penyetelan pahat (Vario-Lock)
 - (4) Peredaman getaran
 - (5) Tombol pengunci untuk tombol on/off
 - (6) Gagang (permukaan genggam berisolator)
 - (7) Tombol on/off
 - (8) Baterai^{a)}
 - (9) Gagang tambahan (permukaan genggam berisolator)
 - (10) Lampu kerja
 - (11) Tombol pelepas baterai^{a)}
 - (12) Antarmuka Pengguna
 - (13) Display status perkakas listrik (Antarmuka Pengguna)
 - (14) Display suhu (Antarmuka Pengguna)
 - (15) Display mode pengoperasian 100% (Antarmuka Pengguna)
 - (16) Tombol untuk memilih mode pengoperasian (Antarmuka Pengguna)
 - (17) Display mode pengoperasian 70% (Antarmuka Pengguna)
 - (18) Indikator level pengisian daya baterai (Antarmuka Pengguna)
 - (19) Mur bergerigi untuk gagang tambahan
- a) **Aksesori ini tidak termasuk dalam lingkup pengiriman standar.**

Data teknis

Mesin palu berdaya baterai	GSH 18V-5
Nomor barang	3 611 J18 2..

Mesin palu berdaya baterai	GSH 18V-5	
Tegangan nominal	V=	18
Tingkat getaran ^{A)}	min ⁻¹	3050
Dudukan alat kerja		SDS max
Berat ^{B)}	kg	5,6–6,6
Suhu sekitar yang direkomendasikan saat pengisian daya	°C	0 ... +35
Suhu sekitar yang diizinkan selama pengoperasian ^{C)} dan penyimpanan	°C	-20 ... +50
Baterai yang kompatibel		GBA 18V... ProCORE18V...
Baterai yang direkomendasikan untuk performa penuh		ProCORE18V... ≥ 5,5 Ah
Perangkat pengisi daya yang direkomendasikan		GAL 18... GAX 18... GAL 36...

A) diukur pada suhu 20–25°C dengan baterai **ProCORE18V 12.0Ah**

B) tergantung pada baterai yang digunakan

C) daya terbatas pada suhu < 0°C

Nilai dapat berbeda-beda bergantung pada produk dan mungkin tunduk pada kondisi lingkungan serta penggunaan. Informasi lebih lanjut pada www.bosch-professional.com/wac.

Baterai

Bosch menjual perkakas listrik berdaya baterai bahkan tanpa baterai yang disertakan. Keterangan apakah lingkup pengiriman perkakas listrik termasuk dengan baterai dapat ditemukan di kemasan.

Mengisi daya baterai

► **Hanya gunakan pengisi daya yang tercantum pada data teknis.** Hanya pengisi daya ini yang sesuai dengan baterai li-ion yang digunakan pada perkakas listrik Anda.

Catatan: Baterai lithium-ion dikirim dalam keadaan terisi daya sebagian berdasarkan peraturan transportasi internasional. Untuk menjamin daya penuh dari baterai, isi daya baterai hingga penuh sebelum menggunakannya untuk pertama kali.

Memasang baterai

Masukkan baterai yang telah terisi daya ke dalam dudukan baterai hingga baterai terkunci.



Melepas baterai

Untuk melepas baterai, tekan tombol pelepas baterai dan keluarkan baterai. **Jangan melepas baterai dengan paksa.** Baterai memiliki 2 level penguncian untuk mencegah baterai terlepas saat tombol pelepas baterai ditekan secara tidak sengaja. Selama baterai terpasang di dalam perkakas listrik, baterai ditahan posisinya menggunakan pegas.

Indikator level pengisian daya baterai

Catatan: Tidak semua jenis baterai memiliki indikator level pengisian daya.

LED berwarna hijau dari indikator level pengisian daya baterai menampilkan level pengisian daya baterai. Atas dasar keselamatan, permintaan level pengisian daya baterai hanya dapat dilakukan saat perkakas listrik dalam keadaan berhenti.

Tekan tombol indikator level pengisian daya baterai  atau  untuk menampilkan level pengisian baterai. Hal ini juga dapat dilakukan saat baterai dilepas.

Apabila LED tidak menyala setelah menekan tombol indikator level pengisian daya, terdapat kerusakan pada baterai dan baterai harus diganti.

Level pengisian daya baterai juga ditampilkan pada User Interface (lihat „Antarmuka pengguna“, Halaman 64).

Tipe baterai GBA 18V...



LED	Kapasitas
Lampu permanen hijau 3 ×	60–100%
Lampu permanen hijau 2 ×	30–60%
Lampu permanen hijau 1 ×	5–30%
Lampu berkedip hijau 1 ×	0–5%

Tipe baterai ProCORE18V...



LED	Kapasitas
Lampu permanen hijau 5 ×	80–100%
Lampu permanen hijau 4 ×	60–80%
Lampu permanen hijau 3 ×	40–60%
Lampu permanen hijau 2 ×	20–40%
Lampu permanen hijau 1 ×	5–20%
Lampu berkedip hijau 1 ×	0–5%

Petunjuk untuk penanganan baterai yang optimal

Lindungilah baterai dari kelembapan dan air.

Simpan baterai hanya pada rentang suhu antara –20 °C hingga 50 °C. Jauhanlah meletakkan baterai di dalam mobil, misalnya pada musim panas.

Bersihkan lubang ventilasi baterai dengan kuas yang lunak, bersih dan kering secara berkala.

Waktu pengoperasian yang berkurang secara signifikan setelah pengisian daya menunjukkan bahwa baterai telah habis dan perlu diganti.

Perhatikan petunjuk untuk membuang.

Cara memasang

- **Lepaskan baterai dari perkakas listrik sebelum melakukan pekerjaan apa pun pada perkakas listrik (misalnya perawatan, penggantian alat kerja, dll.).**

Terdapat risiko cedera apabila tombol on/off ditekan secara tidak sengaja.

Gagang tambahan (lihat gambar A)

- **Gunakanlah perkakas listrik hanya dengan gagang tambahan (9).**

Gagang tambahan (9) dapat digerakkan dan/atau digeser sesuai keinginan untuk mencapai posisi kerja yang aman dan tidak membuat cepat lelah.

- Lepaskan mur bergerigi (19), gerakkan dan/atau geser gagang tambahan (9) ke posisi yang diinginkan dan kencangkan kembali mur bergerigi (19).

Mengganti alat kerja

Dengan dudukan alat kerja SDS max, alat sisipan dapat diganti dengan mudah dan nyaman tanpa menggunakan alat tambahan.

Kap pelindung debu (1) mencegah masuknya debu ke dalam dudukan alat kerja selama pengoperasian. Saat memasang alat kerja, pastikan kap pelindung debu (1) tidak rusak.

- **Kap pelindung debu yang rusak perlu segera diganti. Kami anjurkan supaya penggantian dilakukan oleh Service Center Bosch.**

Memasang alat sisipan (lihat gambar B)

- Bersihkan ujung alat sisipan dan lumasi dengan gemuk sedikit.
- Dorong selubung pengunci (2) ke belakang dan pasang alat sisipan ke dalam dudukan perkakas dengan cara diputar. Lepaskan kembali selubung pengunci (2) untuk mengunci alat sisipan.
- Periksa penguncian dengan menarik perkakas.

Melepaskan alat sisipan (lihat gambar C)

- Dorong selubung pengunci (2) ke belakang dan lepaskan alat sisipan.

Penggunaan

- **Lepaskan baterai dari perkakas listrik sebelum melakukan pekerjaan apa pun pada perkakas listrik (misalnya perawatan, penggantian alat kerja, dll.).**

Terdapat risiko cedera apabila tombol on/off ditekan secara tidak sengaja.

Cara penggunaan

Mengaktifkan/menonaktifkan perkakas listrik

- Untuk **menggunakan** perkakas listrik, tekan dan tahan tombol on/off (7).
- Untuk **mengunci** tombol on/off (7) yang telah ditekan, tekan tombol pengunci (5).

- Untuk **menonaktifkan** perkakas listrik, lepaskan tombol on/off **(7)** jika tombol dikunci dengan tombol pengunci **(5)**, tekan singkat tombol on/off **(7)** lalu lepaskan.

Pada suhu yang rendah, perkakas listrik akan mencapai daya dan performa maksimalnya setelah beberapa saat.

Kunci pengaman

- Perkakas listrik dilengkapi dengan kunci pengaman untuk mencegah penghidupan yang tidak disengaja.

Mengaktifkan kunci pengaman:

- Saat listrik mati, tekan tombol pengunci **(5)**. Dengan begitu, tombol on/off **(7)** akan dikunci sehingga penghidupan yang tidak disengaja dapat dihindari.

Menonaktifkan kunci pengaman:

- Tekan tombol pengunci **(5)** yang terkunci. Dengan begitu, tombol on/off **(7)** akan terbuka kuncinya dan perkakas listrik dapat dioperasikan.

Lampu kerja

Lampu kerja **(10)** akan menyala ketika tombol on/off **(7)** ditekan singkat atau ditekan lama dan membantu menerangi area kerja saat kondisi pencahayaan tidak mendukung.

Menyetel tingkat getaran

Tingkat getaran saat perkakas listrik dihidupkan dapat diatur tanpa henti bergantung pada seberapa lama tombol on/off **(7)** ditekan.

Jika tombol on/off **(7)** ditekan singkat, tingkat getaran akan berkurang. Seiring dengan meningkatnya tekanan, tingkat getaran juga akan meningkat.

Mengubah posisi pahat (Vario-Lock) (lihat gambar D)

Pahat dapat dikunci pada **12** posisi. Dengan demikian, posisi kerja yang optimal dapat diperoleh.

- Masukkan pahat ke dalam dudukan alat kerja.
- Dorong ring untuk penyetelan pahat **(3)** ke depan dan putar pahat dengan ring untuk penyetelan pahat **(3)** ke posisi yang diinginkan.
- Lepaskan ring untuk penyetelan pahat **(3)** dan putar pahat hingga mengunci.

Antarmuka pengguna

User Interface **(12)** digunakan untuk memilih mode pengoperasian serta untuk display status perkakas listrik.

Display status

Display status perkakas listrik (13)	Arti	Solusi
-	Perkakas listrik dimatikan	-
hijau	Perkakas listrik dihidupkan dan siap digunakan	-
kuning	Suhu kritis tercapai atau baterai hampir habis	Operasikan perkakas listrik pada posisi idle dan biarkan mendingin atau segera ganti atau isi daya baterai
merah	Perkakas listrik terlalu panas atau baterai habis	Biarkan perkakas listrik menjadi dingin atau ganti atau isi daya baterai
	Baterai terlalu lemah	Isi daya baterai atau gunakan jenis baterai yang direkomendasikan
	Gangguan umum	- Matikan atau hidupkan kembali perkakas listrik atau lepas baterai lalu pasang kembali Jika gangguan berlanjut: - Bawalah perkakas listrik ke layanan pelanggan

Indikator level pengisian daya baterai (User Interface) (18)	Arti/penyebab	Solusi
hijau (2 hingga 5 bar)	Baterai telah terisi daya	-
kuning (1 bar)	Baterai hampir kosong	Segera ganti atau isi daya baterai
merah (1 bar)	Baterai kosong	Ganti atau isi daya baterai

Display suhu (14)	Arti/penyebab	Solusi
Kuning	Suhu pengoperasian baterai atau perkakas listrik meningkat secara signifikan, kinerja berkurang	Biarkan perkakas listrik menjadi dingin atau ganti baterai yang terlalu panas
Merah	Suhu pengoperasian baterai atau perkakas listrik terlampaui, perkakas listrik dimatikan untuk perlindungan	Biarkan perkakas listrik menjadi dingin atau ganti baterai yang terlalu panas

Memilih mode pengoperasian

Tekan tombol **(16)** beberapa kali untuk memilih mode pengoperasian hingga mode pengoperasian yang diinginkan menyala.

	Fungsi
Display mode pengoperasian 100% (15)	Mode pengoperasian 100% (dengan soft start Adaptive Speed Control): peningkatan terkontrol hingga performa maksimal masa pakai baterai lebih pendek
Display mode pengoperasian 70% (17)	Mode pengoperasian 70% (dengan soft start Adaptive Speed Control): peningkatan terkontrol hingga daya yang dikurangi untuk mengerjakan material yang lunak; masa pakai baterai lebih lama

Petunjuk pemakaian

Mengasah pahat

Hanya dengan pahat yang tajam dapat diperoleh hasil kerja yang bagus, karena itu asahlah pahat dengan tepat waktu. Hal ini akan membuat perkakas menjadi tahan lama dan menciptakan hasil yang bagus.

Pengerindaan ulang

Asahkan pahat pada mata gerinda, misalnya korundum, sambil dibasahi dengan air secara kontinu. Perhatikanlah supaya pada ujung pahat tidak tampak warna suhu karena kekerasan pahat bisa berkurang.

Untuk melakukan **penempaan**, panaskan pahat pada suhu 850 hingga 1050 °C (merah cerah hingga kuning).

Untuk melakukan **pengerasan**, panaskan pahat pada suhu sekitar 900 °C lalu dinginkan ke dalam minyak. Selanjutnya, masukkan ke dalam oven selama sekitar satu jam pada suhu 320 °C (warna suhu biru terang).

Kontrol kecepatan putaran elektronik (Adaptive Speed Control)



Untuk kontrol yang lebih baik dan penggunaan yang tepat, perkakas listrik dimulai dengan kecepatan putaran rendah dan kemudian akan meningkat ke kecepatan yang diatur.

Kontrol kecepatan putaran elektronik dimulai secara otomatis ketika pahat bersentuhan dengan area kerja saat digunakan.

Kecepatan putaran berkurang seiring dengan jeda waktu ketika pahat dijauhkan dari area kerja.

Peredaman getaran



Peredaman getaran yang terintegrasi akan mengurangi getaran yang muncul.

- ▶ **Hentikan penggunaan perkakas listrik jika elemen peredaman rusak.**

Perawatan dan servis

Perawatan dan pembersihan

- ▶ **Lepaskan baterai dari perkakas listrik sebelum melakukan pekerjaan apa pun pada perkakas listrik (misalnya perawatan, penggantian alat kerja, dll.).** Terdapat risiko cedera apabila tombol on/off ditekan secara tidak sengaja.
- ▶ **Perkakas listrik dan lubang ventilasi harus selalu dibersihkan agar perkakas dapat digunakan dengan baik dan aman.**
- ▶ **Tutup pelindung debu yang rusak harus segera diganti. Direkomendasikan untuk melakukannya di layanan pelanggan Bosch.**

Melumasi perkakas listrik

Perkakas listrik telah diberi pelumas dan segera siap digunakan.

Gemuk ini hanya perlu diganti jika perkakas listrik sedang diservis atau diperbaiki oleh Service Center perkakas listrik Bosch resmi. Untuk itu, gunakan gemuk yang disediakan oleh Bosch.

Layanan pelanggan dan konsultasi penggunaan

Layanan pelanggan Bosch menjawab semua pertanyaan Anda tentang reparasi dan perawatan serta tentang suku cadang produk ini. Gambaran teknis (exploded view) dan informasi mengenai suku cadang dapat ditemukan di:

www.bosch-pt.com

Tim konsultasi penggunaan Bosch akan membantu Anda menjawab pertanyaan seputar produk kami beserta aksesorinya.

Jika Anda hendak menanyakan sesuatu atau memesan suku cadang, selalu sebutkan nomor model yang terdiri dari 10 angka dan tercantum pada label tipe produk.

Indonesia

PT Robert Bosch Indonesia
 Arkadia Green Park Tower G – 7th floor
 Jl. Let. Jend. TB. Simatupang Kav.88
 Jakarta 12520
 Tel.: (021) 3005 5800
 Fax: (021) 3005 5801
 E-Mail: boschpowertools@id.bosch.com
 www.bosch-pt.co.id

Alamat layanan lainnya dapat ditemukan di:

www.bosch-pt.com/serviceaddresses

Transpor

Baterai li-ion yang direkomendasikan tunduk pada persyaratan terkait peraturan tentang bahan-bahan yang berbahaya. Baterai dapat diangkat di jalan oleh penggunanya tanpa pembatasan lebih lanjut.

Pada pengiriman oleh pihak ketiga (misalnya transportasi udara atau perusahaan ekspedisi), persyaratan terkait pengemasan dan pemberian tanda harus diperhatikan. Dalam hal ini, diperlukan konsultasi dengan ahli bahan-bahan berbahaya saat menyiapkan barang pengiriman. Kirimkan baterai hanya jika housing-nya tidak rusak. Tutup bagian-bagian yang terbuka dan kemas baterai agar tidak bergerak-gerak di dalam kemasan. Taatilah peraturan-peraturan nasional lainnya yang mungkin lebih rinci yang berlaku di negara Anda.

Cara membuang

Perkakas listrik, baterai, aksesoris dan kemasan harus didaur ulang dengan cara yang ramah lingkungan.



Jangan membuang perkakas listrik, aki/baterai ke dalam sampah rumah tangga!

Baterai:**Li-ion:**

Perhatikanlah petunjuk-petunjuk dalam bab Transpor (lihat „Transpor“, Halaman 66).

Tiếng Việt**Hướng dẫn an toàn****Hướng dẫn an toàn chung cho dụng cụ điện**

⚠ CẢNH BÁO Hãy đọc toàn bộ các cảnh báo an toàn, hướng dẫn, hình ảnh và thông số kỹ thuật được cung cấp cho dụng cụ điện cầm tay này. Không tuân thủ

mọi hướng dẫn được liệt kê dưới đây có thể bị điện giật, gây cháy và /hay bị thương tật nghiêm trọng.

Hãy giữ tất cả tài liệu về cảnh báo và hướng dẫn để tham khảo về sau.

Thuật ngữ "dụng cụ điện cầm tay" trong phần cảnh báo là đề cập đến sự sử dụng dụng cụ điện cầm tay của bạn, loại sử dụng điện nguồn (có dây cắm điện) hay vận hành bằng pin (không dây cắm điện).

Khu vực làm việc an toàn

- ▶ **Giữ nơi làm việc sạch và đủ ánh sáng.** Nơi làm việc bừa bộn và tối tăm dễ gây ra tai nạn.
- ▶ **Không vận hành dụng cụ điện cầm tay trong môi trường dễ gây nổ, chẳng hạn như nơi có chất lỏng dễ cháy, khí đốt hay rác.** Dụng cụ điện cầm tay tạo ra các tia lửa nên có thể làm rác bén cháy hay bốc khói.
- ▶ **Không để trẻ em hay người đến xem đứng gần khi vận hành dụng cụ điện cầm tay.** Sự phân tâm có thể gây ra sự mất điều khiển.

An toàn về điện

- ▶ **Phích cắm của dụng cụ điện cầm tay phải thích hợp với ổ cắm. Không bao giờ được cải biến lại phích cắm dưới mọi hình thức. Không được sử dụng phích tiếp hợp nối tiếp đất (dây mát).** Phích cắm nguyên bản và ổ cắm đúng loại sẽ làm giảm nguy cơ bị điện giật.
- ▶ **Tránh không để thân thể tiếp xúc với đất hay các vật có bề mặt tiếp đất như đường ống, lò sưởi, hàng rào và tủ lạnh.** Có nhiều nguy cơ bị điện giật hơn nếu cơ thể bạn bị tiếp hay nối đất.
- ▶ **Không được để dụng cụ điện cầm tay ngoài mưa hay ở tình trạng ẩm ướt.** Nước vào máy sẽ làm tăng nguy cơ bị điện giật.
- ▶ **Không được lạm dụng dây dẫn điện. Không bao giờ được nắm dây dẫn để xách, kéo hay rút phích cắm dụng cụ điện cầm tay. Không để dây gần nơi có nhiệt độ cao, dầu nhớt, vật nhọn bén và bộ phận chuyển động.** Làm hỏng hay cuộn rối dây dẫn làm tăng nguy cơ bị điện giật.
- ▶ **Khi sử dụng dụng cụ điện cầm tay ngoài trời, dùng dây nối thích hợp cho việc sử dụng ngoài trời.** Sử dụng dây nối thích hợp cho việc sử dụng ngoài trời làm giảm nguy cơ bị điện giật.
- ▶ **Nếu việc sử dụng dụng cụ điện cầm tay ở nơi ẩm ướt là không thể tránh được, dùng thiết bị ngắt mạch tự động (RCD) bảo vệ nguồn.** Sử dụng thiết bị ngắt mạch tự động RCD làm giảm nguy cơ bị điện giật.

An toàn cá nhân

- ▶ **Hãy tỉnh táo, biết rõ mình đang làm gì và hãy sử dụng ý thức khi vận hành dụng cụ điện cầm tay. Không sử dụng dụng cụ điện cầm tay khi đang mệt mỏi hay đang bị tác động do chất gây nghiện, rượu hay dược phẩm gây ra.** Một thoáng mất tập trung khi đang vận hành

dụng cụ điện cầm tay có thể gây thương tích nghiêm trọng cho bản thân.

- ▶ **Sử dụng trang bị bảo hộ cá nhân. Luôn luôn đeo kính bảo vệ mắt.** Trang bị bảo hộ như khẩu trang, giày chống trượt, nón bảo hộ, hay dụng cụ bảo vệ tai khi được sử dụng đúng nơi đúng chỗ sẽ làm giảm nguy cơ thương tật cho bản thân.
- ▶ **Phòng tránh máy khởi động bất ngờ. Bảo đảm công tắc máy ở vị trí tắt trước khi cắm vào nguồn điện và/hay lắp pin vào, khi nhấn máy lên hay khi mang xách máy.** Ngáng ngón tay vào công tắc máy để xách hay kích hoạt dụng cụ điện cầm tay khi công tắc ở vị trí mở để dẫn đến tai nạn.
- ▶ **Lấy mọi chìa hay khóa điều chỉnh ra trước khi mở điện dụng cụ điện cầm tay.** Khóa hay chìa còn gắn dính vào bộ phận quay của dụng cụ điện cầm tay có thể gây thương tích cho bản thân.
- ▶ **Không rướn người. Luôn luôn giữ tư thế đứng thích hợp và thẳng bằng.** Điều này tạo cho việc điều khiển dụng cụ điện cầm tay tốt hơn trong mọi tình huống bất ngờ.
- ▶ **Trang phục thích hợp. Không mặc quần áo rộng lủng lẳng hay mang trang sức. Giữ tóc và quần áo xa khỏi các bộ phận chuyển động.** Quần áo rộng lủng lẳng, đồ trang sức hay tóc dài có thể bị cuốn vào các bộ phận chuyển động.
- ▶ **Nếu có các thiết bị đi kèm để nối máy hút bụi và các phụ kiện khác, bảo đảm các thiết bị này được nối và sử dụng tốt.** Việc sử dụng các thiết bị gom hút bụi có thể làm giảm các độc hại liên quan đến bụi gây ra.
- ▶ **Không để thói quen do sử dụng thường xuyên dụng cụ khiến bạn trở nên chủ quan và bỏ qua các quy định an toàn dụng cụ.** Một hành vi bất cẩn có thể gây ra thương tích nghiêm trọng chỉ trong tích tắc.

Sử dụng và bảo dưỡng dụng cụ điện cầm tay

- ▶ **Không được ép máy. Sử dụng dụng cụ điện cầm tay đúng loại theo đúng ứng dụng của bạn.** Dụng cụ điện cầm tay đúng chức năng sẽ làm việc tốt và an toàn hơn theo đúng tiến độ mà máy được thiết kế.
- ▶ **Không sử dụng dụng cụ điện cầm tay nếu như công tắc không tắt và mở được.** Bất kỳ dụng cụ điện cầm tay nào mà không thể điều khiển được bằng công tắc là nguy hiểm và phải được sửa chữa.
- ▶ **Rút phích cắm ra khỏi nguồn điện và/hay pin ra khỏi dụng cụ điện cầm tay nếu có thể tháo được, trước khi tiến hành bất kỳ điều chỉnh nào, thay phụ kiện, hay cất dụng cụ điện cầm tay.** Các biện pháp ngăn ngừa như vậy làm giảm

nguy cơ dụng cụ điện cầm tay khởi động bất ngờ.

- ▶ **Cất giữ dụng cụ điện cầm tay không dùng tới nơi trẻ em không lấy được và không cho người chưa từng biết dụng cụ điện cầm tay hay các hướng dẫn này sử dụng dụng cụ điện cầm tay.** Dụng cụ điện cầm tay nguy hiểm khi ở trong tay người chưa được chỉ cách sử dụng.
- ▶ **Bảo quản dụng cụ điện cầm tay và các phụ kiện. Kiểm tra xem các bộ phận chuyển động có bị sai lệch hay kẹt, các bộ phận bị rạn nứt và các tình trạng khác có thể ảnh hưởng đến sự vận hành của máy. Nếu bị hư hỏng, phải sửa chữa máy trước khi sử dụng.** Nhiều tai nạn xảy ra do bảo quản dụng cụ điện cầm tay tồi.
- ▶ **Giữ các dụng cụ cắt bén và sạch.** Bảo quản đúng cách các dụng cụ cắt có cạnh cắt bén làm giảm khả năng bị kẹt và dễ điều khiển hơn.
- ▶ **Sử dụng dụng cụ điện cầm tay, phụ kiện, đầu cài v. v., đúng theo các chỉ dẫn này, hãy lưu ý đến điều kiện làm việc và công việc phải thực hiện.** Sự sử dụng dụng cụ điện cầm tay khác với mục đích thiết kế có thể tạo nên tình huống nguy hiểm.
- ▶ **Giữ tay cầm và bề mặt nắm luôn khô ráo, sạch sẽ và không dính dầu mỡ.** Tay cầm và bề mặt nắm trơn trượt không đem lại thao tác an toàn và kiểm soát dụng cụ trong các tình huống bất ngờ.

Sử dụng và bảo quản dụng cụ dùng pin

- ▶ **Chỉ được sạc pin lại với bộ nạp điện do nhà sản xuất chỉ định.** Bộ nạp điện thích hợp cho một loại pin có thể gây nguy cơ cháy khi sử dụng cho một loại pin khác.
- ▶ **Chỉ sử dụng dụng cụ điện cầm tay với loại pin được thiết kế đặc biệt dành riêng cho máy.** Sử dụng bất cứ loại pin khác có thể dẫn đến thương tật hay cháy.
- ▶ **Khi không sử dụng pin, để cách xa các vật bằng kim loại như kẹp giấy, tiền xu, chìa khóa, đinh, ốc vít hay các đồ vật kim loại nhỏ khác, thứ có thể tạo sự nối tiếp từ một đầu cực với một đầu cực khác.** Sự chập mạch của các đầu cực với nhau có thể gây bỏng hay cháy.
- ▶ **Bảo quản ở tình trạng tối, dung dịch từ pin có thể tứa ra; tránh tiếp xúc. Nếu vô tình chạm phải, hãy xối nước để rửa. Nếu dung dịch vào mắt, cần thêm sự hỗ trợ của y tế.** Dung dịch tiết ra từ pin có thể gây ngứa hay bỏng.
- ▶ **Không được sử dụng bộ pin hoặc dụng cụ đã bị hư hại hoặc bị thay đổi.** Pin hỏng hoặc bị thay đổi có thể gây ra những tác động không lường trước được như cháy nổ hoặc nguy cơ thương tích.

- ▶ **Không đặt bộ pin hoặc dụng cụ ở gần lửa hoặc nơi quá nhiệt.** Tiếp xúc với lửa hoặc nhiệt độ cao trên 130 °C có thể gây nổ.
- ▶ **Tuân thủ tất cả các hướng dẫn nạp và không nạp bộ pin hay dụng cụ ở bên ngoài phạm vi nhiệt độ đã được quy định trong các hướng dẫn.** Nạp không đúng cách hoặc ở nhiệt độ ngoài phạm vi nạp đã quy định có thể làm hư hại pin và gia tăng nguy cơ cháy.

Bảo dưỡng

- ▶ **Đưa dụng cụ điện cầm tay của bạn đến thợ chuyên môn để bảo dưỡng, chỉ sử dụng phụ tùng đúng chủng loại để thay.** Điều này sẽ đảm bảo sự an toàn của máy được giữ nguyên.
- ▶ **Không bao giờ sửa chữa các bộ pin đã hư hại.** Chỉ cho phép nhà sản xuất hoặc các nhà cung cấp dịch vụ có ủy quyền thực hiện dịch vụ sửa chữa cho các bộ pin.

Hướng dẫn an toàn về búa

Hướng dẫn an toàn cho mọi hoạt động

- ▶ **Đeo bảo vệ tai.** Tiếp xúc với tiếng ồn có thể làm mất khả năng nghe.
- ▶ **Sử dụng (các) tay cầm phụ, nếu được cung cấp kèm theo dụng cụ.** Mất điều khiển có thể gây ra thương tích cho người.
- ▶ **Chỉ cầm dụng cụ điện tại các bề mặt cầm nắm có cách điện, khi thực hiện một thao tác tại vị trí mà phụ kiện cắt có thể tiếp xúc với dây điện ngầm hoặc chính dây điện của thiết bị.** Phụ kiện cắt tiếp xúc với dây có điện có thể làm cho các phần kim loại hở của dụng cụ điện cầm tay có điện và có thể gây ra điện giật cho người vận hành.

Các cảnh báo phụ thêm

- ▶ **Dùng thiết bị dò tìm thích hợp để xác định nếu có các công trình công cộng lắp đặt ngầm trong khu vực làm việc hay liên hệ với Cty công trình công cộng địa phương để nhờ hỗ trợ.** Dụng cụ chạm đường dẫn điện có thể gây ra hỏa hoạn và điện giật. Làm hư hại đường dẫn khí ga có thể gây nổ. Làm thủng ống dẫn nước có thể làm hư hại tài sản hay có thể gây ra điện giật.
- ▶ **Luôn luôn đợi cho máy hoàn toàn ngừng hẳn trước khi đặt xuống.** Dụng cụ lắp vào máy có thể bị kẹt chặt dẫn đến việc dụng cụ điện cầm tay bị mất điều khiển.
- ▶ **Kẹp chặt vật gia công.** Vật gia công được kẹp bằng một thiết bị kẹp hay bằng ê-tô thì vững chắc hơn giữ bằng tay.
- ▶ **Không chạm vào bất kỳ dụng cụ hoặc bộ phận vỏ gắn kể nào ngay sau khi vận hành.** Chúng có thể rất nóng trong quá trình vận hành và gây bỏng.

- ▶ **Cẩn thận với công việc phá dỡ bằng máy đục.** Các mảnh vỡ của vật liệu phá dỡ rơi xuống có thể gây thương tích cho người xung quanh hoặc chính bạn.
- ▶ **Trong trường hợp pin bị hỏng hay sử dụng sai cách, hơi nước có thể bốc ra. Pin có thể cháy hoặc nổ.** Hãy làm cho thông thoáng khí và trong trường hợp bị đau phải nhờ y tế chữa trị. Hơi nước có thể gây ngứa hệ hô hấp.
- ▶ **Không được tháo pin ra.** Nguy cơ bị chập mạch.
- ▶ **Pin có thể bị hư hại bởi các vật dụng nhọn như đinh hay tuốc-nơ-vít hoặc bởi các tác động lực từ bên ngoài.** Nó có thể dẫn tới đoản mạch nội bộ và làm pin bị cháy, bốc khói, phát nổ hoặc quá nóng.
- ▶ **Chỉ sử dụng pin trong các sản phẩm của nhà sản xuất.** Chỉ bằng cách này, pin sẽ được bảo vệ tránh nguy cơ quá tải.



Bảo vệ pin không để bị làm nóng, ví dụ, chống để lâu dài dưới ánh nắng gay gắt, lửa, chất bẩn, nước, và sự ẩm ướt. Có nguy cơ nổ và chập mạch.



- ▶ **Giữ máy thật chắc bằng cả hai tay trong khi làm việc và luôn luôn giữ tư thế đứng cho thích hợp và cân bằng.** Dùng hai tay để điều khiển máy thì an toàn hơn.

Các Biểu Tượng

Các biểu tượng sau đây có khả năng diễn đạt ý nghĩa về cách sử dụng dụng cụ điện cầm tay của bạn. Xin vui lòng ghi nhận các biểu tượng và ý nghĩa của chúng. Sự hiểu đúng các biểu tượng sẽ giúp bạn sử dụng máy một cách tốt và an toàn hơn.

Biểu tượng và các ý nghĩa của chúng



Để thay dụng cụ gài, hãy kéo vòng khóa ra sau.



Để thay đổi vị trí đục hãy đẩy vòng điều chỉnh mũi đục về trước và xoay.



Mô Tả Sản Phẩm và Đặc Tính Kỹ Thuật



Đọc kỹ mọi cảnh báo an toàn và mọi hướng dẫn. Không tuân thủ mọi cảnh báo và hướng dẫn được liệt kê dưới đây

có thể bị điện giật, gây cháy và / hay bị thương tật nghiêm trọng.

Xin lưu ý các hình minh họa trong phần trước của hướng dẫn vận hành.

Sử dụng đúng cách

Máy được thiết kế để đục bê-tông, gạch, công trình nề và nhựa đường cũng như để khoét sâu vào hay đâm nén khi ta sử dụng các phụ kiện tương hợp.

Các bộ phận được minh họa

Việc đánh số các thành phần đã minh họa liên quan đến mô tả dụng cụ điện trên trang hình ảnh.

- (1) Chụp ngăn bụi
- (2) Vòng khóa
- (3) Vòng điều chỉnh mũi đục (Vario-Lock)
- (4) Bộ phận giảm chấn
- (5) Nút khoá giữ chế độ tự-chạy của công tắc bật / tắt
- (6) Tay nắm (bề mặt nắm cách điện)
- (7) Công tắc Tắt/Mở
- (8) Pin^{a)}
- (9) Tay nắm phụ (có bề mặt nắm cách điện)
- (10) Đèn làm việc
- (11) Nút tháo pin^{a)}
- (12) Giao diện người dùng
- (13) Hiển thị Trạng thái dụng cụ điện (Giao diện người dùng)
- (14) Hiển thị nhiệt độ (Giao diện người dùng)
- (15) Hiển thị chế độ làm việc 100% (Giao diện người dùng)
- (16) Nút chọn chế độ làm việc (Giao diện người dùng)
- (17) Hiển thị chế độ làm việc 70% (Giao diện người dùng)
- (18) Đèn báo trạng thái nạp pin (Giao diện người dùng)
- (19) Đai ốc khóa của tay nắm phụ

a) Phụ kiện này không thuộc phạm vi giao hàng tiêu chuẩn.

Thông số kỹ thuật

Búa phá chạy pin		GSH 18V-5
Mã số máy		3 611 J18 2..
Điện thế danh định	V=	18
Tần suất đập ^{A)}	/phút	3050
Phần lắp dụng cụ		SDS max
Trọng lượng ^{B)}	kg	5,6–6,6
Nhiệt độ môi trường được khuyến nghị khi sạc	°C	0 ... +35

Búa phá chạy pin		GSH 18V-5
Nhiệt độ môi trường cho phép trong quá trình vận hành ^{C)} và trong quá trình lưu trữ	°C	-20 ... +50
Pin tương thích		GBA 18V... ProCORE18V...
Pin được khuyến dùng cho công suất tối đa		ProCORE18V... ≥ 5,5 Ah
Thiết bị nạp được giới thiệu		GAL 18... GAX 18... GAL 36...

A) được đo ở 20–25 °C với pin **ProCORE18V 12.0Ah**

B) tùy vào loại pin lốc đang sử dụng

C) hiệu suất giới hạn ở nhiệt độ < 0 °C

Các giá trị có thể khác nhau tùy thuộc vào sản phẩm và tùy thuộc vào ứng dụng và điều kiện môi trường. Xem thêm thông tin chi tiết trên trang www.bosch-professional.com/wac.

Pin

Bosch mua dụng cụ điện chạy pin không có pin.

Dù pin được bao gồm trong phạm vi giao hàng của dụng cụ điện, bạn có thể tháo bao gi.

Sạc pin

► **Chỉ sử dụng bộ sạc được để cập trong dữ liệu kỹ thuật.** Chỉ những bộ sạc này phù hợp cho dụng cụ điện cầm tay của bạn có sử dụng pin Li-Ion.

Hướng dẫn: Pin Lithium-ion được giao một phần do các quy định vận tải quốc tế. Để bảo đảm đầy đủ điện dung, nạp điện hoàn toàn lại cho pin trước khi sử dụng cho lần đầu tiên.

Lắp pin

Hãy đẩy pin đã sạc vào giá gắn pin cho đến khi nó vào khớp.

Tháo pin ra



Để tháo pin bạn hãy ấn nút mở khóa pin và kéo pin ra. **Không dùng sức.**

Pin có 2 mức khóa, có nhiệm vụ ngăn ngừa pin bị rơi ra do vô ý bấm phải nút tháo pin. Cứ khi nào pin còn được lắp trong dụng cụ điện, nó vẫn được giữ nguyên vị trí nhờ vào một lò xo.

Đèn báo trạng thái nạp pin

Lưu ý: Không phải mọi loại pin đều có một hiển thị mức sạc.

Các đèn LED màu xanh của màn hình hiển thị tình trạng sạc pin chỉ ra tình trạng sạc của pin. Vì lý do an toàn, ta chỉ có thể kiểm tra trạng thái của tình trạng nạp điện khi máy đã ngừng hoạt động hoàn toàn.

Để hiển thị tình trạng nạp, bạn hãy nhấn nút để hiển thị mức sạc  hoặc . Điều này cũng có thể thực hiện khi ắc quy được tháo ra.

Đèn LED không sáng sau khi nhấn nút để hiển thị mức sạc có nghĩa là pin bị hỏng và phải được thay thế.

Mức sạc pin cũng được hiển thị trên giao diện người dùng (xem „Giao diện người dùng“, Trang 71).

Kiểu pin GBA 18V...



LED	Điện dung
Đèn sáng liên tục 3× màu xanh lá	60–100 %
Đèn sáng liên tục 2× màu xanh lá	30–60 %
Đèn sáng liên tục 1× màu xanh lá	5–30 %
Đèn nhấp nháy 1× màu xanh lá	0–5 %

Kiểu pin ProCORE18V...



LED	Điện dung
Đèn sáng liên tục 5× màu xanh lá	80–100 %
Đèn sáng liên tục 4× màu xanh lá	60–80 %
Đèn sáng liên tục 3× màu xanh lá	40–60 %
Đèn sáng liên tục 2× màu xanh lá	20–40 %
Đèn sáng liên tục 1× màu xanh lá	5–20 %
Đèn nhấp nháy 1× màu xanh lá	0–5 %

Các Khuyến Nghị về Cách Bảo Dưỡng Tốt Nhất cho Pin

Bảo vệ pin hợp khối tránh sự ẩm ướt và nước.

Chỉ bảo quản pin trong tầm nhiệt độ nằm giữa –20 °C và 50 °C. Không để pin trong ô tô vào mùa hè.

Thỉnh thoảng làm sạch các khe thông gió của pin bằng cách dùng một cái cọ khô, mềm và sạch.

Sự giám sát đáng kể thời gian hoạt động sau khi nạp điện chỉ rõ rằng pin hợp khối đã hết công dụng và phải được thay.

Qui trình hoạt động được chia ra làm hai giai đoạn.

Sự lắp vào

- Trước khi tiến hành bất cứ công việc gì với máy (ví dụ: bảo dưỡng, thay dụng cụ v.v..) tháo pin ra khỏi dụng cụ điện. Có nguy cơ gây thương tích khi vô tình làm kích hoạt công tắc bật/tắt.

Tay nắm phụ (xem Hình A)

- Chỉ vận hành máy của bạn khi đã gắn tay nắm phụ (9).

Bạn có thể xoay và/hoặc dịch chuyển tay nắm phụ (9) tùy ý, để có tư thế làm việc an toàn và ít mỏi.

- Nới lỏng đai ốc xê rãnh (19), hãy xoay và/hoặc dịch chuyển tay nắm phụ (9) vào vị trí mong muốn và siết chặt đai ốc xê rãnh (19).

Thay Dụng Cụ

Phần lắp dụng cụ SDS max tạo sự tiện lợi và đơn giản cho việc thay dụng cụ ứng dụng mà không cần đến dụng cụ hỗ trợ.

Chụp bảo vệ ngăn bụi (1) giúp ngăn cản phần lớn sự xâm nhập của bụi khoan vào dụng cụ trong thời gian hoạt động. Khi lắp dụng cụ vào, hãy lưu ý rằng chụp bảo vệ ngăn bụi (1) không bị làm hư hỏng.

- Thay chụp ngăn bụi bị hỏng ngay lập tức. Chúng tôi khuyến nghị việc thay thế này do một đại lý phục vụ hậu mãi thực hiện.

Thay phụ tùng (xem hình B)

- Làm sạch và thoa một lớp mỏng dầu bôi trơn lên chuỗi của dụng cụ.
- Đẩy vòng Khóa (2) về phía sau và đặt phụ tùng vào phần lắp dụng cụ. Nhả vòng khóa (2), để khóa phụ tùng.
- Kiểm tra xem đã cài chắc chưa bằng cách kéo thử dụng cụ ra.

Thay (xem hình C)

- Đẩy vòng khóa (2) về phía sau và tháo phụ tùng.

Vận Hành

- Trước khi tiến hành bất cứ công việc gì với máy (ví dụ: bảo dưỡng, thay dụng cụ v.v..) tháo pin ra khỏi dụng cụ điện. Có nguy cơ gây thương tích khi vô tình làm kích hoạt công tắc bật/tắt.

Bắt Đầu Vận Hành

Bật Mở và Tắt

- Để vận hành thử dụng cụ điện hãy nhấn công tắc bật/tắt (7) và nhấn giữ.
 - Để khóa công tắc bật/tắt đã nhấn (7) hãy nhấn nút khóa giữ (5).
 - Để tắt dụng cụ điện, hãy nhả công tắc bật/tắt (7) hoặc nếu nó được khóa bằng nút khóa giữ (5), hãy nhấn công tắc bật/tắt (7) nhanh và nhả.
- Ở nhiệt độ thấp, dụng cụ điện chỉ đạt công suất tác động đầy đủ sau một thời gian nhất định.

Khóa chống bật

- Dụng cụ điện được trang bị một khóa chống bật để ngăn bật vô tình.

Kích hoạt khóa chống bật:

- Nhấn nút khoá giữ ở trạng thái tắt (5).
Nhờ đó, công tắc bật/tắt (7) được chặn và ngăn bật vô tình.

Bỏ kích hoạt khóa chống bật:

- Nhấn nút khoá giữ đã khóa (5).
Do đó, công tắc bật/tắt (7) được mở khóa và có thể vận hành dụng cụ điện.

Đèn làm việc

Đèn làm việc (10) bật sáng khi công tắc bật/tắt được nhấn nhẹ hoặc nhấn hết cỡ (7) và cho phép chiếu sáng khu vực làm việc ở các điều kiện chiếu sáng kém.

Chỉnh Đặt Tần Suất Đập

Bạn có thể điều tiết liên tục số tần suất đập của dụng cụ điện đã bật, tùy vào việc bạn nhấn công tắc bật/tắt như thế nào (7).

Nhấn nhẹ trên công tắc bật/tắt (7) sẽ kích hoạt tần suất đập thấp. Lực áp mạnh hơn lên công tắc làm tăng tần suất đập.

Thay đổi vị trí đục (Vario-Lock) (xem hình D)

Bạn có thể khóa mũi đục vào 12 các vị trí. Nhờ như vậy, ta có thể tạo tư thế thao tác tốt nhất cho từng ứng dụng.

- Lắp mũi đục vào trong ổ lắp dụng cụ.
- Hãy đẩy vòng điều chỉnh mũi đục (3) ra phía trước và xoay mũi đục vào vị trí mong muốn bằng vòng điều chỉnh mũi đục (3).
- Hãy nhả vòng điều chỉnh mũi đục (3) và xoay mũi đục, đến khi khớp vào.

Giao diện người dùng

Giao diện người dùng (12) dùng để chọn chế độ làm việc cũng như hiển thị tình trạng của dụng cụ điện.

Hiển thị trạng thái

Hiển thị trạng thái dụng cụ điện (13)	Ý nghĩa	Cách khắc phục
–	Dụng cụ điện được tắt	–
màu xanh lá	Dụng cụ điện được bật và sẵn sàng sử dụng	–
vàng	Đạt nhiệt độ tới hạn hoặc ắc quy gần cạn	Không cho dụng cụ điện hoạt động ở chế độ không tải và hãy để nguội, thay hoặc sạc ắc quy sớm
màu đỏ	Dụng cụ điện bị quá nhiệt hoặc ắc quy cạn	Để nguội dụng cụ điện, thay hoặc sạc ắc quy
	Pin quá yếu	Sạc pin hoặc sử dụng kiểu pin được khuyến nghị
	Lỗi chung	– Tắt dụng cụ điện và bật lại hoặc tháo pin và lắp lại Nếu vẫn xuất hiện lỗi: – Hãy gửi dụng cụ điện tới bộ phận dịch vụ khách hàng

Đèn báo trạng thái nạp pin (Giao diện người dùng) (18)	Ý nghĩa/Nguyên nhân	Cách khắc phục
xanh lục (2 đến 5 vạch)	Pin được sạc	–
vàng (1 vạch)	Pin gần cạn	Thay hoặc sạc pin sớm
đỏ (1 vạch)	Bộ nguồn cạn điện	Thay hoặc sạc pin
Hiển thị nhiệt độ (14)	Ý nghĩa/Nguyên nhân	Cách khắc phục
Vàng	Nhiệt độ hoạt động của pin hoặc của dụng cụ điện tăng rõ rệt, công suất bị giảm	Hãy để nguội dụng cụ điện hoặc thay pin bị quá nhiệt

Hiện thị nhiệt độ (14)	Ý nghĩa/Nguyên nhân	Cách khắc phục
Màu đỏ	Nhiệt độ hoạt động của pin hoặc của dụng cụ điện bị vượt quá, dụng cụ điện được tắt để bảo vệ	Hãy để nguội dụng cụ điện hoặc thay pin bị quá nhiệt

Chọn chế độ làm việc

Hãy nhấn nút **(16)** liên tục để chọn chế độ làm việc cho đến khi chế độ làm việc do bạn mong muốn bật sáng.

Chức năng	
Hiện thị chế độ làm việc 100% (15)	Chế độ làm việc 100% (với khởi động êm Adaptive Speed Control): khởi động có kiểm soát đến công suất tối đa thời chạy pin ngắn hơn
Hiện thị chế độ làm việc 70% (17)	Chế độ làm việc 70% (với khởi động êm Adaptive Speed Control): khởi động có kiểm soát đến công suất đã giảm để gia công các vật liệu dễ hỏng; thời gian chạy pin dài hơn

Hướng Dẫn Sử Dụng

Mài bén mũi đục

Chỉ có các mũi đục sắc bén mới tạo nên kết quả tốt; Vì vậy, hãy mài bén các dụng cụ đục đúng lúc. Việc làm này đảm bảo cho tuổi thọ của dụng cụ được bền và hiệu quả công việc được tốt.

Mài lại

Mài bén dụng cụ đục bằng đĩa mài (vd. dùng đĩa corundum gồm nén kết) cùng với nguồn nước cung cấp ổn định. Bảo đảm rằng lưới cắt của dụng cụ không đổi màu khi tôi hay trụi; sự đổi màu này làm suy yếu độ cứng của dụng cụ đục. Để rèn bạn hãy làm nóng đục lên 850 đến 1050 °C (đỏ rực đến vàng).

Để **hóa cứng** bạn hãy làm nóng đục lên khoảng 900 °C và tôi nó trong dầu. Sau đó hãy tôi nó trong lò khoảng một giờ ở mức 320 °C (màu ram xanh dương nhạt).

Bộ điều khiển tốc độ điện (Adaptive Speed Control)



Để điều khiển tốt hơn và khởi động chính xác, dụng cụ điện sẽ bắt đầu với tốc độ thấp và sau đó tăng nhanh đến tốc độ được cài đặt.

Bộ điều khiển số vòng quay điện được khởi động tự động, nếu mũi đục tiếp xúc với khu vực làm việc trong khi thực hiện ứng dụng. Số vòng quay giảm theo thời gian trễ, nếu mũi đục được lấy ra khỏi khu vực làm việc.

Bộ phận giảm chấn



Bộ phận giảm chấn tích hợp sẽ giảm các rung động xuất hiện.

- ▶ **Không được tiếp tục sử dụng dụng cụ điện khi bộ phận giảm chấn đã bị hỏng.**

Bảo Dưỡng và Bảo Quản

Bảo Dưỡng Và Làm Sạch

- ▶ **Trước khi tiến hành bất cứ công việc gì với máy (ví dụ: bảo dưỡng, thay dụng cụ v.v..) tháo pin ra khỏi dụng cụ điện.** Có nguy cơ gây thương tích khi vô tình làm kích hoạt công tắc bật/tắt.
- ▶ **Đề được an toàn và máy hoạt động đúng chức năng, luôn luôn giữ máy và các khe thông gió được sạch.**
- ▶ **Thay chụp ngăn bụi bị hỏng ngay lập tức. Chúng tôi khuyến nghị việc thay thế này do một đại lý phục vụ hậu mãi thực hiện.**

Bôi Trơn Dụng Cụ Điện Cầm Tay

Dụng cụ điện được bôi mỡ và sẵn dùng ngay.

Sự thay mỡ bôi trơn là cần thiết chỉ trong thời gian bảo trì hay sửa chữa thông qua một đại lý chăm sóc khách hàng dụng cụ điện Bosch ủy nhiệm. Ở đây, điều chủ yếu là nơi đây sử dụng đúng loại mỡ bôi trơn do Bosch chỉ định.

Dịch vụ hỗ trợ khách hàng và tư vấn sử dụng

Bộ phận phục vụ hàng sau khi bán của chúng tôi trả lời các câu hỏi liên quan đến việc bảo dưỡng và sửa chữa các sản phẩm cũng như phụ tùng thay thế của bạn. Sơ đồ mô tả và thông tin về phụ tùng thay thế cũng có thể tra cứu theo dưới đây:

www.bosch-pt.com

Đội ngũ tư vấn sử dụng của Bosch sẽ giúp bạn giải đáp các thắc mắc về sản phẩm và phụ kiện.

Trong tất cả các phản hồi và đơn đặt phụ tùng, xin vui lòng luôn luôn nhập số hàng hóa 10 chữ số theo nhãn của hàng hóa.

Việt Nam

CN CÔNG TY TNHH BOSCH VIỆT NAM TẠI
TP.HCM
Tầng 14, Ngôi Nhà Đức, 33 Lê Duẩn
Phường Bến Nghé, Quận 1, Thành Phố Hồ Chí
Minh
Tel.: (028) 6258 3690
Fax: (028) 6258 3692 - 6258 3694
Hotline: 1900 9988 50
Email: tuvankhachhang-pt@vn.bosch.com
www.bosch-pt.com.vn

Xem thêm địa chỉ dịch vụ tại:

www.bosch-pt.com/serviceaddresses

Vận chuyển

Pin Li-Ion được khuyến nghị là đối tượng phải tuân theo các quy định của Pháp Luật về Hàng Hóa Nguy Hiểm. Người sử dụng có thể vận chuyển pin hợp khối bằng đường bộ mà không cần thêm yêu cầu nào khác.

Khi được vận chuyển thông qua bên thứ ba (vd. vận chuyển bằng đường hàng không hay đại lý giao nhận), phải tuân theo các yêu cầu đặc biệt về đóng gói và dán nhãn. Phải tham vấn chuyên gia về hàng hóa nguy hiểm khi chuẩn bị gói hàng.

Chỉ gửi pin hợp khối khi vỏ ngoài không bị hư hỏng. Dán băng keo hay che kín các điểm tiếp xúc hở và đóng gói pin hợp khối theo cách sao cho pin không thể xê dịch khi nằm trong bao bì. Ngoài ra, xin vui lòng chấp hành các quy định chi tiết có thể được bổ sung thêm của quốc gia.

Sự thải bỏ

Dụng cụ điện, pin, phụ kiện và bao bì cần được tái sử dụng theo quy định về môi trường.



Bạn không được ném dụng cụ điện và pin vào thùng rác gia đình!

Pin/ắc quy:**Li-Ion:**

Tuân thủ những hướng dẫn trong phần vận chuyển (xem „Vận chuyển“, Trang 73).

مخصص للاستعمال الخارجي من خطر الصدمات الكهربائية.

إن لم يكن بالإمكان تجنب تشغيل العدة الكهربائية في الأجواء الرطبة، فاستخدم مفتاح للوقاية من التيار المتخلف. إن استخدام مفتاح للوقاية من التيار المتخلف يقلل خطر الصدمات الكهربائية.

أمان الأشخاص

كن يقظا وانتبه إلى ما تفعله واستخدم العدة الكهربائية بتعقل. لا تستخدم عدة كهربائية عندما تكون متعبا أو عندما تكون تحت تأثير المخدرات أو الكحول أو الأدوية. عدم الانتباه للحظة واحدة عند استخدام العدة الكهربائية قد يؤدي إلى إصابات خطيرة.

قم لارتداء تجهيزات الحماية الشخصية. وارتد دائما نظارات واقية. يحد ارتداء تجهيزات الحماية الشخصية، كقناع الوقاية من الغبار وأحذية الأمان الواقية من الانزلاق والوذو أو واقية الأذنين، حسب ظروف استعمال العدة الكهربائية، من خطر الإصابة بجروح.

تجنب التشغيل بشكل غير مقصود. تأكد من كون العدة الكهربائية مطفأة قبل توصيلها بالتيار الكهربائي و/أو بالمركم، وقبل رفعها أو حملها. إن كنت تضع إصبعك على المفتاح أثناء حمل العدة الكهربائية أو إن وصلت الجهاز بالشبكة الكهربائية بينما لا مفتاح على وضع التشغيل، قد يؤدي إلى وقوع الحوادث.

انزع أداة الضبط أو مفتاح الربط قبل تشغيل العدة الكهربائية. قد تؤدي الأداة أو المفتاح المتواجد في جزء دوار من الجهاز إلى الإصابة بجروح.

تجنب أوضاع الجسم غير الطبيعية. قف بأمان وحافظ على توازنك دائما. سيسمح لك ذلك بالتمكّن في الجهاز بشكل أفضل في الموافف الغير متوقعة.

قم بارتداء ثياب مناسبة. لا ترتد الثياب الفضفاضة أو الحللى. احرص على إبقاء الشعر والملابس بعيدا عن الأجزاء المتحركة. قد تشابك الثياب الفضفاضة والحلى والشعر الطويل بالأجزاء المتحركة.

إن جاز تركيب تجهيزات شفت وتجميع الغبار، فتأكد من أنها موصولة وبأنه يتم استخدامها بشكل سليم. قد يقلل استخدام تجهيزات لشفت الغبار من المخاطر الناتجة عن الغبار.

لا تستخدم العدة الكهربائية بلا مبالاة وتتجاهل قواعد الأمان الخاصة بها نتيجة لتعودك على استخدام العدة الكهربائية وكثرة استخدامها. فقد يتسبب الاستخدام دون حرص في حدوث إصابة بالغة تحدث في أجزاء من الثانية.

حسن معاملة واستخدام العدد الكهربائية لا تفرط بتحميل الجهاز. استخدم لتنفيذ أشغالك العدة الكهربائية المخصصة لذلك. إنك تعمل بشكل أفضل وأكثر أماناً بواسطة العدة الكهربائية الملائمة في مجال الأداء المذكور.

لا تستخدم العدة الكهربائية إن كان مفتاح تشغيلها تالف. العدة الكهربائية التي لم يعد من

عربي

إرشادات الأمان

الإرشادات العامة للأمان بالعدد الكهربائية

تحذير اطلع على كافة تحذيرات الأمان والتعليمات والصور والمواصفات المرفقة بالعدة الكهربائية. عدم اتباع التعليمات الواردة أدناه قد يؤدي إلى حدوث صدمة كهربائية، إلى نشوب حريق و/أو الإصابة بجروح خطيرة.

احتفظ بجميع الملاحظات التحذيرية والتعليمات للمستقبل.

يقصد بمصطلح «العدة الكهربائية» المستخدم في الملاحظات التحذيرية، العدد الكهربائية الموصولة بالشبكة الكهربائية (بواسطة كابل الشبكة الكهربائية) وأيضاً العدد الكهربائية المزودة بمركم (دون كابل الشبكة الكهربائية).

الأمان بمكان الشغل

حافظ على نظافة مكان شغلك وإضاءته بشكل جيد. الفوضى في مكان الشغل ونطاقات العمل غير المضاة قد تؤدي إلى وقوع الحوادث.

لا تشتغل بالعدة الكهربائية في نطاق معرض لخطر الانفجار مثل الأماكن التي تتوفر فيه السوائل أو الغازات أو الأبخرة القابلة للاشتعال. العدد الكهربائية تولد شرراً قد يتطاير، فيشعل الأبخرة والأبخرة.

حافظ على بقاء الأطفال وغيرهم من الأشخاص بعيدا عندما تستعمل العدة الكهربائية. تشتيت الانتباه قد يتسبب في فقدان السيطرة على الجهاز.

الأمان الكهربائي

يجب أن يتلائم قابس العدة الكهربائية مع المقبس. لا يجوز تغيير القابس بأي حال من الأحوال. لا تستعمل القوايس المهينة مع العدد الكهربائية المؤرّضة (ذات طرف أرضي). تخفّض القوايس التي لم يتم تغييرها والمقابس الملائمة من خطر الصدمات الكهربائية.

تجنب ملامسة جسمك للأسطح المؤرّضة كالأنابيب والمبردات والمواقد أو التلّاجات. يزداد خطر الصدمات الكهربائية عندما يكون جسمك مؤرّض أو موصل بالأرضي.

أبعد العدة الكهربائية عن الأمطار أو الرطوبة. يزداد خطر الصدمات الكهربائية إن تسرب الماء إلى داخل العدة الكهربائية.

لا تسيّ استعمال الكابل. لا تستخدم الكابل في حمل العدة الكهربائية أو سحبها أو سحب القابس من المقبس. احرص على إبعاد الكابل عن الحرارة والزيت والحواف الحادة أو الأجزاء المتحركة. تزيد الكابلات التالفة أو المتشابكة من خطر الصدمات الكهربائية.

عند استخدام العدة الكهربائية خارج المنزل اقتصر على استخدام كابلات التمديد الصالحة للاستعمال الخارجي. يقلل استعمال كابل تمديد

ذلك. قد يؤدي سائل المركم المتسرب إلى تهيج البشرة أو إلى الاحتراق.

- ◀ لا تستخدم عدة أو مركم تعرضاً لأضرار أو التعديل. البطاريات المتعرضة لأضرار أو لتعديلات قد ينتج عنها أشياء لا يمكن التنبؤ بها، قد تسبب نشوب حريق أو حدوث انفجار أو إصابات.
- ◀ لا تعرض المركم أو العدة للهب أو لدرجة حرارة زائدة. التعرض للهب أو لدرجة حرارة أعلى من 130 °م قد يتسبب في انفجار.
- ◀ اتبع تعليمات الشحن ولا تقم بشحن المركم أو العدة خارج نطاق درجة الحرارة المحدد في التعليمات. الشحن بشكل غير صحيح أو في درجات حرارة خارج النطاق المحدد قد يعرض المركم لأضرار ويزيد من مخاطر الحريق.

الخدمة

- ◀ احرص على إصلاح عدتك الكهربائية فقط بواسطة العمال المتخصصين وباستعمال قطع الغيار الأصلية فقط. يضمن ذلك المحافظة على أمان الجهاز.
- ◀ لا تقم بإجراء أعمال خدمة على المراكم التالفة. أعمال الخدمة على المراكم يجب أن تقوم بها الجهة الصانعة فقط أو مقدم الخدمة المعتمد.

إرشادات الأمان للمطابق

تعليمات الأمان لكافة التطبيقات

- ◀ احرص على ارتداء واقيات للأذنين. التعرض للضوضاء قد يتسبب في فقدان السمع.
- ◀ استخدم المقبض (المقابض) الإضافية إذا كانت العدة مزودة بها. فقدان السيطرة على المعدة قد يتسبب في حدوث إصابات.
- ◀ أمسك العدة الكهربائية من أسطح المسك المعزولة عند القيام بأعمال قد يترتب عليها ملامسة ملحق القطع لأسلاك كهربائية غير ظاهرة. ملامسة ملحق القطع لسلك «مكهرب» قد يتسبب في مرور التيار في الأجزاء المعدنية من العدة وجعلها «مكهربة» مما قد يصيب المشغل بصدمة كهربائية.

إرشادات الأمان الإضافية

- ◀ استخدم أجهزة تنقيب ملائمة للعثور على خطوط الإمداد غير الظاهرة، أو استعن بشركة الإمداد المحلية. ملامسة الخطوط الكهربائية قد تؤدي إلى اندلاع النار وإلى الصدمات الكهربائية. حدوث أضرار بخطر الغاز قد يؤدي إلى حدوث انفجارات. اختراق خط الماء يتسبب في وقوع أضرار مادية.
- ◀ انتظر إلى أن تتوقف العدة الكهربائية عن الحركة قبل أن تضعها جانباً. قد تتكبد عدة الشغل فتؤدي إلى فقدان السيطرة على العدة الكهربائية.
- ◀ احرص على تأمين قطعة الشغل. قطعة الشغل المثبتة بواسطة تجهيز شدة أو بواسطة الملزمة مثبتة بأمان أكبر مما لو تم الإمساك بها بواسطة يدك.
- ◀ لا تقم بلمس أدوات الشغل أو أجزاء جسم الجهاز الملامسة لها بعد التشغيل مباشرة.

الممكن التحكم بها عن طريق مفتاح التشغيل والإطفاء تعتبر خطيرة ويجب أن يتم إصلاحها.

- ◀ اسحب القابس من المقبس و/أو اخلع المركم، إذا كان قابلاً للخلع، قبل ضبط الجهاز وقبل استبدال الملحقات أو قبل تخزين الجهاز. تمنع هذه الإجراءات وقائية تشغيل العدة الكهربائية بشكل غير مقصود.
- ◀ احتفظ بالعدد الكهربائية التي لا يتم استخدامها بعيداً عن متناول الأطفال. لا تسمح باستخدام العدة الكهربائية لمن لا خبرة له بها أو لمن لم يقرأ تلك التعليمات. العدد الكهربائي خطيرة إن تم استخدامها من قبل أشخاص دون خبرة.
- ◀ اعتن بالعدة الكهربائية والملحقات بشكل جيد. تأكد أن أجزاء الجهاز المتحركة مركبة بشكل سليم وغير مستعصية عن الحركة، وتفحص ما إن كانت هناك أجزاء مكسورة أو في حالة تؤثر على سلامة أداء العدة الكهربائية. ينبغي إصلاح هذه الأجزاء التالفة قبل إعادة تشغيل الجهاز. الكثير من الحوادث مصدرها العدد الكهربائية التي تتم صيانتها بشكل رديء.
- ◀ احرص على إبقاء عدد القطع نظيفة وحادة. إن عدد القطع ذات حواف القطع المادة التي تم صيانتها بعناية تتكبد بشكل أقل ويمكن توجيهها بشكل أيسر.
- ◀ استخدم العدد الكهربائية والتوابع وريش الشغل إلخ. وفقاً لهذه التعليمات. تراعى أثناء ذلك ظروف الشغل والعمل المراد تنفيذه. استخدام العدد الكهربائية لغبر الأشغال المخصصة لأجلها قد يؤدي إلى حدوث الحلات الخطيرة.
- ◀ احرص على إبقاء المقابض وأسطح المسك جافة ونظيفة وخالية من الزيوت والشحوم. المقابض وأسطح المسك الزلقة لا تتبع التشغيل والتحكم الأمان في العدة في المواقف غير المتوقعة.
- ◀ حسن معاملة واستخدام العدد المزودة بمركم اشحن المراكم فقط في أجهزة الشحن التي يُصنع باستخدامها من طرف المنتج. قد يتسبب جهاز الشحن المخصصة لنوع معين من المراكم في خطر الحريق إن تم استخدامه مع نوع آخر من المراكم.
- ◀ استخدم العدد الكهربائية فقط مع المراكم المصممة لهذا الغرض. قد يؤدي استخدام المراكم الأخرى إلى إصابات وإلى خطر نشوب الحرائق.
- ◀ حافظ على إبعاد المركم الذي لا يتم استعماله عن مشابك الورق وقطع النقود المعدنية والمفاتيح والمسامير واللواكب أو غيرها من الأغراض المعدنية الصغيرة التي قد تقوم بتوصيل الملامسين ببعضهما البعض. قد يؤدي تقصير الدارة الكهربائية بين ملامسي المركم إلى الاحتراق أو إلى اندلاع النار.
- ◀ قد يتسرب السائل من المركم في حالة سوء الاستعمال. تجنب ملامسته. اشطفه بالماء في حال ملامسته بشكل غير مقصود. إن وصل السائل إلى العينين، فراجع الطبيب إضافة إلى

وصف المنتج والأداء

اقرأ جميع إرشادات الأمان والتعليمات. ارتكاب الأخطاء عند تطبيق إرشادات الأمان والتعليمات، قد يؤدي إلى حدوث صدمات كهربائية أو إلى نشوب الحرائق و/أو الإصابة بجروح خطيرة.



يرجى الرجوع إلى الصور الموجودة في الجزء الأول من دليل التشغيل.

الاستعمال المطابق للتعليمات

الجهاز مخصص لأعمال النحت في الخرسانة والطوب والحجر والأسفلت كما أنه يصلح للدرس والدمك عند تزويده بالتوابع المطلوبة.

الأجزاء المصورة

يشير ترقيم الأجزاء المصورة إلى الصورة المعروضة للعدة الكهربائية في صفحة الرسوم.

- (1) غطاء الوقاية من الغبار
 - (2) جلبة إقفال
 - (3) حلقة تغيير وضع الإزميل (القفل المتغير Vario-Lock)
 - (4) كاتم الاهتزازات
 - (5) زر تثبيت مفتاح التشغيل والإطفاء
 - (6) مقبض (مقبض مسك معزول)
 - (7) مفتاح التشغيل والإطفاء
 - (8) مركم^a
 - (9) مقبض إضافي (سطح قبض معزول)
 - (10) ضوء العمل
 - (11) زر فك إقفال المركم^a
 - (12) واجهة المستخدم
 - (13) بيان حالة العدة الكهربائية (واجهة المستخدم)
 - (14) مبيّن درجة الحرارة (واجهة المستخدم)
 - (15) بيان وضع العمل 100% (واجهة المستخدم)
 - (16) زر اختيار وضع العمل (واجهة المستخدم)
 - (17) بيان وضع العمل 70% (واجهة المستخدم)
 - (18) مبيّن حالة شحم المركم (واجهة المستخدم)
 - (19) صامولة محززة للمقبض الإضافي
- (a) هذه التوابع ليست ضمن نطاق التوريد القياسي.

البيانات الفنية

مطرقة دق عامة بمركم		GSH 18V-5
رقم الصنف	3611 J18 2..	
الجهد الاسمي	فلط=	18
عدد الطرقات ^(A)	min ⁻¹	3050
حاضن العدة	SDS max	
الوزن ^(B)	كجم	6,6-5,6

فقد تتعرض هذه الأجزاء للسخونة أثناء التشغيل، مما يعرضك للاحتراق في حالة لمسها.

◀ **كن حذرًا أثناء أعمال الهدم باستخدام الإزميل.** قد تسبب قطع التكسير المتساقطة في إصابة الأشخاص المحيطين بك أو إصابتك أنت نفسك.

◀ **قد تنطلق أبخرة عند تلف المركم واستخدامه بطريقة غير ملائمة.** يمكن أن يحترق المركم أو يتعرض للانفجار. أمن توفر الهواء النقي وراجع الطبيب إن شعرت بشكوى. قد تهيج هذه الأبخرة المجاري التنفسية.

◀ **لا تفتح المركم.** يتشكل خطر تقصير الدائرة الكهربائية.

◀ **يمكن أن يتعرض المركم لأضرار من خلال الأشياء المدببة مثل المسامير والمفكات أو من خلال تأثير القوى الخارجية.** وقد يؤدي هذا إلى تقصير الدائرة الكهربائية الداخلية واحتراق المركم وأخروج الأدخنة منه أو انفجاره وتعرضه لسخونة مفرطة.

◀ **اقتصر على استخدام المركم في منتجات الجهة الصانعة.** يتم حماية المركم من فرط التخميل الخطير بهذه الطريقة فقط دون غيرها.

◀ **احرص على حماية المركم من الحرارة، بما ذلك التعرض لأشعة الشمس باستمرار ومن النار والانساخ والماء والرطوبة.** حيث ينشأ خطر الانفجار وخطر حدوث دائرة قصر.

◀ **أمسك العدة الكهربائية جيدا بكلتا اليدين عند العمل، واحرص على أن تكون في وضعية ثابتة.** يتم توجيه العدة الكهربائية بأمان بواسطة اليدين الأثنتين.



الرموز

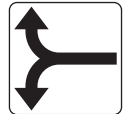
قد تكون الرموز التالية ذات أهمية من أجل استعمال عدتك الكهربائية. يرجى حفظ الرموز ومعناها. يساعدك تفسير الرموز بشكل صحيح على استعمال عدتك الكهربائية بطريقة أفضل وأكثر أماناً.

الرموز ومعناها



لتغيير عدة الشغل اسحب جلبة الإقفال إلى الخلف.



لتغيير وضع الإزميل حرك حلقة تغيير وضع الإزميل إلى الأمام وأدرها.



بالسلامة فإنه لا يمكن الاستعلاء عن حالة الشحن إلا والعدة الكهربائية متوقفة.

اضغط على زر مبيّن حالة الشحن  أو  لعرض حالة الشحن. يمكن هذا أيضًا والمركم مخرج.

إذا لم يضيء أي مصباح داوود بعد الضغط على زر مبيّن حالة الشحن، فهذا يعني أن المركم تالف ويجب تغييره.

تتم الإشارة إلى حالة شحن المركم في واجهة المستخدم (انظر „واجهة المستخدم“، الصفحة 78).

نوع المركم GBA 18V...



السعة	لمبة LED
100-60 %	ضوء مستمر ×3 أخضر
60-30 %	ضوء مستمر ×2 أخضر
30-5 %	ضوء مستمر ×1 أخضر
5-0 %	ضوء وماض ×1 أخضر

نوع المركم ProCORE18V...



السعة	لمبة LED
100-80 %	ضوء مستمر ×5 أخضر
80-60 %	ضوء مستمر ×4 أخضر
60-40 %	ضوء مستمر ×3 أخضر
40-20 %	ضوء مستمر ×2 أخضر
20-5 %	ضوء مستمر ×1 أخضر
5-0 %	ضوء وماض ×1 أخضر

ملاحظات للتعامل مع المركم بطريقة مثالية

قم بحماية المركم من الرطوبة والماء. لا تقم بتخزين المركم إلا في نطاق درجة حرارة يقع بين 20-°م وحتى 50°م. لا تترك المركم في السيارة في فصل الصيف مثلًا.

نظف فتحات التهوية بالمركم من فترة لأخرى، بواسطة فرشاة طرية ونظيفة وجافة.

إذا انخفضت فترة التشغيل بعد الشحن بدرجة كبيرة فهذا يعني أن المركم قد استهلك وأنه يجب استبداله.

تراجع الإرشادات عند التخلص من العدد.

التركيب

◀ أخرج المركم من العدة الكهربائية قبل إجراء أي أعمال على العدة الكهربائية (على سبيل المثال الصيانة، واستبدال العدد، وما شابه). هناك خطر إصابة بروج في حالة الضغط على مفتاح التشغيل والإطفاء بشكل غير مقصود.

مطرقة دق عاملة بمركم	GSH 18V-5
درجة الحرارة المحيطة الموصى بها عند الشحن	0 ... 35+ °م
درجة الحرارة المحيطة المسموحة عند التشغيل ^c وعند التخزين	20- ... 50+ °م
المراكم المتوافقة	GBA 18V... ProCORE18V...
المراكم الموصى بها للقدرة الكاملة	ProCORE18V...
أجهزة الشحن الموصى بها	GAL 18... GAX 18... GAL 36...

(A) مقاسة عند درجة حرارة 20-25°م مع مركم ProCORE18V 12.0Ah

(B) حسب المركم المستخدم

(C) قدرة محدودة في درجات الحرارة > 0°م

قد تختلف القيم حسب المنتج وظروف الاستخدام والبيئة. المزيد من المعلومات على موقع الإنترنت www.bosch-professional.com/wac.

مركم

تبيع شركة Bosch العدد الكهربائي العاملة بمركم دون مركم أيضًا. يمكنك أن تعرف من العبوة ما إذا كان المركم موجود ضمن مجموعة التجهيزات الموردة مع العدة الكهربائية الخاصة بك.

شحن المركم

◀ اقتصر على استخدام أجهزة الشحن المذكورة في المواصفات الفنية. أجهزة الشحن هذه دون غيرها هي المتوائمة مع مركم أيونات الليثيوم المستخدم في عدتك الكهربائية.

ملحوظة: يتم تسليم مراكم أيونات الليثيوم مشحونة جزئيًا وفقًا للوائح النقل الدولية. لضمان قدرة أداء المركم الكاملة، يتوجب شحن المركم بشكل كامل قبل الاستعمال لأول مرة.

تركيب المركم

أدخل المركم المشحون في موضع تثبيت المركم إلى أن يثبت بشكل ملموس.

نزع المركم

لخلع المركم اضغط على زر تحرير المركم وأخرج المركم. لا تستخدم القوة أثناء ذلك.

يمتاز المركم بدرجتي إقفال اثنتين، تمنعان سقوط المركم للخارج في حال ضغط زر فك إقفال المركم بشكل غير مقصود. يتم تثبيت المركم بواسطة نابض ما دام مركبًا في العدة الكهربائية.

مبيّن حالة شحن المركم

ملحوظة: ليست كل أنواع المراكم تحتوي على مبيّن حالة شحن.

تشير مصابيح الداوود الخضراء الخاصة بمبيّن حالة شحن المركم لحالة شحن المركم. لأسباب تتعلق

- لغرض تثبيث مفتاح التشغيل/الإطفاء المضغوط (7) اضغط على زر التثبيت (5).
- لغرض إطفاء العدة الكهربائية اترك مفتاح التشغيل والإطفاء (7) أو إذا كان مثبتاً عن طريق زر التثبيت (5) اضغط على مفتاح التشغيل والإطفاء (7) لوهلة قصيرة ثم اتركه.
- لا تتوصل العدة الكهربائية إلى قدرة الطرق الكاملة عندما تكون درجات الحرارة منخفضة إلا بعد فترة زمنية معينة.

قفل التشغيل

- ◀ العدة الكهربائية مجهزة بمانع تشغيل لمنع التشغيل غير المقصود.
- تفعيل قفل التشغيل:
- اضغط أثناء حالة التوقف على زر التثبيت (5). وبذلك تتم إعاقة مفتاح التشغيل والإطفاء (7) ومنع التشغيل غير المقصود.
- إيقاف تفعيل قفل التشغيل:
- اضغط على زر التثبيت المعشوق (5). وبذلك يتم تمرير قفل مفتاح التشغيل والإطفاء (7) ويصبح من الممكن تشغيل العدة الكهربائية.

ضوء العمل

- يضيء مصباح العمل (10) عند الضغط على مفتاح التشغيل والإطفاء (7) بشكل جزئي أو كامل ويسمع بإضاءة مكان الشغل إن كانت ظروف الإضاءة غير ملائمة.

ضبط عدد الطرق

- يمكنك أن تتحكم بعدد طرق العدة الكهربائية قيد التشغيل دون تدرج، حسب مدى الضغط على مفتاح التشغيل والإطفاء (7).
- يؤدي الضغط الخفيف على مفتاح التشغيل والإطفاء (7) إلى عدد طرق منخفض. يزداد عدد الطرق بزيادة الضغط.

تغيير وضع الإزميل (القفل المتغير Vario-lock) (انظر الصورة D)

- يمكنك تثبيت الإزميل في 12 أوضاع. ويمكنك بذلك أن تتخذ وضعية الشغل الأنسب في كل حالة.
- ركب الإزميل في حاضن العدة.
- ادفع حلقة ضبط وضع الإزميل (3) إلى الأمام وأدر الإزميل إلى الوضع المرغوب بواسطة حلقة ضبط وضع الإزميل (3).
- اترك حلقة ضبط وضع الإزميل (3) وأدر الأزميل إلى أن يثبت.

مقبض إضافي (انظر الصورة A)

◀ استخدم العدة الكهربائية فقط مع المقبض الإضافي (9).

- يمكنك تحريك المقبض الإضافي (9) كما تريد و/أو نقله، للوصول إلى وضع عمل آمن ومريح.
- قم بفك الصامولة المحززة (19)، حرك و/أو انقل المقبض الإضافي (9) في الاتجاه المرغوب ثم أعد ربط الصامولة المحززة (19) بإحكام.

استبدال العدد

- يمكنك باستخدام حاضن العدة SDS max يمكنك تغيير عدة الشغل بكل سهولة وراحة دون استخدام عدد إضافية.
- يعمل غطاء الوقاية من الغبار (1) على منع دخول الغبار إلى حاضن العدة أثناء الاستخدام. احرص أثناء استخدام العدة الكهربائية على عدم حدوث أضرار بغطاء الوقاية من الغبار (1).
- ◀ يجب تغيير غطاء الوقاية من الغبار التالف على الفور. وينصح أن يتم ذلك من قبل مركز خدمة العملاء.

تركيب عدة الشغل (انظر الصورة B)

- نظف طرف التلقيم بعدة الشغل وشحمه قليلاً.
- ادفع لبيسة الإقفال (2) إلى الخلف ولقم عدة الشغل في حاضن العدة أثناء فتلها. أطلق لبيسة الإقفال (2) من أجل تثبيت عدة الشغل.
- تفحص ثبات الإقفال من خلال سحب العدة.

فك عدة الشغل (انظر الصورة C)

- ادفع لبيسة الإقفال (2) إلى الخلف وانزع عدة الشغل.

التشغيل

- ◀ أخرج المرمك من العدة الكهربائية قبل إجراء أي أعمال على العدة الكهربائية (على سبيل المثال الصيانة، واستبدال العدد، وما شابه). هناك خطر إصابة بجروح في حالة الضغط على مفتاح التشغيل والإطفاء بشكل غير مقصود.

بدء التشغيل

التشغيل والإطفاء

- لغرض تشغيل العدة الكهربائية اضغط على مفتاح التشغيل والإطفاء (7) وحافظ على إبقائه مضغوطاً.

واجهة المستخدم

- تتلخص وظيفة واجهة المستخدم (12) في اختيار وضع التشغيل وبيان حالة العدة الكهربائية.

مبيّنات الحالة

مبيّن حالة العدة الكهربائية (13)	المعنى	الحل
-	العدة الكهربائية مطفاة	-
أخضر	العدة الكهربائية مشغلة وجاهزة للاستخدام	-

الحل	المعنى	مبين حالة العدة الكهربائية (13)
قم بتشغيل العدة الكهربائية على وضع دوران اللاحمل، واركها حتى تبرد أو قم بتعديل المرمك أو شحنته	تم الوصول إلى مستوى حرج لدرجة الحرارة أو شحنة المرمك على وشك النفاد	أصفر
إترك العدة الكهربائية تبرد و قم بتغيير أو شحن المرمك	العدة الكهربائية ساخنة للغاية أو المرمك فارغ الشحنة	أحمر
شحن المرمك أو استخدام نوع المرمك الموصى به	شحنة المرمك منخفضة للغاية	
- قم بتشغيل العدة الكهربائية وأطفائها مرة أخرى، أو أخرج المرمك وأعد تركيبه إذا استمر حدوث الخُطأ: - قم بإرسال العدة الكهربائية لخدمة العملاء	خطأ عام	

الحل	المعنى/السبب	مبين حالة شحن المرمك (واجهة المستخدم) (18)
-	المرمك مشحون	أخضر (شريطان إلى 5 شطرات)
قرب تغيير أو شحن المرمك	شحنة المرمك على وشك النفاد	باللون الأصفر (شرطة واحدة)
تغيير أو شحن المرمك	المرمك فارغ	أحمر (شرطة واحدة)

الحل	المعنى/السبب	مبين درجة الحرارة (14)
اترك العدة الكهربائية حتى تبرد، أو قم بتغيير المرمك	ارتفاع درجة حرارة تشغيل المرمك أو العدة الكهربائية بشكل واضح، ويتم تقليل القدرة	أصفر
اترك العدة الكهربائية حتى تبرد، أو قم بتغيير المرمك	تجاوز درجة حرارة تشغيل المرمك أو العدة الكهربائية، يتم إطفاء العدة الكهربائية لحمايتها	أحمر

اختيار وضع العمل

كرر الضغط على الزر (16) لاختيار وضع العمل، إلى أن يضيء وضع العمل المرغوب.

الوظائف

وضع العمل 100% (مع البدء بإدارة هادئة Adaptive Speed Control): ارتفاع محكوم في سرعة الدوران حتى أقصى قدرة فترة تشغيل أقصر للمرمك	بيان وضع العمل 100% (15)
وضع العمل 70% (مع البدء بإدارة هادئة Adaptive Speed Control): ارتفاع محكوم في سرعة الدوران حتى قدرة مخفضة لمعالجة الخامات المساسة، فترة تشغيل أطول للمرمك	بيان وضع العمل 70% (17)

إرشادات العمل

شحذ عدد النحت

يمكن التوصل إلى نتائج جيدة بواسطة عدد النحت المعادة فقط، لذا ينبغي شحذ عدد النحت في الوقت المناسب. ويضمن ذلك مدة صلاحية طويلة الأمد ونتائج شغل جيدة.

إعادة الشحذ

اشحذ عدد النحت بأقراص الشحذ، كالياقوت الكريم مثلاً، مع امداد منتظم بالماء. احرص على ألا تظهر ألوان ناتجة عن التلدين على حواف القطع، حيث يؤثر

ذلك سلباً في صلابة الأزاميل.
من أجل **طرقه** ينبغي أن يحمي الإزميل إلى حد 850 حتى 1050 درجة مئوية (أحمر فاتح إلى أصفر).
من أجل **تصليده** ينبغي أن تلمي الإزميل إلى حد 900 درجة مئوية تقريباً وأن تسقيه بالزيت. ثم اتركه بالفرن لمدة ساعة واحدة تقريباً عند درجة حرارة 320 درجة مئوية للتلدين (لون التلدين أزرق فاتح).

تجد المزيد من عناوين الخدمة تحت:
www.bosch-pt.com/serviceaddresses

النقل

تضع مراكم أيونات الليثيوم الموصى بها لاشتراطات قانون المواد الخطرة. يسمح للمستخدم أن يقوم بنقل المراكم على الطرقات دون التقييد بأية شروط إضافية.

عندما يتم إرسالها عن طريق طرف آخر (مثلا: الشحن الجوي أو شركة شحن)، يتوجب التقييد بشروط خاصة بصدد التغليف ووضع العلامات. ينبغي استشارة خبير متخصص بنقل المواد الخطرة عندما يرغب بتحضير المركم المراد شحنه في هذه الحالة.

لا تقوم بشحن المراكم إلا إذا كان هيكلها الخارجي سليماً. قم بتغطية الملامسات المكشوفة بلاصقات، وقيم بتغليف المركم بحيث لا يتحرك في الطرد. يرجى أيضاً مراعاة التشريعات المحلية المتعلقة إن وجدت.

التخلص من العدة الكهربائية

يجب التخلص من العدة الكهربائية والمركم والتوايح والتغليف بطريقة صديقة للبيئة عن طريق النفايات القابلة لإعادة التصنيع.

لا تلق العدة الكهربائية والمراكم/البطاريات ضمن النفايات المنزلية!



المراكم/البطاريات:

مراكم أيونات الليثيوم:

يرجى مراعاة الإرشادات الواردة في جزء النقل (انظر „النقل“، الصفحة 80).

وظيفة التحكم الكهربائي في عدد اللفات (Adaptive Speed Control)

لتحكم أفضل ووضع بدء عمل دقيق تبدأ العدة الكهربائية بعدد لفات منخفض، بعدها تتم زيادته إلى عدد اللفات المحدد.



يتم بدء تشغيل وظيفة التحكم الكهربائي في عدد اللفات أوتوماتيكياً، عندما يلامس الإزميل نطاق العمل أثناء الاستخدام. يتم تخفيض عدد اللفات مع تأخير بسيط، عند ابتعاد الإزميل عن نطاق العمل.

كاتم الاهتزازات

يخفض كاتم الاهتزازات المركب الاهتزازات الناتجة.



◀ لا تستمر باستخدام العدة الكهربائية في حال تلف عنصر كاتم الاهتزازات.

الصيانة والخدمة

الصيانة والتنظيف

◀ أخرج المركم من العدة الكهربائية قبل إجراء أي أعمال على العدة الكهربائية (على سبيل المثال الصيانة، واستبدال العدد، وما شابه). هناك خطر إصابة بجروح في حالة الضغط على مفتاح التشغيل والإطفاء بشكل غير مقصود.

◀ للعمل بشكل جيد وآمن حافظ دائماً على نظافة العدة الكهربائية وفتحات التهوية.

◀ يجب تغيير غطاء الوقاية من الغبار التالف على الفور. وينصح أن يتم ذلك من قبل مركز خدمة العملاء.

تشحيم العدة الكهربائية

تم تزليق عدة الشغل بالشحم وجهازه للتشغيل على الفور.

يجب أن يتم تغيير شحم التزليق في إطار أعمال الصيانة أو الإصلاح لدى مركز خدمة معتمد لعدد بوش الكهربائية. يجب أثناء ذلك استخدام شحم التزليق المقرر من بوش.

خدمة العملاء واستشارات الاستخدام

يجيب مركز خدمة العملاء على الأسئلة المتعلقة بإصلاح المنتج وصيانتها، بالإضافة لقطع الغيار. تجد الرسوم التفصيلية والمعلومات الخاصة بقطع الغيار في الموقع:

www.bosch-pt.com

يسر فريق Bosch لاستشارات الاستخدام مساعدتك إذا كان لديك أي استفسارات بخصوص منتجاتنا وملحقاتها.

يلزم ذكر رقم الصنف ذو الفئات العشر وفقاً للوحة صنع المنتج عند إرسال أية استفسارات أو طلبيات قطع غيار.

المغرب

Robert Bosch Morocco SARL

53، شارع الملازم محمد مرود

20300 الدار البيضاء

الهاتف: +212 5 29 31 43 27

البريد الإلكتروني: sav.outillage@ma.bosch.com

فارسی

دستورات ایمنی

نکات ایمنی عمومی برای ابزارهای برقی

⚠ هشدار

کلیه هشدارها،

دستورالعملها، تصاویر و

مشخصات ارائه شده به همراه ابزار برقی را

مطالعه کنید. اشتباهات ناشی از عدم رعایت این

دستورات ایمنی ممکن است باعث برق گرفتگی،

سوختگی و یا سایر جراحات های شدید شود.

کلیه هشدارهای ایمنی و راهنماییها را برای

آینده خوب نگهداری کنید.

عبارت «ابزار برقی» در هشدارها به ابزارهایی که به

پریز برق متصل میشوند (با سیم برق) و یا ابزارهای

برقی باتری دار (بدون سیم برق) اشاره دارد.

ایمنی محل کار

◀ محیط کار را تمیز و روشن نگه دارید.

محیطهای در هم ریخته یا تاریک احتمال بروز حادثه

را افزایش میدهند.

◀ ابزار برقی را در محیطهایی که خطر انفجار

وجود دارد و حاوی مایعات، گازها و بخارهای

مخترقه هستند، به کار نگیرید. ابزارهای برقی

چرقههایی ایجاد میکنند که میتوانند باعث آتش

گرفتن گرد و غبارهای موجود در هوا شوند.

◀ هنگام کار با ابزار برقی، کودکان و سایر

افراد را از دستگاه دور نگه دارید. در

صورتیکه حواس شما پرت شود، ممکن است

کنترل دستگاه از دست شما خارج شود.

ایمنی الکتریکی

◀ دوشاخه ابزار برقی باید با پریز برق تناسب

داشته باشد. هیچگونه تغییری در دوشاخه

ایجاد نکنید. مبدل دوشاخه نباید همراه با

ابزار برقی دارای اتصال زمین استفاده شود.

دوشاخههای اصل و تغییر داده نشده و پریزهای

مناسب، خطر برق گرفتگی را کاهش میدهند.

◀ از تماس بدنی با قطعات متصل به سیم

اتصال زمین مانند لوله، شوفاژ، اجاق برقی و

یخچال خودداری کنید. در صورت تماس بدنی با

سطوح و قطعات دارای اتصال به زمین و همچنین

تماس شما با زمین، خطر برق گرفتگی افزایش

می یابد.

◀ ابزارهای برقی را در معرض باران و رطوبت

قرار ندهید. نفوذ آب به ابزار برقی، خطر شوک

الکتریکی را افزایش میدهد.

◀ از سیم دستگاه برای مقاصد دیگر استفاده

نکنید. هرگز برای حمل ابزار برقی، کشیدن آن

یا خارج کردن دوشاخه از سیم دستگاه

استفاده نکنید. کابل دستگاه را از حرارت،

روغن، لیبهای تیز یا قطعات متحرک دور نگه

دارید. کابلهای آسیب دیده و یا گره خورده خطر

شوک الکتریکی را افزایش میدهند.

◀ هنگام استفاده از ابزار برقی در محیطهای

باز، تنها از کابل رابطی استفاده کنید که برای

محیط باز نیز مناسب باشد. کابل های رابط

مناسب برای محیط باز، خطر برق گرفتگی را کم می کنند.

◀ در صورت لزوم کار با ابزار برقی در محیط و

اماکن مرطوب، باید از یک کلید حفاظتی

جریان خطا و نشستی زمین (کلید قطع کننده

اتصال با زمین) استفاده کنید. استفاده از

کلید حفاظتی جریان خطا و نشستی زمین خطر برق

گرفتگی را کاهش می دهد.

رعایت ایمنی اشخاص

◀ حواس خود را خوب جمع کنید، به کار خود

دقت کنید و با فکر و هوشیاری کامل با ابزار

برقی کار کنید. در صورت خستگی و یا در

صورتی که مواد مخدر، الکل و دارو استفاده

کردهاید، با ابزار برقی کار نکنید. یک لحظه بی

توجهی هنگام کار با ابزار برقی، میتواند جرات

های شدیدی به همراه داشته باشد.

◀ از تجهیزات ایمنی شخصی استفاده کنید.

همواره از عینک ایمنی استفاده نمایید.

استفاده از تجهیزات ایمنی مانند ماسک ضد گرد و

غبار، کفشهای ایمنی ضد لغزش، کلاه ایمنی و

گوشی محافظ متناسب با نوع کار با ابزار برقی،

خطر مجروح شدن را کاهش میدهد.

◀ مواظب باشید که ابزار برقی بطور ناخواسته

بکار نیفتد. قبل از وارد کردن دوشاخه

دستگاه در پریز برق، اتصال آن به باتری،

برداشتن آن و یا حمل دستگاه، باید دقت

کنید که ابزار برقی خاموش باشد. در صورتی

که هنگام حمل دستگاه انگشت شما روی دکمه

قطع و وصل باشد و یا دستگاه را در حالت روشن

به برق بزنید، ممکن است سوانع کاری پیش آید.

◀ قبل از روشن کردن ابزار برقی، همه ابزارهای

تنظیم کننده و آچارها را از روی دستگاه

بردارید. ابزار و آچارهایی که روی بخش های

چرخنده دستگاه قرار دارند، میتوانند باعث ایجاد

جرات شوند.

◀ وضعیت بدن شما باید در حالت عادی قرار

داشته باشد. برای کار جای مطمئنی برای

خود انتخاب کرده و تعادل خود را همواره

حفظ کنید. به این ترتیب میتوانید ابزار برقی را در

وضعتهای غیر منظره بهتر تحت کنترل داشته

باشید.

◀ لباس مناسب بپوشید. از پوشیدن لباسهای

گشاد و حمل زینت آلات خودداری کنید.

موها و لباس خود را از بخشهای در حال

چرخش دستگاه دور نگه دارید. لباسهای

گشاد، موی بلند و زینت آلات ممکن است در

قسمتهای در حال چرخش دستگاه گیر کنند.

◀ در صورتی که تجهیزاتی برای اتصال وسائل

مکش گرد و غبار و یا وسیله جمع کننده گرد

و غبار ارائه شده است، باید مطمئن شوید

که این وسائل درست نصب و استفاده

می شوند. استفاده از وسائل مکش گرد و غبار

مصونیت شما را در برابر گرد و غبار زیادتر میکند.

◀ آشنایی با ابزار به دلیل کار کردن زیاد با آن

نباید باعث سهل انگاری شما و نادیده گرفتن

اصول ایمنی شود. بی دقتی ممکن است باعث

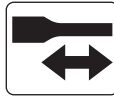
بروز جراحاتی در عرض کسری از ثانیه شود.

- شوند. ایجاد اتصالی بین دو قطب باتری (ترمینالهای باتری) میتواند باعث سوختگی و ایجاد حریق شود.
 - ◀ استفاده بی رویه از باتری میتواند باعث خروج مایعات از آن شود؛ از هر گونه تماس با این مایعات خودداری کنید. در صورت تماس اتفاقی با آن، دست خود و یا محل تماس را با آب بشوئید. در صورت آلوده شدن چشم با این مایع، باید به پزشک مراجعه کنید. مایع خارج شده از باتری میتواند باعث التهاب پوست و سوختگی شود.
 - ◀ هرگز از باتری یا ابزار آسیب دیده یا دست کاری شده استفاده نکنید. باتریهای آسیب دیده ممکن است کارکرد غیر منتظرهای داشته باشند و منجر به آتش سوزی، انفجار یا جراحت شوند.
 - ◀ باتری یا ابزار را در معرض آتش یا دمای زیاد قرار ندهید. قرار گرفتن در معرض آتش یا دمای بالاتر از 130 درجه سانتیگراد میتواند باعث انفجار شود.
 - ◀ همه راهنماییهای مربوط به شارژ را رعایت کنید و باتری یا ابزار را خارج از محدوده دمای تعریف شده در دستورات شارژ نکنید. شارژ کردن نادرست یا در دمای خارج از محدوده تعریف شده ممکن است به باتری صدمه بزند و خطر آتش سوزی را افزایش دهد.
- سرویس**
- ◀ برای تعمیر ابزار برقی فقط به متخصصین حرفهای رجوع کنید و از قطعات یدکی اصل استفاده نمایید. این باعث خواهد شد که ایمنی دستگاه شما تضمین گردد.
 - ◀ هرگز باتریهای آسیب دیده را تعمیر نکنید. باتری باید تنها توسط متخصصین مجاز شرکت تعمیر شوند.
- نکات ایمنی برای چکش ها**
- ◀ دستورالعمل های ایمنی برای انواع عملیات از گوشی ایمنی استفاده کنید. قرار گرفتن در معرض سر و صدا، میتواند به شنوایی آسیب برساند.
 - ◀ از دسته کمکی، در صورتی که به همراه ابزار ارائه شده است استفاده کنید. از دست دادن کنترل بروی ابزار میتواند باعث بروز جراحت شود.
 - ◀ در صورت انجام کارهایی که امکان برخورد با کابلهای حامل جریان برق مخفی وجود دارد، ابزار برقی را از دسته عایق بگیریید. در صورت برخورد با یک کابل حامل "جریان برق" ممکن است قسمتهای فلزی ابزار برقی حامل "جریان برق" شوند و باعث بروز شوک الکتریکی یا برق گرفتگی گردند.
- سایر نکات ایمنی**
- ◀ برای پیدا کردن لوله ها و سیم های پنهان موجود در ساختمان و محدوده کار، از یک دستگاه ردیاب مخصوص برای یافتن لوله ها و سیمهای تأسیسات استفاده کنید و یا با

- استفاده صحیح از ابزار برقی و مراقبت از آن
 - ◀ از وارد کردن فشار زیاد روی دستگاه خودداری کنید. برای هر کاری، از ابزار برقی مناسب با آن استفاده کنید. بکار گرفتن ابزار برقی مناسب باعث میشود که بتوانید از توان دستگاه بهتر و با اطمینان بیشتر استفاده کنید.
 - ◀ در صورت ایراد در کلید قطع و وصل ابزار برقی، از دستگاه استفاده نکنید. ابزار برقی که نمی توان آنها را قطع و وصل کرد، خطرناک بوده و باید تعمیر شوند.
 - ◀ قبل از تنظیم ابزار برقی، تعویض متعلقات و یا کنار گذاشتن آن، دوشاخه را از برق بکشید و یا باتری آنرا خارج کنید. رعایت این اقدامات پیشگیری ایمنی از راه افتادن ناخواسته ابزار برقی جلوگیری می کند.
 - ◀ ابزار برقی را در صورت عدم استفاده، از دسترس کودکان دور نگه دارید و اجازه ندهید که افراد ناوارد و یا اشخاصی که این دفترچه راهنما را نخواندهاند، با این دستگاه کار کنند. قرار گرفتن ابزار برقی در دست افراد ناوارد و بی تجربه خطرناک است.
 - ◀ از ابزار برقی و متعلقات خوب مراقبت کنید. مواظب باشید که قسمت های متحرک دستگاه خوب کار کرده و گیر نکنند. همچنین دقت کنید که قطعات ابزار برقی شکسته و یا آسیب دیده نباشند. قطعات آسیب دیده را قبل از شروع به کار تعمیر کنید. علت بسیاری از سوانح کاری، عدم مراقبت کامل از ابزارهای برقی می باشد.
 - ◀ ابزار برش را تیز و تمیز نگه دارید. ابزار برشی که خوب مراقبت شده و از لبه های تیز برخوردار است، کمتر در قطعه کار گیر کرده و بهتر قابل هدایت است.
 - ◀ ابزار برقی، متعلقات، متهای دستگاه و غیره را مطابق دستورات این جزوه راهنما به کار گیرید و به شرایط کاری و نوع کار نیز توجه داشته باشید. استفاده از ابزار برقی برای عملیاتی به جز مقاصد در نظر گرفته شده، میتواند به بروز شرایط خطرناک منجر شود.
 - ◀ دستها و سطوح عایق را همواره خشک، تمیز و عاری از روغن و گریس نگه دارید. دسته های لغزنده مانع ایمنی و کنترل در کار در شرایط غیر منتظره هستند.
- مراقبت و طرز استفاده از ابزارهای شارژی**
- ◀ باتریها را منحصراً توسط شارژرهایی که توسط سازنده توصیه شدهاند، شارژ کنید. در صورتی که برای شارژ باتری، آنرا در شارژری قرار دهید که برای آن باتری ساخته نشده است، خطر آتش سوزی وجود دارد.
 - ◀ در ابزارهای برقی فقط از باتریهایی استفاده کنید که برای آن نوع ابزار برقی در نظر گرفته شدهاند. استفاده از باتریهای مترقیه میتواند منجر به بروز جراحت و حریق گردد.
 - ◀ در صورت عدم استفاده از باتری باید آنرا از گیره های فلزی، سکه، کلید، میخ، پیچ و دیگر وسائل کوچک فلزی دور نگه دارید، زیرا این وسائل ممکن است باعث ایجاد اتصالی

علائم و مفهوم آنها

برای تعویض ابزار مورد استفاده،
بوش قفل کننده را به عقب
بکشید.



برای تغییر موقعیت قلم، رینگ تنظیم
قلم را به جلو فشار دهید و آن را
بچرخانید.



توضیحات محصول و کارکرد

همه دستورات ایمنی و راهنماییها را
بخوانید. اشتباهات ناشی از عدم رعایت
این دستورات ایمنی ممکن است باعث
برقگرفتگی، سوختگی و یا سایر جراحات
های شدید شود.



به تصویرهای واقع در بخشهای اول دفترچه راهنما
توجه کنید.

موارد استفاده از دستگاه

این ابزار برقی برای قلم کاری (قلم زنی) در بتن، آجر،
سنگ و آسفالت مناسب بوده و همچنین با استفاده
از متعلقات مناسب برای فروکردن مواد و متراکم
نمائی کردن مناسب است.

اجزاء دستگاه

شماره گذاری تصاویر اجزاء دستگاه بر اساس شکل
ابزار برقی در صفحه تصاویر است.

- (1) کلاهک محافظت در برابر گرد و غبار
- (2) بوش قفل کننده
- (3) رینگ تنظیم قلم (Vario-Lock)
- (4) کاهش دهنده لرزش و ارتعاش
- (5) دکمه تثبیت کلید روشن/خاموش
- (6) دسته (دارای روکش عایق)
- (7) کلید روشن/خاموش
- (8) باتری قابل شارژ^{a)}
- (9) دسته کمکی (دارای روکش عایق)
- (10) چراغ کار
- (11) دکمه آزادسازی باتری قابل شارژ^{a)}
- (12) User Interface (رابط کاربری)
- (13) نشانگر وضعیت ابزار برقی (User Interface)
- (14) نشانگر دما (User Interface)
- (15) نشانگر حالت کار 100% (User Interface)
- (16) دکمه انتخاب حالت کار (User Interface)
- (17) نشانگر حالت کار 70% (User Interface)
- (18) نشانگر وضعیت شارژ باتری (User Interface)

شرکت های کارهای تأسیسات ساختمان و
خدمات مربوطه تماس بگیرید. تماس با کابل و
سیمهای برق ممکن است باعث آتشسوزی و یا
برق گرفتگی شود. ایراد و آسیب دیدگی لوله گاز
میتواند باعث انفجار شود. سوراخ شدن لوله آب
باعث ایجاد خسارت میشود.

◀ قبل از کنار گذاشتن ابزار برقی صبر کنید تا
دستگاه بطور کامل از کار و حرکت بایستد.
ابزار ممکن است به قطعه کار گیر کرده و کنترل
ابزار برقی از دست شما خارج شود.

◀ قطعه کار را محکم کنید. در صورتیکه قطعه کار
به وسیله تجهیزات نگهدارنده و یا بوسیله گیره
محکم شده باشد، قطعه کار مطمئن تر نگه داشته
میشود، تا اینکه بوسیله دست نگهداشته شود.

◀ بلافاصله پس از کار، به هیچ وجه به ابزارهای
مورد استفاده یا قطعات مجاور بدنه دست
نزنید. این موارد می توانند در حین کار خیلی داغ
شده و باعث سوختگی گردند.

◀ هنگام عملیات تخریب با قلم با احتیاط عمل
کنید. افتادن قطعات ناشی از مواد تخریب،
می توانند به اطرافیان یا خود شما آسیب برسانند.

◀ در صورتیکه باتری آسیب دیده باشد و یا از
آن بطور بی رویه استفاده شود، ممکن است
از باتری بخارهایی بلند شود. باتری ممکن
است آتش بگیرد یا منفجر شود. در این حالت
هوای محیط را تازه کنید؛ اگر احساس ناراحتی
کردید، به پزشک مراجعه نمایید. استنشاق این
بخارها ممکن است به مجاری تنفسی شما آسیب
برساند.

◀ باتری را باز نکنید. خطر اتصال کوتاه وجود دارد.
◀ بوسیله ی اشیاء تیز مانند میخ یا پیچگوشتی یا
تأثیر نیروی خارجی ممکن است باتری آسیب
ببیند. ممکن است اتصال داخلی رخ دهد و باتری
آتش گیرد، دود کند، منفجر شود یا بیش از حد
داغ گردد.

◀ از باتری قابل شارژ فقط در محصولات سازنده
استفاده کنید. فقط در این صورت از باتری در
برابر بار اضافی خطرناک محافظت می شود.

باتری را در برابر حرارت، از جمله در
برابر تابش مداوم خورشید و همچنین
در برابر آتش، آلودگی، آب و رطوبت
محفوظ بدارید. خطر اتصالی و انفجار
وجود دارد.



◀ ابزار برقی را هنگام کار با دو دست محکم
بگیرید و وضعیت خود را ثابت و مطمئن کنید.
ابزار برقی با دو دست مطمئن تر هدایت می
شود.

علامت ها

علائم و نماد های زیر و معانی آنها میتوانند برای کار
و استفاده از ابزار برقی شما پر اهمیت باشند. لطفاً
این علائم و مفهوم آنها را خوب بخاطر بسپارید.
تفسیر صحیح این علائم به شما کمک میکند که ابزار
برقی را بهتر و مطمئن تر مورد استفاده قرار بدهید.

(19) مهره آج دار برای دسته کمکی
این متعلقات در محدوده استاندارد تحویل
نیستند.

مشخصات فنی

چکش ضربه ای شارژی		GSH 18V-5	
شماره فنی		3 611 J18 2..	
ولتاژ نامی	V=	18	
تعداد ضربه ^(A)	min ⁻¹	3050	
ابزارگیر		SDS max	
وزن ^(B)	kg	6,6-5,6	
دمای توصیه شده محیط هنگام شارژ	°C	0 ... +35	
دمای مجاز محیط هنگام کار ^(C) و هنگام انبار کردن	°C	-20 ... +50	
باتری های قابل شارژ سازگار		GBA 18V... ProCORE18V...	
باتری های قابل شارژ توصیه شده برای توان کامل		ProCORE18V... Ah 5,5≤	
شارژرهای توصیه شده		GAL 18... GAX 18... GAL 36...	

(A) اندازه گیری شده در دمای °C 25-20 با باتری قابل شارژ ProCORE18V 12.0Ah.

(B) بسته به نوع باتری کاربردی

(C) توان محدود برای دمای °C 0 <

مقادیر ممکن است بسته به محصول متفاوت باشند و بستگی به شرایط استفاده و محیطی دارند. اطلاعات بیشتر را در سایت www.bosch-professional.com/wac مشاهده نمایید.

باتری قابل شارژ

Bosch ابزارهای برقی شارژی را هم بدون باتری قابل شارژ می فروشد. در بسته بندی می توانید دریابید که آیا باتری قابل شارژ در محتویات ارسالی ابزار برقی شما وجود دارد یا خیر.

شارژ کردن باتری قابل شارژ

⬅ **تنها شارژرهای ذکر شده در مشخصات فنی را بکار برید.** تنها این دستگاه های شارژ با باتری های لیتیوم-یونی (Li-Ion) ابزار برقی شما منطبق میباشند.

نکته: باتری های قابل شارژ لیتیوم یونی به دلیل قوانین حمل و نقل بین المللی به صورت نیمه شارژ تحویل داده می شوند. برای دست یافتن به توان کامل باتری قابل شارژ، قبل از به کارگیری آن برای اولین بار، باتری را به طور کامل شارژ کنید.

نحوه قرار دادن باتری قابل شارژ

باتری شارژ شده را به داخل محفظه باتری قابل شارژ برانید تا جا بیفتد.

نحوه برداشتن باتری قابل شارژ


برای برداشتن باتری قابل شارژ، دکمه های آزادسازی باتری را فشار دهید و آن را خارج کنید. **هنگام انجام این کار از اعمال فشار خودداری کنید.**

باتری قابل شارژ دارای 2 مرحله قفل می باشد که مانع از بیرون افتادن باتری قابل شارژ در اثر فشار ناخواسته روی دکمه آزادسازی باتری می شود. تا زمانی که باتری قابل شارژ داخل ابزار برقی قرار داشته باشد، توسط یک فنر در موقعیت خود نگه داشته می شود.

نشانهگر وضعیت شارژ باتری

نکته: هر نوع باتری قابل شارژ دارای نشانگر میزان شارژ نیست.

چراغهای سبز LED نشانگر وضعیت شارژ باتری، وضعیت شارژ باتری را نشان میدهند. به دلایل ایمنی، فراخوانی وضعیت شارژ باتری تنها در حالت توقف ابزار برقی ممکن است.

دکمه را جهت پدیدار شدن نشانگر وضعیت شارژ  وضعیت شارژ فشار دهید. این کار هنگامی که باتری برداشته شده باشد نیز ممکن است. چنانچه پس از فشردن دکمه نشانگر وضعیت شارژ هیچ LED روشن نشود، باتری خراب است و باید تعویض گردد.

وضعیت شارژ باتری روی User Interface (رابط کاربری) نیز نمایش داده می شود (رجوع کنید به „User Interface“ (رابط کاربری)، صفحه 86).

نوع باتری GBA 18V...



ظرفیت	LED
3 عدد چراغ سبز ممتد	100-60 %
2 عدد چراغ سبز ممتد	60-30 %
1 عدد چراغ سبز ممتد	30-5 %
1 عدد چراغ سبز چشمک زن	5-0 %

نوع باتری ProCORE18V...



ظرفیت	LED
5 عدد چراغ سبز ممتد	100-80 %
4 عدد چراغ سبز ممتد	80-60 %
3 عدد چراغ سبز ممتد	60-40 %
2 عدد چراغ سبز ممتد	40-20 %
1 عدد چراغ سبز ممتد	20-5 %
1 عدد چراغ سبز چشمک زن	5-0 %

توضیحات و تذکراتی برای نحوه بهینه کار با باتری

باتری را در برابر رطوبت و آب حفظ کنید.

طرز کار با دستگاه

◀ قبل از انجام هر گونه کاری با ابزار برقی (از جمله سرویس و نگهداری، تعویض ابزار و غیره)، باتری قابل شارژ را از داخل ابزار برقی خارج کنید. در صورت فشردن اتفافی کلید روشن/خاموش، خطر آسیب دیدگی وجود دارد.

راه اندازی و نحوه کاربرد دستگاه

نحوه روشن و خاموش کردن

- برای راه اندازی ابزار برقی، کلید قطع و وصل (7) را فشار داده و آنرا در حالت فشرده نگه دارید.

- برای ثابت کردن کلید قطع و وصل فشرده شده (7) دکمه ی تثبیت (5) را فشار دهید.

- جهت خاموش کردن ابزار برقی، کلید قطع و وصل (7) را رها کنید یا در صورت قفل بودن دکمه تثبیت (5) کلید قطع و وصل (7) را کوتاه فشار دهید و آن را رها کنید.

در دماهای پایین، ابزار برقی با تأخیر به توان ضربه زدن واقعی خود می رسد.

قفل کلید

◀ ابزار برقی به یک قفل کلید مجهز است تا از روشن شدن ناخواسته آن جلوگیری شود.

فعال کردن قفل کلید:

- وقتی دستگاه خاموش است، قفل کلید را فشار دهید (5).

این کار کلید روشن/خاموش (7) را تثبیت می کند و از روشن شدن دستگاه جلوگیری می شود.

غیر فعال کردن قفل کلید:

- قفل کلید تثبیت شده را فشار دهید (5).

با این کار کلید روشن/خاموش (7) باز می شود و ابزار برقی را می توان به کار انداخت.

چراغ کار

چراغ کار (10) هنگامی که کلید روشن/خاموش (7) نیمه فشرده یا در حالت فشردگی کامل باشد، روشن می شود و در شرایط نامناسب نور، امکان روشن کردن محیط کار را فراهم می کند.

تنظیم تعداد ضربه

می توانید تعداد ضربه ابزار برقی را در حالت روشن، برحسب اینکه تا چه اندازه کلید روشن/خاموش (7) را فشار می دهید، به تدریج تنظیم نمایید.

فشار کم روی کلید روشن/خاموش (7)، تعداد ضربه را کاهش می دهد. با افزایش فشار، تعداد ضربه بیشتر می شود.

تغییر حالت قلم (Vario-Lock) (رجوع کنید به تصویر D)

شما میتوانید قلم را در 12 حالت تغییر دهید. به این ترتیب میتوانید بهترین حالت کار را انتخاب کنید.

- قلم را در ابزارگیر دستگاه قرار دهید.

- رینگ تغییر قلم (3) را به جلو برانید و با رینگ تغییر قلم (3) قلم را به حالت دلخواه بچرخانید.

- رینگ تغییر قلم (3) را رها کنید و قلم را بچرخانید تا جا بیفتد.

باتری را منحصراً در دمای بین -20 تا 50 درجه نگهداری کنید. بطور مثال باتری را در تابستان داخل اتومبیل نگذارید.

گاهیگاه شیارهای تهویه باتری را بوسیله یک قلم موی یا برس کوچک نرم و خشک تمیز کنید.

افت قابل توجه مدت زمان کارکرد باتری که تازه شارژ شده است، نمایانگر آن است که باتری فرسوده و مستعمل شده و باید تعویض شود.

به نکات مربوط به نحوه از رده خارج کردن باتری توجه کنید.

نصب

◀ قبل از انجام هر گونه کاری با ابزار برقی (از جمله سرویس و نگهداری، تعویض ابزار و غیره)، باتری قابل شارژ را از داخل ابزار برقی خارج کنید. در صورت فشرده شدن اتفافی کلید روشن/خاموش، خطر آسیب دیدگی وجود دارد.

دسته کمکی (رجوع کنید به تصویر A)

◀ از ابزار برقی تنها با دسته ی کمکی (9) استفاده کنید.

دسته اضافی (9) را می توانید به دلخواه بچرخانید و/یا حرکت دهید تا به وضعیت کاری ایمن و بدون خستگی برسید.

- مهره آج دار (19) را شل کنید، دسته کمکی (9) را بچرخانید و/یا حرکت دهید تا محور دستگاه در حالت دلخواه قرار گیرد و مهره آج دار (19) را دوباره سفت کنید.

تعویض ابزار

توسط ابزارگیر مجهز به SDS max می توان ابزار مورد استفاده را آسان و راحت بدون استفاده از سایر ابزارآلات عوض کرد.

کلاهک محافظت در برابر گرد و غبار (1) تا حدود زیادی از نفوذ گرد و غبار به داخل ابزارگیر در حین کار جلوگیری می کند. هنگام قرار دادن ابزار دقت کنید که کلاهک محافظت در برابر گرد و غبار (1) آسیب نبیند.

◀ کلاهک محافظت در برابر گرد و غبار را در صورت آسیب دیدن فوراً عوض کنید. توصیه میشود اینکار را توسط تعمیرگاه مجاز (خدمات پس از فروش) انجام دهید.

قرار دادن ابزار (رجوع کنید به تصویر B)

- انتهای ابزار را برای جاگذاری آن تمیز کرده و قسمت انتهائی آنرا کمی چرب کنید.

- آداپتور قفل (2) را به عقب برانید و ابزار را چرخان در ابزارگیر قرار دهید. آداپتور قفل (2) را دوباره رها کنید تا ابزار قفل شود.

- با کشیدن ابزار از قفل شدن آن مطمئن شوید.

برداشتن ابزار (رجوع کنید به تصویر C)

- آداپتور قفل (2) را به عقب برانید و ابزار را چرخان از ابزارگیر بردارید.

User Interface (رابط کاربری)

رابط کاربری (12) برای انتخاب حالت کار و همچنین برای نشانگر وضعیت ابزار برقی استفاده می شود.

نمایشگرهای وضعیت

نشانگر وضعیت ابزار برقی (13)	مفهوم	راه حل
-	ابزار برقی خاموش است	-
سبز	ابزار برقی روشن شده و آماده استفاده است	-
زرد	دما به وضعیت هشدار رسیده یا باتری قابل شارژ تقریباً خالی است	اجازه دهید ابزار برقی در حالت بدون بار کار کند و خنک شود یا باتری قابل شارژ را سریعاً تعویض یا شارژ کنید
قرمز	ابزار برقی بیش از حد داغ شده یا باتری قابل شارژ خالی است	بگذارید ابزار برقی خنک شود یا باتری قابل شارژ را تعویض یا شارژ کنید
	خطای کلی	باتری را شارژ کنید یا از نوع توصیه شده باتری قابل شارژ استفاده نمایید
		- ابزار برقی را خاموش و دوباره روشن کنید یا باتری قابل شارژ را خارج کرده و دوباره جاگذاری نمایید
		اگر خطا همچنان به قوت خود باقی است:
		- ابزار برقی را به مرکز خدمات مشتریان ارسال نمایید

نشانگر وضعیت شارژ باتری (User Interface) (18)	معنی/دلیل	راه حل
سبز (2 تا 5 خط)	باتری شارژ شده است	-
زرد (1 خط)	باتری تقریباً خالی است	باتری را زود تعویض یا شارژ کنید
قرمز (1 خط)	باتری خالی است	باتری را تعویض یا شارژ کنید

نشانگر دما (14)	معنی/دلیل	راه حل
زرد	دمای کار باتری قابل شارژ یا ابزار برقی به میزان قابل توجهی افزایش یافته است، توان کاهش می یابد	اجازه دهید ابزار برقی خنک شود یا باتری قابل شارژ بیش از حد گرم شده را تعویض کنید
قرمز	دمای کار باتری قابل شارژ یا ابزار برقی از حد مجاز فراتر رفته است، ابزار برقی جهت محافظت خاموش می شود	اجازه دهید ابزار برقی خنک شود یا باتری قابل شارژ بیش از حد گرم شده را تعویض کنید

انتخاب حالت کار

دکمه (16) را برای انتخاب حالت کار چند بار فشار دهید تا حالت کار مورد نظر شما روشن شود.

عملکردها	
نشانگر حالت کار 100%	حالت 100% (با استارت آهسته Adaptive Speed Control): بالا رفتن کنترل شده سرعت تا حداکثر توان مدت کارکرد کوتاه تر باتری قابل شارژ
نشانگر حالت کار 70%	حالت 70% (با استارت آهسته Adaptive Speed Control): بالا رفتن کنترل شده سرعت تا توان کاهش یافته و محدود برای کار روی مواد حساس؛ مدت کارکرد بیشتر باتری قابل شارژ

گردد. بدین منظور بایستی از روغن (گريس) مخصوص بوش استفاده شود.

خدمات و مشاوره با مشتریان

خدمات مشتری، به سؤالات شما درباره تعمیرات، سرویس و همچنین قطعات یدکی پاسخ خواهد داد. نقشه‌های سه بعدی و اطلاعات مربوط به قطعات یدکی را در تارنمای زیر میباید:

www.bosch-pt.com

گروه مشاوره به مشتریان Bosch با کمال میل به سؤالات شما درباره محصولات و متعلقات پاسخ می دهند.

برای هرگونه سؤال و یا سفارش قطعات یدکی، حتماً شماره فنی 10 رقمی کالا را مطابق برچسب روی ابزار برقی اطلاع دهید.

ایران

روبرت بوش ایران - شرکت بوش تجارت پارس
میدان ونک، خیابان شهید خدای، خیابان آفتاب
ساختمان مادران، تهران، شماره 3، طبقه سوم.
تهران 1994834571

تلفن: 42039000 +9821

آدرس سایر دفاتر خدماتی را در ادامه ببینید:
www.bosch-pt.com/serviceaddresses

حمل دستگاه

باتری های لیتیوم یونی توصیه شده، مشمول الزامات قانون کالاهای خطرناک هستند. کاربر می تواند باتری ها را بدون استفاده از روکش در خیابان حمل کند.

در صورت ارسال توسط شخص ثالث (مانند: حمل و نقل هوایی یا زمینی) باید تمهیدات مربوط به بسته بندی و علامت گذاری مورد توجه قرار گیرد. در اینصورت باید حتما جهت آماده سازی قطعه ارسال به کارشناس حمل کالاهای پر خطر مراجعه کرد.

باتریها را فقط در صورتی ارسال کنید که بدنه آنها آسیب ندیده باشد. اتصالات (کنتاکتهای) باز را بپوشانید و باتری را طوری بسته بندی کنید که در بسته بندی تکان نخورد. در این باره لطفاً به مقررات و آیین نامه های ملی توجه کنید.

از رده خارج کردن دستگاه

ابزارهای برقی، باتری ها، متعلقات و بسته بندی ها، باید طبق مقررات حفظ محیط زیست از رده خارج و بازیافت شوند.

ابزار برقی و باتری ها/ باتری های قابل شارژ را داخل زیاله دان خانگی نیندازید!



**باتریهای شارژی/قلمی:
لیتیوم-یونی:**

لطفاً به تذکرات بخش (رجوع کنید به «حمل دستگاه»، صفحه 87) توجه کنید.

راهنمائیهای عملی

تیز کردن ابزار قلم کاری و تخریب

تنها ابزار تراش و قلم زنی تیز نتایج خوبی بدست میدهد، بنابراین ابزار قلم کاری را به موقع تیز کنید. این باعث افزایش طول عمر ابزار شده و نتیجه کاری خوبی به همراه دارد.

سایبکاری دوباره

ابزارهای قلم کاری را بوسیله صفحه ساب، مثلاً با کوراندوم مرغوب (یک نوع سنگ معدنی بسیار سخت) تحت جریان منظم آب تیز کنید. دقت کنید که که لبه ها سوخته نباشند، این به سختی ابزار قلم کاری صدمه می زند.

جهت شکلهی قلم را از 850 تا 1050 °C (قرمز روشن تا زرد) داغ کنید.

برای **ابکاری** قلم را حدود 900 °C داغ کنید و در روغن خفه کنید. سپس آن را در کوره با حرارت 320 °C (رنگ حرارتی آب روشن) قرار دهید.

کنترل الکترونیکی سرعت (Adaptive Speed Control)

برای کنترل بهتر و شروع کار دقیق، ابزار برقی با سرعت پایین شروع به کار می کند و سپس برحسب سرعت تنظیم شده افزایش می یابد.



هنگامی که قلم در حین استفاده با محل کار تماس پیدا می کند، کنترل سرعت الکترونیکی به طور خودکار راه اندازی می شود. هنگامی که قلم از محل کار برداشته می شود، سرعت با تأخیر زمانی کاهش می یابد.

کاهش دهنده لرزش و ارتعاش

کاهش دهنده لرزش و ارتعاش تعبیه شده، مقدار لرزشهای ایجاد شده را کاهش میدهد.



◀ چنانچه عضو کاهنده لرزش و ارتعاش ابزار برقی آسیب دیده باشد، از ابزار برقی دیگر استفاده نکنید.

مراقبت و سرویس

مراقبت، تعمیر و تمیز کردن دستگاه

◀ قبل از انجام هر گونه کاری با ابزار برقی (از جمله سرویس و نگهداری، تعویض ابزار و غیره)، باتری قابل شارژ را از داخل ابزار برقی خارج کنید. در صورت فشرده شدن اتفاقی کلید روشن/خاموش، خطر آسیب دیدگی وجود دارد.

◀ ابزار الکتریکی و شیارهای تهویه آنرا تمیز نگاه دارید، تا ایمنی شما در کار تضمین گردد.

◀ کلاهک محافظت در برابر گرد و غبار را در صورت آسیب دیدن فوراً عوض کنید. توصیه میشود این کار را از طریق تعمیرگاه مجاز (خدمات پس از فروش) انجام دهید.

روغن کاری ابزار برقی

ابزار برقی روغنکاری شده و آماده کار است.

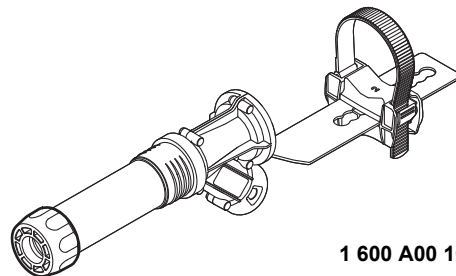
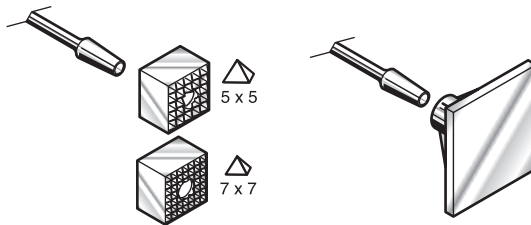
روغنکاری مجدد تنها در چارچوب سرویس و تعمیر توسط یکی از نمایندگیهای مجاز بوش انجام می



2 608 901 476



2 608 901 477



1 600 A00 1G9