



GMS 120-27 Professional

Robert Bosch Power Tools GmbH
70538 Stuttgart
GERMANY

www.bosch-pt.com

1 609 92A 92J (2023.11) T / 123



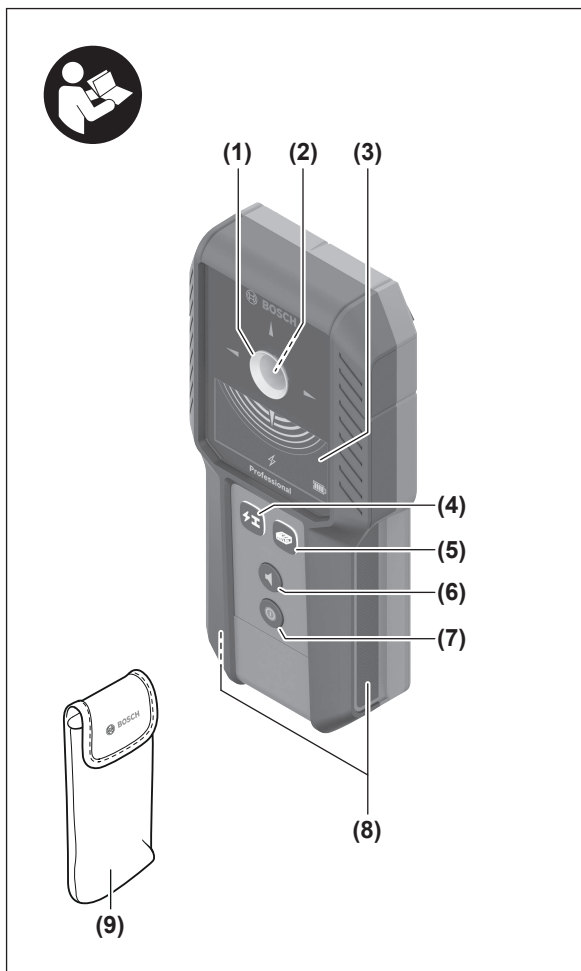
1 609 92A 92J

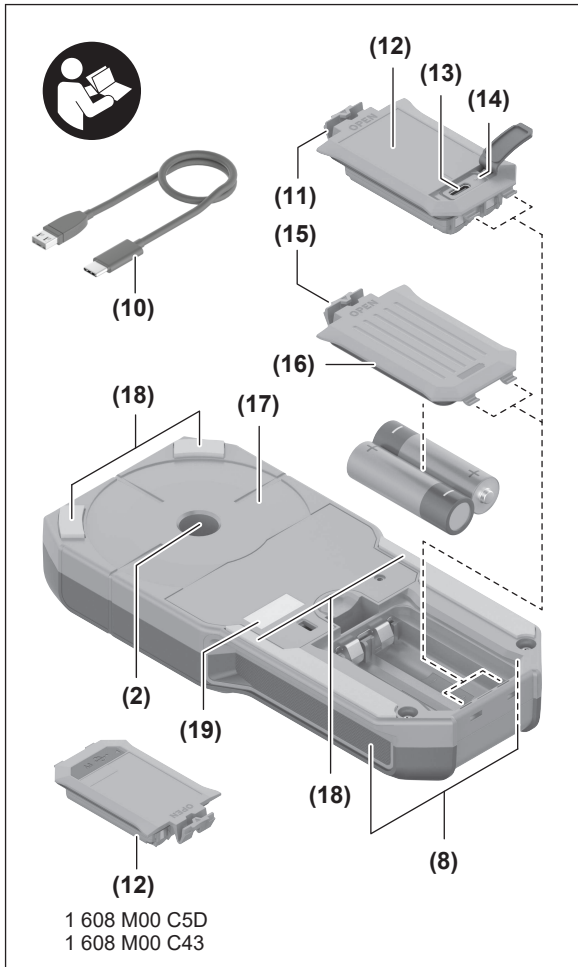


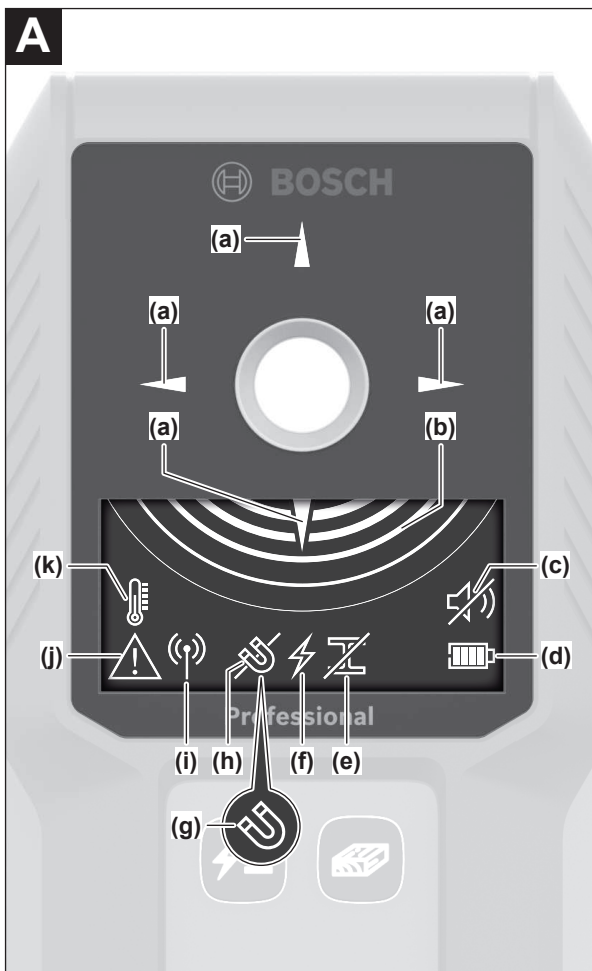
- en Original instructions
- ja オリジナル取扱説明書
- zh 正本使用说明书
- zh 原始使用說明書
- ko 사용 설명서 원본
- th หนังสือคู่มือการใช้งานฉบับต้นแบบ
- id Petunjuk-Petunjuk untuk Penggunaan Orisinal
- vi Bản gốc hướng dẫn sử dụng

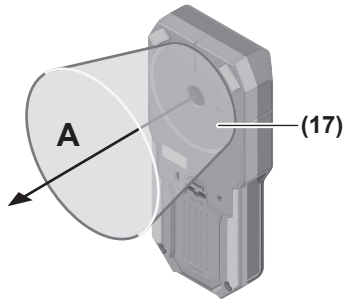
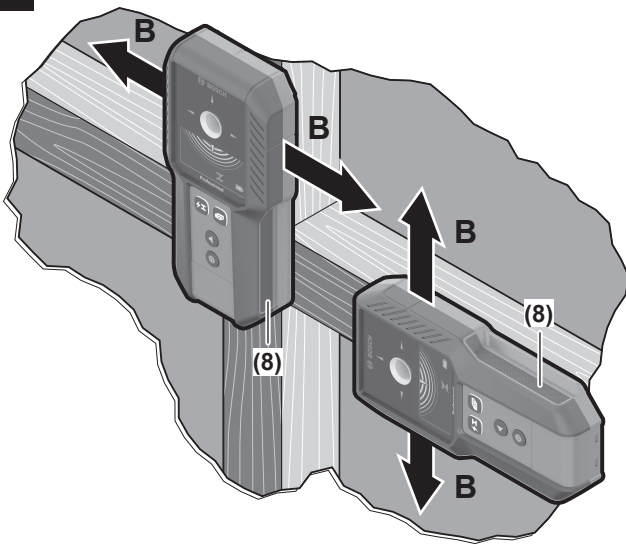


English	Page	7
日本語	ページ	21
中文	页	35
繁體中文	頁	48
한국어	페이지	61
ไทย	หน้า	75
Bahasa Indonesia	Halaman	89
Tiếng Việt	Trang	104







B**C**

English

Safety Instructions



All instructions must be read and observed. The safeguards integrated into the measuring tool may be compromised if the measuring tool is not used in accordance with these instructions. **STORE THESE INSTRUCTIONS IN A SAFE PLACE.**

- ▶ **Have the measuring tool serviced only by a qualified specialist using only original replacement parts.** This will ensure that the safety of the measuring tool is maintained.
- ▶ **Do not use the measuring tool in explosive atmospheres which contain flammable liquids, gases or dust.** Sparks may be produced inside the measuring tool, which can ignite dust or fumes.
- ▶ **Do not open the battery.** There is a risk of short-circuiting.
- ▶ **In case of damage and improper use of the battery, vapours may be emitted. The battery can set alight or explode.** Ensure the area is well ventilated and seek medical attention should you experience any adverse effects. The vapours may irritate the respiratory system.
- ▶ **If used incorrectly or if the battery is damaged, flammable liquid may be ejected from the battery. Contact with this liquid should be avoided. If contact accidentally occurs, rinse off with water. If the liquid comes into contact with your eyes, seek additional medical attention.** Liquid ejected from the battery may cause irritation or burns.
- ▶ **The battery can be damaged by pointed objects such as nails or screwdrivers or by force applied externally.** An internal short circuit may occur, causing the battery to burn, smoke, explode or overheat.
- ▶ **When the battery is not in use, keep it away from paper clips, coins, keys, nails, screws or other small metal objects that could make a connection from one terminal to another.** A short circuit between the battery terminals may cause burns or a fire.
- ▶ **Only use the battery with products from the manufacturer.** This is the only way in which you can protect the battery against dangerous overload.
- ▶ **Only charge the batteries using chargers recommended by the manufacturer.** A charger that is suitable for one type of battery may pose a fire risk when used with a different battery.



Protect the battery against heat, e.g. against continuous intense sunlight, fire, dirt, water and moisture. There is a risk of explosion and short-circuiting.

- ▶ **The measuring tool may not be 100 % accurate for technological reasons. To eliminate hazards, familiarise yourself with further sources of information, such as building plans and photographs taken during construction, etc. before carrying out any drilling, sawing or routing work on walls, ceilings or floors.** Environmental influences, such as humidity, or proximity to devices that generate strong electric, magnetic or electromagnetic fields, moisture, metallic building materials, foil-laminated insulation materials or conductive wallpaper or tiles may impair the accuracy of the measuring tool. The number, type, size and position of the objects may distort the measuring results.
- ▶ **If there are gas pipes in the building, check to ensure that none of them have been damaged after completing any work on walls, ceilings or floors.**
- ▶ **When attaching objects to dry walls, and in particular when attaching them to the substructure, check to ensure that both the wall and the fastening materials have a sufficient load-bearing capacity.**

Safety instructions for power supply

- ▶ **This power supply is not intended for use by children or persons with physical, sensory or mental limitations or a lack of experience or knowledge. This power supply can be used by children aged 8 or older and by persons who have physical, sensory or mental limitations or a lack of experience or knowledge if a person responsible for their safety supervises them or has instructed them in the safe operation of the power supply and they understand the associated dangers.** Otherwise, there is a risk of operating errors and injuries.



Do not expose the power supply to rain or wet conditions. Water entering the power supply will increase the risk of electric shock.

- ▶ **Keep the power supply clean.** Dirt poses a risk of electric shock.
- ▶ **Always check the power supply before using it. Stop using the power supply if you discover any damage. Do not open the power supply yourself, and have it repaired only by Bosch or by an authorised after-sales service centre using only original replacement parts.** Damaged power supplies increase the risk of an electric shock.

Product Description and Specifications

Please observe the illustrations at the beginning of this operating manual.

Intended Use

The measuring tool is intended for the detection of metal (ferrous and non-ferrous metals, e.g. reinforcing steel), wooden beams and live wires in walls, ceilings and floors. The measuring tool is suitable for indoor and outdoor use.

Product features

The numbering of the product features shown refers to the illustration of the measuring tool on the graphic page.

- (1) Light-up ring
- (2) Marking hole
- (3) Display
- (4) Metal/electricity button
- (5) Wood button
- (6) Audio signal button
- (7) On/off button
- (8) Gripping surface
- (9) Protective bag
- (10) USB Type-C® cable^{a)b)}
- (11) Lithium-ion battery pack locking mechanism^{a)}
- (12) Lithium-ion battery pack^{a)}
- (13) USB Type-C® port^{a)}
- (14) Charge indicator of the battery pack^{a)}
- (15) Locking mechanism of the battery compartment cover
- (16) Battery compartment cover
- (17) Sensor area
- (18) Contact pads
- (19) Serial number

- a) **Accessories shown or described are not included with the product as standard. You can find the complete selection of accessories in our accessories range.**
- b) USB Type-C® and USB-C® are trademarks of USB Implementers Forum.

Display Elements (see figure A)

- (a) Object centre indicator
- (b) Measuring indicator
- (c) Audio signal status indicator
- (d) Battery charge indicator
- (e) Non-metallic object indicator
- (f) Live cable indicator
- (g) Magnetic metal indicator
- (h) Non-magnetic metal indicator
- (i) Radio interference indicator
- (j) Warning indicator
- (k) Temperature monitoring indicator

Technical data

Digital detector	GMS 120-27
Article number	3 601 K81 7..
Max. detection depth ^{A)}	
– Non-ferrous metals (copper)	120 mm ^{B)}
– Ferrous metals	100 mm ^{C)}
– Live wires 100–230 V (with voltage applied)	50 mm ^{D)}
– Wooden beams in dry walls	30 mm
Operating temperature	–10 °C to +50 °C
Storage temperature	–20 °C to +70 °C
Operating frequency range	50 ± 2 kHz
Max. magnetic field strength (at 10 m)	42 dBµA/m
Max. altitude	2000 m
Relative air humidity max.	
– For detecting objects	90 %
– For classifying live cables	50 %
Pollution degree according to IEC 61010-1	2 ^{E)}
Power supply	

Digital detector		GMS 120-27
- Lithium-ion battery pack		3.7 V
- Non-rechargeable batteries (alkaline manganese)		2 × 1.5 V LR6 (AA)
- Rechargeable batteries (NiMH)		2 × 1.2 V HR6 (AA)
Operating time, approx.		
- With lithium-ion battery pack		5 h
- With non-rechargeable batteries (alkaline manganese)		6 h
- With rechargeable batteries (NiMH)		7 h
Weight according to EPTA-Procedure 01:2014		
- With lithium-ion battery pack		0.27 kg
- With non-rechargeable batteries (alkaline manganese)/rechargeable batteries (NiMH)		0.29 kg
Dimensions (length × width × height)		186 × 86 × 33 mm
Protection rating		IP54
Lithium-ion battery pack (accessory)		BA 3.7V 1.0Ah A
Article number		1 607 A35 17H
Article number JP		1 607 A35 0N8
Charging connection		USB Type-C®
Rated voltage		3.7 V [≡]
Capacity		1.0 Ah
Recommended ambient temperature during charging		+10 °C to +35 °C
Recommended ambient temperature during operation and during storage		-10 °C to +45 °C
Power supply (accessory)		
Output voltage		5.0 V [≡]

Digital detector**GMS 120-27**

Minimum output current

500 mA

- A) Depends on material and size of the objects, as well as material and condition of the substrate
- B) For a copper pipe with a 15 mm diameter
- C) For reinforcing steel with a 12 mm diameter
- D) Lower detection depth with non-live wires
- E) Only non-conductive deposits occur, whereby occasional temporary conductivity caused by condensation is expected.

The serial number **(19)** on the type plate is used to clearly identify your measuring tool.

- ▶ **The accuracy and detection depth of the measuring result may be negatively affected if the condition of the substrate is unfavorable.**

Measuring Tool Power Supply

The measuring tool can be operated either with a **Bosch** lithium-ion battery pack **(12)**, with commercially available non-rechargeable batteries or with commercially available NiMH rechargeable batteries.

Note: Never store the measuring tool without an inserted battery compartment cover **(16)** or lithium-ion battery pack **(12)**, particularly in dusty or humid environments.

The battery charge indicator **(d)** will indicate the state of charge of the lithium-ion battery pack **(12)**, non-rechargeable batteries or NiMH batteries on the display.

Operation with Lithium-Ion Battery Pack

Inserting/Replacing a Lithium-Ion Battery Pack

To switch from non-rechargeable or NiMH batteries to a lithium-ion battery pack **(12)**, press on the locking mechanism **(15)** of the battery compartment cover. Remove the battery compartment cover **(16)** and the inserted non-rechargeable or rechargeable batteries.

Insert the lithium-ion battery pack **(12)** and let the locking mechanism **(11)** click into place.

To remove the lithium-ion battery pack **(12)**, press the locking mechanism **(11)** and take the lithium-ion battery pack out of the measuring tool.

Charging a Lithium-Ion Battery Pack

- ▶ **For charging, use only a USB power supply unit whose output voltage and minimum output current comply with the requirements in the "Technical Data" section. Observe the operating manual of the USB power supply unit.**

- ▶ **Pay attention to the mains voltage.** The voltage of the power source must match the voltage specified on the rating plate of the power adaptor. Power adaptors marked with 230 V can also be operated with 220 V.
- ▶ **Only use the USB connection to charge the battery at an ambient temperature of between +10 °C and +35 °C.** Charging outside of this temperature range can damage the battery and increase the risk of fire.

Note: Lithium-ion rechargeable batteries are supplied partially charged according to international transport regulations. To ensure full rechargeable battery capacity, fully charge the rechargeable battery before using your tool for the first time.

Open the flap for the USB Type-C® port (13). Connect the USB port to a USB power supply unit using the USB cable (10). Connect the USB power supply unit to the mains supply.

Colour of charge indicator (14)	Meaning
Yellow	Lithium-ion battery pack is being charged.
Green	Lithium-ion battery pack is fully charged.
Red	Charging voltage or charging current is unsuitable.

It is not possible to take measurements during the charging process because the measuring tool cannot be fully placed on the surface.

Remove the USB cable (10) after completing the charging process. Close the flap for the USB Type-C® port (13) to protect it from dust and splashes.

Operation with Batteries/Rechargeable Batteries

To switch from a lithium-ion battery pack (12) to non-rechargeable/NiMH batteries, remove the lithium-ion battery pack (12).

Using alkali-manganese non-rechargeable batteries or NiMH rechargeable batteries is recommended for operation of the measuring tool.

Insert the non-rechargeable batteries/rechargeable batteries.

When inserting the batteries, ensure that the polarity is correct according to the illustration on the inside of the battery compartment.

Insert the battery compartment cover (16) and let it click into place.

Always replace all the batteries at the same time. Only use batteries from the same manufacturer and which have the same capacity.

- ▶ **Take the batteries out of the measuring tool when you are not using it for a prolonged period of time.** The batteries can corrode and self-discharge during prolonged storage in the measuring tool.

Operation

- ▶ **Protect the measuring tool from moisture and direct sunlight.**
- ▶ **Do not expose the measuring tool to any extreme temperatures or variations in temperature. In case of large variations in temperature, leave the measuring tool to adjust to the ambient temperature before switching it on.** The accuracy of the measuring tool and the functionality of the display may be compromised if exposed to extreme temperatures or variations in temperature.
- ▶ **Avoid hard knocks to the measuring tool or dropping it.** After severe external influences and in the event of abnormalities in the functionality, you should have the measuring tool checked by an authorised **Bosch** after-sales service agent.
- ▶ **Hold the measuring tool by the intended gripping surface (8) only, so as not to influence the measurement.**
- ▶ **Do not attach any stickers or labels to the sensor area (17) on the rear of the measuring tool.** Metal labels in particular will affect measuring results.



Do not wear gloves when taking measurements and make sure that you are properly earthed. If you are not properly earthed, the identification of live wires may be impaired.



When taking measurements, avoid getting close to devices that emit strong electric, magnetic or electromagnetic fields, such as mobile telephones, laptops or tablets. If possible, deactivate all tools whose radiation could interfere with the measurement and switch off the corresponding functions or tools.

Starting Operation

Switching on/off

- ▶ **Before switching on the measuring tool, ensure that the sensor area (17) is dry.** If necessary, use a cloth to dry the measuring tool.
- ▶ **If the measuring tool has been exposed to a significant change in temperature, leave it to adjust to the ambient temperature before switching it on.**

To **switch on** the measuring tool, press the on/off button (7).

To **switch off** the measuring tool, press the on/off button (7) again.

If no button on the measuring tool is pressed for approx. 5 minutes and no objects are detected, the measuring tool will automatically switch off.

Switching audio signal on/off

The audio signal can be switched on or off with the audio signal button **(6)**. When the audio signal is switched off, the audio signal status indicator **(c)** will appear on the display.

How it works (see figure B)

The measuring tool checks the base material of the sensor area **(17)** in the measurement direction **A** up to the maximum detection depth.

Metal objects (e.g. copper pipe or reinforcing steel) and live cables (50–60 Hz) are automatically searched for during each measurement. The metal/electricity button **(4)** will light up to provide confirmation.

To also search for wood in dry walls, press the wood button **(5)**. This function is confirmed by the wood button **(5)** lighting up. To switch off the wood detection function, press either the wood button **(5)** or the metal/electricity button **(4)** so that the wood button **(5)** turns off.

Note: Only switch on the wood detection function for searching in dry walls with a wooden substructure. On other surfaces, the measurement result may be impaired.

Measuring Process (see figure C)

Position the measuring tool on/against the surface being inspected. The light-up ring **(1)** will light up to indicate readiness to measure.

Hold the measuring tool uniformly by the gripping surface **(8)**. Do not change your grip during the measurement and, in particular, do not touch the sensor area **(17)**.

Always move the measuring tool in a straight line in direction **B** over the surface, applying light pressure, without lifting it off or changing the pressure. The measuring tool should primarily be moved transversely to the object you are searching for. If you do not know how the object is aligned in the wall, perform a cross measurement (see figure C).

Detection Indicators:

- If no object is detected below the sensor area, the light-up ring **(1)** will light up green. The measuring indicator **(b)** is empty and no audio signal will sound.
- When the measuring tool approaches an object, the light-up ring **(1)** will light up red. As the measuring tool gets closer, the amplitude in the measuring indicator **(b)** will increase and the audio signal will sound more quickly.
- Above the centre of an object, the measuring indicator **(b)** will indicate the maximum amplitude of the measurement, the object centre indicators **(a)** will light up and an audio signal will sound. The light-up ring **(1)** will continue to light up red.

- When the measuring tool moves away from the object, the object centre indicators **(a)** will turn off, the amplitude in the measuring indicator **(b)** will decrease and the audio signal will sound more slowly.

Objects are only displayed roughly the first time you move over the centre and boundaries of the object.





In order to locate the exact centre of an object, move the measuring tool back in the direction of the object without lifting it off until the object centre is indicated again (the object centre indicators **(a)** will light up).

In order to locate the boundaries of the object with greater precision, continue to move the measuring tool in a straight line from the object's centre until the light-up ring **(1)** is no longer lit up red.

The marking hole **(2)** is located above the central measuring point. If necessary, you can use this to mark the centre or boundaries of the object.

Note: After you have marked an object through the marking hole **(2)** (e.g. with a pencil), you will need to start a new measurement because the measurement may be impaired by the pencil.

The type of object found is indicated on the display:

-  **(h)** Non-magnetic metal, e.g. copper pipe
-  **(g)** Magnetic metal, e.g. rebar
-  **(f)** Live, e.g. power lines
-  **(e)** Non-metallic, e.g. wooden beams

Information about Detecting Live Cables

- **The cable must be live.** You should therefore connect electricity consumers (e.g. lights, appliances) to the electricity cable you are trying to find. Switch on the electricity consumers to ensure that the electricity cable is live.
- **The 50–60 Hz signal from the electricity cable must be able to reach the measuring tool.** If the cable is in damp walls (e.g. > 50 % humidity), behind metallic foil (e.g. thermal insulation) or in an empty metal pipe, the signal will not reach the measuring tool and you will not be able to find the cable.
- **The measuring tool must be sufficiently earthed.** To do this, hold it firmly (without gloves) by the gripping surface **(8)**. Make sure that you are in good contact with the floor. Insulating shoes, ladders or platforms may compromise your contact with the floor. The floor must also be earthed in order for live cables to be detected.

- **The 50–60 Hz signal from the electricity cable must be stronger along the cable than in its immediate vicinity.** If the wall is very damp or poorly earthed, the signal will be the same strength throughout the wall. This will result in the measuring tool indicating that it has found a signal over a large area, but it will not be able to detect the exact location of the cable.
In this instance, it may be helpful to place your free hand on the wall 20–30 cm from the measuring tool in order to conduct the signal away from the wall. However, you should not change the position of your free hand during the measuring process.
 - Multi-phase (known as three-phase current or heavy current) electricity cables cannot be detected as live cables because the signals from the different phases cancel each other out. You can, however, detect multi-phase electricity cables at shallow depths as metal objects.
 - Conductive wall surfaces, such as certain tiles, may result in electricity cables no longer being indicated or the light-up ring **(1)** lighting up red over a large area.
 - Flat lying electricity cables (up to max. 2–3 cm in depth) may also be indicated as metal objects. However, this does not apply to solid-wire cables.
- ▶ **Switch off power consumers and make sure that live cables are de-energised before drilling, sawing or milling into walls, ceilings or floors. After performing any kind of work, check to ensure that objects placed on the substrate are not live.**

Information about Object Indication

- When the wood detection function is switched on, other objects, such as water-filled plastic pipes, power cables or gas lines, may be indicated as non-metallic objects in certain circumstances. Before drilling, sawing or milling, use other sources of information to check that the object found is actually a wooden beam and not another object (e.g. a plastic pipe, power cable, gas line).
 - Nails and screws in the base material may result in wooden beams being identified as metal objects.
 - Wider objects can be identified by the light-up ring **(1)** lighting up red over a wide area. Under certain circumstances, wide objects may not be indicated to their entire extent.
- ▶ **Before drilling, sawing or routing into walls, refer to other sources of information to ensure that you eliminate hazards.** As the measuring results can be influenced through ambient conditions or the nature of the wall, there may be a hazard even though the measuring indicator **(b)** does not indicate an object in the sensor area, no audio signal sounds and the light-up ring **(1)** lights up green.


Errors – Causes and Corrective Measures

Cause	Remedy
Temperature monitoring indicator (k) and warning indicator (j) light up, it is not possible to take a measurement	
The measuring tool is outside of the operating temperature range, or has been subjected to large fluctuations in temperature.	Switch the measuring tool off and allow it to adjust to the ambient temperature before switching it back on. It is only possible to take exact measurements if the temperature inside the measuring tool remains constant.
Radio interference indicator (i) and warning indicator (j) light up	
Measurements are impaired by electric, magnetic or electromagnetic fields (such as mobile phones, laptops or tablets near the measuring tool).	If possible, deactivate all tools whose radiation could interfere with the measurement and switch off the corresponding functions or tools.
Warning indicator (j) flashes	
The measuring tool has developed a fault and is no longer functional.	Send the measuring tool to an authorised Bosch after-sales service centre.
Metal object indicator and continuously high amplitude in the measuring indicator (b), even though there is no metal object near the measuring tool	
The factory calibration is no longer valid (e.g. if the measuring tool falls from great height).	Manually recalibrate the measuring tool (see "Recalibrating the Measuring Tool", page 19).
Light-up ring (1) does not light up when it is positioned on the surface	
The surface cannot be detected because the sensor area (17) is dirty.	Clean the measuring tool with a soft, dry cloth and re-start the measurement.
Contact with the wall or surface may not be detected due to particular wall properties (e.g. a very dark surface).	Position the measuring tool on the surface. For manual wall detection, press and hold the metal/electricity (4) and wood (5) buttons simultaneously until the light-up ring (1) is lit (for approx. 3 s) and an audio signal sounds. Then perform a measurement as usual. Note: Before taking the next measurement on a different surface, you must reset the manual wall de-

Cause	Remedy
	tection. To do this, switch the measuring tool off and on again.

Recalibrating the Measuring Tool

If a metal object is indicated and the measuring indicator **(b)** indicates a continuously high amplitude, even though there is no metal object near the measuring tool, the measuring tool can be manually recalibrated.

-  Ensure that the battery charge indicator **(d)** still shows a capacity of at least 1/3.
- Switch the measuring tool off.
- Remove all objects near the measuring tool that could be detected (including watches or metal rings).
Hold the measuring tool up horizontally so that the rear side of the measuring tool is pointing towards the floor.
- To switch to calibration mode, simultaneously press the on/off button **(7)** and the audio signal button **(6)**. Press and hold both buttons (for approx. 5–10 s) until the light-up ring **(1) flashes** red.
- To start recalibration, press and hold the audio signal button **(6)** (for approx. 5–10 s) until the light-up ring **(1) lights up** red.
- If the calibration was successful, the measuring tool will start automatically after a few seconds and will be ready for operation again.

Note: If the measuring tool does not start automatically, repeat the recalibration. If the measuring tool does not start, send it to an authorised **Bosch** after-sales service centre.

Maintenance and Service

Maintenance and Cleaning

- ▶ **Check the measuring tool before each use.** If the measuring tool is visibly damaged or parts have become loose inside the measuring tool, safe function can no longer be ensured.

Always keep the measuring tool clean and dry to ensure optimum, safe operation.

Never immerse the measuring tool in water or other liquids.

Wipe off any dirt using a dry, soft cloth. Do not use any detergents or solvents.

Do not remove the contact pads **(18)** on the rear side of the measuring tool.

Only store and transport the measuring tool in the protective bag provided.

After-Sales Service and Application Service

Our after-sales service responds to your questions concerning maintenance and repair of your product as well as spare parts. You can find explosion drawings and information on spare parts at: **www.bosch-pt.com**

The Bosch product use advice team will be happy to help you with any questions about our products and their accessories.

In all correspondence and spare parts orders, please always include the 10-digit article number given on the nameplate of the product.

Malaysia

Robert Bosch Sdn. Bhd. (220975-V) PT/SMY

No. 8A, Jalan 13/6

46200 Petaling Jaya

Selangor

Tel.: (03) 79663194

Toll-Free: 1800 880188

Fax: (03) 79583838

E-Mail: kiathoe.chong@my.bosch.com

www.bosch-pt.com.my

You can find further service addresses at:

www.bosch-pt.com/serviceaddresses

Transport

The recommended lithium-ion batteries are subject to legislation on the transport of dangerous goods. The user can transport the batteries by road without further requirements.

When shipping by third parties (e.g.: by air transport or forwarding agency), special requirements on packaging and labelling must be observed. For preparation of the item being shipped, consulting an expert for hazardous material is required.

Dispatch battery packs only when the housing is undamaged. Tape or mask off open contacts and pack up the battery in such a manner that it cannot move around in the packaging. Please also observe the possibility of more detailed national regulations.

Disposal



Electrical and electronic equipment, batteries, accessories and packaging should be sorted for environmentally friendly recycling.



Do not dispose of electrical and electronic equipment and batteries in the household waste!

Battery packs/batteries:

Li-ion:

Please observe the notes in the section on transport (see "Transport", page 20).

日本語

安全上の注意事項



すべての指示をよくお読みになり、指示に従って正しく使用してください。本機を指示に従って使用しない場合、本機に組み込まれている保護機能が損なわれることがあります。この取扱説明書を大切に保管してください。

- ▶ メジャーリングツールの修理は、必ずお買い求めの販売店、または電動工具サービスセンターにお申し付けください。専門知識を備えた担当スタッフが純正交換部品を使用して作業を行います。これによりメジャーリングツールの安全性が確実に保護されます。
- ▶ 可燃性の液体、ガスまたは粉塵が存在する、爆発の危険のある環境でメジャーリングツールを使用しないでください。メジャーリングツールが火花を発生し、ほこりや煙に引火するおそれがあります。
- ▶ バッテリーを分解しないでください。ショートにつながるおそれがあります。
- ▶ バッテリーが損傷していたり、バッテリーを不適切に使用すると、煙が発生する可能性があります。さらにバッテリーが発火したり、爆発したりするおそれがあります。その場合には新鮮な空気を取り入れ、不快感がある場合には医師の診断を受けてください。煙が気道を刺激する可能性があります。
- ▶ 誤った方法でバッテリーを使用したり、不具合のあるバッテリーを使用したりすると、バッテリーから可燃性の液体が漏れ出るおそれがあります。その液体に決して触れないでください。誤って触れてしまった場合は、すぐにきれいな水で洗い流してください。液体が目に入った場合は、すぐに医師の診断を受けてください。バッテリー液が漏れ出た場

22 | 日本語

合、皮膚に接触すると刺激を受けたり、やけどにつながるおそれがあります。

- ▶ 釘やドライバーなどの先の尖った物体により、または外的な力を加えるとバッテリーが損傷することがあります。これによって内部ショートが生じたり、バッテリーが燃焼・発煙・爆発・過熱するおそれがあります。
- ▶ コンタクトをブリッジするおそれのあるクリップ、硬貨、鍵、釘、ネジやその他の小さな金属製のものに、使用していないバッテリーを近づけないでください。バッテリーのコンタクト間のショートは、火災につながるおそれがあります。
- ▶ メーカーの製品にのみバッテリーを使用してください。組み合わせでご使用になる場合に限り、バッテリーは危険な過負荷から保護されません。
- ▶ メーカーが推奨している充電器でのみバッテリーを充電してください。特定のバッテリーの充電を目的に製造された充電器で他のバッテリーを充電すると、火災の原因となることがあります。



長時間当たる直射日光、火、汚れ、水や湿度から保護し、バッテリーを熱から守ってください。爆発やショートにつながるおそれがあります。



- ▶ 本機は技術的に完全な安全を保証することはできません。危険を避けるために、壁、天井や床に穴をあけたり、切断などの作業を行う場合には、事前に設計図や工事中の写真など、他の情報源で必ず確認を行ってください。特定の環境条件（強い電場、磁場、電磁場を生じさせる他の電気機器の付近、湿気、金属含有建材、金属箔を施した絶縁体、通電性のある壁紙やタイルなど）は、本機の精度に影響を及ぼす場合があります。また、探知結果は探知する対象物の数、材質、大きさ、位置の影響を受けることもあります。
- ▶ 建物内にガス管がある場合は、壁、天井や床での作業をすべて終了後に、ガス管が損傷していないか確認してください。
- ▶ 石膏ボードの壁に対象物を取り付ける際、特に下部構造に取り付ける場合には、壁面や固定金具の耐荷重が十分であることを確認してください。

ACアダプターに関する安全上の注意事項

- ▶ 本製品は、お子様や精神・知覚・知的障害のある方、ならびに経験や知識が十分でない方のご使用を想定していません。本製品は、8歳以上のお子様、精神・知覚・知的障害のある方、ならびに経験や知識が十分で

ない方は、監視のもとで使用するか、または本製品の安全な取扱いに関して指導を受け、関連する危険を理解している場合に使用することができます。これを守らないと、誤操作やけがにつながるおそれがあります。



ACアダプターに雨水などがかからないようにしてください。 ACアダプター内に水分が浸入し、感電する危険が高まります。

- ▶ **ACアダプターを清潔に保ってください。** 汚れていると、感電する危険が高まります。
- ▶ **ACアダプターを使用する前に毎回確認してください。** ACアダプターが損傷している場合は決して使用しないでください。ACアダプターをご自分で分解しないでください。修理は必ずお買い求めの販売店、または Bosch サービスセンターにお申しつてください。専門知識を備えた担当スタッフが純正交換部品を使用して作業を行います。ACアダプターが損傷し、感電する危険が高まります。

製品と仕様について

取扱説明書の冒頭に記載されている図を参照してください。

用途

壁、天井や床の裏にある金属（鉄／非鉄金属：鉄筋など）、木材、通電線の探知。

屋内、屋外いずれでの使用にも適しています。

各部の名称

記載のコンポーネントの番号は、構成図のページにある本機の図に対応しています。

- (1) LEDライトリング
- (2) マーキングホール
- (3) ディスプレイ
- (4) 金属／通電線探知ボタン
- (5) 木材探知ボタン
- (6) シグナル音ボタン
- (7) 電源ボタン
- (8) グリップ面

24 | 日本語

- (9) キャリングバッグ
 - (10) USB Type-C®ケーブル^{a)b)}
 - (11) リチウムイオンバッテリーパックのロック^{a)}
 - (12) リチウムイオンバッテリーパック^{a)}
 - (13) USB Type-C®差込口^{a)}
 - (14) バッテリーパックの残量表示^{a)}
 - (15) 電池収納ケースカバーのロック
 - (16) 電池収納ケースカバー
 - (17) センサー探知部
 - (18) 接触パッド
 - (19) シリアルナンバー
- a) 記載されている付属品は標準のセット内容には含まれていません。付属品の内容についてはボッシュ電動工具カタログでご確認ください。
- b) USB Type-C®およびUSB-C®は、USB Implementers Forum の登録商標です。

ディスプレイ (図Aを参照)

- (a) センターマーク
- (b) 探知インジケーター
- (c) シグナル音表示
- (d) 残量表示
- (e) 非金属表示
- (f) 通電線表示
- (g) 帯磁金属表示
- (h) 非常磁金属表示
- (i) 電波干渉表示
- (j) 警告表示
- (k) 温度警告表示

テクニカルデータ

デジタル探知機	GMS 120-27
製品番号	3 601 K81 7..
最大探知深さ ^{A)}	
- 非帯磁金属 (銅)	120mm ^{B)}

デジタル探知機	GMS 120-27
- 帯磁金属	100mm ^{C)}
- 通電線 100~230V (電圧がかかっている場合)	50mm ^{D)}
- 木材 (石膏ボード内)	30mm
使用温度範囲	-10°C ~ +50°C
保管温度範囲	-20°C ~ +70°C
作動周波数	50 ± 2 kHz
最大磁界強度 (10m時)	42dBµA/m
使用可能標高	2000m
最大相対湿度	
- 対象物の探知	90 %
- 通電線の識別	50 %
IEC 61010-1による汚染度	2 ^{E)}
電源	
- リチウムイオンバッテリーパック	3.7V
- 電池 (アルカリ乾電池)	1.5V LR6 (単3形) × 2本
- 充電電池 (ニッケル水素電池)	1.2V HR6 (単3形) × 2本
連続使用時間、約	
- リチウムイオンバッテリー使用時	5時間
- 電池 (アルカリ乾電池) 使用時	6時間
- 充電電池 (ニッケル水素電池) 使用時	7時間
質量 (EPTA-Procedure 01:2014に準拠)	
- リチウムイオンバッテリー使用時	0.27kg
- 電池 (アルカリ乾電池) / 充電電池 (ニッケル水素電池) 使用時	0.29kg
寸法 (長さ×幅×高さ)	186 × 86 × 33 mm
保護等級	IP54
リチウムイオンバッテリーパック (付属品)	BA 3.7V 1.0Ah A
製品番号	1 607 A35 17H
製品番号 (日本)	1 607 A35 0N8

26 | 日本語

デジタル探知機	GMS 120-27
充電ポート	USB Type-C®
定格電圧	3.7V [≡]
バッテリー容量	1.0Ah
充電時の推奨周囲温度	+10°C ~ +35°C
推奨周囲温度（作動時および保管時）	-10°C ~ +45°C
ACアダプター（付属品）	
出力電圧	5.0V [≡]
最小出力電流	500mA

- A) 探知深さは、対象物の材質や大きさ、対象面の材質や状態によって異なります
- B) 15mm径の銅管の場合
- C) 12mm径の鉄筋の場合
- D) 通電中でない電線は、探知深さが浅く表示されることがあります
- E) 非導電性の汚染のみが発生し、結露によって一時的に導電性が引き起こされる場合があります。

銘板に記載されたシリアル番号(19)で本機のタイプをご確認いただけます。

▶ 測定結果の精度は、壁面の施工状態の影響を受けることもあります。

メジャーリングツールの電源

本機はBoschのリチウムイオンバッテリーパック(12)または市販のアルカリ乾電池／充電式ニッケル水素電池で動作します。

注意事項：電池収納ケースカバー(16)やリチウムイオンバッテリーパック(12)を装着していない状態で特にほこりや湿気の多い場所で本機を保管しないでください。

ディスプレイの残量表示(d)には、リチウムイオン電池(12)、アルカリ乾電池／充電式ニッケル水素電池の残量が表示されます。

リチウムイオンバッテリーでの作動

リチウムイオンバッテリーパックの使用／交換

アルカリ乾電池／充電式ニッケル水素電池からリチウムイオンバッテリーパック(12)に切り替える場合は、電池収納ケースカバーのロック(15)を押しします。電池収納ケースカバー(16)を外し、使用していた電池／充電電池を取り出します。

ロック(11)がカチッと音がしてはまるまでリチウムイオンバッテリーパック(12)を押し込みます。

リチウムイオンバッテリーパック(12)を取り外す場合は、ロック(11)を押ししてから、リチウムイオンバッテリーパックを本機から取り出します。

リチウムイオンバッテリーパックを充電する

- ▶ 充電する際、「テクニカルデータ」の項の要件を満たす出力電圧と最小出力電流を供給するUSB電源ユニットのみを使用してください。USB電源ユニットの取扱説明書を確認してください。
- ▶ 電源電圧に注意してください！ACアダプターの銘板に表示されている電圧の電源を使用してください。230Vの表示があるACアダプターは、220Vでも使用することができます。
- ▶ 周囲温度が+10°C～+35°Cの場所で、バッテリーをUSBソケットで必ず充電してください。所定の温度範囲外で充電すると、バッテリーが損傷したり、火災につながる可能性が高まります。

注意事項：国際輸送の規格に従い、リチウムイオンバッテリーは仮充電した状態で納入されます。バッテリーの出力をフルで引き出せるよう、初回のご使用前にバッテリーを満充電してください。

USB Type-C®差込口(13)のカバーを開いてから、USBケーブル(10)を使用してUSB差込口とUSB電源ユニットを接続します。USB電源ユニットを電源に接続します。

残量表示の色(14)	意味
黄	リチウムイオンバッテリーパックを充電中。
緑	リチウムイオンバッテリーパックのフル充電が完了。
赤	充電電圧または充電電流が適切でない。

本機を対象面に完全に当てられないため、充電プロセス中は探知できません。

充電が完了したらUSBケーブル(10)を取り外します。続いて、水やほこりから守るために、USB Type-C®差込口(13)のカバーを閉じてください。

電池／充電電池での作動

リチウムイオンバッテリーパック(12)からアルカリ乾電池／充電式ニッケル水素電池に切り替える場合は、リチウムイオンバッテリーパック(12)を取り外します。

本機の作動には、アルカリ乾電池または充電式ニッケル水素電池を使用することを推奨します。

そして、電池／充電電池を取り付けます。

その際、電池ケース内側の表示に従い、電池の向きに注意してください。

カチッと音を立ててかみ合うまで電池収納ケースカバー(16)を押し込みます。

電池/バッテリーはすべて同じタイミングで交換してください。また、複数のメーカーに分けたりせず、単一メーカーの同じ容量の電池/バッテリーのみを使用してください。

- ▶ **本機を長期間使用しない場合は、本機から電池/バッテリーを取り出してください。**電池/バッテリーを本機の中に長期間入れたままにすると、電池/バッテリーの腐食や自然放電につながる場合があります。

操作

- ▶ **本機を濡らしたり、直射日光に当てないようにしてください。**
- ▶ **極度に温度の高いまたは低い環境下、または極度に温度変化のある場所で本機を使用しないでください。**周囲温度が急激に変化した場合、本機を周囲温度に順応させてからスイッチを入れてください。極端に高いまたは低い温度、または極端な温度変化が生じると、本機の精度が低下したり、ディスプレイに正しく表示されないことがあります。
- ▶ **メジャーリングに激しい衝撃を与えたり、これを落下させたりしないでください。**外部から強い作用を受けた後や機能に異常がある場合は、本機の点検をBoschサービスセンターにご依頼ください。
- ▶ **探知に影響を与えないよう、本機は所定のグリップ部(8)で保持してください。**
- ▶ **本機裏側のセンサー探知部(17)にステッカーを貼ったり、ネームプレートを取り付けたりしないでください。**特に金属製のネームプレートは、測定結果に影響を及ぼすおそれがあります。



測定中は手袋を着用しないようにし、十分な接地を行うよう心がけてください。接地が十分でないと、通電線の探知に影響を及ぼすおそれがあります。



探知中に、携帯電話、ノートPCやタブレット端末など、強い電場、磁場、電磁場を生じさせる機器に近づけないでください。可能な場合には、探知に影響を及ぼすおそれのあるすべての機器や機能をオフにするか、または機器の電源を切ってください。

始動

電源の "入" "切"

- ▶ **本機の電源を入れる前に、センサー探知部(17)が湿っていないか確認してください。**必要に応じて、本機を乾いた布で拭いてください。

▶ **周囲温度が急激に変化した場合には、本機を周囲温度に順応させてからスイッチを入れてください。**

本機の電源を入れるには、電源ボタン(7)を押します。

本機の電源を切る場合は、電源ボタン(7)を再度押します。

本機のボタンを約5分間操作せず、何も探知しないまましていると、本機は自動的にオフになります。

シグナル音のオン/オフ

シグナル音ボタン(6)を押して、シグナル音の“入”“切”を切り替えることができます。シグナル音の“入”“切”状態は、ディスプレイのシグナル音表示(c)で確認できます。

機能について (図Bを参照)

本機は、センサー探知部(17)の下にある対象面を探知方向Aで最大探知深さまで探知します。

本機を対象面に当てると、金属の物体（銅管や鉄筋など）と通電線（50/60Hz）が自動的に探知されます。選択されたモードは、金属/通電線探知ボタン(4)の点灯で確認できます。

石膏ボードの裏にある木材を探知する場合は、木材探知ボタン(5)を押します。すると木材探知ボタン(5)が点灯します。木材探知モードをオフにする場合は、木材探知ボタン(5)または金属/通電線探知ボタン(4)を押すと、木材探知ボタン(5)のLEDが消灯します。

注意事項：下地に木材が使用されている石膏ボードを探知する場合は、木材探知モードを使用してください。それ以外の下地の場合でこの探知モードを使用すると、探知結果に影響を及ぼす可能性があります。

探知手順 (図Cを参照)

本機を探知したい対象面に当てるとLEDライトリング(1)が点灯し、探知可能な状態になります。

探知する際、本機をグリップ面(8)でしっかり保持してください。探知中に持ち手を変えたり、特にセンサー探知部(17)に触れたりしないでください。

本機を持ち上げたり、押し付ける力を変えたりせずに、対象面に軽く接触するようにしてBの方向に動かします。その際、本機が対象物に対して横向きになるように動かしてください。対象物が壁の内部にあり、その向きがわからない場合は、十字に動かしながら探知してください (図Cを参照)。

探知時の表示：

- センサー探知部の下にある対象物を探知できない場合は、LEDライトリング**(1)**が緑色で点灯します。探知インジケーター**(b)**には何も表示されず、シグナル音も鳴りません。
- 本機が対象物に近づくと、LEDライトリング**(1)**が赤色で点灯します。対象物に近づくほど、探知インジケーター**(b)**の表示バーが増し、シグナル音が鳴るペースが速くなります。
- 対象物がセンサー探知部の中心にあるときは、探知インジケーター**(b)**の表示バーは最大となり、センターマーク**(a)**が点灯し、シグナル音が鳴り続けます。LEDライトリング**(1)**は赤色で点灯したままとなります。
- 本機が対象物から遠ざかると、センターマーク**(a)**が消え、探知インジケーター**(b)**の表示バーが減少し、シグナル音が鳴るペースが遅くなります。

対象物を初めて通過すると、対象物のおおよその中心と境界が表示されます。

対象物の中心を正確に探知する場合は、対象物の中心が再び表示される（センターマーク**(a)**が点灯する）まで、本機を持ち上げずに対象物がある方向に戻ってください。

対象物の境界をより正確に探知する場合は、LEDライトリング**(1)**が赤色で点灯しなくなるまで、本機を対象物の中心から直線的に動かしてください。

マーキングホール**(2)**は探知部の中心上にあります。この穴から必要に応じて対象物の中心や境界をマーキングすることができます。

注意事項：マーキングホール**(2)**から（鉛筆などを使用して）対象物にマーキングすると、探知が鉛筆などの影響を受ける可能性があるため、探知し直す必要があります。

ディスプレイには、探知された対象物の種類が表示されます。



(h) 非帯磁金属（銅管など）



(g) 帯磁金属（鉄筋など）



(f) 通電線（電源ケーブルなど）



(e) 非金属（木材など）

通電線の探知に関する注意事項

- 電線は通電している必要があります。そのため、探知したい電線に電力を消費する機器（照明、装置など）を接続し、電力を消費する機器のスイッチを入れ、通電していることを確認してください。
 - 通電線の50/60Hzの信号が本機に到達する必要があります。通電線が水分の多い壁（例：湿度 > 50%）や金属箔（例：断熱材）の裏側、さらに空の金属パイプの内側にある場合には、信号は本機に到達せず、通電線を探知することはできません。
 - 本機は適切にアース接続（接地）されている必要があります。そのため、（手袋を着用せずに）グリップ面(8)をしっかり握り、確実に接地されるようにしてください。絶縁靴、脚立や踏み台はこの接地を妨げる可能性があります。アース線自体も接地する必要があります。そうしないと、通電線を探知することはできません。
 - 通電線から届く50/60Hzの信号強度は、通電線の付近よりも、通電線の真上で強くなります。しかし、壁がかなり湿っていたり、十分に接地されていないと、信号強度が壁全体であまり変わらないことがあります。広い領域で探知表示され、通電線の位置を正確に探知することはできません。
その場合は、空いている手を本機から20～30cm離れた壁に当てると、壁から信号が届きやすくなります。その際、空いている手の位置を探知中に動かさないようにしてください。
 - 多相電線（三相交流、高圧線など）は、異なる相からの信号が互いに打ち消し合うため、通電線として探知することはできません。多相電線は、金属として浅い探知深さで表示されます。
 - 特定のタイルなど、通電性のある壁面の場合、通電線が表示されなかったり、LEDライトリング(1)が広い範囲で赤色に点灯することがあります。
 - 浅い位置の通電線（最大深さ：2～3cm）も金属として表示されます。しかし、より線の場合はこの限りではありません。
- ▶ 壁、天井や床に穴をあけたり、切断などの作業を行う前に、電気機器の電源を切り、電線に電気が流れないようにしてください。作業をすべて終えたら、壁面に触れた対象物に電気が流れていないことを確認してください。

対象物の表示に関する注意事項

- 木材探知モードを選択している場合、水の入ったプラスチックパイプ、通電線、ガス管などの他の対象物も非金属として表示されることがあります。穴あけ、切断などの作業を行う場合には、事前に設計図、工事中の写真など他の情報源で、対象物が木材であり、他の対象物（プラス

32 | 日本語

チックパイプ、通電線、ガス管など) ではないことを確認してください。

- 釘やネジが木柱の中に存在すると、木材も金属として探知されます。
 - 対象物の幅が広い場合、広い範囲でLEDライトリング(1)が赤色に点灯します。状況によっては、幅広の対象物は全体が表示されない場合があります。
- ▶ 壁の穴あけや切断などの作業を行う場合、事前に他の情報源で危険の有無を必ず確認してください。周辺環境や壁面の状態が探知結果に影響を与えることがあるため、探知インジケータ**(b)**にはセンサー探知部に対象物の存在が表示されず、シグナル音が鳴らず、ライトリング(1)が緑色に点灯していても危険がある場合があります。


故障かな？と思ったら - 原因と対処

原因	対処
温度警告表示(k)と警告表示(j)が点灯し、探知できない	
本機が使用温度範囲になっていないか、または周囲温度が急激に変化した	本機の電源を切り、本機を周囲温度に順応させてから電源を入れてください。本機内部の温度が一定に保たれている場合のみ、正確に探知することができます。
電波干渉表示(i)と警告表示(j)が点灯する	
探知時に、電場、磁場や電磁場の影響を受けた(本機の近くにある携帯電話、ノートPC、タブレット端末などから)	可能な場合には、探知に影響を及ぼすおそれのあるすべての機器や機能をオフにするか、または機器の電源を切ってください。
警告表示(j)が点滅する	
本機に異常があり、動作しない	お買い求めの販売店またはボッシュ電動工具Boschサービスセンターまでご連絡ください。
本機付近に金属の物体がないにもかかわらず、金属探知表示と探知インジケータ(b)の表示バーが継続的に表示される	
(高所からの落下などに よって)工場出荷時の校正 が無効になった	本機を(参照 „校正“, ページ 33)により手動で校正し直してください。
本機を対象面に当ててもLEDライトリング(1)が点灯しない	

原因	対処
センサー探知部(17)が汚れているため、対象面を探知できない	乾いた、柔らかい布で汚れを拭き取ってから探知し直してください。
壁面が特殊で（例：表面がかなり暗い）、壁の接触面または表面を探知できない	<p>本機を対象面に当て、手で壁面を探知するために、LEDライトリング(1)が点灯し、シグナル音が鳴るまで、金属/通電線探知ボタン(4)と木材探知ボタン(5)を同時に押します（約3秒間）。それから探知作業を通常通り行ってください。</p> <p>注意事項：別の対象面を改めて探知する前に、手動壁面探知を再度リセットする必要があります。そのために、本機のスイッチをオフにしてから再びオンにしてください。</p>

校正

金属探知モードで使用中に、対象物が本機付近に存在しないにもかかわらず、探知インジケータ**(b)**の表示バーが継続的に表示される場合、手動で本機の校正・調整を行うことができます。

-  残量表示**(d)**で残量が1/3以上あることを確認します。
- 本機の電源をオフにします。
- 本機付近に金属の物体（腕時計や金属製の指輪などを含む）がないことを確認し、本機を空中で持ちます。
その際、本機の裏面が下を向くように本機を持ってください。
- 校正モードに切り替える場合は、LEDライトリング**(1)**が赤色で点滅するまで、電源ボタン**(7)**とシグナル音ボタン**(6)**を同時に押し続けます（約5～10秒）。
- 再度校正を行う場合は、LEDライトリング**(1)**が赤色で点灯するまで、シグナル音ボタン**(6)**を押し続けます（約5～10秒）。
- 校正作業が完了すると、本機は数秒後に始動し、再び使用可能な状態になります。

注意事項：本機が自動的に始動しない場合には、校正を再度実行してください。それでも本機が始動しない場合には、お買い求めの販売店またはポッシュ電動工具**Bosch**サービスセンターまでご連絡ください。

お手入れと保管

保守と清掃

- ▶ **ご使用になる前に本機を点検してください。**本機に損傷が見られたり、内部の部品が緩んでいたりとすると、安全な機能は保証されません。正常かつ確実に機能するように、本機を常に乾燥した状態で清潔に保ってください。
- 本機を水またはその他の液体に漬けたりしないでください。
- 汚れは濡れていない柔らかい布で拭き取ってください。洗剤や溶剤を使用しないでください。
- 本機の裏面にある接触パッド**(18)**を取り外さないでください。
- 本機を保管・運搬する際には、必ず付属のキャリングバッグに収納してください。

カスタマーサービス & 使い方のご相談

- 製品の修理／メンテナンスや交換パーツに関してご質問等ございましたら、カスタマーサービスにぜひお問い合わせください。分解組立図や交換パーツに関する情報についてはHPでご確認いただけます (www.bosch-pt.com)。
- ボッシュのアプリケーションサポートチームは、製品や付属品に関するご質問をお待ちしております。
- お問い合わせまたは交換パーツの注文の際には、必ず本製品の銘板に基づき10桁の部品番号をお知らせください。

日本

ボッシュ株式会社 電動工具事業部
〒150-8360 東京都渋谷区渋谷 3-6-7
コールセンターフリーダイヤル 0120-345-762
(土・日・祝日を除く、午前 9:00 ~ 午後 5:30)
ホームページ: <http://www.bosch.co.jp>

その他のカスタマーサービス対応窓口はこちら：

www.bosch-pt.com/serviceaddresses

運搬

推奨のリチウムイオン電池は危険物規制規則の条項に準拠しています。ユーザーが電池を路上輸送することについて制約が課されることはありません。

一方、第三者（航空輸送会社や運送会社など）が発送を行う場合には、包装とラベルに関する特別な条項に特に注意する必要があります。発送する品物の準備については危険物の取扱を熟知した専門の担当者の指導を必ず求めてください。

外装が損傷していない場合にのみ、電池を送送してください。開接点は必ず覆い、電池をしっかり梱包し、包装の中で動かないようにしてください。また、その他の地域の規定にも注意してください。

廃棄



電子機器、電池／バッテリー、アクセサリおよび梱包材は、環境に適合した方法でリサイクルしてください。



電子機器と電池／バッテリーを一般の家庭用ごみとして廃棄しないでください。

バッテリー/電池:

リチウムイオンバッテリー:

運搬の項に記載されている指示に注意してください (参照 „運搬“, ページ 34)

中文

安全规章



必须阅读并注意所有说明。如果不按照给出的说明使用测量仪，可能会影响集成在测量仪中的保护功能。请妥善保管这些说明。

- ▶ 仅允许由具备资质的专业人员使用原装备件修理测量仪。如此才能够确保测量仪的安全性能。
- ▶ 请勿在有易燃液体、气体或粉尘的潜在爆炸性环境中使用测量仪。测量仪器内可能产生火花并点燃粉尘和气体。
- ▶ 切勿打开充电电池。可能造成短路。

- ▶ 如果充电电池损坏或者未按照规定使用，充电电池中会散发出有毒蒸汽。充电电池可能会燃烧或爆炸。工作场所必须保持空气流通，如果身体有任何不适必须马上就医。蒸汽会刺激呼吸道。
- ▶ 如果充电电池使用不当或者损坏，可能会有易燃的电解液从充电电池中流出。避免与之接触。如果意外碰到，用水冲洗。如果电解液碰到眼睛，还要寻求医疗帮助。从充电电池流出的液体会刺激或灼伤皮肤。
- ▶ 钉子、螺丝刀等尖锐物品或外力作用可能会损坏充电电池。有可能出现内部短路、蓄电池燃烧、发出烟雾、爆炸或过热。
- ▶ 当电池盒不用时，将它远离其他金属物体，例如回形针、硬币、钥匙、钉子、螺钉或其他小金属物体，以防一端与另一端连接。电池端部短路会引起燃烧或火灾。
- ▶ 只能将此充电电池用在制造商的产品中。这样才能确保充电电池不会过载。
- ▶ 请只用制造商推荐的充电器充电。不可以使用针对某些特定蓄电池的充电器，为其它的蓄电池充电，可能引起火灾。



保护充电电池免受高温（例如长期阳光照射）、火焰、脏污、水和湿气的侵害。有爆炸和短路的危险。



- ▶ 由于技术原因，测量仪无法确保百分之百的安全。因此为了避免危险，每次在墙体、天花板和地板上进行钻孔、锯切或铣削作业之前，请通过建筑图和建造阶段的照片等其他信息来源确保安全性。环境因素例如空气湿度、接近产生强大电场、磁场或电磁场的其他电动设备、湿气、含金属的建筑材料、铝复合隔音材料以及导电壁纸或瓷砖，都可能影响测量仪的精确度。物体的数量、种类、大小和位置可能会造成测量结果有误。
- ▶ 如果建筑物内有燃气管路，则在墙体、天花板或地板上进行所有作业后都要检查并确保没有损坏任何燃气管路。
- ▶ 将物体固定在干墙板上时要检查并确保墙体或固定材料有足够的承载力，尤其是在固定到底部结构上时。

插头电源安全规章

- ▶ 儿童和身体、感官或精神上有缺陷或缺乏经验与知识的人员不得使用本插头电源。对于八岁以上的儿童和身体、感官或精神上有缺陷或缺乏经验与知识的人员，倘若其得到负责其安全的人员监护或接受过监护人有关插头电源使用的指导并已了解到可能的危险，则可以使用本插头电源。否则会有误操作和人身伤害的危险。



不得将插头电源暴露在雨中或潮湿环境中。水进入插头电源将增加触电危险。

- ▶ 保持插头电源的清洁。污染会产生触电的危险。
- ▶ 每次使用插入式电源前都要进行检查。一旦发现损坏，请勿使用插入式电源。请勿自行打开插入式电源，只能由 Bosch 或由经授权的客户服务中心用原厂配件进行维修。损坏的插入式电源会提高用户触电的危险。

产品和性能说明

请注意本使用说明书开头部分的图示。

按照规定使用

本测量仪适合寻找墙体、天花板和地板中的金属（黑色金属和非铁金属，比如钢筋）、木梁以及墙壁、天花板和地板中的通电导线。

本测量仪适合在室内和室外使用。

插图上的机件

机件的编号和仪器详解图上的编号一致。

- (1) 光圈
- (2) 标记开口
- (3) 显示屏
- (4) 金属/电流按键
- (5) 木材按键
- (6) 信号音按键
- (7) 电源键
- (8) 抓握区域
- (9) 保护袋
- (10) Type-C® USB线^{a)b)}
- (11) 锂离子电池组的止动件^{a)}
- (12) 锂离子电池组^{a)}
- (13) USBType-C®插口^{a)}
- (14) 电池组的充电指示灯^{a)}
- (15) 蓄电池盒盖止动件

(16) 蓄电池盒盖

(17) 传感区域

(18) 滑垫

(19) 序列号

- a) 图表或说明上提到的附件，并不包含在基本的供货范围中。本公司的附件清单中有完整的附件供应项目。
- b) USB Type-C®和USB-C®是USB Implementers Forum的商标。

显示元件 (见图A)

- (a) 物体中心显示
- (b) 测量显示
- (c) 信号音状态指示灯
- (d) 电量指示灯
- (e) 非金属物体显示
- (f) 通电导线显示
- (g) 磁性金属显示
- (h) 非磁性金属显示
- (i) 无线电干扰显示
- (j) 警告显示
- (k) 温度监控显示

技术数据

数字式探测仪	GMS 120-27
物品代码	3 601 K81 7..
最大探测深度 ^{A)}	
- 非铁金属 (铜)	120毫米 ^{B)}
- 黑色金属	100毫米 ^{C)}
- 100-230伏特通电导线 (施加电压时)	50毫米 ^{D)}
- 干墙板中的木梁	30毫米
工作温度	-10摄氏度至+50摄氏度
仓储温度	-20摄氏度至+70摄氏度
工作频率范围	50±2千赫

数字式探测仪		GMS 120-27
最大磁场强度 (10米时)		42分贝微安/米
基准高度以上的最大使用高度		2000米
最大相对湿度		
- 用于识别物体		90 %
- 用于将通电导线分类		50 %
脏污程度符合IEC 61010-1		2 ^E
供电		
- 锂离子电池组		3.7伏特
- 蓄电池 (碱-锰)		2 × 1.5伏特LR6 (AA)
- 充电电池 (镍氢电池)		2 × 1.2伏特HR6 (AA)
运行时间大约		
- 使用锂离子电池组		5小时
- 使用蓄电池 (碱-锰)		6小时
- 使用充电电池 (镍氢电池)		7小时
重量符合EPTA-Procedure 01:2014		
- 使用锂离子电池组		0.27公斤
- 使用蓄电池 (碱-锰) / 充电电池 (镍氢电池)		0.29公斤
尺寸 (长 × 宽 × 高)		186 × 86 × 33毫米
防护类型		IP54
锂离子电池组 (附件)		BA 3.7V 1.0Ah A
物品代码		1 607 A35 17H
物品号JP		1 607 A35 0N8
充电接口		USB Type-C®
额定电压		3.7伏特 [≡]
电量		1.0安培小时
充电时建议的环境温度		+10摄氏度至+35摄氏度
工作时和存放时建议的环境温度		-10摄氏度至+45摄氏度
插头电源 (附件)		
输出电压		5.0伏特 [≡]

- A) 视物体的材料和大小、基底的材料和状态而定
- B) 适用于直径15毫米的铜管
- C) 适用于直径12毫米的钢筋
- D) 非通电导线的探测深度较低
- E) 仅出现非导电性污染，不过有时会因凝结而暂时具备导电性。

型号铭牌上的序列号(19)是测量仪唯一的识别码。

► **关于精度和探测深度，当基底状态不利于探测时，测量结果可能会比较糟糕。**

测量仪电源

本测量仪可以使用Bosch锂离子电池组(12)或市售蓄电池或镍氢充电电池驱动。

提示：存放测量仪时，必须始终在上蓄电池盒盖(16)或装上锂离子电池组(12)，特别是当存放环境多尘或潮湿时。

显示屏中的电量指示灯(d)显示锂离子电池组(12)、蓄电池或镍氢充电电池的电量。

使用锂离子电池组驱动

装入/更换锂离子电池组

将蓄电池或镍氢充电电池更换为锂离子电池组(12)时，请按压蓄电池盒盖止动件(15)。取出蓄电池盒盖(16)以及装入的蓄电池或充电电池。

装入锂离子电池组(12)，将止动件(11)卡止。

如需取出锂离子电池组(12)，按压止动件(11)，将锂离子电池组从测量仪中取出。

为锂离子电池组充电

- **充电时只能使用输出电压和最小输出电流符合“技术参数”一章中的要求的USB电源。请注意USB电源的操作说明书。**
- **注意电源电压！** 电源的电压必须和插头电源上标示的电压数据一致。标记为230伏的插头电源也可用220伏电压运行。
- **仅在+10摄氏度至+35摄氏度的环境温度下通过USB连接给充电电池充电。** 在温度范围以外充电可能会导致充电电池损坏或提高火灾风险。

提示：鉴于国际运输规定，锂离子充电电池在交货时只完成部分充电。首度使用电动工具之前，必须先充足充电电池的电量以确保充电电池的功率。

打开Type-C® USB插口的盖子(13)。将USB插口通过USB线(10)与USB电源连接。将USB电源连接到电源上。

充电指示灯(14)颜色	含义
黄色	锂离子电池组正在充电。
绿色	锂离子电池组已充满电。
红色	充电电压或充电电流不合适。

充电过程中无法进行测量，因为无法将测量仪完全放到基底上。

充电完成后移除USB线(10)。关闭Type-C® USB插口(13)盖子，以防灰尘和溅水进入。

以电池/充电电池驱动

将锂离子电池组(12)更换为蓄电池/镍氢充电电池时，请取出锂离子电池组(12)。

建议使用碱性锰电池或镍氢充电电池驱动测量仪。

安装好电池或充电电池。

根据电池盒内部的图示，注意电极是否正确。

合上蓄电池盒盖(16)并卡止。

务必同时更换所有的电池或充电电池。请使用同一制造厂商，容量相同的电池或充电电池。

- ▶ **长时间不用时，请将电池或充电电池从测量仪中取出。** 在长时间存放于测量仪中的情况下，电池和充电电池可能会腐蚀以及自行放电。

工作

- ▶ **不可以让湿气渗入仪器中，也不可以让阳光直接照射在仪器上。**
- ▶ **请勿在极端温度或温度波动较大的情况下使用测量仪。温度波动较大时，请先让仪器适应温度，然后再接通。** 如果仪器暴露在极端的气候下或温差相当大的环境中，会影响仪器的测量准确度以及显示屏上的显示标志。
- ▶ **避免测量仪剧烈碰撞或掉落。** 在发生强烈的外界作用后以及功能异常时，应将测量仪交由授权的Bosch售后服务点进行检查。
- ▶ **仅利用规定的抓握区域(8)抓住测量仪，以免影响测量。**
- ▶ **测量仪背面的探测范围(17)内不得贴上贴签或标签。** 尤其是金属标签会对测量结果产生影响。



测量期间请勿穿戴手套，请注意要有足够的接地。如果接地不足，识别通电导线可能会受到影响。



测量期间，避免接近发出强大电场、磁场或电磁场的设备，例如移动电话、笔记本电脑或平板电脑。对于所有可能因其辐射而影响测量的设备，请尽可能停用相应的功能或关闭设备。

投入使用

接通/关闭

- ▶ **接通测量仪之前，请确保探测区域(17)不是潮湿的。必要时用布将测量仪擦干。**
- ▶ **如果仪器先暴露在温度差异极大的环境中，必须等待仪器的温度回升之，才可以开动仪器。**

如要**接通**测量仪，请按压电源键(7)。

如要**关闭**测量仪，请重新按压电源键(7)。

如果在约5分钟的时间内没有按下测量仪上的任何按键且未检测到物体，则测量仪自动关闭。

开关机信号音

可使用信号音按键(6)打开和关闭信号音。如果关闭了信号音，则显示屏上会显示信号音状态指示灯(c)。

功能原理 (见图B)

使用测量仪可沿测量方向**A**检查传感区域(17)基底至最大测量深度。

每次测量都会自动寻找金属物体 (例如铜管或钢筋) 和通电导线 (50–60赫兹)。金属/电流按键(4)亮起以确认。

如需额外查找干墙板内的木材，请按压木材按键(5)。木材按键(5)亮起以确认功能。如需关闭木材查找功能，按压木材按键(5)或金属/电流按键(4)，直至木材按键(5)熄灭。

提示：仅当查找带木质底部结构的干墙板时，才接通木材查找功能。其他基底可能影响测量结果。

测量过程 (参见插图C)

将测量仪放在待检查表面上。光圈(1)亮起，以显示测量准备就绪。

利用**抓握区域(8)**均匀地抓握测量仪。测量期间不要更改抓握位置，尤其是不要抓住传感区域(17)。

始终以较轻的压力在基底上沿**B**方向笔直地移动测量仪，不要抬起，也不要改变压力。主要垂直于查找到的物体移动测量仪。如果识别不出墙内物体的方向，则执行交叉测量（参见插图C）。

定位显示:

- 如果在传感区域内没有找到物体，则光圈**(1)**亮起绿色。测量显示**(b)**为空，无信号音响起。
- 当测量仪靠近物体时，光圈**(1)**亮起红色。随着不断靠近，测量显示**(b)**的摆幅增大，信号音的节拍加快。
- 在物体中心上方时，测量显示**(b)**会出现最大测量摆幅，物体中心显示**(a)**亮起并响起一个持续音。光圈**(1)**继续亮起红色。
- 当测量仪远离物体时，物体中心显示**(a)**熄灭，测量显示**(b)**中的摆幅减小，信号音的节拍变慢。

首次移动时会粗略显示物体中心和边界。

为了精确地定位物体中心，在不取下的情况下将测量仪沿物体方向移回，直至重新显示物体中心（物体中心显示**(a)**亮起）。

为了更精确地定位物体边界，从物体中心继续笔直地移动测量仪，直至光圈**(1)**不再亮起红色。

标记开口**(2)**位于测量中心上方。可在此按需标记物体中心或边界。

提示：通过标记开口**(2)**（例如一根销子）标记物体后必须开始新的测量，因为测量可能受到销子的影响。

在显示屏中显示已找到物体的类型：



(h) 非磁性金属，例如铜管



(g) 磁性金属，例如钢筋



(f) 导电，比如电线



(e) 非金属，如木梁

关于定位通电导线的提示

- **导线必须带电。**因此将用电器（例如电灯、设备）连接到查找到的电线。接通用电器，以便确保电线带电。
- **测量仪必须接收到50至60赫兹的电线信号。**如果导线位于潮湿墙壁内（例如空气湿度 > 50 %）、在金属膜后面（例如隔热层）或金属空管内，则测量仪接收不到信号且无法找到导线。

- **测量仪必须正常接地。**为此利用抓握区域**(8)**牢牢抓住测量仪（不戴手套）。确保您自身与地面接触良好。绝缘鞋、梯子或平台可能阻碍接触。地面本身也必须正常接地，否则无法定位导线。
- **导线上方的50至60赫兹的电线信号强度必须大于周围环境。**如果墙壁太潮湿或接地不良，则整面墙上的信号强度相同。测量仪在较大的面积内显示找到了信号，导线可能未被精确定位到。在这种情况下，可将一只空闲的手放在墙上并与测量仪保持20–30厘米的距离，以便从墙体导出信号。但在测量过程中不得改变这只手的位置。
- **多相电线（常称交流电或强电流）**无法作为通电导线进行定位，因为不同相位的信号会相互抵消。但浅埋多相电线可作为金属物体进行定位。
- **导电墙面，例如某些瓷砖，**可能导致不显示电线或光圈**(1)**大范围亮起红色。
- **浅埋电线（最多2–3厘米深）**可以额外显示为金属物体。但不适用于绞合电缆。
- ▶ **关闭用电器，使通电导线断电，然后再在墙体、天花板或地板上进行钻孔、锯切或铣削作业。进行所有作业后都要检查并确保安装在基底上的物体不带电。**

关于物体显示的提示

- 接通木材查找功能后，可能会将其他物体，例如注水塑料管、电缆或燃气管路显示为非金属物体。在进行钻孔、锯切或铣削作业之前，请借助其他信息来源确保此处涉及的是木樑，而不是其他物体（例如塑料管、电缆、燃气管路）。
- 基底中的钉子和螺栓可能会导致木樑在显示屏中显示为金属物体。
- 较宽的物体可通过大范围亮起红色的光圈**(1)**进行识别。可能无法显示较宽物体的整个维度。
- ▶ **您在墙上钻孔、锯切或铣削之前，还应通过其他信息来源确保无危险。**由于测量结果可能会受到环境因素或墙体状态的影响，因此测量显示**(b)**未显示传感区域内存在目标时、无信号音响起时以及光圈**(1)**亮起绿色时，也有可能存在危险。

故障—原因和补救措施

原因	解决措施
温度监控显示(k)和警告显示(j)亮起，无法进行测量	
测量仪超出工作温度范围，或受到了强烈的温度波动。	关闭测量仪并先使其冷却，然后再次打开。只有当测量仪内部的温度保持恒定时，才可以精确测量。

原因

解决措施

无线电干扰显示(i)和警告显示(j)亮起。

测量会受到电场、磁场或电磁场的影响（例如测量仪附近的移动电话、笔记本电脑或平板电脑）。

对于所有可能因其辐射而影响测量的设备，请尽可能停用相应的功能或关闭设备。

警告显示(j)闪烁。

测量仪有故障，无法再工作。

将测量仪发送给授权的**Bosch**客户服务中心。

显示金属物体且测量显示(b)持续显示摆幅，即使在测量仪附近没有金属物体

出厂校准不再有效（例如由于从高处掉落）。

请手动再次校准测量仪（参见“再次校准测量仪”，页 45）。

光圈(1)在放到基底上时未亮起。

无法识别基底，因为传感区域(17)脏污。

请用干燥的软布清洁测量仪，然后重新启动测量。


墙面接触或基底可能由于特别的墙面属性（例如深色表面）而无法识别。

将测量仪放到基底上。手动识别墙面时，同时按压金属/电流(4)和木材按键(5)（约3秒），直至光圈(1)亮起并响起信号音。然后照常测量。

提示：下次在其他基底上测量前必须再次复位手动墙面识别。为此关闭测量仪并再次接通。

再次校准测量仪

虽然测量仪附近没有金属物体，但显示金属物体且测量显示(b)仍持续摆动，则请手动再次校准测量仪。

-  确保电量指示灯(d)至少显示1/3的电量。
- 关闭测量仪。
- 移除测量仪附近可能显示的所有物体（包括手表或金属环）。
将测量仪水平悬在空中，使其背面指向地面。
- 如需切换至校准模式，同时按压电源键(7)以及信号音按键(6)。长按这两个按键（约5-10秒），直到光圈(1)闪烁红色。
- 如需开始重新校准，长按信号音按键(6)（约5-10秒），直至光圈(1)亮起红色。
- 如果校准成功，则测量仪会在几秒钟后自动启动并再次准备就绪。

提示: 如果测量仪未自动启动, 则重复执行再次校准。如果测量仪仍不启动, 请将其发送给经授权的**Bosch**客户服务中心。

维修和服务

维修和清洁

▶ **每次使用前都要检查测量仪。** 如果可以看见损坏或测量仪内部有零件松动, 则无法再保证仪器功能可靠。

测量仪器必须随时保持清洁、干燥, 以便确保探测准确和操作安全。

不可以把仪器放入水或其它的液体中。

使用干燥、柔软的布擦除仪器上的污垢。切勿使用任何清洁剂或溶剂。

请勿移除测量仪背面的滑垫**(18)**。

使用附带的保护套储存和携带仪器。

客户服务和应用咨询

本公司顾客服务处负责回答有关本公司产品的修理、维护和备件的问题。备件的展开图纸和信息也可查看: www.bosch-pt.com

博世应用咨询团队乐于就我们的产品及其附件问题提供帮助。

询问和订购备件时, 务必提供机器铭牌上标示的10位数物品代码。

中国大陆

博世电动工具(中国)有限公司

中国 浙江省 杭州市

滨江区 滨康路567号

102/1F 服务中心

邮政编码: 310052

电话: (0571)8887 5566 / 5588

传真: (0571)8887 6688 x 5566# / 5588#

电邮: bsc.hz@cn.bosch.com

www.bosch-pt.com.cn

制造商地址:

Robert Bosch Power Tools GmbH

罗伯特·博世电动工具有限公司

70538 Stuttgart / GERMANY

70538 斯图加特 / 德国

其他服务地址请见:

www.bosch-pt.com/serviceaddresses

搬运

所推荐的锂离子充电电池必须符合危险物品法规。使用者无须另外使用保护包装便可以运送该充电电池。

但是如果将它交由第三者运送（例如：寄空运或委托运输公司）则须使用特殊的包装和标示。此时必须向危险物品专家请教有关寄送危险物品的相关事宜。

确定充电电池的外壳未受损后，才可以寄送充电电池。粘好未加盖的触点并包装好充电电池，不可以让充电电池在包装中晃动。必要时也得注意各国有关的法规。

处理废弃物



应对电动设备、充电电池/电池、附件和包装进行环保的回收利用。



不可以把电动设备和充电电池/电池丢入生活垃圾中！

充电电池/蓄电池：

锂离子：

请注意“搬运”段落中的指示(参见“搬运”，页 47)。

产品中有害物质的名称及含量

部件名称	有害物质					
	铅 (Pb)	汞 (Hg)	镉 (Cd)	六价铬 (Cr ⁶⁺)	多溴联 苯 (PBB)	多溴二 苯醚 (PBDE)
外壳的金属部分	○	○	○	○	○	○
外壳的非金属部分 (包括玻璃)	○	○	○	○	○	○
组合印刷电路板	X	○	○	○	○	○
附件 ^{A)}	X	○	○	○	○	○
碱性锰电池系统	○	○	○	○	○	○
充电电池系统 ^{B)}	○	○	○	○	○	○

部件名稱	有害物質					
	鉛 (Pb)	汞 (Hg)	鎘 (Cd)	六價鉻 (Cr ⁺⁶)	多溴聯 苯 (PBB)	多溴二 苯醚 (PBDE)
鍵盤	○	○	○	○	○	○
顯示器 ^{C)}	○	○	○	○	○	○
內部連接電纜	○	○	○	○	○	○

A) 適用於採用附件的產品

B) 適用於採用充電電池供電的產品

C) 適用於採用顯示器的產品

本表是按照SJ/T 11364的規定編制

O: 表示該有害物質在該部件所有物質材料中的含量均在GB/T 26572規定的限量要求以下。

X: 表示該有害物質至少在該部件的某一物質材料中的含量超出GB/T 26572規定的限量要求，且目前業界沒有成熟的替代方案，符合歐盟RoHS指令環保要求。

產品環保使用期限內的使用條件參見產品說明書。

繁體中文

安全注意事項



您必須完整詳讀本說明書並確實遵照其內容。若未依照現有之說明內容使用測量工具，測量工具內部所設置的防護措施可能無法發揮應有功效。請妥善保存本說明書。

- ▶ 本測量工具僅可交由合格的專業技師以原廠替換零件進行維修。如此才能夠確保本測量工具的安全性能。
- ▶ 請不要在存有易燃液體、氣體或粉塵等易爆環境下操作本測量工具。測量工具內部產生的火花會點燃粉塵或氣體。
- ▶ 切勿拆開充電電池。可能造成短路。
- ▶ 如果充電電池損壞了，或者未按照規定使用充電電池，充電電池中會散發出有毒蒸氣。充電電池可能起火或爆炸。工作場所必須保持空氣流通，如果身體有任何不適必須馬上就醫。充電電池散發的蒸氣會刺激呼吸道。

- ▶ 不當使用或充電電池受損時，充電電池可能會流出可燃液體。請避免接觸。意外沾到時，請用水徹底沖洗。如果液體跑進眼睛裡，請進一步就醫。從電池中滲出的液體可能造成腐蝕或起火。
- ▶ 尖銳物品（例如釘子或螺絲起子）或是外力皆有可能造成充電電池損壞。進而導致內部短路而發生電池起火、冒煙、爆炸或過熱等事故。
- ▶ 充電電池不使用時，請讓它遠離迴紋針、硬幣、鑰匙、釘子、螺釘或其他小金屬物體，以免造成兩極相接。電池端點短路會引起燃燒或火災。
- ▶ 僅可使用產品的原廠充電電池。如此才可依照產品提供過載保護。
- ▶ 僅能使用製造商規定的充電器進行充電。將適用於某特定電池盒的充電器用於其他電池盒時，可能會造成起火燃燒。



保護充電電池免受高溫（例如長期日照）、火焰、污垢、水液和濕氣的侵害。有爆炸及短路之虞。



- ▶ 本測量工具因技術方面之緣故，無法百分之百保證安全性。為避免發生危險，進行鑽孔、鋸切或銑削作業時機具若需伸入牆面、天花板或地板內部，應參考建築設計圖、施工照片等其他資訊來源，以確保安全。環境因素，諸如空氣濕度、鄰近於會產生強力電場、磁場或電磁場的其他電氣裝置、潮濕環境、含金屬的建材、鋁包隔熱材料以及具導電性的壁紙或瓷磚等，皆可能對測量工具的準確度造成影響。物體的數量、類型、尺寸和位置皆可能造成測量結果產生誤差。
- ▶ 建築物中如有煤氣管路，在牆壁、天花板或地板上進行所有工作後，請檢查煤氣管路是否受損。
- ▶ 將物體固定在乾燥的牆壁上時，尤其固定下部結構時，請檢查牆面或固定材質是否具備足夠的承重力。

電源變壓器的安全注意事項

- ▶ 本電源變壓器不適合兒童以及身體、感官或心智能力有缺陷，或是缺乏相關經驗及知識的人士使用。8 歲以上兒童以及身體、感官或心智能力有缺陷，或是缺乏相關經驗及知識的人士，只要在他人監督下或接受過如何安全處置此電源變壓器的指導，並充份瞭解相關危險，即可使用該電源變壓器。否則可能會造成操作上的錯誤，進而使人員受傷。



不得將電源變壓器暴露在雨中或潮濕環境中。如有水滲入電源變壓器內，將增加觸電風險。

- ▶ 電源變壓器請保持乾淨。髒污亦有造成人員觸電之虞。

- ▶ 每次使用前，請仔細檢查電源變壓器。若有發現任何受損現象，請勿使用電源變壓器。請勿自行拆開電源變壓器並將其交由 Bosch 或授權的客戶服務中心以原廠替換零件進行維修。損壞的電源變壓器將增加觸電風險。

產品和功率描述

請留意操作說明書中最前面的圖示。

依規定使用機器

本測量工具專用於找尋金屬（鐵類與非鐵類金屬，例如鋼筋）、木質橫樑，以及牆壁、天花板和地板內的帶電線路。

本測量工具可同時適用於室內及戶外應用。

插圖上的機件

機件的編號和儀器詳解圖上的編號一致。

- (1) 發光環
- (2) 標示開口
- (3) 顯示器
- (4) 金屬 / 電流按鈕
- (5) 木材按鈕
- (6) 聲音訊號按鈕
- (7) 電源按鈕
- (8) 握面
- (9) 保護套袋
- (10) USB Type-C[®] 傳輸線^{a|b)}
- (11) 鋰離子充電電池組鎖扣^{a)}
- (12) 鋰離子充電電池組^{a)}
- (13) USB Type-C[®] 插槽^{a)}
- (14) 充電電池組充電指示燈^{a)}
- (15) 電池盒蓋鎖扣
- (16) 電池盒蓋
- (17) 探測範圍
- (18) 滑動片

(19) 序號

- a) 圖文中提到的配件，並不包含在基本的供貨範圍中。本公司的配件清單中有完整的配件供應項目。
- b) USB Type-C® 和 USB-C® 商標為 USB Implementers Forum 所有。

指示元件 (請參考圖 A)

- (a) 物體中心點指示器
- (b) 測量指示器
- (c) 聲音訊號狀態指示器
- (d) 充電電量指示燈
- (e) 非金屬物體指示器
- (f) 帶電線路指示器
- (g) 磁性金屬指示器
- (h) 非磁性金屬指示器
- (i) 電波干擾指示器
- (j) 示警指示器
- (k) 溫度監控指示器

技術性數據

數位定位裝置	GMS 120-27
產品機號	3 601 K81 7..
最大偵測深度 ^{A)}	
– 非鐵類金屬 (銅)	120 mm ^{B)}
– 鐵類金屬	100 mm ^{C)}
– 帶電線路 100–230 V (連接電壓時)	50 mm ^{D)}
– 乾式牆體中的木樑	30 mm
工作溫度	–10 °C ... +50 °C
儲藏溫度	–20 °C ... +70 °C
工作頻率範圍	50 ± 2 kHz
最大磁場強度 (10 m 時)	42 dBµA/m
最高適用海拔	2000 m
空氣相對濕度最大值	

52 | 繁體中文

數位定位裝置	GMS 120-27
– 用於偵測物體	90 %
– 用於分類帶電線路	50 %
根據 IEC 61010-1 之污染等級	2 ^{EI}
電源供應	
– 鋰離子充電電池組	3.7 V
– 拋棄式電池 (鹼-錳)	2 × 1.5 V LR6 (AA)
– 充電電池 (鎳氫)	2 × 1.2 V HR6 (AA)
連續工作時間約略值	
– 配備鋰離子充電電池組	5 小時
– 配備拋棄式電池 (鹼-錳)	6 小時
– 配備充電電池 (鎳氫)	7 小時
重量符合 EPTA-Procedure 01:2014	
– 配備鋰離子充電電池組	0.27 kg
– 配備拋棄式電池 (鹼-錳) / 充電電池 (鎳氫)	0.29 kg
尺寸 (長 × 寬 × 高)	186 × 86 × 33 mm
防護等級	IP54
鋰離子充電電池組 (配件)	BA 3.7V 1.0Ah A
產品機號	1 607 A35 17H
產品機號 JP	1 607 A35 0N8
充電口	USB Type-C®
額定電壓	3.7 V [≡]
容量	1.0 Ah
充電狀態下的建議環境溫度	+10 °C ... +35 °C
操作及存放狀態下的建議環境溫度	-10 °C ... +45 °C
電源變壓器 (配件)	
輸出電壓	5.0 V [≡]

數位定位裝置

GMS 120-27

最低輸出電流

500 mA

- A) 取決於物體材質與大小，以及基材的材質與狀態
 - B) 若為直徑 15 mm 的鋼管
 - C) 若為直徑 12 mm 的鋼筋
 - D) 非帶電線路的偵測深度較小
 - E) 只產生非傳導性污染，但應預期偶爾因水氣凝結而導致暫時性導電。
- 從產品銘牌的序號 (19) 即可確定您的測量工具機型。

▶ 在底材不利作業的情況下，探測結果的準確度和探測高度可能因而變差。

測量工具的電源供應

本測量工具可以使用 **Bosch** 鋰離子充電電池組 (12)、一般市售的拋棄式電池或一般市售的鎳氫充電電池驅動。

提示：請勿在未裝入電池盒蓋 (16) 或鋰離子充電電池組 (12) 的情況下存放測量工具，尤其是在多塵或潮濕的環境中。

顯示器上的充電狀態指示燈 (d) 會顯示鋰離子充電電池組 (12)、拋棄式電池或鎳氫充電電池的電量。

以鋰離子充電電池組驅動

裝入 / 更換鋰離子充電電池組

如要將拋棄式電池或鎳氫充電電池更換成鋰離子充電電池組 (12)，請按下電池盒蓋的鎖扣 (15)。請取下電池盒蓋 (16) 和裝入的拋棄式電池或充電電池。

裝入鋰離子充電電池組 (12) 然後使鎖扣 (11) 卡合。

如要取出鋰離子充電電池組 (12)，請按下鎖扣 (11) 並從測量工具中取出鋰離子充電電池組。

為鋰離子充電電池組充電

- ▶ **充電時，只能使用符合「技術性數據」章節中所要求輸出電壓和最小輸出電流的 USB 電源供應器。請遵守 USB 電源供應器的操作說明書。**
- ▶ **注意電源的電壓！** 電源的電壓必須和電源變壓器銘牌上標示的電壓一致。標示為 230 V 的電源變壓器亦可接上 220 V 電源。
- ▶ **僅可在 +10 °C 至 +35 °C 的環境溫度下透過 USB 連接為充電電池充電。** 在溫度範圍之外充電會損壞充電電池或增加火災風險。

提示：由於國際運輸規定，出貨時鋰離子充電電池已部分充電。初次使用電動工具之前，請先將充電電池充飽電以確保充電電池蓄滿電力。

54 | 繁體中文

打開 USB Type-C® 插孔護蓋 (13)。使用 USB 連接線 (10) 將 USB 電源供應器連接到 USB 插孔。將 USB 電源供應器連接到電源上。

充電指示燈的顏色 (14)	意義
黃色	鋰離子充電電池組正在充電。
綠色	鋰離子充電電池組已充飽電。
紅色	充電電壓或充電電流不合適。

充電期間無法進行測量，因為測量工具無法完全放置在表面上。

充電程序完成後，拔下 USB 連接線 (10)。蓋上 USB Type-C® 插孔 (13) 的護蓋以防止灰塵和液體潑濺。

以拋棄式電池 / 充電電池驅動

如要將鋰離子充電電池組 (12) 更換成拋棄式電池 / 鎳氫充電電池，請取出鋰離子充電電池組 (12)。

建議使用鹼錳電池或鎳氫充電電池做為測量工具的電源。

裝入拋棄式電池或充電電池。

此時請您注意是否有依照電池盒內側上的電極標示正確放入。

裝入電池盒蓋 (16)，並使其卡合。

務必同時更換所有的拋棄式電池或充電電池。請使用同一製造廠商、容量相同的拋棄式電池或充電電池。

- ▶ 長時間不使用時，請將測量工具裡的拋棄式電池或充電電池取出。拋棄式電池及充電電池可能因長時間存放於測量工具中不使用而自行放電。

操作

- ▶ 不可以讓濕氣滲入儀器中，也不可以讓陽光直接照射在儀器上。
- ▶ 勿讓測量工具暴露於極端溫度或溫度劇烈變化的環境。歷經較大溫度起伏時，請先回溫後再使用。如果測量工具曝露於極端溫度或溫度劇烈變化的環境中，將影響機器的探測準確度以及螢幕上的指示器。
- ▶ 測量工具須避免猛力碰撞或翻倒。測量工具遭受外力衝擊後，功能上若有任何異常，則應將它送交本公司授權的 **Bosch** 客戶服務中心進一步檢修。
- ▶ 請僅以指定的握面 (8) 握住本測量工具，以免影響測量功能。
- ▶ 測量工具背面的探測範圍 (17) 不可黏有貼紙或標牌。尤其是金屬材質的標牌，它會影響探測結果。



請勿在測量過程中穿戴手套，並確保充分的接地措施。如果接地不充足時，可能會影響帶電線路的偵測。



在測量過程中，請勿靠近會發射強烈電場、磁場或電磁場的裝置，例如行動電話、筆記型電腦或平板電腦。儘可能在輻射會影響測量的裝置上停用其對應功能，或將裝置關閉。

操作機器

啟動 / 關閉

- ▶ 啟動測量工具之前，請確保探測範圍 (17) 乾燥。必要時請拿一塊布將測量工具擦乾。
- ▶ 如果儀器先後曝露在溫差相當大的環境中，必須先等待儀器回溫後再啟動儀器。

若要啟動測量工具，請按一下電源按鈕 (7)。

若要關閉測量工具，請再按一次電源按鈕 (7)。

若持續約 5 分鐘未按壓測量工具上的任何按鈕，且未探測到任何物體，本測量工具將自動關機。

開啟 / 關閉聲音訊號

您可利用聲音訊號按鈕 (6) 開啟或關閉聲音訊號。聲音訊號關閉時，顯示器中將出現聲音訊號狀態指示器 (c)。

運作原理 (請參考圖 B)

使用測量工具可在測量方向 A 檢查探測範圍 (17) 的基材，直至最大偵測深度。

每次測量皆會自動搜尋金屬物體 (例如銅管或鋼筋) 和帶電線路 (50–60 Hz)。金屬 / 電流按鈕 (4) 會亮起以示確認。

若要額外於乾式牆體中尋找木材，請按下木材按鈕 (5)。該功能會透過亮起的木材按鈕 (5) 進行確認。若要關閉木材搜尋功能，請按下木材按鈕 (5) 或金屬 / 電流按鈕 (4)，以使木材按鈕 (5) 熄滅。

提示：請僅在木質結構的乾式牆體中進行搜尋時開啟木材搜尋的功能。在其他表面上可能會干擾測量結果。

測量程序 (請參考圖 C)

把測量工具放在待檢查物體的表面。發光環 (1) 會亮起，以示意測量就緒狀態。

請從握面 (8) 處均勻地握緊測量工具。測量期間請勿更改握持方式，尤其不要將手伸入探測範圍 (17)。

請在輕壓的狀態下將測量工具持續以直線朝方向 **B** 在表面上移動，過程中不可抬高或改變接觸壓力。移動測量工具時基本上應與所搜尋物體成橫向。若您不知道牆體中物體的方向，則進行十字形測量（請參考圖 **C**）。

定位指示：

- 若探測範圍下沒有任何物體，發光環 **(1)** 會亮起綠色。測量指示器 **(b)** 是空的且不會響起聲音訊號。
- 當測量工具正在靠近一物體時，發光環 **(1)** 便會亮起紅色。越來越接近時，測量指示器 **(b)** 中的波動會增加，且聲音訊號的節奏也會變快。
- 位於物體中心時，測量指示器 **(b)** 會顯示該測量最大的波動，物體中心點指示器 **(a)** 會亮起並響起一個持續音。發光環 **(1)** 將繼續亮起紅色。
- 當測量工具正在遠離該物體時，物體中心點指示器 **(a)** 便會熄滅，測量指示器 **(b)** 中的波動會減少，而聲音訊號的節奏則變慢。

第一次移動經過時，會粗略顯示物體的中心和邊界。

若要精確定位出物體的中心，請在不抬起的情況下將測量工具往物體方向移動，直到再次指示出物體中心點（物體中心點指示器 **(a)** 亮起）。

為使物體邊界更為清楚，請從物體中心點繼續直線移動測量工具，直到發光環 **(1)** 不再亮起紅色。

標示開口 **(2)** 位於測量中心點上方。必要時可在此標示一物體的中心或邊界。

提示：在透過標示開口 **(2)** 標示一物體後（例如使用一枝筆），必須開始一個新的測量，因為測量可能會因筆而受到干擾。

所搜尋到物體的種類會顯示在顯示器中：



(h) 非磁性金屬，如銅管



(g) 具磁性金屬，如鋼筋



(f) 帶電，例如電線



(e) 非金屬，例如木樑

關於定位帶電線路的注意事項

- 線路必須為通電狀態。因此請將用電裝置（例如燈具、電器）連接到搜尋的電力線路上。請開啟用電裝置，以確保電力線路為通電狀態。
- 電力線路 **50 至 60 Hz** 的訊號必須達到測量工具上。若線路位於潮濕的牆內（例如空氣濕度 > 50 %）、金屬箔後方（例如隔熱層）或金屬中空管內，訊號便無法到達測量工具處，線路可能因而無法被找到。

- **測量工具必須良好接地。**為此請握緊（不穿戴手套）握面 (8)。請確保您自身確實接觸到地面。絕緣鞋、梯子或平台可能妨礙接觸。地面本身亦須接地，否則無法定位出線路位置。
- **電力線路 50 至 60 Hz 的訊號必須在線路上方較鄰近區域更強。**若牆體非常潮濕或未良好接地，訊號則會在整個牆體上有一樣的強度。測量工具便會在大範圍內指示找到訊號，但無法精確定位出線路位置。
在此情況下，將您空著的手放在距離測量工具 20–30 cm 的牆面上，以遠離牆體的訊號可能會有所幫助。然而測量過程中不應改變空著那隻手的位置。
- **多相電力線路（稱為三相電流或強電流）無法作為帶電電路進行定位，**因為不同相位的訊號會相互抵銷。但您可將深度較淺的多相電力線路作為金屬物體定位。
- **如特定瓷磚等導電的牆體表面可能導致電力線路未被指出，或發光環 (1) 在大範圍內亮起紅色。**
- **位置較淺的電力線路（深度最大至 2–3 cm）還可顯示為金屬物體。**然而這不適用於絞合電纜的情況。
- ▶ **在牆壁、天花板或地板進行鑽孔、鋸切或銑切之前，請關閉用電裝置並將導電線路斷電。**所有工作完成後，檢查裝在基材上的物體是否帶電。

關於物體指示的注意事項

- **開啟木材搜尋功能時，**也可能會將諸如充滿水的塑膠硬管、電線或瓦斯管線等物體指示為非金屬物體。進行鑽孔、鋸切或銑切前，請依照其他資訊來源檢查該處是否確實是木樑，而非其他物體（例如塑膠硬管、電線、瓦斯管線）。
- **基材內的釘子和螺絲可能會導致木樑在顯示器上被視為金屬物體。**
- **較寬的物體可透過亮起紅色的發光環 (1) 在大範圍內進行辨識。**此時寬大的物件可能會無法完整被指示出來。
- ▶ **在牆上進行鑽孔、鋸割或銑切之前，您應先細讀其他資訊來源，以確保安全。**由於測量結果可能受到環境因素或牆面特性所影響，即使測量指示器 (b) 在感應範圍內未顯示物體、無聲音訊號且光圈 (1) 亮起綠色，仍可能具危險性。


故障 – 原因和補救方法

原因	補救措施
溫度監控指示器 (k) 和示警指示器 (j) 亮起，無法進行測量	
測量工具處於工作溫度之外，或處於強烈溫度波動下。	請關閉測量工具，並在重新開機前先使其恢復至正常溫度。唯有測量工具內部溫度維持穩定時，才可進行精準的測量。

原因	補救措施
電波干擾指示器 (i) 和示警指示器 (j) 亮起。	
測量會因電場、磁場或電磁場而受到干擾（例如因測量工具附近的行動電話、筆記型電腦或平板電腦）。	儘可能在輻射會影響測量的裝置上停用其對應功能，或將裝置關閉。
示警指示器 (j) 閃爍。	
測量工具故障且無法運作。	將測量工具寄至授權的客戶服務中心 Bosch 。
指示金屬物體且測量指示器 (b) 持續有波動，即使測量工具附近並無金屬物體	
原廠校正不再有效（例如因從高處摔落）。	請手動重新校準測量工具（參見「重新校準測量工具」，頁 58）。
發光環 (1) 在放置於表面上時不再亮起。	
因探測範圍 (17) 髒污而無法偵測表面。	使用乾燥的軟布清潔測量工具，並重新啟動測量。
牆面接觸或表面可能因特殊的牆體性質（例如非常暗的表面）而無法被偵測。	將測量工具放在表面上。若要手動進行牆體偵測，請同時按住金屬 / 電流按鈕 (4) 和木材按鈕 (5)（約 3 秒），直到發光環 (1) 亮起並響起一個聲音訊號。接著請如平時進行測量。 提示： 在另一個表面上進行下一次測量前，必須再次重置手動牆體偵測。為此請關閉並再次啟動測量工具。

重新校準測量工具

若測量工具附近沒有任何金屬製的物體，但仍指示有金屬物體且測量指示器 (b) 持續波動，您可以手動重新校準測量工具。

-  請確保充電狀態指示燈 (d) 尚顯示至少 1/3 的電量。
- 關閉測量工具。
- 從測量工具周圍移走所有可能被顯示的物體（包含金屬材質手錶或戒指）。
水平手持測量工具，使測量工具的背面朝向地板。
- 若要切換為校準模式，請同時按下電源按鈕 (7) 以及聲音訊號按鈕 (6)。請長按住這兩個按鈕（約 5–10 秒），直到發光環 (1) 閃爍紅色。

- 若要開始新校準，請按下聲音訊號按鈕 (6) 並按住 (約 5–10 秒)，直到發光環 (1) 亮起紅色。
 - 若校準成功完成，則測量工具在數秒鐘後自動啟動並使用就緒。
- 提示：**若測量工具無法自動啟動，請再次重新校準。若測量工具仍未啟動，請將其寄至授權的 **Bosch**-客戶服務中心。

維修和服務

維修和清潔

- ▶ **每次使用前，請徹底檢查本測量工具。**測量工具內部若有肉眼可見的受損或有部件鬆動之情形，即無法保證功能安全無虞。
- 測量工具必須隨時保持清潔、乾燥，以便確保探測準確和操作安全。
- 不可以把儀器放入水或其它的液體中。
- 使用乾燥軟布擦拭污垢。切勿使用清潔劑或溶液。
- 請勿移除測量工具背面的滑動片 (18)。
- 儲放和搬運測量工具時，一定要將它放置在隨附的保護套袋內。

顧客服務處和顧客諮詢中心

本公司顧客服務處負責回答有關本公司產品的維修、維護和備用零件的問題。以下的網頁中有分解圖和備用零件相關資料：www.bosch-pt.com

如果對本公司產品及其配件有任何疑問，博世應用諮詢小組很樂意為您提供協助。

當您需要諮詢或訂購備用零件時，請務必提供本產品型號銘牌上 10 位數的產品機號。

台灣進口商

台灣羅伯特博世股份有限公司
建國北路一段90號6樓
台北市10491
電話: (02) 7734 2588
傳真: (02) 2516 1176
www.bosch-pt.com.tw

制造商地址:

Robert Bosch Power Tools GmbH
羅伯特·博世電動工具有限公司
70538 Stuttgart / GERMANY
70538 斯圖加特/ 德國

以下更多客戶服務處地址：

www.bosch-pt.com/serviceaddresses

搬運

建議使用的鋰離子充電電池受危險物品法的規範。使用者無須另外使用保護包裝便可運送該充電電池。

但是如果將它交由第三者運送（例如：寄空運或委托運輸公司），則應遵照包裝與標示的相關要求。此時必須向危險物品專家請教有關寄送危險物品的相關事宜。

確定充電電池的外殼未受損後，才可以寄送充電電池。用膠帶貼住裸露的接點並妥善包裝充電電池，不可以讓充電電池在包裝材料中晃動。同時也應留意各國相關法規。

廢棄物處理



電器、充電電池 / 拋棄式電池、配件以及包裝材料須遵照環保相關法規進行資源回收。



不可以把電器和充電電池 / 拋棄式電池丟入一般家庭垃圾中！

充電電池 / 拋棄式電池：

鋰離子：

請注意「搬運」段落中的指示（參見「搬運」，頁 60）。

有關台灣的更多資訊

NCC 警語

低功率射頻器材管理辦法：

取得審驗證明之低功率射頻器材，非經核准，公司、商號或使用者均不得擅自變更頻率、加大功率或變更原設計之特性及功能。

低功率射頻器材之使用不得影響飛航安全及干擾合法通信；經發現有干擾現象時，應立即停用，並改善至無干擾時方得繼續使用。

前述合法通信，指依電信管理法規定作業之無線電通信。

低功率射頻器材須忍受合法通信或工業、科學及醫療用電波輻射性電機設備之干擾。

한국어

안전 수칙



제시된 모든 지침을 숙지하고 이를 준수해야 합니다. 측정 공구를 해당 지침에 따라 사용하지 않으면, 측정공구에 내장되어 있는 안전장치에 안 좋은 영향을 미칠 수 있습니다. 본 설명서를 잘 보관하시기 바랍니다.

- ▶ 측정공구의 수리는 해당 자격을 갖춘 전문 인력에게 맡기고, 수리 정비 시 순정 부품만 사용하십시오. 이 경우에만 측정공구의 안전성을 오래 유지할 수 있습니다.
- ▶ 가연성 유체나 가스 혹은 분진 등 폭발 위험이 있는 곳에서 측정공구를 사용하지 마십시오. 측정공구에 분진이나 증기를 점화하는 스파크가 생길 수 있습니다.
- ▶ 배터리를 분해하지 마십시오. 단락이 발생할 위험이 있습니다.
- ▶ 배터리가 손상되었거나 잘못 사용될 경우 증기가 발생할 수 있습니다. 배터리에서 화재가 발생하거나 폭발할 수 있습니다. 작업장을 환기시키고, 필요한 경우 의사와 상담하십시오. 증기로 인해 호흡기가 자극될 수 있습니다.
- ▶ 배터리를 잘못 사용거나 배터리가 손상된 경우, 배터리에서 가연성 유체가 흘러나올 수 있습니다. 누수가 생긴 배터리에 닿지 않도록 하십시오. 피부에 접하게 되었을 경우 즉시 물로 씻으십시오. 유체가 눈에 닿았을 경우 바로 의사와 상담하십시오. 배터리에서 나오는 유체는 피부에 자극을 주거나 화상을 입힐 수 있습니다.
- ▶ 못이나 스크류 드라이버 같은 뾰족한 물체 또는 외부에서 오는 충격 등으로 인해 축전지가 손상될 수 있습니다. 내부 단락이 발생하여 배터리가 타거나 연기가 발생하고, 폭발 또는 과열될 수 있습니다.
- ▶ 배터리를 사용하지 않을 때는 각 극 사이에 브리징 상태가 생길 수 있으므로 페이퍼 클립, 동전, 열쇠, 못, 나사 등 유사한 금속성 물체와 멀리하여 보관하십시오. 배터리 극 사이에 쇼트가 일어나 화상을 입거나 화재를 야기할 수 있습니다.
- ▶ 제조사의 배터리 제품만 사용하십시오. 그래야만 배터리 과부하의 위험을 방지할 수 있습니다.
- ▶ 배터리는 제조사에서 권장하는 충전기에만 충전하십시오. 특정 제품의 배터리를 위하여 제조된 충전기에 적합하지 않은 다른 배터리를 충전할 경우 화재 위험이 있습니다.



배터리를 태양 광선 등 고열에 장시간 노출되지 않도록 하고 불과 오염물질, 물, 수분이 있는 곳에 두지 마십시오. 폭발 및 단락의 위험이 있습니다.



- ▶ 본 측정공구는 기술상의 이유로 절대적인 안전을 보장할 수 없습니다. 따라서 위험 가능성을 배제하려면 벽, 천장 또는 바닥에 드릴링, 톱 절단 또는 라우팅 작업을 하기 전에 항상 건축 도면, 건축 단계의 사진 등 다른 정보 자료들을 참고하여 안전 조치를 취해야 합니다. 습도 또는 강한 전 기장, 자기장 또는 전자기장을 생성하는 다른 전기 기기와의 근접성, 습기, 금속 함유 건축 자재, 알루미늄 호일 단열재, 전도성 벽지 또는 타일 과 같은 환경적 영향은 측정공구의 정확도에 영향을 줄 수 있습니다. 물체의 개수, 유형, 크기 및 위치에 따라 측정 결과가 왜곡될 수 있습니다.
- ▶ 건물 안에 가스관이 있는 경우, 벽, 천장 또는 바닥에서 작업한 후에는 항상 가스관이 손상되지 않았는지 확인하십시오.
- ▶ 건식 벽체에 물체를 고정할 때, 특히 하부 구조물에 고정할 때 벽 또는 고정용 자재의 하중지지능력이 충분한지 점검하십시오.
- ▶ 해당 무선설비는 전파혼신 가능성이 있으므로 인명안전 과 관련된 서비스는 할 수 없습니다 .

전원 플러그 관련 안전 수칙

- ▶ 본 전원 플러그는 어린이나 정신지체 및 신체 부자유자 혹은 경험이나 지식이 부족한 사람이 사용하기에 적합하지 않습니다. 본 전원 플러그는 안전 책임자의 감독 하에 혹은 감독자에게 전원 플러그의 안전한 사용법과 관련 위험사항에 대한 교육을 받고 이해한 경우에 한해 8세 이상의 어린이, 정신지체 및 신체 부자유자 혹은 경험이나 지식이 부족한 사람이 사용할 수 있습니다. 이를 지키지 않을 경우, 오작동과 부상의 위험이 따릅니다.



전원 플러그가 비에 맞지 않게 하고 습기 있는 곳에 두지 마십시오.

전원 플러그에 물이 들어가면 감전될 위험이 높습니다.

- ▶ 전원 플러그를 깨끗하게 유지하십시오. 오염으로 인해 감전이 발생할 수 있습니다.
- ▶ 사용하기 전에 항상 전원부를 점검하십시오. 손상된 부위가 발견되면 전 원부를 사용하지 마십시오. 전원부는 스스로 직접 분해하지 말고 공인된 Bosch 고객 서비스 센터에만 맡기고 순정 대체품으로만 수리하십시오. 손상된 전원부는 감전을 일으킬 위험이 높습니다.

제품 및 성능 설명

사용 설명서 앞 부분에 제시된 그림을 확인하십시오.

규정에 따른 사용

본 측정공구는 벽, 천장 및 바닥재 내부의 금속(철금속 및 비철금속, 예: 보강 철근), 목재 빔 및 전류가 흐르는 라인을 탐색하는 용도입니다.

측정공구는 실내 및 실외에서 모두 사용할 수 있습니다.

제품의 주요 명칭

제품의 주요 명칭에 표기되어 있는 번호는 측정공구의 그림이 나와있는 면을 참고하십시오.

- (1) 조명 링
- (2) 마킹 홀
- (3) 디스플레이
- (4) 전류/금속 버튼
- (5) 목재 버튼
- (6) 신호음 버튼
- (7) 전원 버튼
- (8) 손잡이면
- (9) 보호 가방
- (10) USB Type-C® 케이블^{a)b)}
- (11) 리튬 이온 배터리팩 잠금쇠^{a)}
- (12) 리튬 이온 배터리팩^{a)}
- (13) USB Type-C® 단자^{a)}
- (14) 배터리팩 충전 표시기^{a)}
- (15) 배터리 케이스 덮개 잠금쇠
- (16) 배터리 케이스 덮개
- (17) 센서 영역
- (18) 슬라이더
- (19) 일련 번호

a) 도면이나 설명서에 나와있는 액세스리는 표준 공급부품에 속하지 않습니다. 전체 액세스리는 저희 액세스리 프로그램을 참고하십시오.

b) USB Type-C® 및 USB-C®는 USB Implementers Forum의 상표입니다.

64 | 한국어

디스플레이 요소(그림 A 참조)

- (a) 물체 중앙 표시기
- (b) 측정 표시기
- (c) 신호음 상태 표시기
- (d) 충전상태 표시기
- (e) 비금속 물체 표시기
- (f) 전류가 흐르는 전선 표시기
- (g) 자성 금속 표시기
- (h) 비자성 금속 표시기
- (i) 기능 장애 표시기
- (j) 경고 표시기
- (k) 온도 모니터링 표시기

제품 사양

디지털 탐지기	GMS 120-27
품번	3 601 K81 7..
최대 감지 깊이 ^{A)}	
- 비철금속(구리)	120 mm ^{B)}
- 철금속	100 mm ^{C)}
- 활성 케이블 100-230 V(전압이 인가된 상태)	50 mm ^{D)}
- 건축 벽체에 있는 각재	30 mm
작동 온도	-10 °C ... +50 °C
보관 온도	-20 °C ... +70 °C
작동 주파수 범위	50 ± 2 kHz
최대 자계 강도(10 m인 경우)	42 dBµA/m
기준 높이를 초과한 최대 사용 높이	2000 m
상대 습도 최대	
- 물체 감지용	90 %
- 활성 케이블 분류용	50 %
IEC 61010-1에 따른 오염도	2 ^{E)}

디지털 탐지기

GMS 120-27

에너지 공급

- 리튬 이온 배터리팩	3.7 V
- 배터리(알칼리 망간)	2 × 1.5 V LR6 (AA)
- 충전용 배터리(니켈수소)	2 × 1.2 V HR6 (AA)

작동 시간, 약

- 리튬 이온 배터리팩 사용 시	5 h
- 배터리(알칼리 망간) 사용 시	6 h
- 충전용 배터리(니켈수소) 사용 시	7 h

EPTA-Procedure 01:2014에 따른 중량

- 리튬 이온 배터리팩 사용 시	0.27 kg
- 배터리(알칼리 망간)/충전용 배터리(니켈수소) 사용 시	0.29 kg

치수(길이 × 폭 × 높이)	186 × 86 × 33 mm
-----------------	------------------

보호 등급	IP54
-------	------

리튬 이온 배터리팩(액세서리)	BA 3.7V 1.0Ah A
-------------------------	------------------------

품번	1 607 A35 17H
----	----------------------

품번 JP	1 607 A35 0N8
-------	----------------------

충전 단자	USB Type-C®
-------	-------------

정격 전압	3.7 V [≡]
-------	--------------------

용량	1.0 Ah
----	--------

충전 시 권장되는 주변 온도	+10 °C ... +35 °C
-----------------	-------------------

작동 시 및 보관 시 권장되는 주변 온도	-10 °C ... +45 °C
------------------------	-------------------

전원 플러그(액세서리)

출력 전압	5.0 V [≡]
-------	--------------------

- A) 물체의 자재 및 크기와 바닥의 자재 및 상태에 따라 달라집니다.
- B) 직경 15 mm의 구리관의 경우
- C) 직경 12 mm의 철근의 경우
- D) 전류가 흐르지 않는 전선의 경우 감지 깊이가 더 낮음
- E) 비전도성 오염만 발생하지만, 가끔씩 이슬이 맺히면 임시로 전도성이 생기기도 합니다.

형식라벨의 일련번호 (19)를 통해 측정공구를 명확히 식별할 수 있습니다.

▶ **정확도와 스캐닝 깊이와 관련된 측정결과는 바닥 성분이 좋지 않을 경우 제대로 나오지 않을 수 있습니다.**

측정공구 전원 공급

본 측정공구에는 **Bosch** 리튬 이온 배터리팩 (12), 일반 배터리 또는 일반 니켈수소 충전용 배터리를 사용할 수 있습니다.

지침: 측정공구에 배터리 케이스 덮개 (16) 또는 리튬 이온 배터리팩 (12)을 끼우지 않은 상태로 보관하는 일이 절대 없도록 하고, 특히 먼지 혹은 습기가 있는 상태로 보관하지 마십시오.

디스플레이의 충전상태 표시기 (d)는 리튬 이온 배터리팩 (12) 또는 니켈수소 충전용 배터리의 충전상태를 표시합니다.

리튬 이온 배터리팩 사용 시

리튬 이온 배터리팩 삽입/교체하기

배터리 또는 니켈수소 충전용 배터리를 리튬 이온 배터리팩 (12)으로 교체하려면 배터리 케이스 덮개의 잠금쇠 (15)를 누르십시오. 배터리 케이스 덮개 (16) 및 삽입된 배터리 또는 충전용 배터리를 제거하십시오.

리튬 이온 배터리팩 (12)을 삽입한 후, 잠금쇠 (11)를 맞물려 고정시키십시오.

리튬 이온 배터리팩 (12)을 분리하려면, 잠금쇠 (11)를 누르고 측정공구에서 리튬 이온 배터리팩을 꺼내십시오.

리튬 이온 배터리팩 충전하기

▶ **출력 전압 및 최소 출력 전류가 "제품 사양" 단원에 제시된 요건에 부합하는 USB 전원부를 사용하십시오. USB 전원부의 사용 설명서 내용에 유의하십시오.**

- ▶ **전원 전압에 유의하십시오!** 공급되는 전원의 전압은 컨넥터 전원부의 명판에 표기된 전압과 동일해야 합니다. 230 V로 표시된 컨넥터 전원부는 220 V에서도 작동이 가능합니다.
- ▶ **배터리를 +10 °C ~ +35 °C의 온도 범위에서 USB에 연결해서만 충전하십시오.** 제시된 온도 범위를 벗어난 상태에서 충전하는 경우 배터리가 손상되거나 화재 발생 위험이 높아질 수 있습니다.

지침: 리튬 이온 배터리는 국제 운송 규정에 따라 일부만 충전되에 출고됩니다. 배터리의 성능을 완전하게 보장하기 위해서는 처음 사용하기 전에 배터리를 완전히 충전하십시오.

USB Type-C® 포트 **(13)**의 커버를 여십시오. USB 케이블 **(10)**을 통해 USB 포트를 USB 전원부에 연결하십시오. USB 전원부를 전원에 연결하십시오.

충전 표시기 (14) 색상 의미

황색	리튬 이온 배터리팩이 충전 중에 있습니다.
녹색	리튬 이온 배터리팩이 완충되었습니다.
적색	충전 전압 또는 충전 전류가 적합하지 않습니다.

충전 중에는 측정공구를 바닥 위에 완전히 올려 놓을 수 없기 때문에 측정이 불가능합니다.

충전 완료 후 USB 케이블 **(10)**을 제거하십시오. 먼지 및 비산수로부터 보호하려면 USB Type-C® 포트 **(13)**의 커버를 닫으십시오.

배터리/충전용 배터리를 사용한 작동

리튬 이온 배터리팩 **(12)**을 배터리/니켈수소 충전용 배터리로 교체하려면 리튬 이온 배터리팩 **(12)**을 제거하십시오.

측정공구 작동에는 알칼리 망간 배터리 또는 니켈수소 충전용 배터리를 사용할 것을 권장합니다.

배터리 또는 충전용 배터리를 삽입합니다.

이때 전극이 배터리 케이스 안쪽에 나와있는 것처럼 올바르게 끼워야 합니다.

배터리 케이스 덮개 **(16)**를 삽입한 후 배터리를 맞물려 고정시키십시오.

항상 배터리나 충전용 배터리는 모두 동시에 교환해 주십시오. 한 제조사의 동일한 용량의 배터리나 충전용 배터리만을 사용하십시오.

- ▶ **측정공구를 장기간 사용하지 않을 때는 배터리 및 충전용 배터리를 측정공구에서 분리하십시오.** 배터리 및 충전용 배터리를 측정공구에 오래 두면 부식되고 방전될 수 있습니다.

작동

- ▶ 측정공구가 물에 젖거나 직사광선에 노출되지 않도록 하십시오.
- ▶ 극한의 온도 또는 온도 변화가 심한 환경에 측정공구를 노출시키지 마십시오. 온도 변화가 심한 경우 스위치를 켜기 전에 먼저 온도에 적응할 수 있게 하십시오. 극심한 기온이나 온도 변화가 심한 경우 측정공구의 정확도와 디스플레이 표시에 지장을 줄 수 있습니다.
- ▶ 측정공구가 외부와 세계 부딪히거나 떨어지지 않도록 주의하십시오. 외부로부터 강한 충격을 받았거나, 기능적인 측면에 이상이 발생했다면 **Bosch** 공식 고객 서비스센터에 측정공구의 점검을 의뢰하는 것이 좋습니다.
- ▶ 측정 결과에 영향을 미치지 않도록 지정된 손잡이면 (8) 만 잡으십시오.
- ▶ 측정공구 뒷면의 센서 영역 (17) 에는 스티커나 라벨을 부착하지 마십시오. 특히 금속 라벨은 측정 결과에 영향을 미칩니다.



측정할 때 장갑을 착용하고 접지가 충분히 이루어졌는지 확인하십시오. 충분히 접지되지 않은 경우 전류가 흐르는 전선을 감지하는데 영향을 줄 수 있습니다.



측정하는 동안 강력한 전기장, 자기장 또는 전자기장이 방출되는 기기를 근처에 두지 마십시오(예: 휴대폰, 노트북 또는 태블릿). 측정에 영향을 미칠 수 있는 전자파를 방출하는 기기에서 해당 기능을 모두 비활성화시키거나 해당 기기의 전원을 끄십시오.

기계 시동

전원 스위치 작동

- ▶ 측정공구를 켜기 전에 센서 영역 (17) 에 습기가 있는지 점검하십시오. 필요한 경우 측정공구를 수건으로 닦아 말려 주십시오.
- ▶ 측정공구가 기온 변화가 심한 곳에 있었을 경우 정상 온도가 된 후에 스위치를 켜십시오.

측정공구의 전원을 켜려면 전원 버튼 (7) 을 누르십시오.

측정공구의 전원을 끄려면 전원 버튼 (7) 을 다시 누르십시오.

약 5 분 동안 측정공구에서 작동되는 버튼이 아무 것도 없고 물체가 감지되지 않으면, 에너지 절약을 위해 측정공구가 자동으로 꺼집니다.

신호음 켜기/끄기

신호음 버튼 (6) 을 눌러 신호음을 켜거나 끌 수 있습니다. 신호음이 꺼진 경우 디스플레이에 신호음 상태 표시기 (c) 가 나타납니다.

작동 방법(그림 B 참조)

측정공구를 사용해 센서 영역 **(17)** 의 바닥을 측정 방향 **A**에 따라 최대 탐지 깊이까지 점검합니다.

각 측정에서 금속 물체 (예: 구리관 또는 철근) 및 활선 케이블 (50–60 Hz) 이 자동으로 검색됩니다. 확인을 위해 금속/전류 버튼 **(4)** 이 점등됩니다.

추가로 건식 벽체에서 목재를 찾을 때도 목재 버튼 **(5)** 을 누르십시오. 이 기능은 목재 버튼 **(5)** 이 점등되면서 확인됩니다. 목재 검색 기능을 끄려면, 목재 버튼 **(5)** 또는 금속/전류 버튼 **(4)** 을 눌러서 목재 버튼 **(5)** 이 소등되게 하십시오.

지침: 목재 검색 기능은 목재 하부 구조가 있는 건식 벽체에서 검색할 때만 작동합니다. 다른 표면에서는 측정 결과가 손상될 수 있습니다.

측정 과정(그림 C 참조)

측정공구를 탐지하려는 표면에 올려 놓으십시오. 조명 링 **(1)** 이 점등되면서 측정 준비 상태를 표시합니다.

손잡이면 **(8)** 으로 측정공구를 고르게 잡으십시오. 측정 중에 손잡이를 변경하지 말고 특히 센서 영역 **(17)** 을 건드리지 마십시오.

가볍게 누른 상태로 바닥 위에서 **B** 방향을 향해 일직선으로 계속 측정공구를 움직여 주십시오. 측정공구를 들어 올리거나 버튼을 누르는 압력을 바꿀 필요가 없습니다. 측정공구의 움직임은 기본적으로 검색 중인 물체를 가로지르는 방향이어야 합니다. 벽에 있는 물체의 방향을 모를 경우 교차 측정을 진행하십시오(그림 C 참조).

위치 확인 표시:

- 센서 영역 아래에 물체가 없으면 조명 링 **(1)** 이 녹색으로 점등됩니다. 측정 표시기 **(b)** 가 비어 있고 음향 신호음이 울리지 않습니다.
- 측정공구가 물체에 접근하면 조명 링 **(1)** 이 적색으로 점등됩니다. 점점 더 가까워질수록 측정 표시기 **(b)** 의 눈금 표시가 늘어나고 신호음이 빨라집니다.
- 측정 표시기 **(b)** 가 물체의 중앙에 측정값의 최대 눈금 표시를 표시하고 물체 중앙 표시기 **(a)** 가 점등되고 연속 신호음이 울립니다. 조명 링 **(1)** 이 계속해서 적색으로 켜집니다.
- 측정공구가 물체에서 멀어지면, 물체 중앙 표시기 **(a)** 가 꺼지고, 측정 표시기 **(b)** 의 눈금 표시가 줄어들고 신호음 속도가 느려집니다.

물체를 처음 통과할 때 물체의 중앙과 경계가 대략적으로 표시됩니다. 물체 중앙의 위치를 정확하게 찾기 위해서는 물체 중앙이 다시 표시될 때까지(물체 중앙 표시기 **(a)** 가 켜짐) 측정공구를 들어 올리지 말고 물체 방향으로 다시 이동시키십시오.

보다 정확한 물체 경계를 설정하려면 조명 링 **(1)** 이 더 이상 적색으로 점등

70 | 한국어

되지 않을 때까지 측정공구를 물체 중앙으로부터 직선으로 계속 이동시키십시오.

마킹 홀 (2) 은 측정 중심점 위에 있습니다. 필요한 경우 여기에서 물체의 중앙 또는 경계를 표시할 수 있습니다.

지침: (펜 등을 사용해) 마킹 홀 (2) 을 관통하여 물체에 마킹한 후에는 펜이 측정에 영향을 줄 수 있으므로 측정을 다시 시작해야 합니다.

발견된 물체의 유형이 다음과 같이 디스플레이에 표시됩니다.



(h) 비자성 금속(예: 구리관)



(g) 자성 금속(예: 보강 철근)



(f) 전류가 흐르는 상태(예: 전선)



(e) 비금속(예: 각재)

활선 케이블 위치 찾기 관련 지침

- **케이블에 전원이 공급되어야 합니다.** 따라서 전원 소비 장치(예: 조명, 가전 제품)를 원하는 전원 케이블에 연결하십시오. 전원 소비 장치를 켜서 전원 케이블에 전압이 인가된 상태인지 확인하십시오.
- **전원 케이블의 50-60 Hz 신호가 측정공구에 도달해야 합니다.** 케이블이 습한 벽(예: 습도 > 50 %), 금속 호일(예: 단열재) 뒤 또는 빈 금속 도관 안에 있을 경우, 신호가 측정공구에 도달하지 않아 케이블을 찾을 수 없습니다.
- **측정공구의 접지 상태가 양호해야 합니다.** 이를 위해 (장갑을 착용하지 않은 상태에서) 손잡이면 (8) 을 단단히 붙잡으십시오. 사용자 역시 지면에 잘 접촉된 상태인지 확인하십시오. 절연 신발, 사다리 또는 층계참은 접촉을 방해할 수 있습니다. 바닥 자체도 접지되어 있어야 하며, 그렇지 않을 경우 케이블의 위치를 찾을 수 없습니다.
- **전원 케이블의 50-60 Hz 신호는 인접 영역보다 전선 위쪽이 더 강해야 합니다.** 벽이 매우 습하거나 접지가 불량한 경우, 신호가 벽 전체에서 동일하게 강해집니다. 그렇게 되면 측정공구는 넓은 영역에 걸쳐서 신호가 발견되었음을 표시하지만, 전선의 위치를 정확하게 찾을 수 없습니다. 이런 경우 측정공구에서 20-30 cm 떨어진 벽면에 맨손을 갖다 대면 벽에서 신호를 유도할 수 있습니다. 그러나 측정 과정 중에 맨손의 위치를 변경해서는 안 됩니다.
- **다상 전원 케이블(3상 전류 또는 중전류로도 알려짐)은 서로 다른 위상의 신호가 서로 상쇄되기 때문에 활선 케이블로 위치가 확인되지 않습니다.**

다. 다상 전원 케이블의 경우는 얇은 깊이에서 금속 물체로 위치를 확인할 수 있습니다.

- 예를 들면 특정 타일과 같이 전도성이 있는 벽면은 전원 케이블이 표시되지 않거나 조명 링 (1) 이 넓은 영역에 걸쳐서 적색으로 켜질 수 있습니다.
- 또한, 수평으로 설치된 전원 케이블(최대 2-3 cm 깊이)도 금속 물체로 표시될 수 있습니다. 단, 연선 케이블에는 해당되지 않습니다.
- ▶ **벽, 천장 또는 바닥에서 드릴링, 절단 또는 루팅 작업을 하기 전에 전력소비장치의 전원을 끄고 전압이 흐르는 라인에 전류가 흐르지 않도록 전환하십시오.** 작업 후에는 항상 바닥면에 설치된 물체에 전압이 흐르지 않는지 확인하십시오.

물체 표시에 관한 지침

- 목재 검색이 켜진 상태에서 물이 채워진 플라스틱 파이프, 전원 케이블 또는 가스관과 같은 다른 물체도 비금속 물체로 표시될 수 있습니다. 드릴, 톱, 루팅 작업을 진행하기 전에 다른 정보원을 통해서 다른 물체(예: 플라스틱 파이프, 전원 케이블, 가스관)가 아니라 실제 객체인지 확인하십시오.
- 바닥 내부의 못과 나사로 인해서 객체가 디스플레이에 금속 물체로 표시될 수 있습니다.
- 너비가 넓은 물체들은 적색 조명 링 (1) 의 넓은 영역에 불이 들어오는 것을 보고 확인할 수 있습니다. 상황에 따라 너비가 넓은 물체가 전체 크기로 표시되지 않을 수도 있습니다.
- ▶ **벽 내부에 드릴링, 쏘잉 또는 라우팅 작업을 하기 전에 다른 정보 자료를 참고해 위험을 방지해야 합니다.** 측정 결과는 환경의 영향 또는 벽의 특성에 영향을 받을 수 있으므로, 측정 표시기 (b) 의 센서 영역 안에 물체가 보이지 않고 신호음이 울리지 않으며 조명 링 (1) 이 녹색으로 점등되는 경우에도 위험이 존재할 수 있습니다.

고장 - 원인 및 대책

원인 해결 방법

온도 모니터링 표시기 (k) 및 경고 표시기 (j) 가 켜지면, 측정이 불가능합니다.

측정공구가 작동 온도를 벗어났거나, 강한 온도 변화에 노출되었습니다. 측정공구의 전원을 끄고 알맞은 온도로 조정되도록 한 후, 다시 전원을 켜십시오. 측정공구의 내부 온도가 일정하게 유지될 때만 정확한 측정이 가능합니다.


기능 장애 표시기 (i) 및 경고 표시기 (j) 가 점등됩니다.

72 | 한국어

원인	해결 방법
측정은 전기장, 자기장 또는 전자기장의 영향을 받습니다 (예: 측정공구 주변의 휴대 폰, 노트북 또는 태블릿).	측정에 영향을 미칠 수 있는 전자파를 방출하는 기기에서 해당 기능을 모두 비활성화시키거나 해당 기기의 전원을 끄십시오.
경고 표시기 (j) 가 깜박입니다.	
측정공구에 장애가 있고 더 이상 작동하지 않습니다.	측정공구를 Bosch 공인 서비스 센터에 맡기십시오.
측정공구 주변에 금속 물체가 없음에도 불구하고 금속 물체 표시기 및 측정 표시기 (b) 에 지속적으로 눈금이 표시됩니다.	
공장 초기 보정이 더 이상 유효하지 않습니다 (예: 높은 곳에서 추락).	측정공구를 수동으로 재보정하십시오 (참조 „측정공구 재보정하기“, 페이지 72).
바닥에 세울 때 조명 링 (1) 이 켜지지 않습니다.	
센서 영역 (17) 이 지저분해서 바닥을 감지할 수 없습니다.	부드러운 마른 천으로 측정공구를 청소하고, 측정을 새로 시작하십시오.
특수한 벽면 특성 (예: 매우 어두운 표면)으로 인해 벽면 접촉 또는 바닥을 인식하지 못합니다.	측정공구를 바닥 위에 설치하십시오. 수동 벽면 감지를 위해서는 조명 링 (1) 이 켜지고 신호음이 울릴 때까지 금속/전류 버튼 (4) 및 목재 버튼 (5) 을 동시에 길게 (약 3 초간) 누르십시오. 그런 다음 평소와 같이 측정을 진행하십시오. 지침: 다른 표면에서 다음 측정을 진행하기 전에 수동 벽면 감지를 다시 리셋해야 합니다. 이 경우 측정공구의 전원을 껐다가 다시 켜십시오.

측정공구 재보정하기

측정공구 가까이에 금속 소재의 물체가 없음에도 불구하고, 금속 물체가 표시되고 측정 표시기 (b) 의 눈금 표시가 지속적으로 표시되면, 측정공구를 수동으로 재보정할 수 있습니다.

-  충전 상태 표시기 (d) 에 적어도 1/3 이상의 용량이 표시되는지 확인하십시오.
- 측정공구의 전원을 끄십시오.

- 측정공구 주변에서 표시될지도 모를 모든 물체를 제거하십시오(손목 시계 또는 금속 소재의 반지 포함). 측정공구는 측정공구의 뒷면이 바닥을 향하도록 수평 상태로 공중에서 잡고 계십시오.
- 보정 모드로 전환하려면 전원 버튼 (7) 및 신호음 버튼 (6)을 동시에 누르십시오. 조명 링 (1) 이 적색으로 **깜박일 때까지** 두 버튼을 길게 누르십시오(약 5-10 초).
- 재보정을 시작하려면 조명 링 (1) 이 적색으로 **점등될 때까지** 신호음 버튼 (6)을 길게(약 5-10 초) 누르십시오.
- 보정이 성공적으로 진행되었으면, 몇 시간 후에 측정공구가 자동으로 시작된 후 다시 작동 준비 상태가 됩니다.

지침: 측정공구가 자동으로 시작되지 않으면, 재보정을 반복하십시오. 그럼에도 불구하고 측정공구가 작동을 시작하지 않는다면, 측정공구를 **Bosch** 공인 서비스 센터에 맡기십시오.

보수 정비 및 서비스

보수 정비 및 유지

▶ **측정공구를 사용하기 전에 항상 점검하십시오.** 눈에 띄는 손상이 있거나 측정공구 내부의 부품이 느슨한 경우 안전한 기능이 보장되지 않습니다. 안전하고 성공적인 작업을 하려면 측정공구를 항상 깨끗하고 건조한 상태로 유지하십시오.

측정공구를 물이나 다른 액체에 넣지 마십시오.

오염된 부위는 마른 부드러운 천으로 깨끗이 닦으십시오. 세척제 또는 용제를 사용하지 마십시오.

측정공구 뒷면의 슬라이더 (18)를 제거하지 마십시오.

반드시 측정공구를 함께 공급된 안전 케이스에 넣어 보관하고 운반하십시오.

AS 센터 및 사용 문의

AS 센터에서는 귀하 제품의 수리 및 보수정비, 그리고 부품에 관한 문의를 받고 있습니다. 대체 부품에 관한 분해 조립도 및 정보는 인터넷에서도 찾아 볼 수 있습니다 - www.bosch-pt.com

보수 사용 문의 팀에서는 보수의 제품 및 해당 액세서리에 관한 질문에 기꺼이 답변 드릴 것입니다.

문의나 대체 부품 주문 시에는 반드시 제품 네임 플레이트에 있는 10자리의 부품번호를 알려 주십시오.

74 | 한국어

콜센터
080-955-0909

다른 AS 센터 주소는 아래 사이트에서 확인할 수 있습니다.
www.bosch-pt.com/serviceaddresses

운반

권장하는 리튬이온 배터리는 위험물 관련 규정을 따릅니다. 배터리는 별도의 요구 사항 없이 사용자가 직접 도로 상에서 운반할 수 있습니다.

제3자를 통해 운반할 경우(항공 운송이나 운송 회사 등) 포장과 표기에 관한 특별한 요구 사항을 준수해야 합니다. 이 경우 발송 준비를 위해 위험물 전문가와 상담해야 합니다.

표면이 손상되지 않은 배터리만 사용하십시오. 배터리의 접촉 단자면을 덮어 불인 상태로 내부에서 움직이지 않도록 배터리를 포장하십시오. 또한 이와 관련한 국내 규정을 준수하십시오.

처리



전동공구, 충전용 배터리/배터리, 액세서리 및 포장은 친환경적으로 재활용됩니다.



전동공구와 충전용 배터리/배터리를 가정용 쓰레기로 처리하지 마십시오!

충전용 배터리/배터리:

리튬이온:

운반 단락에 나와 있는 지침을 참고하십시오 (참조 „운반“, 페이지 74).

ไทย

กฎระเบียบเพื่อความปลอดภัย



ต้องอ่านและปฏิบัติตามคำแนะนำทั้งหมด หากไม่ใช้เครื่องมือวัดตามคำแนะนำเหล่านี้ ระบบป้องกันเบ็ดเสร็จในเครื่องมือวัดอาจได้รับผลกระทบ เก็บรักษาคำแนะนำเหล่านี้สำหรับใช้อ้างอิงในภายหลัง

- ▶ **ส่งเครื่องมือวัดให้ช่างผู้เชี่ยวชาญตรวจสอบและใช้อะไหล่เปลี่ยนของแท้เท่านั้น** ทั้งนี้เพื่อให้มั่นใจได้ว่าจะสามารถใช้งานเครื่องมือวัดได้อย่างปลอดภัยเสมอ
- ▶ **อย่าใช้เครื่องมือวัดในสภาพแวดล้อมที่เสี่ยงต่อการระเบิด** ซึ่งเป็นที่ที่มีของเหลว แก๊ส หรือฝุ่นที่ติดไฟได้ ในเครื่องมือวัดสามารถเกิดประกายไฟซึ่งอาจจุดฝุ่นละออง หรือไอระเหยให้ติดไฟได้
- ▶ **อย่าเปิดแบตเตอรี่** อันตรายจากการลัดวงจร
- ▶ **เมื่อแบตเตอรี่ชาร์ตและนำไปใช้งานอย่าไม่ถูกต้องอาจมีไอระเหยออกมาได้** แบตเตอรี่อาจเผาไหม้หรือระเบิดได้ให้สูดอากาศบริสุทธิ์และไปพบแพทย์ในกรณีเจ็บปวด ไอระเหยอาจทำให้ระบบหายใจระคายเคือง
- ▶ **หากใช้อย่างไม่ถูกต้องหรือหากแบตเตอรี่ชาร์ต ของเหลวไวไฟ อาจไหลออกมาจากแบตเตอรี่ได้** หลีกเลี่ยงการสัมผัสของเหลว ในกรณีสัมผัสโดยไม่ตั้งใจ ให้ล้างออกด้วยน้ำ หากของเหลวเข้าตา ให้ไปพบแพทย์ด้วยของเหลวที่ไหลออกมาจากแบตเตอรี่อาจทำให้เกิดอาการคันหรือแสบผิวหนังได้
- ▶ **วัตถุที่แหลมคม ต. ย. เช่น ตะปูหรือไขควง หรือแรงกระทำภายนอก อาจทำให้แบตเตอรี่เสียหายได้** สิ่งเหล่านี้อาจทำให้เกิดการลัดวงจรภายในและแบตเตอรี่ไหม้ มีควัน ระเบิด หรือร้อนเกินไป
- ▶ **นำแบตเตอรี่ที่ไม่ได้ใช้งานออกห่างจากคลิพหนีบกระดาษ เหรียญ กุญแจ ตะปู สกรู หรือวัตถุโลหะขนาดเล็กอื่นๆ ที่สามารถเชื่อมต่อขั้วหนึ่งไปยังอีกขั้วหนึ่งได้** การลัดวงจรของขั้วแบตเตอรี่อาจทำให้เกิดการไหม้หรือไฟลุกได้
- ▶ **ใช้แบตเตอรี่ที่แพ็คเกจใบผลิตภัณฑ์ของผู้ผลิตเท่านั้น** ในลักษณะนี้ แบตเตอรี่แพ็คเกจจะได้รับการปกป้องจากการใช้งานเกินกำลังซึ่งเป็นอันตราย
- ▶ **ชาร์จแบตเตอรี่แพ็คเกจด้วยเครื่องชาร์จที่บริษัทผู้ผลิตแนะนำเท่านั้น** เครื่องชาร์จที่เหมาะสมสำหรับชาร์จแบตเตอรี่ประเภทหนึ่ง หากนำไปชาร์จแบตเตอรี่ประเภทอื่น อาจเกิดไฟไหม้ได้



ปกป้องแบตเตอรี่จากความร้อน รวมทั้ง ด.ย. เช่น จากการถูกแสงแดดส่องต่อเนื่อง จากไฟ ลิ่งสปริง น้ำ และความชื้น อันตรายจากการระเบิดและการลัดวงจร

- ▶ เครื่องมือวัดนี้ไม่สามารถรับประกันความปลอดภัยได้ร้อยเปอร์เซ็นต์เนื่องด้วยเหตุผลทางเทคโนโลยี เพื่อป้องกันไม่ให้เกิดความเสียหายต่อเอกสารข้อมูล ให้บุคคลผู้มองเห็นแผนการก่อสร้าง ภาพถ่ายขั้นตอนการก่อสร้าง ฯลฯ ด้วยวัสดุที่เหมาะสม ก่อนเจาะ เลื่อย หรือเข่าผนัง เพดาน หรือพื้น บังจ้ยด้านสภาพแวดล้อม เช่น ความชื้นในอากาศ หรือบริเวณใกล้เคียงกับอุปกรณ์ไฟฟ้าเครื่องอื่นที่ก่อให้เกิดสนามไฟฟ้า สนามแม่เหล็ก หรือสนามแม่เหล็กไฟฟ้าในระดับสูง ความเยือกแข็ง วัสดุอาคารที่มีส่วนประกอบของโลหะ วัสดุฉนวนที่เคลือบชั้นอะลูมิเนียม รวมทั้งวอลเปเปอร์หรือกระเบื้องที่มีคุณสมบัตินำความร้อน อาจทำให้ความแม่นยำของเครื่องมือวัดลดลง จำนวน ประเภท ขนาด และตำแหน่งของวัตถุอาจส่งผลให้การวัดผิดพลาดได้
- ▶ หากมีท่อก๊าซในอาคาร ให้ตรวจสอบหลังการทำงานบนผนัง เพดาน หรือพื้นทุกครั้งว่าไม่ท่อก๊าซไม่เสียหาย
- ▶ เมื่อใช้วัดดูเข้ากับผนังเบา ให้ตรวจสอบว่า ผนังหรือวัสดุยึดสามารถรับน้ำหนักเพียงพอ โดยเฉพาะอย่างยิ่งเมื่อยึดเข้ากับโครงสร้างส่วนล่าง

คำเตือนเพื่อความปลอดภัยสำหรับเพาเวอร์ซัพพลาย

- ▶ ปลั๊กอะแดปเตอร์ AC นี้ไม่ได้มีไว้เพื่อการใช้งานโดยเด็กและบุคคลที่มีความบกพร่องทางกายภาพ ทางประสาทสัมผัส หรือทางจิตใจ หรือบุคคลที่ขาดประสบการณ์และความรู้ เด็กอายุตั้งแต่ 8 ปีขึ้นไปและบุคคลที่มีความบกพร่องทางกายภาพ ทางประสาทสัมผัส หรือทางจิตใจ หรือขาดประสบการณ์และความรู้ สามารถใช้ปลั๊กอะแดปเตอร์ AC นี้ได้ หากได้รับการควบคุมดูแลจากบุคคลที่รับผิดชอบความปลอดภัยของพวกเขา หรือได้รับคำแนะนำขั้นต้นก่อนการใช้งานปลั๊กอะแดปเตอร์ AC อย่างปลอดภัยและเข้าใจถึงอันตรายที่เกี่ยวข้อง มิฉะนั้นจะมีอันตรายจากความผิดพลาดในการปฏิบัติงานและได้รับบาดเจ็บ



อย่าวางปลั๊กอะแดปเตอร์ AC ตกพื้นหรือทิ้งไว้ในที่ชื้นแฉะ หากน้ำเข้าไปปลั๊กอะแดปเตอร์ AC จะเพิ่มความเสี่ยงต่อการถูกไฟฟ้าดูด

- ▶ รักษาปลั๊กอะแดปเตอร์ AC ให้สะอาด ความสกปรกอาจเป็นสาเหตุให้ถูกไฟฟ้าดูด
- ▶ ตรวจสอบสถานีชาร์จก่อนใช้งานปลั๊กอะแดปเตอร์ AC ทุกครั้ง อย่าใช้ปลั๊กอะแดปเตอร์ AC หากท่านสังเกตเห็นความเสียหาย อย่าเปิดปลั๊กอะแดปเตอร์ AC ด้วยตัวเอง และให้ Bosch หรือศูนย์บริการที่ได้รับอนุญาตเชี่ยวชาญตรวจสอบและไขข้อสงสัยเปลี่ยนของแท้เท่านั้น เปิดปลั๊กอะแดปเตอร์ AC ที่ชำรุดจะเพิ่มความเสี่ยงต่อการถูกไฟฟ้าดูด

รายละเอียดผลิตภัณฑ์และข้อมูลจำเพาะ

กรุณาดูภาพประกอบในส่วนหน้าของคู่มือการใช้งาน

ประโยชน์การใช้งานของเครื่อง

เครื่องมือวัดนี้มีไว้เพื่อค้นหาโลหะ (โลหะเหล็กและอโลหะ เช่น เหล็กเสริมแรง) คานไม้ และสายไฟในผนัง เพดาน และพื้น

เครื่องมือวัดนี้เหมาะสำหรับใช้งานทั้งภายในและภายนอกอาคาร

ส่วนประกอบที่แสดงภาพ

ลำดับเลขของส่วนประกอบอ้างอิงถึงส่วนประกอบของเครื่องมือวัดที่แสดงในหน้าภาพประกอบ

- (1) ไฟวงแหวน
- (2) รูทำเครื่องหมาย
- (3) จอแสดงผล
- (4) ปุ่มวัดดูโลหะ/กระแสไฟฟ้า
- (5) ปุ่มวัสดุไม้
- (6) ปุ่มสัญญาณเสียง
- (7) ปุ่มเปิด/ปิด
- (8) พื้นผิวจับ
- (9) กระจ่างใส่เครื่องมือ
- (10) สาย USB Type-C^{(a)(b)}
- (11) ตัวล็อคของชุดแบตเตอรี่ลิเธียม-ไอออน^{a)}
- (12) ชุดแบตเตอรี่ลิเธียม-ไอออน^{a)}
- (13) ช็อกเก็ต USB Type-C^(a)
- (14) ตัวแสดงสถานะการชาร์จของชุดแบตเตอรี่^{a)}
- (15) ตัวล็อคฝาช่องใส่แบตเตอรี่
- (16) ฝาช่องใส่แบตเตอรี่
- (17) ช่วงเซ็นเซอร์
- (18) ตัวเลื่อน

(19) หมายเลขลำดับการผลิต

- a) อุปกรณ์ประกอบที่แสดงภาพหรืออธิบายไม่รวมอยู่ในการจัดส่งมาตรฐาน
กรุณาดูอุปกรณ์ประกอบทั้งหมดในรายการแสดงอุปกรณ์ประกอบของเรา
- b) USB Type-C® และ USB-C® เป็นเครื่องหมายการค้าของ USB Implementers Forum

องค์ประกอบของการแสดงผล (ดูภาพประกอบ A)

- (a) การแสดงผลศูนย์กลางวัตถุ
- (b) การแสดงผลการวัด
- (c) การแสดงสถานะสัญญาณเสียง
- (d) ไฟแสดงสถานะการชาร์จ
- (e) แสดงวัตถุที่ไม่ใช่โลหะ
- (f) แสดงผลสายนำกระแสไฟ
- (g) แสดงโลหะแม่เหล็ก
- (h) แสดงโลหะที่ไม่ใช่แม่เหล็ก
- (i) การแสดงผลสัญญาณรบกวนคลื่นวิทยุ
- (j) การแสดงค่าเตือน
- (k) แสดงการตรวจสอบอุณหภูมิแบตเตอรี่แพ็ค

ข้อมูลทางเทคนิค

อุปกรณ์ติดตามดิจิทัล	GMS 120-27
หมายเลขสินค้า	3 601 K81 7..
ความลึกสูงสุดในการตรวจจับตำแหน่ง ^{A)}	
- โลหะเหล็ก (ทองแดง)	120 มม. ^{B)}
- โลหะเหล็ก	100 มม. ^{C)}
- สายไฟที่มีกระแสไฟฟ้า 100–230 โวลต์ (เมื่อมีแรงดันไฟฟ้าอยู่)	50 มม. ^{D)}
- คานไม้ในผนังเบา	30 มม.
อุณหภูมิในการทำงาน	-10 °C ... +50 °C
อุณหภูมิในการเก็บรักษา	-20 °C ... +70 °C
ย่านความถี่ในการทำงาน	50 ± 2 kHz

อุปกรณ์ติดตามดิจิทัล	GMS 120-27
สูงสุด ความแรงของสนามแม่เหล็ก (ที่ 10 ม.)	42 dBµA/m
ความสูงในการใช้งานสูงสุดเหนือระดับอ้างอิง	2000 ม.
ความชื้นสัมพัทธ์สูงสุด	
– สำหรับการตรวจจับวัตถุ	90 %
– สำหรับการจำแนกสายไฟที่มีกระแสไฟฟ้า	50 %
ระดับมลพิษตาม IEC 61010-1	2 ^E
แหล่งจ่ายพลังงาน	
– ชุดแบตเตอรี่ลิเธียม-ไอออน	3.7 โวลท์
– แบตเตอรี่ (อัลคาไลน์-แมงกานีส)	2 × 1.5 โวลท์ LR6 (AA)
– แบตเตอรี่ (NiMH)	2 × 1.2 โวลท์ HR6 (AA)
ระยะเวลาทำงานประมาณ	
– พร้อมแบตเตอรี่แพ็คลิเธียม-ไอออน	5 ชม.
– พร้อมแบตเตอรี่ (อัลคาไลน์แมงกานีส)	6 ชม.
– พร้อมแบตเตอรี่ (NiMH)	7 ชม.
น้ำหนักตามระเบียบการ EPTA-Procedure 01:2014	
– พร้อมแบตเตอรี่แพ็คลิเธียม-ไอออน	0.27 กก.
– พร้อมแบตเตอรี่ (อัลคาไลน์แมงกานีส)/แบตเตอรี่แบบชาร์จได้ (NiMH)	0.29 กก.
ขนาด (ความยาว x ความกว้าง x ความสูง)	186 × 86 × 33 มม.
ระดับการป้องกัน	IP54
ชุดแบตเตอรี่ลิเธียม-ไอออน (อุปกรณ์เสริม)	BA 3.7V 1.0Ah A
หมายเลขสินค้า	1 607 A35 17H
หมายเลขสินค้า JP	1 607 A35 0N8
พอร์ตชาร์จ	USB Type-C®
แรงดันไฟฟ้กััด	3.7 โวลท์ \pm
ความจุ	1.0 Ah
อุณหภูมิโดยรอบที่แนะนำเมื่อชาร์จ	+10 °C ... +35 °C

อุปกรณ์ติดตามดิจิทัล	GMS 120-27
อุณหภูมิโดยรอบที่แนะนำสำหรับการใช้งานและการเก็บรักษา	-10 °C ... +45 °C
ปลั๊กจ่ายไฟฟ้า (อุปกรณ์เสริม)	
แรงดันไฟเอาต์พุต	5.0 โวลต์ \approx
กระแสไฟเอาต์พุตขั้นต่ำ	500 mA

- A) ขึ้นอยู่กับวัสดุ และขนาดของวัตถุ เช่นเดียวกับวัสดุ และสภาพใต้พื้น และมุมมองที่เลือก
- B) สำหรับท่อทองแดงที่มีเส้นผ่านศูนย์กลาง 15 มม.
- C) สำหรับเหล็กกล้าเสริมแรงที่มีเส้นผ่านศูนย์กลาง 12 มม.
- D) ความลึกในการตรวจจัมที่ต่ำกว่าสำหรับสายที่ไม่นำไฟฟ้า
- E) เกิดขึ้นเฉพาะมลพิษที่ไม่นำไฟฟ้า ยกเว้นบางครั้งนำไฟฟ้าได้ชั่วคราวที่มีสาเหตุจากการกัดกร่อนตัวที่คาดการณ์ว่าจะเกิดขึ้น

หมายเลขซีเรียล (19) บนแผ่นป้ายรุ่นมีไว้เพื่อระบุเครื่องมือวัดของคุณ

► ผลการวัดอาจเปลี่ยนแปลงในแง่ของความแม่นยำและความลึกในการตรวจจัม หากพื้นผิวไม่ได้

แหล่งจ่ายพลังงาน เครื่องมือวัด

เครื่องมือวัดสามารถทำงานได้โดยใช้ชุดแบตเตอรี่ลิเธียม-ไอออน (12) ของ Bosch, แบตเตอรี่ที่วางจำหน่ายทั่วไป หรือแบตเตอรี่ NiMH แบบชาร์จได้ที่วางจำหน่ายทั่วไป

หมายเหตุ: ห้ามจัดเก็บเครื่องมือวัดโดยไม่ปิดฝาช่องใส่แบตเตอรี่ (16) หรือไม่ใส่ชุดแบตเตอรี่ลิเธียม-ไอออน (12) โดยเด็ดขาด โดยเฉพาะอย่างยิ่งในสภาพแวดล้อมที่มีฝุ่นหรือเปียกชื้น

ตัวแสดงสถานะการชาร์จ (d) บนจอแสดงผลจะแสดงสถานะการชาร์จของชุดแบตเตอรี่ลิเธียม-ไอออน (12), แบตเตอรี่ หรือแบตเตอรี่ NiMH แบบชาร์จได้

การทำงานโดยใช้ชุดแบตเตอรี่ลิเธียม-ไอออน

การใส่/การเปลี่ยนชุดแบตเตอรี่ลิเธียม-ไอออน

หากต้องการเปลี่ยนจากแบตเตอรี่หรือแบตเตอรี่ NiMH แบบชาร์จได้มาใช้ชุดแบตเตอรี่ลิเธียม-ไอออน (12) ให้ดันตัวล็อก (15) ที่ฝาของใส่แบตเตอรี่ ถอดฝาของใส่แบตเตอรี่ (16) แล้วถอดแบตเตอรี่หรือแบตเตอรี่แบบชาร์จได้ที่ใส่ไว้ออกมา

ใส่ชุดแบตเตอรี่ลิเธียม-ไอออน (12) แล้วล็อกตัวล็อก (11) ให้เข้าที่

หากต้องการถอดชุดแบตเตอรี่ลิเธียม-ไอออน (12) ให้ดันตัวล็อก (11) แล้วนำชุดแบตเตอรี่ลิเธียม-ไอออนออกจากเครื่องมือวัด

การชาร์จชุดแบตเตอรี่ลิเธียม-ไอออน

- ▶ ในการชาร์จ ให้ใช้เฉพาะอะแดปเตอร์แปลงไฟ USB ที่มีแรงดันไฟเอาต์พุตและกระแสไฟเอาต์พุตขั้นต่ำสอดคล้องตามข้อกำหนดในหัวข้อ "ข้อมูลทางเทคนิค" ปฏิบัติตามคู่มือการใช้งานสำหรับอะแดปเตอร์แปลงไฟ USB
- ▶ ให้สังเกตแรงดันไฟฟ้า! แรงดันไฟฟ้าจากแหล่งจ่ายไฟที่ต้องมีค่าตรงกับค่าแรงดันไฟฟ้าที่ระบุไว้บนแผ่นป้ายพิกัดปลั๊กจ่ายไฟ ปลั๊กจ่ายไฟที่มีเครื่องหมาย 230 โวลต์สามารถใช้งานกับแรงดันไฟฟ้า 220 โวลต์ ได้ด้วย
- ▶ ชาร์จแบตเตอรี่ผ่านการเชื่อมต่อ USB ที่อุณหภูมิแวดล้อมระหว่าง +10 °C ถึง +35 °C เท่านั้น การชาร์จนอกช่วงอุณหภูมิอาจทำให้แบตเตอรี่เสียหายหรือเพิ่มความเสี่ยงที่จะเกิดไฟไหม้ได้

หมายเหตุ: แบตเตอรี่ลิเธียมไอออนถูกจัดตั้งโดยมีการชาร์จไฟบางส่วนตามระเบียบข้อบังคับด้านการขนส่งระหว่างประเทศ เพื่อให้อุ่นใจว่าแบตเตอรี่จะทำงานได้อย่างสมบูรณ์แบบ ก่อนใช้งานครั้งแรกให้ชาร์จแบตเตอรี่จนเต็ม

เปิดฝาดรอปพอร์ต USB Type-C® (13) เชื่อมต่อข้อกุกเก็ต USB เข้ากับอะแดปเตอร์แปลงไฟผ่านสาย USB (10) แล้วเชื่อมต่ออะแดปเตอร์แปลงไฟ USB เข้ากับแหล่งจ่ายไฟ

สีของตัวแสดงสถานะการชาร์จ (14)	ความหมาย
สีเหลือง	กำลังชาร์จชุดแบตเตอรี่ลิเธียม-ไอออน
สีเขียว	ชุดแบตเตอรี่ลิเธียม-ไอออนได้รับการชาร์จจนเต็ม
สีแดง	แรงดันไฟชาร์จหรือกระแสไฟชาร์จไม่เหมาะสม

ในระหว่างกระบวนการชาร์จจะไม่สามารถทำการวัดได้ เนื่องจากเครื่องมือวัดไม่สามารถวางบนพื้นผิวไดสนิท

ถอดสาย USB (10) ออกจากกระบวนการชาร์จเสร็จสมบูรณ์ แล้วปิดฝาดรอปข้อกุกเก็ต USB Type-C® (13) เพื่อป้องกันฝุ่นและน้ำกระเด็นเปียก

การทำงานกับแบตเตอรี่/แบตเตอรี่แพ็ค

หากต้องการเปลี่ยนจากชุดแบตเตอรี่ลิเธียม-ไอออน (12) มาใช้แบตเตอรี่/แบตเตอรี่ NiMH แบบชาร์จได้ ให้ถอดชุดแบตเตอรี่ลิเธียม-ไอออน (12)

ขอแนะนำให้ใช้แบตเตอรี่อัลคาไลน์-แมงกานีสหรือแบตเตอรี่ NiMH แบบชาร์จได้สำหรับการทำงานของเครื่องมือวัด

ใส่แบตเตอรี่หรือแบตเตอรี่แพ็คเข้าไป

ขณะใส่แบตเตอรี่ต้องดูให้ขั้วแบตเตอรี่อยู่ในตำแหน่งที่ถูกต้องตามที่กำหนดไว้ที่ด้านในช่องใส่แบตเตอรี่

ปิดฝาของไลมเบตเตอร์ (16) แล้วล็อกให้เข้าที่

เปลี่ยนเบตเตอร์หรือเบตเตอร์แพ็คทุกก้อนพร้อมกันเสมอ ใช้เฉพาะเบตเตอร์หรือเบตเตอร์แพ็คของผลิตเดียวกันและมีความจุเท่ากัน

- ▶ **เมื่อไม่ใช้งานเป็นเวลานาน ให้ถอดเบตเตอร์หรือเบตเตอร์แพ็คออกจากเครื่องมือวัดเบตเตอร์และเบตเตอร์แพ็คในเครื่องมือตัดอาจกัดกร่อนในระหว่างเก็บรักษาเป็นเวลานาน และปล่อยประจุออกเองได้**

การปฏิบัติงาน

- ▶ **ป้องกันไม่ให้เครื่องมือวัดได้รับความชื้นและโดนแสงแดดส่องโดยตรง**
- ▶ **อย่าให้เครื่องมือวัดได้รับอุณหภูมิที่สูงมาก หรือรับอุณหภูมิที่เปลี่ยนแปลงมาก หากมีความผันผวนของอุณหภูมิมาก กรุณาปล่อยให้อุณหภูมิลดลงก่อนที่จะเปิดสวิตช์เครื่องมือวัดที่ได้รับอุณหภูมิที่สูงมากหรือรับอุณหภูมิที่เปลี่ยนแปลงมาก เครื่องมือวัดและการ์ดแสดงผลอาจมีความแม่นยำน้อยลง**
- ▶ **อย่าให้เครื่องมือวัดถูกระแทกอย่างรุนแรงหรืออย่าให้ตกหล่น หลังได้รับการกระทบจากภายนอกอย่างรุนแรงและเมื่อพบความผิดปกติในการทำงาน ท่านควรส่งเครื่องมือวัดไปตรวจสอบที่ศูนย์บริการลูกค้า **Bosch** ที่ได้รับมอบหมาย**
- ▶ **ถือเครื่องมือวัดที่ตามจับที่มีอยู่เท่านั้น (8) เพื่อไม่ให้อาจผลกระทบต่อการวัด**
- ▶ **ไม่ติดสติ๊กเกอร์หรือป้ายที่บริเวณเซ็นเซอร์ (17) ซึ่งอยู่ที่ด้านหลังของเครื่องมือวัด โดยเฉพาะอย่างยิ่ง ป้ายโลหะส่งผลการวัด**



ไม่สวมถุงมือในระหว่างการวัด และตรวจสอบให้แน่ใจว่ามีวงจรกระแสไฟฟ้ากับพื้นดินเพียงพอ หากวงจรกระแสไฟฟ้ากับพื้นดินไม่เพียงพอ อาจส่งผลให้การตรวจจับสายนำไฟฟ้าลดลง



ในระหว่างการวัด ให้หลีกเลี่ยงการอยู่ใกล้อุปกรณ์ที่ปล่อยสนามไฟฟ้า สนามแม่เหล็ก หรือสนามแม่เหล็กไฟฟ้าในระดับสูง เช่น โทรศัพท์เคลื่อนที่ แลปท็อป หรือแท็บเล็ต หากเป็นไปได้ ให้ปิดใช้งานฟังก์ชันที่เกี่ยวข้องของอุปกรณ์ทั้งหมด ซึ่งการแผ่รังสีของอุปกรณ์อาจส่งผลการวัด หรือปิดใช้อุปกรณ์

การเริ่มต้นปฏิบัติงาน

การเปิด-ปิดเครื่อง

- ▶ **ก่อนเปิดเครื่องมือวัดตรวจสอบให้แน่ใจว่าบริเวณเซ็นเซอร์ (17) ไม่ชื้น หากจำเป็นให้ทำความสะอาด**
- ▶ **หากเครื่องมือวัดมีการเปลี่ยนแปลงอย่างมากในอุณหภูมิให้ปล่อยให้เย็นลงก่อนเปิดเครื่อง**

เปิดสวิตช์ เครื่องมือวัด โดยกดปุ่มเปิด-ปิด (7)

ปิดสวิทช์ เครื่องมือวัด โดยกดปุ่มเปิด-ปิดอีกครั้ง (7)

หากไม่ได้กดปุ่มใดๆ บนเครื่องมือวัดเป็นเวลาประมาณ 5 นาทีและไม่มี การตรวจพบวัตถุ เครื่องมือวัดจะปิดการทำงานโดยอัตโนมัติ

การเปิด-ปิดสวิทช์สัญญาณเสียง

ท่านสามารถเปิดและปิดสัญญาณเสียงด้วยปุ่มสัญญาณเสียง (6) เมื่อสัญญาณเสียงปิดอยู่ ตัวแสดงสถานะสัญญาณเสียง (c) จะปรากฏบนจอแสดงผล

การทำงาน (รูปภาพประกอบ B)

เครื่องมือวัดใช้เพื่อตรวจสอบพื้นผิวได้ของพื้นที่เซ็นเซอร์ (17) ในทิศทางการวัด A จนถึง ความลึกสูงสุดในการตรวจจับ

ในการตรวจวัดแต่ละครั้ง เครื่องจะค้นหาวัดโลหะ (เช่น ท่อทองแดงหรือเหล็กกล้าเสริมแรง) และสายไฟที่มีกระแสไฟฟ้า (50-60 เฮิร์ตซ์) โดยอัตโนมัติ ปุ่มวัดโลหะ/กระแส ไฟฟ้า (4) จะติดสว่างเพื่อยืนยันการทำงาน

หากต้องการตรวจหาไม้ในผนังมวลเวลาเพิ่มเติม ให้กดปุ่มวัสดุไม้ (5) ปุ่มวัสดุไม้ (5) จะ ติดสว่างเพื่อยืนยันการทำงาน หากต้องการปิดการค้นหาไม้ ให้กดปุ่มวัสดุไม้ (5) หรือปุ่ม วัดโลหะ/กระแสไฟฟ้า (4) เพื่อให้ปุ่มวัสดุไม้ดับลง (5)

หมายเหตุ: โปรดเปิดใช้งานฟังก์ชันการค้นหาไม้สำหรับการตรวจหาในผนังมวลเบาที่มี โครงสร้างไม่หนาแน่น การตรวจหาบนพื้นผิวอื่นๆ อาจทำให้ผลการวัดมีประสิทธิภาพลดลง

กระบวนการวัด (รูปภาพประกอบ C)

เครื่องมือวัดบนพื้นผิวที่ต้องการตรวจสอบ โฟวงแหวน (1) จะติดสว่างเพื่อแสดงความ พร้อมของระบบวัด

ถือเครื่องมือให้มั่นคงและอยู่ในระดับเดียวกันที่ส่วนมือจับ (8) อย่าเปลี่ยนตำแหน่งมือจับ ในระหว่างตรวจวัด และโดยเฉพาะอย่างยิ่งอย่าเอื้อมมือเข้าไปในบริเวณเซ็นเซอร์ (17)

เคลื่อนเครื่องมือวัดตามแนวเส้นตรงไปยังทิศทาง B โดยใช้แรงกดเบาๆ เสมอโดยไม่ต้อง ยกหรือเปลี่ยนแรงดันหน้าสัมผัส การเคลื่อนที่ของเครื่องมือวัดควรเกิดขึ้นตามแนวขวาง เข้าหาวัตถุที่ตรวจหาอยู่ หากไม่ทราบทิศทางของวัตถุในผนัง ให้ทำการตรวจหาตามแนว ทิศทางกาทบาท (ดูที่ภาพ C)

การแสดงตำแหน่ง:

- หากไม่พบวัตถุใดๆ ภายในบริเวณเซ็นเซอร์ โฟวงแหวน (1) จะติดสว่างเป็นสีเขียว ตัว แสดงการวัด (b) จะไม่มีข้อมูล และสัญญาณเสียงจะไม่ดังขึ้น
- หากเครื่องมือวัดอยู่ใกล้วัตถุ โฟวงแหวน (1) จะติดสว่างเป็นสีแดง เมื่ออยู่ในระยะที่ ใกล้ขึ้น แถบเบี่ยงเบนที่ตัวแสดงการวัด (b) จะเพิ่มขึ้น และจังหวะของเสียงสัญญาณจะ เร็วขึ้น

- เมื่ออยู่เหนือกึ่งกลางวัตถุ ตัวแสดงการวัด (b) จะแสดงแถบเบี่ยงเบนที่มีค่าสูงสุดใน การตรวจวัด ตัวแสดงผลศูนย์กลางวัตถุ (a) จะติดสว่าง และสัญญาณเสียงจะดังตอเนื่อง ไฟวงแหวน (1) จะติดสว่างต่อเนื่องเป็นสีแดง
- หากเครื่องมือวัดอยู่ห่างจากวัตถุ ตัวแสดงผลศูนย์กลางวัตถุจะดับลง (a) แถบเบี่ยงเบนที่ตัวแสดงการวัด (b) จะลดลง และจังหวะของสัญญาณเสียงจะช้าลง

ในครั้งแรกที่เคลื่อนผ่านบริเวณกึ่งกลางและขอบของวัตถุ ตำแหน่งดังกล่าวจะถูกแสดงอย่างคร่าวๆ


หากต้องการระบุตำแหน่งกึ่งกลางของวัตถุอย่างแม่นยำ ให้เคลื่อนเครื่องมือวัดย้อนกลับไปตามทิศทางของวัตถุโดยไม่ต้องยกขึ้น จนกระทั่งศูนย์กลางวัตถุปรากฏขึ้นอีกครั้ง (ตัวแสดงผลศูนย์กลางวัตถุ (a) ติดสว่าง)

หากต้องการระบุขอบของวัตถุให้แม่นยำขึ้น ให้เคลื่อนเครื่องมือวัดออกจากศูนย์กลางวัตถุ ตามแนวเส้นตรงต่อไป จนกระทั่งไฟวงแหวน (1) ไม่ติดสว่างเป็นสีแดงอีก

รูทำเครื่องหมาย (2) จะอยู่เหนือจุดศูนย์กลางการวัด คุณสามารถทำเครื่องหมายจุดกึ่งกลางหรือขอบของวัตถุโดยใช้รูนี้ได้ตามต้องการ

หมายเหตุ: หลังจากทำเครื่องหมายวัตถุโดยใช้รูทำเครื่องหมาย (2) (เช่น ด้วยปากกา) คุณจะต้องเริ่มการตรวจวัดใหม่ เนื่องจากรอยปากกาอาจส่งผลการวัดได้

ประเภทของวัตถุที่ตรวจพบจะปรากฏบนจอแสดงผล:

 (h) โลหะที่ไม่ใช่แม่เหล็ก (เช่น ทองแดง)

 (g) โลหะแม่เหล็ก (เช่น เหล็กเสริมแรง)

 (f) สายนำกระแสไฟ เช่น สายไฟฟ้า

 (e) อโลหะ เช่น คานไม้

หมายเหตุเกี่ยวกับการระบุตำแหน่งของสายไฟที่มีกระแสไฟฟ้า

- **สายไฟต้องมึ่แรงดันไฟฟ้าไหลผ่าน** ดังนั้นให้เชื่อมต่ออุปกรณ์ที่ใช้ไฟฟ้า (เช่น หลอดไฟ และอุปกรณ์ต่างๆ) ไปยังสายไฟที่ตรวจหา เปิดอุปกรณ์ที่ใช้ไฟฟ้าเพื่อ何在ใจไดวาสายไฟดังกล่าวมีแรงดันไฟฟ้าไหลผ่าน
- **ค่าสัญญาณจากสายไฟยังเครื่องมือวัดต้องอยู่ในช่วง 50 ถึง 60 Hz** หากสายไฟอยู่ในผนังหิน (เช่น ความชื้น > 50 %) อยู่ด้านหลังพอลิโลหะ (เช่น พอยลฉนวนกันความร้อน) หรืออยู่ในท่อโลหะเปลว สัญญาณดังกล่าวจะปลดออกไม่ไปถึงเครื่องมือวัด และเครื่องจะตรวจไม่พบสายไฟ
- **เครื่องมือวัดต้องได้รับการต่อกราวด์อย่างเหมาะสม** ให้จับเครื่องมือไว้ให้มั่นคง (โดยไม่ต้องสวมถุงมือ) ที่ส่วนมือจับ (8) ตรวจสอบว่าคุณอยู่ในบริเวณที่เท่าสัมผัสกับพื้นดินเป็นอย่างดี รองเท้าฉนวน ยันได หรือไฟเดียมอาจกีดขวางหน้าสัมผัสได้ ทั้งนี้ บริเวณพื้นดิน

กล่าวต้องได้รับการต่อกรวดด้วยเช่นกัน มิฉะนั้นจะไม่สามารถระบุตำแหน่งของสายไฟได้

- **สัญญาณในช่วง 50 ถึง 60 Hz ของสายนำไฟฟ้าบริเวณเหนือสายไฟต้องมีความสูงกว่าสายไฟบริเวณใกล้เคียงโดยตรง** หากผนังขึ้นมากหรือขาดประสิทธิภาพในการต่อกรวด สัญญาณบริเวณผนังทั้งแถบจะมีความแรงเท่ากัน เครื่องมือวัดจะแสดงการตรวจพบสัญญาณเป็นบริเวณกว้าง แต่ไม่สามารถระบุตำแหน่งที่แน่นอนของสายไฟได้ในกรณีดังกล่าว ให้ใช้วิธีทาบมือคานที่วางอยู่บนผนังโดยรักษาระยะห่าง 20–30 ซม. จากเครื่องมือวัดเพื่อให้อาณัติสัญญาณเบี่ยงออกจากผนัง ทั้งนี้ไม่ควรเปลี่ยนตำแหน่งของมือคานที่วางอยู่ในระหว่างที่ทำการตรวจวัด
 - สายไฟฟ้าแบบหลายเฟส (หรือที่เรียกว่ากระแสไฟแบบสามเฟสหรือกระแสไฟสูง) จะไม่ถูกระบุเป็นสายไฟที่มีกระแสไฟฟ้า เนื่องจากสัญญาณของแต่ละเฟสทำให้เกิดการยกเลิกสัญญาณระหว่างกัน คุณสามารถหาตำแหน่งของสายไฟฟ้าแบบหลายเฟสในบริเวณที่ไม่ลึกมากโดยใช้การตรวจหาวัตถุโลหะได้
 - พื้นผิวผนังที่มีคุณสมบัตินำความร้อน เช่น กระเบื้องบางชนิดอาจทำให้เครื่องมือไม่สามารถแสดงผลการตรวจพบสายไฟใต้ หรือไฟวงแหวน (1) อาจติดสว่างสีแดงเป็นบริเวณกว้าง
 - สายไฟที่จัดวางแบบแนบราบ (ลึกไม่เกิน 2–3 ซม.) อาจแสดงผลเพิ่มเติมเป็นวัตถุโลหะได้ อย่างไรก็ตาม กรณีดังกล่าวจะไม่รวมถึงสายไฟแบบตีเกลียว
- ▶ **ปิดสวิทช์เครื่องใช้ไฟฟ้าและสายไฟที่มีกระแสไฟอยู่ก่อนจะเสียบ หรือเข้าผนังเพดานหรือพื้น** หลังจากทำงานเสร็จแล้วให้ตรวจสอบว่า วัตถุที่ติดกับพื้นผิวปราศจากกระแสไฟฟ้า

หมายเหตุเกี่ยวกับการแสดงผลวัตถุ

- เมื่อเปิดใช้งานการตรวจหาไม่ วัตถุอื่นๆ เช่น ท่อพลาสติกที่มีน้ำอยู่ สายไฟฟ้า หรือสายแก๊สอาจแสดงผลเป็นวัตถุที่ไม่ใช่โลหะด้วยเช่นกันในบางกรณี ก่อนทำงานเจาะรู งานเสียบ หรืองานเข้าผนัง โปรดตรวจสอบโดยอาศัยแหล่งข้อมูลอื่นรวมด้วย เพื่อยืนยันว่าพื้นผิวดังกล่าวเป็นแผ่นไม้และไม่ใช่วัตถุชนิดอื่น (เช่น ท่อพลาสติก สายไฟ หรือสายแก๊ส)
 - ตะปูและสกรูในพื้นที่ผิวและใต้พื้นผิวอาจส่งผลให้คานไม้ปรากฏเป็นวัตถุโลหะในจอแสดงผล
 - วัตถุที่มีขนาดกว้างกว่าสามารถสังเกตได้จากไฟวงแหวน (1) ที่ติดสว่างสีแดงเป็นบริเวณกว้าง อย่างไรก็ตาม เครื่องมืออาจไม่แสดงผลวัตถุที่มีขนาดกว้างอย่างเต็มขอบเขตในบางกรณี
- ▶ **ก่อนที่จะเจาะเสียบหรือเดินสายเข้าไปในกำแพง คุณควรมองกันตนเองไม่ให้เกิดอันตรายด้วยชุดป้องกัน** เนื่องจากสิ่งแวดลอมหรือลักษณะของผนังอาจส่งผลกระทบต่อเครื่องวัด จึงอาจเกิดอันตรายได้ แม้ว่าจอแสดงผลการวัด (b) จะไม่แสดงวัตถุในบริเวณเข้าเครื่องมือ ไม่มีสัญญาณเสียงเตือน วงแหวนเรืองแสง (1) ส่องสว่างสีเขียวก็ตาม

ข้อผิดพลาด – สาเหตุและมาตรการแก้ไข

สาเหตุ	มาตรการแก้ไข
หากไฟแสดงการตรวจสอบอุณหภูมิ (k) และไฟเตือน (j) ติดสว่าง เครื่องจะไม่สามารถทำการตรวจวัดได้	
อุณหภูมิของเครื่องมือวัดอยู่นอกช่วงอุณหภูมิการทำงานหรือเกิดการผันผวนของอุณหภูมิเป็นอย่างมาก	ปิดสวิตช์เครื่องมือวัด และปล่อยให้อุณหภูมิลดลง ก่อนที่จะเปิดสวิตช์เครื่องอีกครั้ง เครื่องจะสามารถตรวจวัดได้อย่างแม่นยำต่อเมื่ออุณหภูมิภายในเครื่องมือวัดอยู่ในระดับคงที่
การแสดงผลสัญญาณรบกวนคลื่นวิทยุ (i) และไฟเตือน (j) ติดสว่าง	
การวัดถูกลดทอนประสิทธิภาพเนื่องจากสนามไฟฟ้า สนามแม่เหล็ก หรือสนามแม่เหล็กไฟฟ้า (เช่น จากโทรทัศน์เคลื่อนที่ แล็ปท็อป หรือแท็บเล็ตในบริเวณใกล้เคียงกับเครื่องมือวัด)	หากเป็นไปได้ ให้ปิดใช้งานฟังก์ชันที่เกี่ยวข้องของลำหับอุปกรณ์ทั้งหมดซึ่งการแผ่รังสีของอุปกรณ์อาจส่งผลกระทบต่อการวัด หรือปิดใช้อุปกรณ์
ไฟเตือน (j) กระพริบ	
เครื่องมือวัดเกิดความขัดข้องและไม่สามารถใช้งานได้อีกต่อไป	ส่งเครื่องมือวัดไปยังศูนย์บริการลูกค้า Bosch ที่ผ่านการรับรอง
การแสดงผลวัตถุโลหะและแถบเบี่ยงเบนอย่างต่อเนื่องที่ตัวแสดงผลการวัด (b) แม้ว่าจะไม่มียุติโลหะอยู่ในบริเวณใกล้เคียงกับเครื่องมือวัด	
การเปรียบเทียบจากโรงงานไม่สามารถใช้ได้อีกต่อไป (เช่น เนื่องจากการตกจากที่สูง)	ให้เปรียบเทียบเครื่องมือวัดด้วยตนเองโดยใช้ (ดู "การเปรียบเทียบเพิ่มเติมสำหรับเครื่องมือวัด", หน้า 87)
โฟวแทน (1) ไม่ติดสว่างเมื่อจัดวางเครื่องมือบนพื้นผิว	
เครื่องมือไม่สามารถตรวจจับพื้นผิวได้เนื่องจากบริเวณเซ็นเซอร์ (17) สกปรก	ทำความสะอาดเครื่องมือวัดด้วยผ้าแห้งนุ่มและเริ่มการตรวจวัดอีกครั้ง
เครื่องมือไม่สามารถตรวจจับหน้าสัมผัสผนังหรือพื้นผิวได้เนื่องจากคุณสมบัติเฉพาะบางประการของผนัง (เช่น พื้นผิวขรุขระมาก)	วางเครื่องมือวัดลงบนพื้นผิว สำหรับการตรวจหาผนังด้วยตนเอง ใ้กดปุ่มวัตถุโลหะ/กระแสไฟฟ้า (4) และปุ่มวัสดุไม้ (5) ค้างไว้พร้อมกัน (ประมาณ 3 วินาที) จนกระทั่งโฟวแทน (1) ติดสว่างและสัญญาณเสียงดังขึ้น ดำเนินการวัดตามปกติ หมายเหตุ: ก่อนการวัดครั้งถัดไปบนพื้นผิวอื่น คุณ


สาเหตุ

มาตรการแก้ไข

จำเป็นต้องรู้ขั้นตอนการตรวจหาพ่นด้วยตนเองอีกครั้ง โดยปิดสวิตช์เครื่องมือวัดและเปิดใหม่อีกครั้ง

การเปรียบเทียบเพิ่มเติมสำหรับเครื่องมือวัด

หากเครื่องมือวัดแสดงการตรวจพบวัตถุโลหะและตัวแสดงการวัด (b) แสดงแถบเบี่ยงเบนอย่างต่อเนื่องแม้ว่าจะไม่มีวัตถุโลหะอยู่ในบริเวณใกล้เคียงกับเครื่องมือวัด คุณสามารถเปรียบเทียบเครื่องมือวัดเพิ่มเติมได้ด้วยตนเอง

-  ตรวจสอบให้แน่ใจว่าไฟแสดงสถานะการชาร์จ (d) ยังคงแสดงความจุอย่างน้อย 1/3
- ปิดสวิตช์เครื่องมือวัด
- นำวัตถุทั้งหมดที่อาจปรากฏออกจากบริเวณใกล้เคียงกับเครื่องมือวัด (รวมถึงนาฬิกาหรือวงแหวนโลหะ)
- ถูเครื่องมือวัดในแนวนอนในอากาศเพื่อให้ด้านหลังของเครื่องมือวัดหันเข้าหาพื้น
- หากต้องการสลับเข้าสู่โหมดการเปรียบเทียบ ให้กดปุ่มเปิด/ปิดเครื่อง (7) รวมทั้งปุ่มสัญญาณเสียง (6) พร้อมกัน กดทั้งสองปุ่มค้างไว้ (ประมาณ 5–10 วินาที) จนกระทั่งไฟวงแหวน (1) **กะพริบ** เป็นสีแดง
- หากต้องการเริ่มการเปรียบเทียบใหม่ ให้กดปุ่มสัญญาณเสียง (6) ค้างไว้ (ประมาณ 5–10 วินาที) จนกระทั่งไฟวงแหวน (1) **ติดสว่าง** เป็นสีแดง
- หากการเปรียบเทียบเสร็จสมบูรณ์ เครื่องมือวัดจะเริ่มต้นอัตโนมัติในอีกไม่กี่วินาทีและจะพร้อมทำงานได้อีกครั้ง

หมายเหตุ: เครื่องมือวัดจะเริ่มต้นอัตโนมัติในอีกไม่กี่วินาทีและจะพร้อมทำงานได้อีกครั้ง หากเครื่องมือวัดยังไม่เริ่มทำงาน ให้ส่งไปที่ศูนย์บริการลูกค้า Bosch ที่ผ่านการรับรอง

การบำรุงรักษาและการบริการ

การบำรุงรักษาและการทำความสะอาด

- ▶ **ตรวจสอบเครื่องมือวัดก่อนใช้งานทุกครั้ง** หากมีความเสียหายที่มองเห็นได้หรือมีชิ้นส่วนหลุดหลวมภายในเครื่องมือวัด จะไม่รับประกันอีกต่อไปว่าเครื่องมือวัดจะทำงานได้อย่างปลอดภัย

รักษาเครื่องมือวัดให้สะอาดและแห้งอยู่เสมอ เพื่อจะได้ทำงานได้ดีและปลอดภัย

อย่าจุ่มเครื่องมือวัดลงในน้ำหรือของเหลวอื่นๆ

เช็ดสิ่งสกปรกออกด้วยผ้าที่นุ่มและแห้ง อย่าใช้สารซักฟอกหรือตัวทำละลาย

ถอดตัวเลื่อน (18) ที่ด้านหลังของเครื่องมือวัด

เก็บรักษาและขนย้ายเครื่องมือวัดเฉพาะเมื่อบรรจุอยู่ภายในกระเป๋าใส่เครื่องมือวัดที่จัดมาให้เท่านั้น

การบริการหลังการขายและการให้คำปรึกษาการใช้งาน

ศูนย์บริการหลังการขายของเรายินดีตอบคำถามของท่านที่เกี่ยวกับการบำรุงรักษาและการซ่อมแซมผลิตภัณฑ์รวมทั้งเรื่องอะไหล่ ภาพเขียนแบบการประกอบและข้อมูลเกี่ยวกับอะไหล่ กรุณาดูใน: www.bosch-pt.com ทีมงานที่ปรึกษาของ บอช ยินดีให้ข้อมูลเกี่ยวกับผลิตภัณฑ์ของเราและอุปกรณ์ประกอบต่างๆ

เมื่อต้องการสอบถามและสั่งซื้ออะไหล่ กรุณาแจ้งหมายเลขสินค้า 10 หลักบนแผ่นป้ายรุ่นของผลิตภัณฑ์ทุกครั้ง

ไทย

ไทย บริษัท โรเบิร์ต บอช จำกัด
เอฟวายไอ เซ็นเตอร์ อาคาร 1 ชั้น 5
เลขที่ 2525 ถนนพระราม 4
แขวงคลองเตย เขตคลองเตย กรุงเทพฯ 10110
โทร: +66 2012 8888
แฟกซ์: +66 2064 5800
www.bosch.co.th

ศูนย์บริการซ่อมและฝึกอบรม บอช
อาคาร ลาซาลทาวเวอร์ ชั้น G ห้องเลขที่ 2
บ้านเลขที่ 10/11 หมู่ 16
ถนนศรีนครินทร์ ตำบลบางแก้ว อำเภอบางพลี
จังหวัดสมุทรปราการ 10540
ประเทศไทย
โทรศัพท์ 02 7587555
โทรสาร 02 7587525

สามารถดูที่อยู่ศูนย์บริการอื่นๆ ได้ที่:

www.bosch-pt.com/serviceaddresses

การขนส่ง

แบตเตอรี่ลิเธียมไอออนที่แนะนำให้ใช้ อยู่ภายใต้ข้อกำหนดแห่งกฎหมายสินค้าอันตราย ผู้ใช้สามารถขนส่งแบตเตอรี่แพ็คโดยทางถนนโดยไม่มีขอบังคับอื่นหากขนส่งโดยบุคคลที่สาม

(เช่น : การขนส่งทางอากาศ หรือตัวแทนขนส่งสินค้า) ต้องปฏิบัติตามข้อกำหนดพิเศษเกี่ยวกับการบรรจุภัณฑ์และการติดฉลาก สำหรับการจัดเตรียมสิ่งของที่จัดส่ง จำเป็นต้องปรึกษาผู้เชี่ยวชาญด้านวัตถุอันตราย ส่งแบตเตอรี่แพ็คเมื่อตัวหุ้มไม่ชำรุดเสียหายเท่านั้น ไขแถบกาวพันปิดหน้าสัมผัสที่เปิดอยู่ และนำแบตเตอรี่แพ็คใส่กล่องบรรจุโดยไม่ให้เคลื่อนไปมาในกล่องได้ นอกจากนี้ กรุณาปฏิบัติตามกฎระเบียบของประเทศซึ่งอาจมีรายละเอียดเพิ่มเติม

การกำจัดขยะ



อุปกรณ์ไฟฟ้า, แบตเตอรี่แพ็ค/แบตเตอรี่, อุปกรณ์ประกอบ และหีบห่อ ต้องนำไปแยกประเภทวัสดุเพื่อนำกลับมาใช้ใหม่โดยไม่ทำลายสภาพแวดล้อม



อย่าทิ้งอุปกรณ์ไฟฟ้าและแบตเตอรี่แพ็ค/แบตเตอรี่ลงในขยะบ้าน!

แบตเตอรี่แพ็ค/แบตเตอรี่:

ลิเทียม ไอออน:

กรุณาปฏิบัติตามคำแนะนำในบทการขนย้าย (ดู "การขนส่ง", หน้า 88) ที่อยู่ด้านหลังหรือด้านข้างสินค้า

Bahasa Indonesia

Petunjuk Keselamatan



Semua petunjuk harus dibaca dan diperhatikan. Apabila alat ukur tidak digunakan sesuai dengan petunjuk yang disertakan, keamanan alat ukur dapat terganggu. **SIMPAN PETUNJUK INI DENGAN BAIK.**

- ▶ **Perbaiki alat ukur hanya di teknisi ahli resmi dan gunakan hanya suku cadang asli.** Dengan demikian, keselamatan kerja dengan alat ukur ini selalu terjamin.
- ▶ **Jangan mengoperasikan alat ukur di area yang berpotensi meledak yang di dalamnya terdapat cairan, gas, atau serbuk yang dapat terbakar.** Di dalam alat pengukur dapat terjadi bunga api, yang lalu menyulut debu atau uap.
- ▶ **Jangan membuka baterai.** Ada bahaya terjadinya korsleting.

- ▶ **Asap dapat keluar apabila terjadi kerusakan atau penggunaan yang tidak tepat pada baterai. Baterai dapat terbakar atau meledak.** Biarkan udara segar mengalir masuk dan kunjungi dokter apabila mengalami gangguan kesehatan. Asap tersebut dapat mengganggu saluran pernafasan.
- ▶ **Penggunaan yang salah pada baterai atau baterai yang rusak dapat menyebabkan keluarnya cairan yang mudah terbakar dari baterai. Hindari terkena cairan ini. Jika tanpa sengaja terkena cairan ini, segera bilas dengan air. Jika cairan tersebut terkena mata, segera hubungi dokter untuk pertolongan lebih lanjut.** Cairan yang keluar dari baterai dapat menyebabkan iritasi pada kulit atau luka bakar.
- ▶ **Baterai dapat rusak akibat benda-benda lancip, seperti jarum, obeng, atau tekanan keras dari luar.** Hal ini dapat menyebabkan terjadinya hubungan singkat internal dan baterai dapat terbakar, berasap, meledak, atau mengalami panas berlebih.
- ▶ **Jika baterai tidak digunakan, jauhkan baterai dari klip kertas, uang logam, kunci, paku, sekrup, atau benda-benda kecil dari logam lainnya, yang dapat menjembatani kontak-kontak.** Korsleting antara kontak-kontak baterai dapat mengakibatkan kebakaran atau api.
- ▶ **Hanya gunakan baterai pada produk yang dibuat oleh produsen.** Hanya dengan cara ini, baterai dapat terlindung dari kelebihan muatan.
- ▶ **Hanya isi ulang daya baterai menggunakan alat pengisi daya yang dianjurkan oleh produsen.** Alat pengisi daya baterai yang khusus untuk mengisi daya baterai tertentu dapat mengakibatkan kebakaran jika digunakan untuk mengisi daya baterai yang tidak cocok.



Lindungi baterai dari panas, misalnya juga dari paparan sinar matahari dalam waktu yang lama, api, kotoran, air dan kelembapan. Terdapat risiko ledakan dan korsleting.

- ▶ **Karena alasan teknologi, alat pengukur tidak dapat menjamin keamanan 100%. Guna menghindari bahaya, lindungi diri Anda sebelum melakukan pengeboran, penggalian, atau pemotongan frais pada dinding, langit-langit, atau lantai dengan sumber informasi lain seperti rancangan konstruksi, foto dari tahap konstruksi, dll.** Pengaruh lingkungan, seperti kelembapan udara, atau jarak dengan perangkat listrik lain yang menghasilkan medan listrik, magnet, atau elektromagnetik yang kuat, kelembapan, material bangunan yang mengandung logam, material insulasi berlapis aluminium, dan kertas dinding atau ubin yang bersifat konduktif dapat memengaruhi akurasi alat pengukur. Jumlah, jenis, ukuran, dan posisi objek dapat mendistorsi hasil pengukuran.

- ▶ Jika terdapat pipa gas di dalam bangunan, pastikan tidak ada kerusakan pada pipa gas setelah melakukan semua pengerjaan pada dinding, langit-langit atau lantai.
- ▶ Saat memasang objek ke drywall, pastikan dinding atau material pengencang memiliki kapasitas penahan beban yang cukup, terutama saat memasang ke kerangka penyangga.

Petunjuk keselamatan untuk adaptor daya

- ▶ Adaptor daya ini tidak dirancang untuk digunakan oleh anak-anak dan orang dengan keterbatasan fisik, sensorik atau mental atau yang kurang pengalaman dan pengetahuan. Adaptor daya ini dapat digunakan oleh anak-anak dengan usia di atas 8 tahun dan juga orang dengan keterbatasan fisik, sensorik atau mental, atau kurang berpengalaman dan pengetahuan selama di bawah pengawasan orang yang bertanggung jawab atau diberi pengarahan mengenai cara penggunaan adaptor yang aman dan mereka dapat mengerti tentang bahaya yang mungkin terjadi. Jika tidak, hal tersebut dapat menimbulkan risiko kesalahan pengoperasian dan menyebabkan cedera.



Jauhkan adaptor daya dari hujan atau basah. Air yang masuk ke dalam adaptor daya akan meningkatkan risiko terjadinya sengatan listrik.

- ▶ **Jaga kebersihan adaptor daya.** Kondisi adaptor daya yang kotor dapat menimbulkan bahaya sengatan listrik.
- ▶ **Periksa adaptor daya setiap sebelum digunakan. Jangan gunakan adaptor daya jika terlihat adanya kerusakan. Jangan membuka sendiri adaptor daya dan adaptor daya hanya boleh diperbaiki oleh Bosch atau oleh pusat layanan pelanggan resmi dan hanya dengan suku cadang asli.** Adaptor daya yang rusak akan meningkatkan risiko terjadinya sengatan listrik.

Spesifikasi produk dan performa

Perhatikan ilustrasi yang terdapat pada bagian depan panduan pengoperasian.

Tujuan penggunaan

Alat ukur ini cocok untuk mendeteksi logam (logam besi dan logam nonbesi, misalnya baja tulangan), balok kayu, serta kabel yang dialiri arus listrik pada dinding, langit-langit, dan lantai.

Alat ukur ditujukan untuk digunakan di dalam maupun di luar ruangan.

Ilustrasi komponen

Nomor-nomor pada ilustrasi komponen sesuai dengan gambar alat pengukur pada halaman gambar.

- (1) Cincin berpendar
 - (2) Lubang penanda
 - (3) Display
 - (4) Tombol mode pengoperasian logam/listrik
 - (5) Tombol mode pengoperasian kayu
 - (6) Tombol sinyal suara
 - (7) Tombol on/off
 - (8) Permukaan genggam
 - (9) Tas pelindung
 - (10) Kabel USB Type-C^{(a)(b)}
 - (11) Penguncian set baterai li-ion^{a)}
 - (12) Set baterai li-ion^{a)}
 - (13) Soket USB Type-C^(a)
 - (14) Indikator pengisian daya set baterai^{a)}
 - (15) Penguncian penutup kompartemen baterai
 - (16) Penutup kompartemen baterai
 - (17) Area sensor
 - (18) Slider
 - (19) Nomor seri
- a) **Aksesori yang digambarkan atau yang dijelaskan tidak termasuk dalam lingkup pengiriman standar. Semua aksesori yang ada dapat ditemukan dalam program aksesori kami.**
- b) USB Type-C[®] dan USB-C[®] merupakan merek dagang dari USB Implementers Forum.

Elemen indikator (lihat gambar A)

- (a) Indikator titik pusat objek
- (b) Indikator pengukuran
- (c) Indikator status sinyal suara
- (d) Indikator status pengisian daya
- (e) Indikator objek nonlogam

- (f) Indikator kabel yang dialiri arus listrik
- (g) Indikator logam magnetis
- (h) Indikator logam nonmagnetis
- (i) Indikator gangguan radio
- (j) Indikator peringatan
- (k) Indikator monitor suhu

Data teknis

Detektor digital	GMS 120-27
Nomor barang	3 601 K81 7..
Kedalaman pendeteksian maks. ^{A)}	
– Logam nonbesi (tembaga)	120 mm ^{B)}
– Logam besi	100 mm ^{C)}
– Kabel yang dialiri arus listrik 100–230 V (jika tegangan diterapkan)	50 mm ^{D)}
– Balok kayu di dalam drywall	30 mm
Suhu pengoperasian	–10°C ... +50°C
Suhu penyimpanan	–20°C ... +70°C
Rentang frekuensi pengoperasian	50 ± 2 kHz
Kekuatan medan magnet maks. (pada jarak 10 m)	42 dBµA/m
Tinggi penggunaan maks. di atas tinggi acuan	2000 m
Kelembapan relatif maks.	
– Untuk mendeteksi objek	90%
– Untuk mengklasifikasi kabel yang dialiri arus listrik	50%
Tingkat polusi sesuai dengan IEC 61010-1	2 ^{E)}
Suplai daya	
– Set baterai li-ion	3,7 V
– Baterai (mangan alkali)	2 × 1,5 V LR6 (AA)
– Baterai (NiMH)	2 × 1,2 V HR6 (AA)
Durasi pengoperasian sekitar	
– Dengan set baterai li-ion	5 h

Detektor digital	GMS 120-27
- Dengan baterai (mangan alkali)	6 h
- Dengan baterai (NiMH)	7 h
Berat sesuai dengan EPTA-Procedure 01:2014	
- Dengan set baterai li-ion	0,27 kg
- Dengan baterai (mangan alkali)/baterai (NiMH)	0,29 kg
Dimensi (panjang × lebar × tinggi)	186 × 86 × 33 mm
Tingkat perlindungan	IP54
Set baterai li-ion (aksesori)	BA 3.7V 1.0Ah A
Nomor barang	1 607 A35 17H
Nomor barang JP	1 607 A35 0N8
Sambungan pengisian daya	USB Type-C®
Tegangan nominal	3,7 V ⁻⁻⁻
Kapasitas	1,0 Ah
Suhu sekitar yang direkomendasikan saat pengisian daya	+10°C ... +35°C
Suhu sekitar yang direkomendasikan saat pengoperasian dan penyimpanan	-10°C ... +45°C
Adaptor daya (aksesori)	
Tegangan output	5,0 V ⁻⁻⁻
Arus output minimal	500 mA

- A) Tergantung pada material dan ukuran objek serta material dan kondisi di dalam permukaan
- B) Untuk pipa tembaga dengan diameter 15 mm
- C) Untuk besi beton dengan diameter 12 mm
- D) Kedalaman pendeteksian yang lebih rendah pada kabel yang tidak yang dialiri arus listrik
- E) Hanya polusi nonkonduktif yang terjadi, namun terkadang muncul konduktivitas sementara yang disebabkan oleh kondensasi.

Alat pengukur dapat diidentifikasi dengan jelas menggunakan nomor seri **(19)** pada label tipe.

► **Hasil pengukuran dapat menjadi lebih buruk dalam hal akurasi dan kedalaman pendeteksian jika kondisi bagian dalam permukaan tidak menguntungkan.**

Suplai daya alat ukur

Alat pengukur dapat dioperasikan dengan set baterai li-ion **(12)** dari **Bosch**, dengan baterai standar atau dengan baterai NiMH standar.

Catatan: Jangan pernah menyimpan alat pengukur tanpa penutup kompartemen baterai **(16)** yang terpasang atau set baterai li-ion **(12)**, terutama pada kondisi sekitar yang berdebu atau lembap.

Indikator status pengisian daya baterai **(d)** pada display menampilkan level pengisian daya set baterai li-ion **(12)**, baterai standar, atau baterai NiMH.

Pengoperasian dengan set baterai li-ion

Memasang/mengganti set baterai li-ion

Untuk mengganti baterai standar atau baterai NiMH ke set baterai li-ion **(12)**, tekan penguncian **(15)** pada penutup kompartemen baterai. Lepaskan penutup kompartemen baterai **(16)** dan baterai yang terpasang.

Pasang set baterai li-ion **(12)** dan pastikan penguncian **(11)** telah terkunci dengan benar.

Untuk melepaskan set baterai li-ion **(12)**, tekan penguncian **(11)** dan lepaskan set baterai li-ion dari alat pengukur.

Mengisi daya set baterai li-ion

- ▶ **Untuk pengisian daya, hanya gunakan adaptor USB yang memiliki tegangan output dan arus output minimum yang sesuai dengan persyaratan di bab "Data Teknis". Perhatikan panduan pengoperasian adaptor USB.**
- ▶ **Perhatikan tegangan listrik!** Tegangan pada sumber listrik harus sesuai dengan informasi yang tercantum pada label tipe adaptor daya. Adaptor daya bertanda 230 V juga dapat dioperasikan pada 220 V.
- ▶ **Hanya isi daya baterai dengan port USB saat suhu sekitar berkisar antara +10 °C hingga +35 °C.** Mengisi daya di luar rentang suhu dapat merusak baterai atau meningkatkan risiko kebakaran.

Catatan: Baterai lithium-ion dikirim dalam keadaan terisi daya sebagian berdasarkan peraturan transportasi internasional. Untuk menjamin daya penuh dari baterai, isi daya baterai hingga penuh sebelum menggunakannya untuk pertama kali.

Buka penutup soket USB Type-C® **(13)**. Sambungkan soket USB ke adaptor daya USB menggunakan kabel USB **(10)**. Sambungkan adaptor USB ke suplai daya.

Warna indikator pengisian daya (14)	Arti
Kuning	Set baterai li-ion sedang diisi daya.
Hijau	Set baterai li-ion terisi daya penuh.
Merah	Tegangan pengisian daya atau arus pengisian daya tidak sesuai.

Tidak ada pengukuran yang dapat dilakukan selama proses pengisian daya karena seluruh bagian alat pengukur tidak dapat diletakkan di atas permukaan.

Setelah proses pengisian daya selesai, lepaskan kabel USB (10). Tutup penutup soket USB Type-C® (13) untuk memberikan perlindungan dari debu dan percikan air.

Pengoperasian dengan baterai

Untuk mengganti set baterai li-ion (12) ke baterai standar/baterai NiMH, lepaskan set baterai Li-ion (12).

Penggunaan baterai mangan alkali atau baterai NiMH direkomendasikan untuk mengoperasikan alat pengukur.

Pasang baterai.

Pastikan baterai terpasang pada posisi kutub yang benar sesuai gambar di dalam kompartemen baterai.

Pasang penutup kompartemen baterai (16) dan pastikan penutup telah terkunci.

Selalu ganti semua baterai atau baterai isi ulang secara bersamaan. Hanya gunakan baterai atau baterai isi ulang dari produsen dan dengan kapasitas yang sama.

► **Lepaskan baterai dari alat pengukur jika alat pengukur tidak digunakan dalam waktu yang lama.** Jika baterai disimpan di dalam alat pengukur untuk waktu yang lama, baterai dapat mengalami korosi dan dayanya akan habis dengan sendirinya.

Pengoperasian

- **Lindungilah alat ukur dari cairan dan sinar matahari langsung.**
- **Jauhkan alat pengukur dari suhu atau perubahan suhu yang ekstrem. Jika terjadi perubahan suhu yang besar, biarkan alat menyesuaikan suhu lingkungan terlebih dulu sebelum dihidupkan.** Pada suhu atau perubahan suhu yang ekstrem, ketepatan alat pengukur dan tampilan pada display dapat terganggu.
- **Jagalah supaya alat ukur tidak terbentur atau terjatuh.** Sebaiknya lakukan pemeriksaan di pusat layanan resmi **Bosch** setelah alat ukur terkena guncangan atau benturan keras dan saat mengalami kelainan fungsi.

- ▶ Hanya pegang alat pengukur pada area gagang yang disediakan (8) agar tidak mengganggu pengukuran.
- ▶ Jangan menempelkan stiker atau label apa pun di area sensor (17) pada bagian belakang alat pengukur. Terutama label berbahan logam akan memengaruhi hasil pengukuran.



Jangan mengenakan sarung tangan selama pengukuran dan pastikan sistem grounding memadai. Jika sistem grounding tidak memadai, pendeteksian kabel yang dialiri arus listrik dapat terganggu.



Selama pengukuran, hindari area di dekat perangkat yang memancarkan medan listrik, magnet, atau elektromagnetik yang kuat, seperti ponsel, laptop, atau tablet. Jika memungkinkan, nonaktifkan fungsi terkait atau matikan semua perangkat yang radiasinya dapat mengganggu pengukuran.

Pengoperasian awal

Menghidupkan/mematikan

- ▶ Pastikan area sensor (17) tidak lembap sebelum menghidupkan alat pengukur. Jika perlu, lap alat pengukur dengan kain hingga kering.
- ▶ Jika alat pengukur mengalami perubahan suhu yang ekstrem, biarkan alat menyesuaikan suhu lingkungan sebelum dihidupkan.

Untuk menghidupkan alat ukur, tekan tombol on/off (7).

Untuk mematikan alat pengukur, tekan kembali tombol on/off (7).

Jika tidak ada tombol yang ditekan pada alat pengukur selama sekitar 5 menit dan tidak ada objek yang terdeteksi, alat pengukur akan mati secara otomatis.

Mengaktifkan/menonaktifkan sinyal akustik

Gunakan tombol sinyal suara (6) untuk mengaktifkan dan menonaktifkan sinyal suara.

Jika sinyal suara dinonaktifkan, sinyal suara untuk indikator status (c) akan muncul pada display.

Cara kerja (lihat gambar B)

Alat pengukur akan memeriksa bagian bawah dari area sensor (17) pada arah pengukuran A hingga ke kedalaman pendeteksian maksimal.

Setiap pengukuran secara otomatis akan mencari objek logam (misalnya pipa tembaga atau besi beton) dan kabel yang dialiri arus listrik (50–60 Hz). Tombol mode pengoperasian logam/listrik (4) akan menyala sebagai konfirmasi.

Selain itu, tekan tombol mode pengoperasian kayu (5) untuk menemukan kayu di dalam drywall. Fungsi tersebut dikonfirmasi melalui tombol mode pengoperasian kayu (5) yang

menyala. Untuk menonaktifkan pencarian kayu, tekan tombol mode pengoperasian kayu **(5)** atau tombol mode pengoperasian logam/listrik **(4)** sehingga tombol mode pengoperasian kayu **(5)** akan padam.

Catatan: Hanya aktifkan fungsi pencarian kayu untuk melakukan pencarian di dalam drywall dengan substruktur kayu. Permukaan lain dapat memengaruhi hasil pengukuran.

Proses pengukuran (lihat gambar C)

Letakkan alat pengukur di atas permukaan yang akan diperiksa. Cincin berpendar **(1)** menyala untuk menunjukkan bahwa pengukuran siap dilakukan.

Pegang alat pengukur dengan seimbang pada permukaan handalnya **(8)**. Posisi tangan saat menggenggam alat harus stabil selama pengukuran dan jangan pegang khususnya area sensor **(17)**.

Selalu gerakkan alat pengukur dalam garis lurus ke arah **B** di atas permukaan dengan sedikit ditekan tanpa mengangkat atau mengubah gaya tekan. Pergerakan alat pengukur pada dasarnya harus melintang ke arah objek yang dicari. Apabila orientasi objek pada dinding tidak diketahui, lakukan pengukuran silang (lihat gambar C).

Tampilan lokasi:

- Jika tidak ada objek yang ditemukan di bawah area sensor, cincin berpendar **(1)** menyala hijau. Indikator pengukuran **(b)** kosong dan tidak ada sinyal akustik.
- Saat alat pengukur mendekati suatu objek, cincin berpendar **(1)** akan menyala merah. Semakin dekat objek, defleksi pada indikator pengukuran **(b)** akan meningkat dan tempo sinyal suara akan menjadi lebih cepat.
- Di atas titik pusat suatu objek, indikator pengukuran **(b)** menunjukkan defleksi maksimum pada pengukuran, indikator titik pusat objek **(a)** akan menyala dan sinyal suara akan terus berbunyi. Cincin berpendar **(1)** akan terus menyala merah.
- Apabila alat pengukur menjauhi objek, indikator titik pusat objek **(a)** akan padam, defleksi pada indikator pengukuran **(b)** akan berkurang, dan tempo sinyal suara menjadi lebih lambat.

Saat pengoperasian untuk kali pertama, pusat dan batas objek akan ditampilkan secara kasar.





Untuk menentukan lokasi pusat objek secara akurat, gerakkan alat pengukur kembali ke arah objek tanpa perlu mengangkatnya hingga pusat objek kembali ditampilkan (indikator titik pusat objek **(a)** menyala).

Agar batas objek lebih tepat, gerakkan alat pengukur sejajar dengan pusat objek hingga cincin berpendar **(1)** tidak lagi menyala merah.

Lubang penanda **(2)** berada di atas pusat pengukuran. Di sini, pusat atau batas suatu objek dapat ditandai, jika diperlukan.

Catatan: Setelah menandai suatu objek melalui lubang penanda **(2)** (misalnya dengan pena), pengukuran yang baru harus dilakukan karena pengukuran mungkin terpengaruh oleh pena tersebut.

Jenis objek yang ditemukan akan ditampilkan pada display:

-  **(h)** Logam nonmagnetis, misalnya pipa tembaga
-  **(g)** Logam magnetis, misalnya besi tulangan
-  **(f)** Dialiri arus listrik, misalnya kabel listrik
-  **(e)** Nonlogam, misalnya balok kayu

Informasi mengenai lokasi kabel yang dialiri arus listrik

- **Kabel harus dialiri arus listrik.** Oleh karena itu, sambungkan peralatan listrik (misalnya lampu, perangkat) ke saluran listrik yang dicari. Aktifkan peralatan listrik untuk memastikan kabel dialiri arus listrik.
- **Sinyal sebesar 50 hingga 60 Hz pada kabel listrik harus mencapai alat pengukur.** Jika kabel terletak di dalam dinding yang lembap (misalnya kelembapan > 50%), di belakang lapisan logam (misalnya insulasi termal), atau di dalam pipa logam yang kosong, sinyal tidak akan mencapai alat pengukur dan kabel tidak dapat ditemukan.
- **Alat pengukur harus di-grounding dengan baik.** Untuk melakukannya, pegang alat dengan kuat (tanpa sarung tangan) pada permukaan genggam **(8)**. Pastikan alat menyentuh tanah dengan baik. Sepatu, tangga, atau platform berinsulasi dapat menghalangi kontak. Tanah juga harus di-grounding, jika tidak, kabel tersebut tidak dapat ditemukan.
- **Sinyal sebesar 50 hingga 60 Hz dari kabel listrik harus lebih kuat saat melalui kabel daripada melalui objek di sekitarnya.** Jika dinding sangat lembap atau alat di-grounding dengan buruk, seluruh dinding akan memiliki kekuatan sinyal yang sama. Alat pengukur kemudian menunjukkan area yang luas bahwa sinyal telah ditemukan, tapi tidak dapat menemukan lokasi kabel secara tepat. Pada situasi ini, menempelkan satu tangan ke dinding dengan jarak 20–30 cm dari alat pengukur mungkin dapat membantu untuk mengalihkan sinyal dari dinding. Namun posisi tangan tersebut tidak boleh berubah selama proses pengukuran.
- Kabel listrik multifase (dikenal sebagai kabel listrik tiga fase atau arus tinggi) tidak dapat terdeteksi sebagai kabel yang dialiri arus listrik karena sinyal dari berbagai fase akan saling memutus satu sama lain. Kabel listrik multifase dapat dideteksi pada kedalaman yang dangkal tetapi kabel akan terdeteksi sebagai objek logam.

- Permukaan dinding yang konduktif seperti ubin tertentu dapat menyebabkan kabel listrik tidak terdeteksi atau cincin berpendar **(1)** akan menyala merah di area yang luas.
 - Kabel listrik yang diletakkan mendatar (hingga kedalaman maksimum 2–3 cm) juga dapat dideteksi sebagai objek logam. Namun, hal tersebut tidak berlaku untuk kawat kabel stranded.
- **Matikan perangkat listrik dan putuskan kabel yang dialiri arus listrik sebelum melakukan pengeboran, penggergajian atau proses frais pada dinding, langit-langit atau lantai. Setelah melakukan pengerjaan, pastikan objek yang berada di dalam permukaan tidak dialiri arus listrik.**

Petunjuk mengenai indikator objek

- Jika pencarian kayu diaktifkan, objek lain seperti pipa plastik berisi air, kabel listrik, atau pipa gas juga dapat ditampilkan sebagai objek nonlogam. Sebelum melakukan pengeboran, penggergajian, atau pemotongan frais, pastikan objek tersebut benar-benar balok kayu dan bukan benda lain (misalnya pipa plastik, kabel listrik, pipa gas) menggunakan sumber informasi lain.
 - Paku dan sekrup di dalam permukaan dapat menyebabkan balok kayu ditampilkan pada display sebagai objek logam.
 - Benda yang lebih lebar dapat dideteksi pada area yang luas melalui cahaya merah pada cincin berpendar **(1)**. Benda yang lebar mungkin tidak dapat ditampilkan secara keseluruhan.
- **Lindungi diri Anda dari bahaya melalui sumber informasi lain sebelum melakukan pengeboran pada dinding, penggergajian atau proses frais.** Bahaya dapat terjadi meskipun indikator pengukuran **(b)** tidak menunjukkan objek apa pun di area sensor, tidak ada sinyal akustik yang berbunyi, dan cincin yang berpendar **(1)** menyala hijau. Hal ini dikarenakan hasil pengukuran dapat dipengaruhi oleh kondisi lingkungan atau kondisi dinding.

Gangguan – Penyebab dan Solusi

Penyebab

Solusi

Indikator pemantauan suhu (k) dan indikator peringatan (j) menyala, tidak ada pengukuran yang dapat dilakukan

Alat pengukur berada di luar rentang suhu pengoperasian atau mengalami perubahan suhu yang tinggi.

Nonaktifkan alat pengukur dan biarkan menjadi dingin sebelum menghidupkannya kembali. Pengukuran yang tepat hanya dapat dilakukan jika suhu di dalam alat pengukur tetap konstan.

Indikator gangguan radio (i) dan indikator peringatan (j) menyala.

Penyebab	Solusi
Pengukuran dipengaruhi oleh medan listrik, magnet, atau elektromagnetik (misalnya dari ponsel, laptop, atau tablet di dekat alat pengukur).	Jika memungkinkan, nonaktifkan fungsi terkait atau matikan semua perangkat yang radiasinya dapat mengganggu pengukuran.

Indikator peringatan (j) berkedip.

Alat pengukur mengalami gangguan dan tidak berfungsi lagi.	Kirimkan alat pengukur ke layanan pelanggan resmi Bosch .
--	--

Indikator benda logam dan defleksi permanen pada indikator pengukuran (b) meskipun tidak ada objek logam di dekat alat pengukur


Kalibrasi pabrik sudah tidak berlaku lagi (misalnya karena jatuh dari ketinggian).	Lakukan kalibrasi ulang alat pengukur secara manual (lihat „Melakukan kalibrasi ulang alat pengukur“, Halaman 101).
--	---

Cincin berpendar (1) tidak menyala ketika alat diletakkan di atas permukaan.

Permukaan tidak dapat terdeteksi karena area sensor (17) kotor.	Bersihkan alat pengukur dengan kain kering dan lembut dan ulangi pengukuran.
Kontak dinding atau permukaan tidak dapat terdeteksi karena karakter dinding yang khas (misalnya permukaan yang sangat gelap).	Letakkan alat pengukur di atas permukaan. Untuk melakukan pendeteksian dinding secara manual, tekan tombol mode pengoperasian logam/listrik (4) dan tombol mode pengoperasian kayu (5) secara bersamaan (sekitar 3 detik) hingga cincin berpendar (1) menyala dan terdengar sinyal suara. Kemudian, lakukan pengukuran seperti biasanya. Catatan: Sebelum pengukuran berikutnya pada permukaan yang berbeda, pendeteksian dinding secara manual harus kembali diatur ulang. Untuk melakukannya, matikan dan hidupkan kembali alat pengukur.

Melakukan kalibrasi ulang alat pengukur

Jika objek logam ditampilkan dan indikator pengukuran (b) terus-menerus gagal meskipun tidak ada objek logam di dekat alat pengukur, alat pengukur dapat dikalibrasi ulang secara manual.

-  Pastikan indikator level pengisian daya (d) masih menunjukkan minimal 1/3 dari kapasitas baterai.

- Matikan alat pengukur.
- Singkirkan semua objek yang dapat terdeteksi dari sekitar alat pengukur (termasuk jam tangan atau cincin yang terbuat dari logam).
Pegang alat pengukur secara horizontal di udara dengan bagian belakang alat pengukur menghadap ke permukaan tanah.
- Untuk beralih ke mode kalibrasi, tekan tombol on/off **(7)** dan tombol sinyal suara **(6)** secara bersamaan. Tekan dan tahan kedua tombol (sekitar 5–10 detik) hingga cincin berpendar **(1) berkedip** merah.
- Untuk memulai kalibrasi ulang, tekan tombol sinyal suara **(6)** dan tahan (sekitar 5–10 detik) hingga cincin berpendar **(1) menyala** merah.
- Saat kalibrasi berhasil, alat pengukur akan hidup secara otomatis setelah beberapa detik dan siap untuk digunakan kembali.

Catatan: Apabila alat pengukur tidak beroperasi secara otomatis, ulangi proses kalibrasi ulang. Apabila alat pengukur masih tidak dapat beroperasi, bawalah alat pengukur ke layanan pelanggan **Bosch** resmi.

Perawatan dan servis

Perawatan dan pembersihan

- ▶ **Periksa alat ukur sebelum digunakan.** Apabila terdapat kerusakan yang terlihat dengan jelas atau bagian-bagian yang terlepas di dalam alat ukur, keamanan fungsi alat ukur tidak lagi terjamin.

Jagalah supaya alat ukur selalu bersih dan kering supaya alat ukur dapat digunakan dengan baik dan tidak membahayakan.

Jangan memasukkan alat pengukur ke dalam air atau cairan lainnya.

Jika alat ukur kotor, bersihkan alat dengan lap yang kering dan lembut. Jangan gunakan bahan pembersih atau pelarut.

Jangan melepaskan slider **(18)** di bagian belakang alat ukur.

Simpan dan bawalah alat pengukur hanya di dalam kantong pelindung yang telah disertakan.

Layanan pelanggan dan konsultasi penggunaan

Layanan pelanggan Bosch menjawab semua pertanyaan Anda tentang reparasi dan perawatan serta tentang suku cadang produk ini. Gambaran teknis (exploded view) dan informasi mengenai suku cadang dapat ditemukan di: **www.bosch-pt.com**

Tim konsultasi penggunaan Bosch akan membantu Anda menjawab pertanyaan seputar produk kami beserta aksesorinya.

Jika Anda hendak menanyakan sesuatu atau memesan suku cadang, selalu sebutkan nomor model yang terdiri dari 10 angka dan tercantum pada label tipe produk.

Indonesia

PT Robert Bosch Indonesia
Arkadia Green Park Tower G – 7th floor
Jl. Let. Jend. TB. Simatupang Kav.88
Jakarta 12520
Tel.: (021) 3005 5800
Fax: (021) 3005 5801
E-Mail: boschpowertools@id.bosch.com
www.bosch-pt.co.id

Alamat layanan lainnya dapat ditemukan di:

www.bosch-pt.com/serviceaddresses

Transpor

Baterai li-ion yang direkomendasikan tunduk pada persyaratan terkait peraturan tentang bahan-bahan yang berbahaya. Baterai dapat diangkut di jalan oleh penggunaanya tanpa pembatasan lebih lanjut.

Pada pengiriman oleh pihak ketiga (misalnya transportasi udara atau perusahaan ekspedisi) harus ditaati syarat-syarat terkait kemasan dan pemberian tanda. Dalam hal ini, diperlukan konsultasi dengan ahli bahan-bahan berbahaya saat mengatur barang pengiriman.

Kirimkan baterai hanya jika housing-nya tidak rusak. Tutup bagian-bagian yang terbuka dan kemas baterai agar tidak bergerak-gerak di dalam kemasan. Taatilah peraturan-peraturan nasional lainnya yang mungkin lebih rinci yang berlaku di negara Anda.

Cara membuang



Perangkat listrik, baterai, aksesoris dan pembungkus harus disortir untuk pendauran ulang yang ramah lingkungan.



Jangan membuang perangkat listrik atau baterai bersama dengan sampah rumah tangga!

Baterai:

Li-ion:

Harap perhatikan petunjuk-petunjuk dalam bab Transportasi (lihat „Transpor“, Halaman 103).

Tiếng Việt

Hướng dẫn an toàn



Đọc và tuân thủ tất cả các hướng dẫn. Khi sử dụng dụng cụ đo không phù hợp với các hướng dẫn ở trên, các thiết bị bảo vệ được tích hợp trong dụng cụ đo có thể bị suy giảm. **HÃY BẢO QUẢN CÁC HƯỚNG DẪN NÀY MỘT CÁCH CẨN THẬN.**

- ▶ **Chỉ để người có chuyên môn được đào tạo sửa dụng cụ đo và chỉ dùng các phụ tùng gốc để sửa chữa.** Điều này đảm bảo cho sự an toàn của dụng cụ đo được giữ nguyên.
- ▶ **Không làm việc với dụng cụ đo trong môi trường dễ nổ, mà trong đó có chất lỏng, khí ga hoặc bụi dễ cháy.** Các tia lửa có thể hình thành trong dụng cụ đo và có khả năng làm rác cháy hay ngùn khói.
- ▶ **Không được tháo pin ra.** Nguy cơ bị chập mạch.
- ▶ **Trong trường hợp pin bị hỏng hay sử dụng sai cách, hơi nước có thể bốc ra. Pin có thể cháy hoặc nổ.** Hãy làm cho thông thoáng khí và trong trường hợp bị đau phải nhờ y tế chữa trị. Hơi nước có thể gây ngứa hệ hô hấp.
- ▶ **Khi sử dụng sai hoặc khi pin hỏng, dung dịch dễ cháy từ pin có thể tứa ra. Nếu vô tình chạm phải, hãy xối nước để rửa. Nếu dung dịch vào mắt, cần thêm sự hỗ trợ của y tế. Nếu chất lỏng dính vào mắt, yêu cầu ngay sự giúp đỡ của bác sĩ.** Dung dịch tiết ra từ pin có thể gây ngứa hay bỏng.
- ▶ **Pin có thể bị hư hại bởi các vật dụng nhọn như đinh hay tuốc-nơ-vít hoặc bởi các tác động lực từ bên ngoài.** Nó có thể dẫn tới đoản mạch nội bộ và làm pin bị cháy, bốc khói, phát nổ hoặc quá nóng.
- ▶ **Không sử dụng pin, để cách xa các vật bằng kim loại như kẹp giấy, tiền xu, chìa khoá, đinh, ốc vít hay các đồ vật kim loại nhỏ khác, thứ có thể tạo sự nối tiếp từ một đầu cực với một đầu cực khác.** Sự chập mạch của các đầu cực với nhau có thể gây bỏng hay cháy.
- ▶ **Chỉ sử dụng pin trong các sản phẩm của nhà sản xuất.** Chỉ bằng cách này, pin sẽ được bảo vệ tránh nguy cơ quá tải.

- ▶ **Chỉ được sạc pin lại với bộ nạp điện do nhà sản xuất chỉ định.** Một bộ nạp điện thích hợp cho một bộ pin nguồn có thể gây nguy cơ cháy khi sử dụng để nạp điện cho một bộ pin nguồn khác.



Bảo vệ pin không để bị làm nóng, ví dụ, chống để lâu dài dưới ánh nắng gay gắt, lửa, chất bán, nước, và sự ẩm ướt. Có nguy cơ nổ và chập mạch.



- ▶ **Vi lý do công nghệ, mà dụng cụ đo không thể đảm bảo an toàn một trăm phần trăm.** Để loại trừ nguy hiểm, hãy đảm bảo an toàn cho bản thân bằng các nguồn thông tin khác như bản vẽ xây dựng, hình ảnh của giai đoạn xây dựng, v.v., trước khi khoan, cưa hoặc phay tường, trần hoặc sàn. Các ảnh hưởng của môi trường, ví dụ như độ ẩm hoặc ở gần các thiết bị điện khác tạo ra điện trường, từ trường hoặc điện từ trường mạnh, hơi ẩm, vật liệu xây dựng có chứa kim loại, vật liệu cách điện có kim loại nhiều lớp cũng như giấy dán tường dẫn điện hay là các tấm lợp có thể ảnh hưởng đến độ chính xác của dụng cụ đo. Số lượng, chủng loại, kích thước và vị trí của vật thể có thể làm sai lệch kết quả đo.
- ▶ **Nếu có đường ống dẫn khí trong tòa nhà, hãy kiểm tra để đảm bảo đường ống dẫn khí không bị hư hỏng sau khi thực hiện các công việc trên tường, trần hoặc sàn.**
- ▶ **Khí gắn các vật thể vào tường khô, hãy kiểm tra xem tường hoặc đồ chằng buộc có đủ khả năng chịu tải, đặc biệt là khi gắn vào cấu trúc phụ.**

Hướng dẫn an toàn cho phích cắm điện tiếp hợp

- ▶ **Phích cắm điện tiếp hợp này không thiết kế dành cho đối tượng sử dụng là trẻ em và người bị hạn chế về thể chất, khả năng giác quan kém hoặc tâm thần hoặc thiếu kinh nghiệm và thiếu hiểu biết.** Phích cắm điện tiếp hợp này có thể dành cho trẻ em từ 8 tuổi trở lên và người bị hạn chế về thể chất, khả năng giác quan kém hoặc tâm thần hoặc thiếu kinh nghiệm và thiếu hiểu biết sử dụng, chỉ khi họ được một người chịu trách nhiệm cho sự an toàn của họ giám sát hoặc đã được người này hướng dẫn sử dụng keo dán khô trong môi trường an toàn và hiểu được những nguy hiểm có liên quan. Nếu không sẽ có nguy cơ sai sót khi vận hành và gây thương tích.



Không được để phích cắm điện tiếp hợp ngoài mưa hay ở tình trạng ẩm ướt. Nước xâm nhập vào phích cắm điện tiếp hợp sẽ làm tăng nguy cơ điện giật.

- ▶ **Giữ sạch phích cắm điện tiếp hợp.** Có nguy cơ điện giật nếu bị bẩn.
- ▶ **Vui lòng kiểm tra trước khi sử dụng bộ nguồn phích cắm. Không được sử dụng bộ nguồn phích cắm, nếu bạn phát hiện có hư hỏng. Không tự mở bộ nguồn phích cắm và chỉ cho phép Bosch hoặc trung tâm dịch vụ khách hàng được ủy quyền tiến hành sửa chữa với các phụ tùng gốc.** Bộ nguồn phích cắm bị hỏng làm tăng nguy cơ bị điện giật.

Mô Tả Sản Phẩm và Đặc Tính Kỹ Thuật

Xin lưu ý các hình minh hoạt trong phần trước của hướng dẫn vận hành.

Sử dụng đúng cách

Công cụ đo được thiết kế để tìm kiếm kim loại (Kim loại màu và kim loại đen, ví dụ thanh cốt thép), đảm gỗ cung như các cáp dẫn điện trong tường, trần nhà và sàn nhà.

Dụng cụ đo phù hợp để sử dụng trong vùng bên ngoài và bên trong.

Các bộ phận được minh họa

Sự đánh số các biểu trưng của sản phẩm là để tham khảo hình minh họa dụng cụ đo trên trang hình ảnh.

- (1) Vòng chiếu sáng
- (2) Lỗ đánh dấu
- (3) Hiển thị
- (4) Nút kim loại/dòng điện
- (5) Nút Gỗ
- (6) Nút âm tín hiệu
- (7) Phím Bật/tắt
- (8) Bề mặt nắm
- (9) Túi xách bảo vệ
- (10) Cáp USB Type-C^{®(a)(b)}

- (11) Khóa bộ pin Li-ion^{a)}
 - (12) Bộ pin Li-ion^{a)}
 - (13) Ổ cắm USB Type-C^{®a)}
 - (14) Hiển thị sạc của bộ pin^{a)}
 - (15) Lấy cài nắp đậy pin
 - (16) Nắp đậy pin
 - (17) Vùng cảm biến
 - (18) Con trượt
 - (19) Mã seri sản xuất
- a) Phụ tùng được trình bày hay mô tả không phải là một phần của tiêu chuẩn hàng hóa được giao kèm theo sản phẩm. Bạn có thể tham khảo tổng thể các loại phụ tùng, phụ kiện trong chương trình phụ tùng của chúng tôi.
- b) USB Type-C[®] và USB-C[®] là các thương hiệu của "USB Implementers Forum".

Các phân tử hiển thị (xem hình A)

- (a) Hiển thị tâm vật thể
- (b) Hiển thị đo
- (c) Hiển thị trạng thái Âm tín hiệu
- (d) Bộ Chỉ Báo Tình Trạng Pin
- (e) Hiển thị vật thể không phải là kim loại
- (f) Hiển thị các đường dây dẫn điện
- (g) Hiển thị kim loại từ tính
- (h) Hiển thị kim loại không từ tính
- (i) Hiển thị nhiễu sóng vô tuyến
- (j) Hiển thị cảnh báo
- (k) Hiển thị giám sát nhiệt độ

Thông số kỹ thuật

Thiết bị định vị kỹ thuật số	GMS 120-27
Mã số máy	3 601 K81 7..
Độ sâu dò tối đa ^{A)}	
– Kim loại màu (Đồng)	120 mm ^{B)}
– Kim loại đen	100 mm ^{C)}

Thiết bị định vị kỹ thuật số	GMS 120-27
– Đường dây dẫn điện 100–230 V (khi điện áp được áp dụng)	50 mm ^{D)}
– Dầm gỗ trong tường khô	30 mm
Nhiệt độ hoạt động	–10 °C ... +50 °C
Nhiệt độ lưu kho	–20 °C ... +70 °C
Dải tần số hoạt động	50 ± 2 kHz
Cường độ từ trường tối đa (ở 10 m)	42 dBµA/m
Chiều cao ứng dụng tối đa qua chiều cao tham chiếu	2000 m
Độ ẩm không khí tương đối tối đa.	
– Để nhận diện vật thể	90 %
– Để phân loại cáp dẫn điện	50 %
Mức độ bền theo IEC 61010-1	2 ^{E)}
Nguồn cung năng lượng	
– Bộ pin Li-ion	3,7 V
– Pin (kiềm-mangan)	2 × 1,5 V LR6 (AA)
– Pin (NiMH)	2 × 1,2 V HR6 (AA)
Thời gian vận hành khoảng.	
– Với bộ pin Li-ion	5 h
– Với pin (kiềm-mangan)	6 h
– Với pin (NiMH)	7 h
Trọng lượng theo Quy trình EPTA-Procedure 01:2014	
– Với bộ pin Li-ion	0,27 kg
– Có ắc quy (Kiềm Mangan/pin (NiMH)	0,29 kg
Kích thước (chiều dài × rộng × cao)	186 × 86 × 33 mm
Mức độ bảo vệ	IP54
Bộ pin Li-ion (Phụ kiện)	BA 3.7V 1.0Ah A
Mã số máy	1 607 A35 17H
Mã hàng JP	1 607 A35 0N8
Cổng sạc	USB Type-C®

Thiết bị định vị kỹ thuật số	GMS 120-27
Điện thế danh định	3,7 V [≡]
Điện dung	1,0 Ah
Nhiệt độ môi trường được khuyến nghị khi sạc	+10 °C ... +35 °C
Nhiệt độ môi trường được khuyến nghị trong quá trình vận hành và trong quá trình lưu trữ	-10 °C ... +45 °C
Nguồn điện thích cấm (Phụ kiện)	
Điện áp ra	5,0 V [≡]
Dòng điện đầu ra tối thiểu	500 mA

- A) Tùy thuộc vào vật liệu và kích thước của các vật thể, vật liệu và tình trạng của nền
- B) Ổ đồng có đường kính 15 mm
- C) Ổ thép gia cố có đường kính 12 mm
- D) độ sâu dò thấp hơn ở các đường dây không dẫn điện
- E) Chỉ có chất bán không dẫn xuất hiện, nhưng đôi khi độ dẫn điện tạm thời gây ra do ngưng tụ.

Số xêri (19) đều được ghi trên nhãn mác, để dễ dàng nhận dạng loại máy đo.

► **Kết quả đo có thể kém hơn về độ chính xác và độ sâu dò khi chất lượng nền không phù hợp.**

Nuốn năng lượng cho dụng cụ đo

Dụng cụ đo có thể hoạt động bằng **Bosch** bộ pin Li-ion (12), ắc quy thông thường hay với pin NiMH thông thường.

Lưu ý: Cất giữ dụng cụ đo mà không có nắp đậy pin được lắp (16) hoặc bộ pin Li-ion (12), đặc biệt là trong môi trường xung quanh bụi hoặc ẩm.

Hiện thị mức sạc (d) trong màn hình cho biết mức sạc của bộ pin Li-ion (12), ắc quy hoặc pin NiMH.

Vận hàng bằng bộ pin Li-ion

Lắp/thay bộ pin Li-ion

Để chuyển từ ắc quy hoặc pin NiMH sang bộ pin Li-ion (12) hãy ấn vào lẫy cài (15) của nắp đậy pin. Lấy nắp đậy pin (16) và ắc quy hoặc pin được lắp ra.

Hãy lắp bộ pin Li-ion (12) và khớp khóa giữ (11) vào.

Để tháo bộ pin Li-ion (12) hãy ấn khóa giữ (11) và lấy bộ pin Li-ion ra khỏi dụng cụ đo.

Sạc bộ pin Li-ion

- ▶ **Chỉ sử dụng bộ nguồn USB để sạc, mà điện áp đầu ra và dòng điện đầu ra tối thiểu theo yêu cầu trong chương "Thông số kỹ thuật".**
Lưu ý hướng dẫn vận hành của bộ nguồn USB.
- ▶ **Tuân thủ theo đúng điện thế!** Điện thế nguồn phải đúng với điện thế đã ghi rõ trên nhãn thông số của phích cắm điện tiếp hợp. Phích cắm điện tiếp hợp được ghi 230 V cũng có thể được vận hành ở 220 V.
- ▶ **Chỉ sạc pin bằng cổng USB khi nhiệt độ xung quanh trong khoảng +10 °C và +35 °C.** Việc sạc ngoài khoảng nhiệt độ có thể gây hỏng pin hoặc tăng nguy cơ cháy.

Hướng dẫn: Pin Lithium-ion được giao một phần do các quy định vận tải quốc tế. Để bảo đảm đầy đủ điện dung, nạp điện hoàn toàn lại cho pin trước khi sử dụng cho lần đầu tiên.

Mở nắp ổ cắm USB Type-C® (13). Kết nối ổ cắm USB với một bộ nguồn USB bằng cáp USB (10). Kết nối bộ nguồn USB với nguồn điện chính.

Màu hiển thị sạc (14)	Ý nghĩa
Màu vàng	Bộ pin Li-ion được sạc.
Màu xanh lá	Bộ pin Li-ion được sạc đầy.
Màu đỏ	Điện áp sạc hoặc dòng điện sạc không phù hợp.

Không thể thực hiện phép đo nào trong quá trình sạc vì không thể đặt dụng cụ đo hoàn toàn trên bề mặt.

Hãy tháo cáp USB sau khi kết thúc quá trình sạc (10). Hãy đóng nắp của ổ cắm USB Type-C® (13) để bảo vệ khỏi bụi và nước phun.

Hoạt động bằng ắc quy/pin

Để chuyển từ bộ pin Li-ion (12) sang ắc quy/pin NiMH hãy tháo bộ pin Li-ion (12).

Khuyến nghị sử dụng các pin kiềm mangan hoặc pin NiMH để vận hành dụng cụ đo.

Lắp pin/pin nạp lại được.

Xin hãy lưu ý lắp tương ứng đúng cực pin như được thể hiện mặt trong ngăn chứa pin.

Lắp nắp đáy pin (16) và khớp vào.

Luôn luôn thay pin/pin nạp lại được cùng một thời điểm. Không được sử dụng pin/pin nạp lại được khác thương hiệu hay khác loại cùng chung với nhau.

- ▶ **Tháo ắc quy hoặc pin ra khỏi dụng cụ đo nếu bạn không muốn sử dụng thiết bị trong thời gian dài.** Pin và ắc quy có thể hư mòn sau thời gian bảo quản lâu trong dụng cụ đo và tự xả điện.

Vận Hành

- ▶ **Bảo vệ dụng cụ đo tránh khỏi ẩm ướt và không để bức xạ mặt trời chiếu trực tiếp vào.**
- ▶ **Không cho dụng cụ đo tiếp xúc với nhiệt độ khắc nghiệt hoặc dao động nhiệt độ.** Điều chỉnh nhiệt độ khi có sự dao động nhiệt độ lớn, trước khi bạn bật nó. Trong trường hợp ở trạng thái nhiệt độ cực độ hay nhiệt độ thay đổi thái quá, sự chính xác của dụng cụ đo và hiển thị trong màn hình có thể bị ảnh hưởng.
- ▶ **Tránh va chạm mạnh hoặc làm rơi dụng cụ đo.** Sau khi chịu những tác động bên ngoài nặng nề và có các bất thường về chức năng, bạn nên kiểm tra dụng cụ đo tại trung tâm dịch vụ có thẩm quyền của Bosch.
- ▶ **Chỉ cầm dụng cụ đo ở tay cầm đã được thiết kế cho nó (8) để không làm ảnh hưởng đến phép đo.**
- ▶ **Không gắn nhãn dán hoặc biển báo trong vùng cảm biến (17) ở mặt sau của dụng cụ đo.** Đặc biệt biển báo kim loại sẽ ảnh hưởng đến kết quả đo.



Không đeo găng tay trong quá trình đo và đảm bảo tiếp đất đầy đủ. Nếu tiếp đất không đủ, khả năng nhận điện đường dây dẫn điện có thể bị ảnh hưởng.



Hãy tránh ở gần các thiết bị tạo ra điện trường, từ trường hoặc điện từ trường mạnh trong khi đo, ví dụ như điện thoại di động, Laptop hoặc máy tính bảng. Nếu có thể, hãy bỏ chức năng tương ứng cho tất cả các thiết bị có bức xạ gây ảnh hưởng đến phép đo hoặc tắt các thiết bị.

Bắt Đầu Vận Hành

Bật Mở và Tắt

- ▶ **Trước khi bật dụng cụ đo hãy đảm bảo rằng vùng cảm biến (17) không bị ẩm.** Nếu cần thiết, hãy lau khô dụng cụ đo bằng vải.

► **Nếu dụng cụ đo bị thay đổi mạnh về nhiệt độ, hãy điều chỉnh nhiệt độ trước khi bật lên.**

Để **bật** dụng cụ đo, bạn hãy ấn phím **bật/tắt (7)**.

Để **Tắt** dụng cụ đo, bạn hãy ấn lại phím **bật/tắt (7)**.

Nếu trong khoảng **5** phút không có nút nào trên dụng cụ đo được bấm và không vật thể nào được phát hiện, dụng cụ đo sẽ tự động tắt.

Chuyển đổi tắt/mở tín hiệu âm thanh

Bằng phím âm tín hiệu **(6)** bạn có thể tắt và bật âm tín hiệu. Khi tắt âm báo hiệu, hiển thị trạng thái âm báo **(c)** sẽ xuất hiện trên màn hình.

Cách thức hoạt động (xem hình B)

Với dụng cụ đo có mặt nền của phạm vi cảm biến **(17)** được kiểm tra theo hướng đo **A** cho đến độ sâu phát hiện tối đa.

Khi đo, các vật kim loại (ví dụ: ống đồng hoặc thép gia cố) và cáp dẫn điện (50–60 Hz) sẽ được dò tìm. Để xác nhận, nút **Kim loại/dòng điện sáng lên (4)**.

Để tìm gỗ trong tường khô, nhấn nút **Gỗ (5)**. Chức năng được xác nhận khi nút **Gỗ (5)** sáng lên. Để tắt tìm kiếm gỗ, nhấn nút **Gỗ (5)** hoặc nút **Kim loại/dòng điện (4)**, để nút **Gỗ (5)** sáng lên.

Lưu ý: Chỉ bật chức năng tìm kiếm gỗ để tìm kiếm tường khô cao có kết cấu phụ bằng gỗ. Kết quả đo có thể bị ảnh hưởng trên các bề mặt khác.

Quy trình đo (xem Hình C)

Hãy đặt dụng cụ đo lên bề mặt cần kiểm tra. Vòng chiếu sáng **(1)** sáng lên để hiển thị sẵn sàng đo.

Giữ chặt dụng cụ đo không đổi bằng bề mặt nắm **(8)**. Không thay đổi tay cầm trong quá trình đo và đặc biệt không với vào khu vực cảm biến **(17)**.

Luôn di chuyển thẳng dụng cụ đo theo hướng **B** với áp lực nhẹ trên nền không cần nâng hoặc thay đổi áp suất tiếp xúc. Chuyển động của dụng cụ đo về cơ bản phải theo chiều ngang so với đối tượng được tìm kiếm. Nếu bạn không biết căn chỉnh vật thể trên tường thì hãy thực hiện phép đo chéo (xem hình C).

Hiển thị định vị:

- Nếu không tìm thấy vật thể bên dưới vùng cảm biến, vòng chiếu sáng **(1)** sáng màu xanh lá. Hiển thị đo **(b)** trống và không có âm tín hiệu phát ra.
- Nếu dụng cụ đo ở gần vật thể, thì vòng chiếu sáng **(1)** sáng đỏ. Khi bạn đến gần hơn, độ vông trong hiển thị đo **(b)** tăng lên và tần số của âm tín hiệu trở nên nhanh hơn.

- Phía trên tâm của vật thể, hiển thị đo **(b)** sẽ chỉ báo độ võng tối đa của phép đo, hiển thị tâm vật thể **(a)** sáng lên và một âm liên tục phát ra. Vòng chiếu sáng **(1)** vẫn sáng đỏ.
- Khi dụng cụ đo cách xa vật thể, thì hiển thị tâm vật thể sẽ tắt **(a)**, độ võng trong hiển thị đo **(b)** giảm và tần số của âm tín hiệu trở nên chậm hơn.

Khi vật thể được đưa qua lần đầu tiên, tâm và ranh giới của vật thể được hiển thị toàn bộ.


Để xác định chính xác tâm của vật thể, hãy di chuyển dụng cụ đo về phía vật thể mà không nhấc nó lên cho đến khi tâm vật thể được hiển thị lại (hiển thị tâm vật thể **(a)** sáng lên).


Để biết ranh giới chính xác hơn của vật thể, hãy di chuyển dụng cụ đo theo đường thẳng từ tâm vật thể cho đến khi vòng chiếu sáng **(1)** không còn sáng màu đỏ nữa.

Lỗ đánh dấu **(2)** nằm phía trên trọng tâm đo. Tại đây bạn có thể đánh dấu tâm hoặc ranh giới của một vật thể nếu cần.


Lưu ý: Sau khi đánh dấu một vật thể qua lỗ đánh dấu **(2)** (ví dụ bằng chân cầm) bạn phải khởi động một phép đo mới, vì phép đo có thể bị ảnh hưởng do chân cầm.

Loại vật thể đã tìm được hiển thị trong màn hình:

 **(h)** Không phải kim loại từ tính, ví dụ ống đồng

 **(g)** Kim loại từ tính, ví dụ thanh cốt thép

 **(f)** Dẫn điện, ví dụ dây điện

 **(e)** Không phải kim loại, ví dụ dầm gỗ

Lưu ý về định vị cáp dẫn điện

- **Đường dây phải dẫn điện.** Do đó, hãy kết nối các thiết bị tiêu thụ điện (ví dụ: đèn, thiết bị) với đường dây điện được tìm kiếm. Hãy bật thiết bị tiêu thụ điện để đảm bảo đường dây điện mang điện áp.
- **Dụng cụ đo phải đạt tín hiệu 50 đến 60 Hz của đường dây điện.** Nếu đường dây ở trong tường ẩm ướt (ví dụ: độ ẩm > 50 %), phía sau lá kim loại (ví dụ: lớp cách nhiệt) hoặc trong ống rỗng bằng kim loại, thì tín hiệu sẽ không đến được dụng cụ đo và không thể tìm thấy đường dây.

- **Dụng cụ đo phải được nối đất tốt.** Muốn vậy, hãy giữ chặt (không có Găng tay) tại bề mặt nằm (8). Đảm bảo bạn có sự tiếp xúc tốt với sàn. Giày, thang hoặc bề cách điện có thể cản trở sự tiếp xúc. Sàn cũng phải được nối đất, nếu không thì không thể xác định được đường dây.
 - **Tín hiệu 50 đến 60 Hz của đường dây điện phải mạnh hơn ở phía trên đường dây so với vùng xung quanh.** Nếu tường quá ẩm hoặc nối đất kém, tín hiệu sẽ mạnh như nhau trên toàn bộ bức tường. Sau đó, dụng cụ đo sẽ cho biết tín hiệu được tìm thấy trên một vùng rộng lớn, nhưng không thể xác định chính xác đường dây.
Trong trường hợp này, có thể hữu ích khi giữ tay còn lại của bạn dựa vào tường ở khoảng cách 20–30 cm so với dụng cụ đo để chuyển hướng tín hiệu khỏi tường. Tuy nhiên, vị trí của tay còn lại không được thay đổi trong quá trình đo.
 - Không thể định vị đường dây điện nhiều pha (được gọi là dòng điện xoay chiều hoặc dòng điện mạnh) dưới dạng đường dây dẫn điện, vì tín hiệu từ các pha khác nhau triệt tiêu lẫn nhau. Nhưng bạn có thể định vị các đường dây điện nhiều pha ở độ sâu thấp dưới dạng vật thể kim loại.
 - Các bề mặt tường dẫn điện, ví dụ như một số loại gạch lát, có thể khiến đường dây điện không được hiển thị hoặc vòng chiếu sáng (1) phát sáng màu đỏ trên một khu vực rộng lớn.
 - Các đường dây điện nằm phẳng (độ sâu tối đa 2–3 cm) cũng có thể được hiển thị dưới dạng vật kim loại. Tuy nhiên, điều này không áp dụng cho cáp xoắn.
- ▶ **Tắt thiết bị tiêu thụ điện và ngắt đường dây dẫn điện trước khi khoan, cửa hoặc phay tường, trần nhà hoặc sàn nhà. Sau khi thực hiện tất cả các công việc, hãy đảm bảo vật thể bám trên nền không còn dẫn điện.**

Lưu ý về hiển thị vật thể

- Nếu tìm kiếm gỗ được bật, các vật thể khác như ống nhựa chứa đầy nước, dây cáp điện hoặc ống dẫn khí cũng có thể được hiển thị dưới dạng vật thể phi kim loại. Trước khi khoan, cửa hoặc phay, hãy kiểm tra bằng cách sử dụng các nguồn thông tin khác xem đó có thực sự là một thanh gỗ chứ không phải vật thể khác (ví dụ: ống nhựa, cáp điện, ống dẫn khí).
- Đinh và vít ở nền có thể khiến dầm gỗ được hiển thị dưới dạng vật thể kim loại trong màn hình.

- Có thể nhận biết các vật thể rộng hơn trên một khu vực rộng nhờ ánh sáng đỏ của vòng chiếu sáng (1). Các vật thể rộng có thể không được hiển thị toàn bộ.

► **Trước khi khoan, cưa hoặc phay tường, bạn cần bảo vệ bản thân khỏi nguy hiểm bằng các nguồn thông tin khác.** Vì kết quả đo có thể bị ảnh hưởng bởi ảnh hưởng của môi trường hoặc chất lượng bức tường, mà có thể xuất hiện nguy hiểm mặc dù hiển thị đo (b) không hiển thị vật thể trong vùng cảm biến, âm tín hiệu không phát ra và vòng chiếu sáng (1) sáng xanh lá.

Lỗi – Nguyên nhân và biện pháp khắc phục

Nguyên nhân	Biện pháp khắc phục
Hiển thị giám sát nhiệt độ (k) và hiển thị cảnh báo (j) sáng, không thể đo	
Dụng cụ đo ở ngoài khoảng nhiệt độ hoạt động hoặc đã chịu sự dao động nhiệt độ mạnh.	Tắt dụng cụ đo và để nó nguội trước khi bật lại. Chỉ có thể đo chính xác nếu nhiệt độ bên trong dụng cụ đo không đổi.
Hiển thị nhiều sóng vô tuyến (i) và hiển thị cảnh báo (j) sáng lên.	
Phép đo bị ảnh hưởng bởi điện trường, từ trường hoặc điện từ (ví dụ: từ điện thoại di động, máy tính xách tay hoặc máy tính bảng ở gần dụng cụ đo).	Nếu có thể, hãy bỏ kích hoạt các chức năng tương ứng cho tất cả các thiết bị có bức xạ gây ảnh hưởng đến phép đo hoặc tắt các thiết bị.
Hiển thị cảnh báo (j) nhấp nháy.	
Dụng cụ đo có trục trặc và không còn hoạt động.	Hãy gửi dụng cụ đo đến trung tâm dịch vụ khách hàng được ủy quyền của Bosch .
Hiển thị vật kim loại và độ võng cố định của hiển thị đo (b), mặc dù không có vật kim loại nào ở gần dụng cụ đo	
Việc hiệu chuẩn tại xưởng không còn hiệu lực (ví dụ: do rơi từ độ cao lớn).	Hiệu chỉnh lại dụng cụ đo theo cách thủ công (xem „Hiệu chỉnh lại dụng cụ đo“, Trang 116).
Vòng chiếu sáng (1) chiếu sáng khi lắp trên nền.	
Không thể nhận diện nền, vì vùng cảm biến (17) bị bẩn.	Hãy lau sạch dụng cụ đo bằng vải mềm khô và khởi động lại phép đo.

Nguyên nhân

Không vật thể nhận dạng được điểm tiếp xúc với tường hoặc nền do đặc tính đặc biệt của tường (ví dụ: bề mặt rất tối).


Biện pháp khắc phục

Hãy đặt dụng cụ đo trên nền. Để nhận diện tường thủ công, nhấn nút Kim loại/dòng điện (4) và gỗ (5) đồng thời (khoảng 3 s), đến khi vòng chiếu sáng (1) chiếu sáng và âm tín hiệu phát ra. Sau đó, đo như bình thường.

Lưu ý: Trước phép đo tiếp theo trên một nền khác, bạn phải thiết lập lại nhận diện tường thủ công. Hãy tắt dụng cụ đo và bật lại.

Hiệu chỉnh lại dụng cụ đo

Nếu vật thể kim loại được hiển thị và hiển thị đo (b) liên tục hiển thị độ vòng, mặc dù không có vật kim loại nào gần dụng cụ đo, bạn có thể hiệu chỉnh lại dụng cụ đo bằng tay.

-  Đảm bảo hiển thị mức sạc (d) còn hiển thị tối thiểu 1/3 dung lượng.
- Tắt dụng cụ đo.
- Loại bỏ tất cả các vật thể có thể được hiển thị khỏi vùng gần dụng cụ đo (kể cả đồng hồ đeo tay hoặc nhẫn kim loại).
- Giữ dụng cụ đo nằm ngang trong không khí sao cho mặt sau của dụng cụ đo hướng xuống đất.
- Để chuyển sang chế độ hiệu chỉnh, hãy nhấn đồng thời nút bật/tắt (7) cũng như nút âm tín hiệu (6). Nhấn giữ cả hai nút (khoảng 5–10 s), cho đến khi vòng chiếu sáng nhấp nháy (1) đỏ .
- Để khởi động hiệu chỉnh lại, nhấn nút âm tín hiệu (6) và giữ (khoảng 5–10 s), cho đến khi vòng chiếu sáng (1) sẽ sáng màu đỏ .
- Nếu hiệu chỉnh thành công, dụng cụ đo sẽ tự động khởi động sau vài giây và sẵn sàng hoạt động trở lại.

Hướng dẫn: Nếu dụng cụ đo không khởi động tự động, hãy lặp lại hiệu chỉnh lại. Nếu dụng cụ đo không khởi động, hãy gửi dụng cụ đo đến trung tâm dịch vụ khách hàng được ủy quyền **Bosch**.

Bảo Dưỡng và Bảo Quản

Bảo Dưỡng Và Làm Sạch

► **Xin hãy kiểm tra dụng cụ đo trước mỗi lần sử dụng.** Khi có hư hại thấy rõ hoặc bộ phận lỏng bên trong dụng cụ đo, chức năng an toàn sẽ không được bảo đảm.

Luôn luôn bảo quản dụng cụ đo được sạch sẽ và khô ráo để bảo đảm sự hoạt động được an toàn và đúng cách thức.

Không được nhúng dụng cụ đo vào trong nước hay các chất lỏng khác.

Lau sạch các mảnh vụn hay chất bẩn bằng vải khô và mềm. Không được sử dụng chất tẩy rửa.

Không tháo con trượt (18) ở mặt sau của dụng cụ đo.

Chỉ được cất giữ và vận chuyển dụng cụ đo trong túi xách bảo vệ được giao kèm.

Dịch vụ hỗ trợ khách hàng và tư vấn sử dụng

Bộ phận phục vụ hàng sau khi bán của chúng tôi trả lời các câu hỏi liên quan đến việc bảo dưỡng và sửa chữa các sản phẩm cũng như phụ tùng thay thế của bạn. Sơ đồ mô tả và thông tin về phụ tùng thay thế cũng có thể tra cứu theo dưới đây: **www.bosch-pt.com**

Đội ngũ tư vấn sử dụng của Bosch sẽ giúp bạn giải đáp các thắc mắc về sản phẩm và phụ kiện.

Trong tất cả các phản hồi và đơn đặt phụ tùng, xin vui lòng luôn luôn nhập số hàng hóa 10 chữ số theo nhãn của hàng hóa.

Việt Nam

CN CÔNG TY TNHH BOSCH VIỆT NAM TẠI TP.HCM

Tầng 14, Ngôi Nhà Đức, 33 Lê Duẩn

Phường Bến Nghé, Quận 1, Thành Phố Hồ Chí Minh

Tel.: (028) 6258 3690

Fax: (028) 6258 3692 - 6258 3694

Hotline: (028) 6250 8555

Email: tuvankhachhang-pt@vn.bosch.com

www.bosch-pt.com.vn

www.baohanhbosch-pt.com.vn

Xem thêm địa chỉ dịch vụ tại:

www.bosch-pt.com/serviceaddresses

Vận chuyển

Pin Li-Ion được khuyến nghị là đối tượng phải tuân theo các quy định của Pháp Luật về Hàng Hóa Nguy Hiểm. Người sử dụng có thể vận chuyển pin hợp khối bằng đường bộ mà không cần thêm yêu cầu nào khác.

Khi được vận chuyển thông qua bên thứ ba (vd. vận chuyển bằng đường hàng không hay đại lý giao nhận), phải tuân theo các yêu cầu đặc biệt về đóng gói và dán nhãn. Phải tham vấn chuyên gia về hàng hóa nguy hiểm khi chuẩn bị gói hàng.

Chỉ gửi pin hợp khối khi vỏ ngoài không bị hư hỏng. Dán băng keo hay che kín các điểm tiếp xúc hở và đóng gói pin hợp khối theo cách sao cho pin không thể xô dịch khi nằm trong bao bì. Ngoài ra, xin vui lòng chấp hành các qui định chi tiết có thể được bổ sung thêm của quốc gia.

Sự thải bỏ



Các thiết bị điện, ắcqui/pin, phụ kiện và bao bì cần được tái sử dụng theo quy định về môi trường.



Không vứt thiết bị điện và pin/ắc quy cùng trong rác thải của gia đình!

Pin/ắc quy:

Li-Ion:

Tuân thủ những hướng dẫn trong phần vận chuyển (xem „Vận chuyển“, Trang 118).

Licenses

Copyright © 2009–2013 ARM LIMITED

All rights reserved.

Redistribution and use in source and binary forms, with or without modification, are permitted provided that the following conditions are met:

- Redistributions of source code must retain the above copyright notice, this list of conditions and the following disclaimer.
- Redistributions in binary form must reproduce the above copyright notice, this list of conditions and the following disclaimer in the documentation and/or other materials provided with the distribution.
- Neither the name of ARM nor the names of its contributors may be used to endorse or promote products derived from this software without specific prior written permission.

THIS SOFTWARE IS PROVIDED BY THE COPYRIGHT HOLDERS AND CONTRIBUTORS "AS IS" AND ANY EXPRESS OR IMPLIED WARRANTIES, INCLUDING, BUT NOT LIMITED TO, THE IMPLIED WARRANTIES OF MERCHANTABILITY AND FITNESS FOR A PARTICULAR PURPOSE ARE DISCLAIMED. IN NO EVENT SHALL THE COPYRIGHT HOLDERS AND CONTRIBUTORS BE LIABLE FOR ANY DIRECT, INDIRECT, INCIDENTAL, SPECIAL, EXEMPLARY, OR CONSEQUENTIAL DAMAGES (INCLUDING, BUT NOT LIMITED TO, PROCUREMENT OF SUBSTITUTE GOODS OR SERVICES; LOSS OF USE, DATA, OR PROFITS; OR BUSINESS INTERRUPTION) HOWEVER CAUSED AND ON ANY THEORY OF LIABILITY, WHETHER IN CONTRACT, STRICT LIABILITY, OR TORT (INCLUDING NEGLIGENCE OR OTHERWISE) ARISING IN ANY WAY OUT OF THE USE OF THIS SOFTWARE, EVEN IF ADVISED OF THE POSSIBILITY OF SUCH DAMAGE.

Copyright © 2016–2020 STMicroelectronics

All rights reserved.

Redistribution and use in source and binary forms, with or without modification, are permitted provided that the following conditions are met:

- Redistributions of source code must retain the above copyright notice, this list of conditions and the following disclaimer.

- Redistributions in binary form must reproduce the above copyright notice, this list of conditions and the following disclaimer in the documentation and/or other materials provided with the distribution.
- Neither the name of the copyright holder nor the names of its contributors may be used to endorse or promote products derived from this software without specific prior written permission.

THIS SOFTWARE IS PROVIDED BY THE COPYRIGHT HOLDERS AND CONTRIBUTORS "AS IS" AND ANY EXPRESS OR IMPLIED WARRANTIES, INCLUDING, BUT NOT LIMITED TO, THE IMPLIED WARRANTIES OF MERCHANTABILITY AND FITNESS FOR A PARTICULAR PURPOSE ARE DISCLAIMED. IN NO EVENT SHALL THE COPYRIGHT HOLDER OR CONTRIBUTORS BE LIABLE FOR ANY DIRECT, INDIRECT, INCIDENTAL, SPECIAL, EXEMPLARY, OR CONSEQUENTIAL DAMAGES (INCLUDING, BUT NOT LIMITED TO, PROCUREMENT OF SUBSTITUTE GOODS OR SERVICES; LOSS OF USE, DATA, OR PROFITS; OR BUSINESS INTERRUPTION) HOWEVER CAUSED AND ON ANY THEORY OF LIABILITY, WHETHER IN CONTRACT, STRICT LIABILITY, OR TORT (INCLUDING NEGLIGENCE OR OTHERWISE) ARISING IN ANY WAY OUT OF THE USE OF THIS SOFTWARE, EVEN IF ADVISED OF THE POSSIBILITY OF SUCH DAMAGE.

Apache 2.0 License

Copyright © 2009-2020 Arm Limited. All rights reserved.

Version 2.0, January 2004

<http://www.apache.org/licenses/>

TERMS AND CONDITIONS FOR USE, REPRODUCTION, AND DISTRIBUTION

1. Definitions.

"License" shall mean the terms and conditions for use, reproduction, and distribution as defined by Sections 1 through 9 of this document.

"Licensor" shall mean the copyright owner or entity authorized by the copyright owner that is granting the License.

"Legal Entity" shall mean the union of the acting entity and all other entities that control, are controlled by, or are under common control with that entity. For the purposes of this definition, **"control"** means (i) the power, direct or indirect, to cause the direction or management of such entity, whether by contract or otherwise, or (ii) ownership of fifty percent (50%) or more of the outstanding shares, or (iii) beneficial ownership of such entity.

"You" (or **"Your"**) shall mean an individual or Legal Entity exercising permissions granted by this License.

"Source" form shall mean the preferred form for making modifications, including but not limited to software source code, documentation source, and configuration files.

"Object" form shall mean any form resulting from mechanical transformation or translation of a Source form, including but not limited to compiled object code, generated documentation, and conversions to other media types.

"Work" shall mean the work of authorship, whether in Source or Object form, made available under the License, as indicated by a copyright notice that is included in or attached to the work (an example is provided in the Appendix below).

"Derivative Works" shall mean any work, whether in Source or Object form, that is based on (or derived from) the Work and for which the editorial revisions, annotations, elaborations, or other modifications represent, as a whole, an original work of authorship. For the purposes of this License, Derivative Works shall not include works that remain separable from, or merely link (or bind by name) to the interfaces of, the Work and Derivative Works thereof.

"Contribution" shall mean any work of authorship, including the original version of the Work and any modifications or additions to that Work or Derivative Works thereof, that is intentionally submitted to Licensor for inclusion in the Work by the copyright owner or by an individual or Legal Entity authorized to submit on behalf of the copyright owner. For the purposes of this definition, **"submitted"** means any form of electronic, verbal, or written communication sent to the Licensor or its representatives, including but not limited to communication on electronic mailing lists, source code control systems, and issue tracking systems that are managed by, or on behalf of, the Licensor for the purpose of discussing and improving the Work, but excluding communication that is conspicuously marked or otherwise designated in writing by the copyright owner as **"Not a Contribution."**

"Contributor" shall mean Licensor and any individual or Legal Entity on behalf of whom a Contribution has been received by Licensor and subsequently incorporated within the Work.

2. Grant of Copyright License. Subject to the terms and conditions of this License, each Contributor hereby grants to You a perpetual, worldwide, non-exclusive, no-charge, royalty-free, irrevocable copyright license to reproduce, prepare Derivative Works of, publicly display, publicly perform, sublicense, and distribute the Work and such Derivative Works in Source or Object form.

3. Grant of Patent License. Subject to the terms and conditions of this License, each Contributor hereby grants to You a perpetual, worldwide, non-exclusive, no-charge, royalty-free, irrevocable (except as stated in this section) patent license to make, have made, use, offer to sell, sell, import, and otherwise transfer the Work, where such license applies only to those patent claims licensable by such Contributor that are necessarily

infringed by their Contribution(s) alone or by combination of their Contribution(s) with the Work to which such Contribution(s) was submitted. If You institute patent litigation against any entity (including a cross-claim or counterclaim in a lawsuit) alleging that the Work or a Contribution incorporated within the Work constitutes direct or contributory patent infringement, then any patent licenses granted to You under this License for that Work shall terminate as of the date such litigation is filed.

4. Redistribution. You may reproduce and distribute copies of the Work or Derivative Works thereof in any medium, with or without modifications, and in Source or Object form, provided that You meet the following conditions:

- You must give any other recipients of the Work or Derivative Works a copy of this License; and
- You must cause any modified files to carry prominent notices stating that You changed the files; and
- You must retain, in the Source form of any Derivative Works that You distribute, all copyright, patent, trademark, and attribution notices from the Source form of the Work, excluding those notices that do not pertain to any part of the Derivative Works; and
- If the Work includes a "**NOTICE**" text file as part of its distribution, then any Derivative Works that You distribute must include a readable copy of the attribution notices contained within such NOTICE file, excluding those notices that do not pertain to any part of the Derivative Works, in at least one of the following places: within a NOTICE text file distributed as part of the Derivative Works; within the Source form or documentation, if provided along with the Derivative Works; or, within a display generated by the Derivative Works, if and wherever such third-party notices normally appear. The contents of the NOTICE file are for informational purposes only and do not modify the License.

You may add Your own attribution notices within Derivative Works that You distribute, alongside or as an addendum to the NOTICE text from the Work, provided that such additional attribution notices cannot be construed as modifying the License. You may add Your own copyright statement to Your modifications and may provide additional or different license terms and conditions for use, reproduction, or distribution of Your modifications, or for any such Derivative Works as a whole, provided Your use, reproduction, and distribution of the Work otherwise complies with the conditions stated in this License.

5. Submission of Contributions. Unless You explicitly state otherwise, any Contribution intentionally submitted for inclusion in the Work by You to the Licensor shall be under the terms and conditions of this License, without any additional terms or conditions. Notwithstanding the above, nothing herein shall supersede or modify the terms of any separate license agreement you may have executed with Licensor regarding such Contributions.

6. Trademarks. This License does not grant permission to use the trade names, trademarks, service marks, or product names of the Licensor, except as required for reasonable and customary use in describing the origin of the Work and reproducing the content of the NOTICE file.

7. Disclaimer of Warranty. Unless required by applicable law or agreed to in writing, Licensor provides the Work (and each Contributor provides its Contributions) on an "AS IS" BASIS, WITHOUT WARRANTIES OR CONDITIONS OF ANY KIND, either express or implied, including, without limitation, any warranties or conditions of TITLE, NON-INFRINGEMENT, MERCHANTABILITY, or FITNESS FOR A PARTICULAR PURPOSE. You are solely responsible for determining the appropriateness of using or redistributing the Work and assume any risks associated with Your exercise of permissions under this License.

8. Limitation of Liability. In no event and under no legal theory, whether in tort (including negligence), contract, or otherwise, unless required by applicable law (such as deliberate and grossly negligent acts) or agreed to in writing, shall any Contributor be liable to You for damages, including any direct, indirect, special, incidental, or consequential damages of any character arising as a result of this License or out of the use or inability to use the Work (including but not limited to damages for loss of goodwill, work stoppage, computer failure or malfunction, or any and all other commercial damages or losses), even if such Contributor has been advised of the possibility of such damages.

9. Accepting Warranty or Additional Liability. While redistributing the Work or Derivative Works thereof, You may choose to offer, and charge a fee for, acceptance of support, warranty, indemnity, or other liability obligations and/or rights consistent with this License. However, in accepting such obligations, You may act only on Your own behalf and on Your sole responsibility, not on behalf of any other Contributor, and only if You agree to indemnify, defend, and hold each Contributor harmless for any liability incurred by, or claims asserted against, such Contributor by reason of your accepting any such warranty or additional liability.

END OF TERMS AND CONDITIONS

Warranty Disclaimer

This product contains Open Source Software components which underly Open Source Software Licenses. Please note that Open Source Licenses contain disclaimer clauses. The text of the Open Source Licenses that apply are included in this manual under "Licenses".