



 **BOSCH**

# GCM 18V-216 D Professional

**HEAVY  
DUTY**

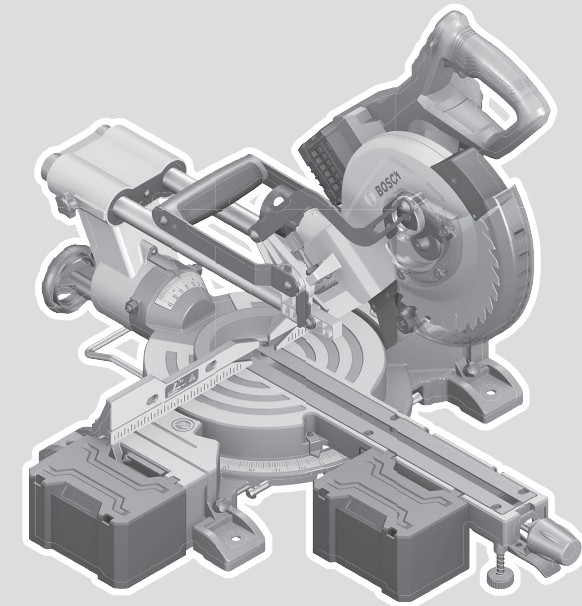
**Robert Bosch Power Tools GmbH**  
70538 Stuttgart  
GERMANY

[www.bosch-pt.com](http://www.bosch-pt.com)

1 609 92A 9PL (2024.04) PS / 174



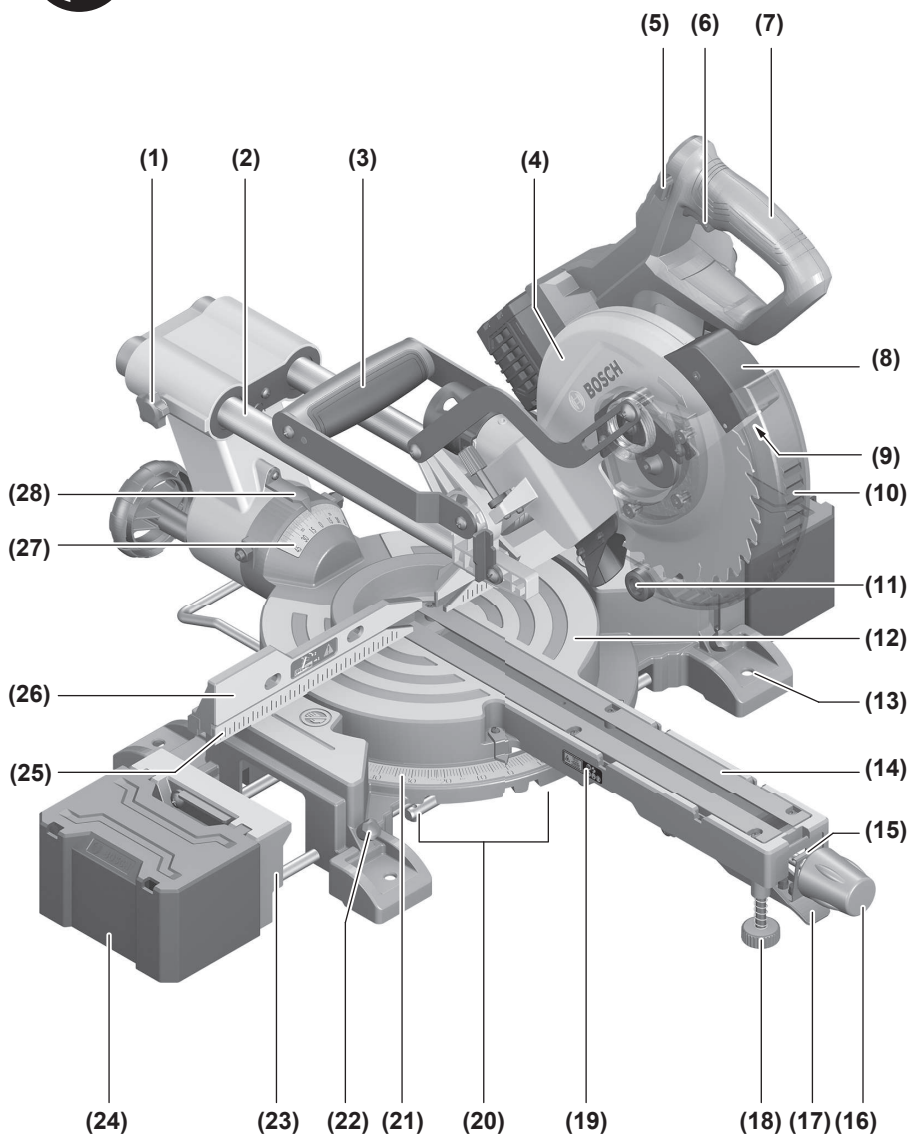
1 609 92A 9PL

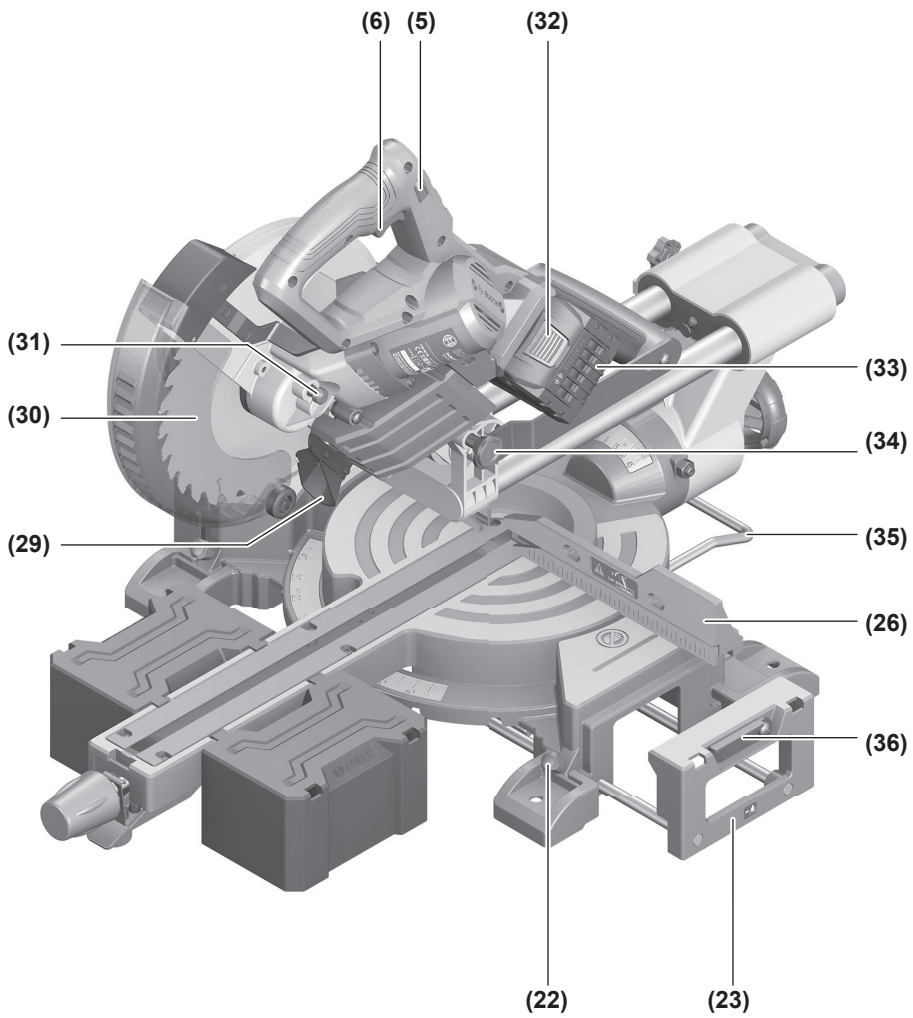


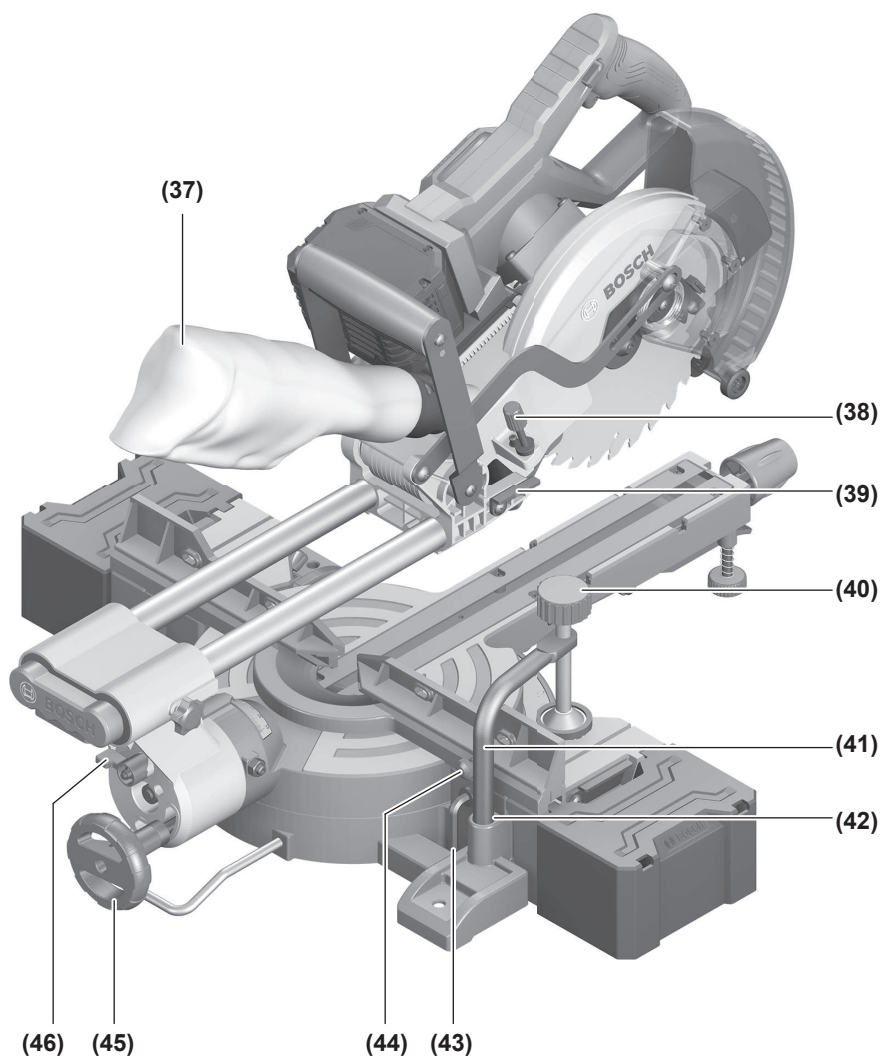
- en Original instructions
- fr Notice originale
- pt Manual original
- es Manual original
- pt Manual de instruções original
- zh 正本使用说明书
- zh 原始使用說明書
- th หนังสือคู่มือการใช้งานฉบับต้นแบบ
- id Petunjuk-Petunjuk untuk Penggunaan Orisinal
- vi Bản gốc hướng dẫn sử dụng
- ar دليل التشغيل الأصلي
- fa دفترچه راهنمای اصلی

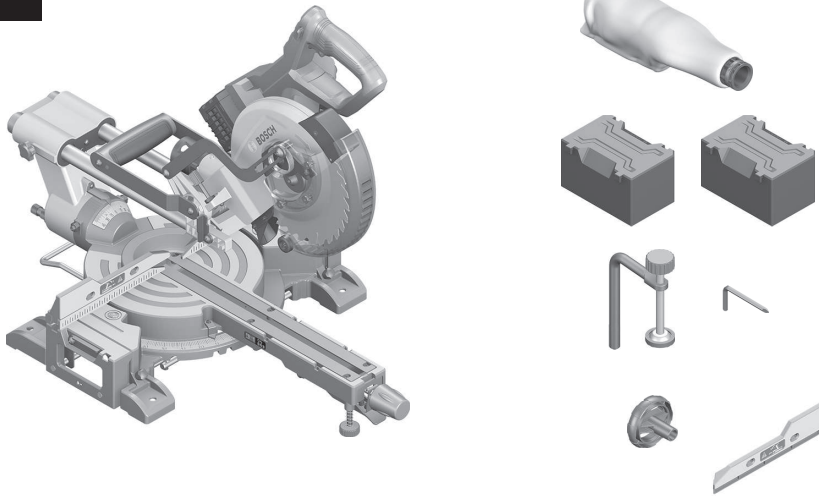
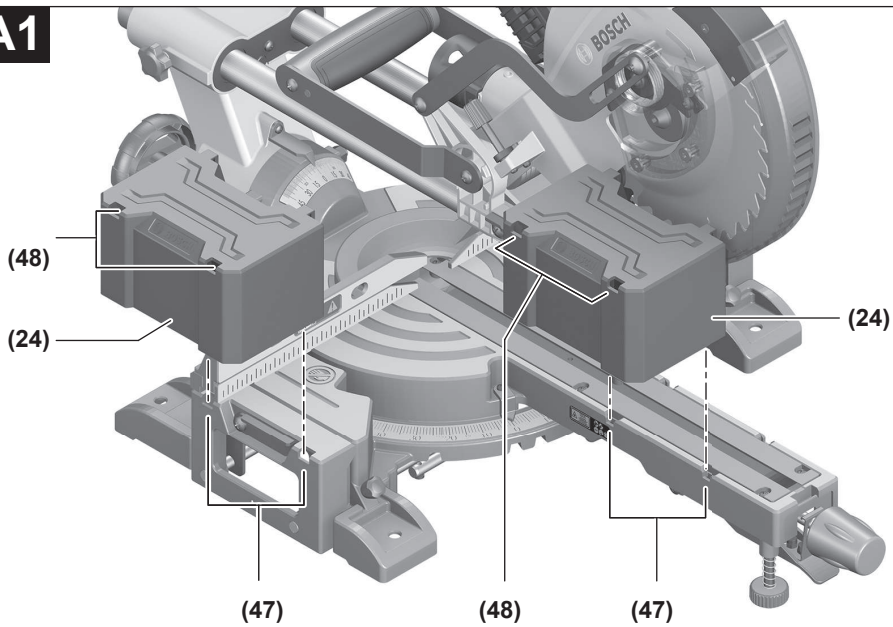


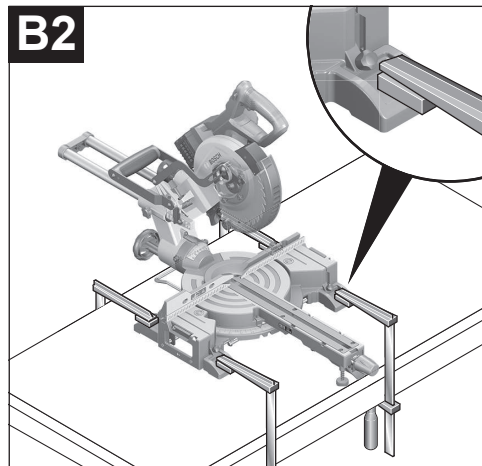
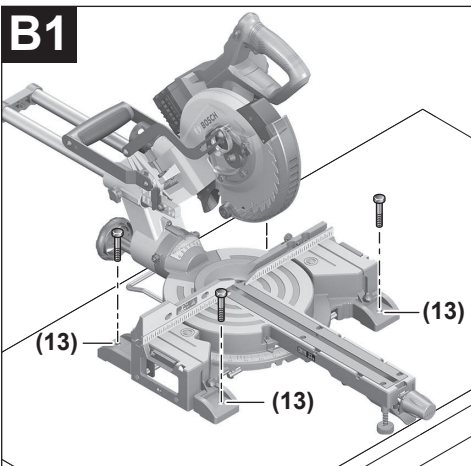
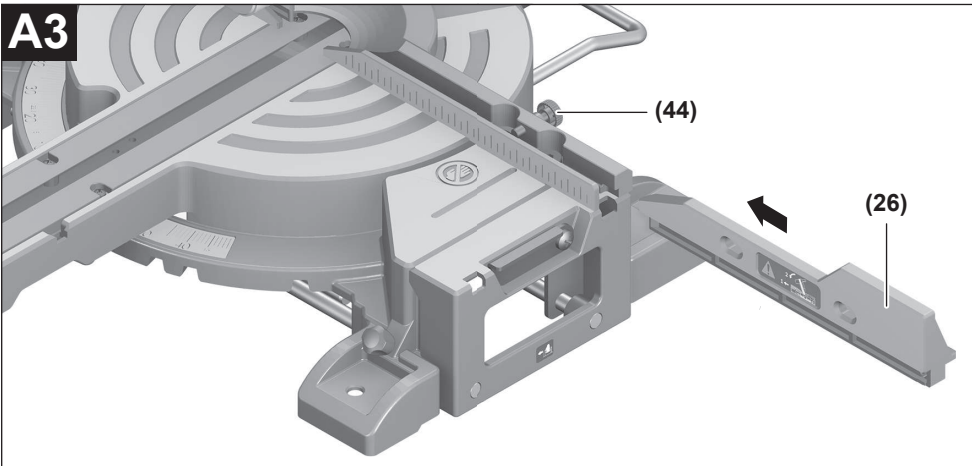
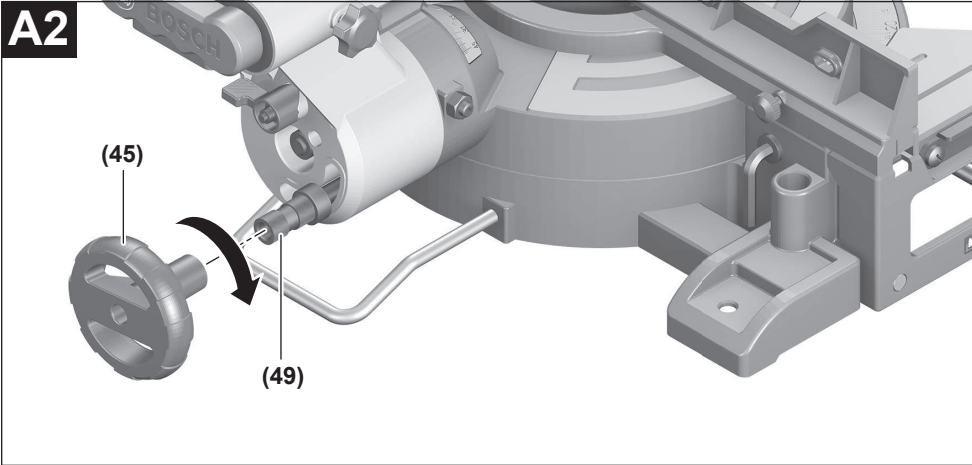
English .....	Page	14
Français .....	Page	26
Português .....	Página	40
Español .....	Página	54
Português do Brasil .....	Página	68
中文 .....	页	81
繁體中文 .....	頁	92
ไทย .....	หน้า	102
Bahasa Indonesia .....	Halaman	115
Tiếng Việt .....	Trang	128
عربي .....	الصفحة	142
فارسی .....	صفحه	156

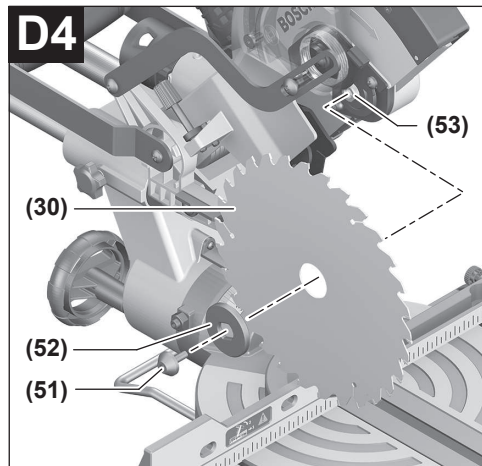
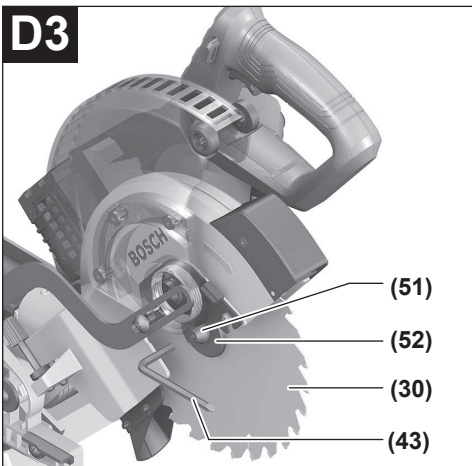
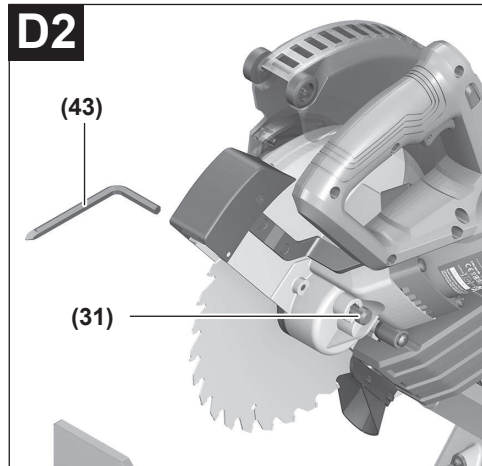
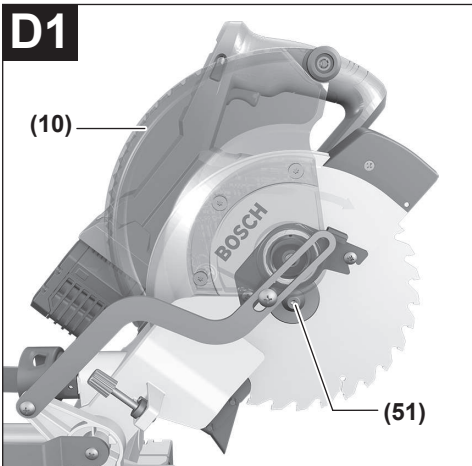
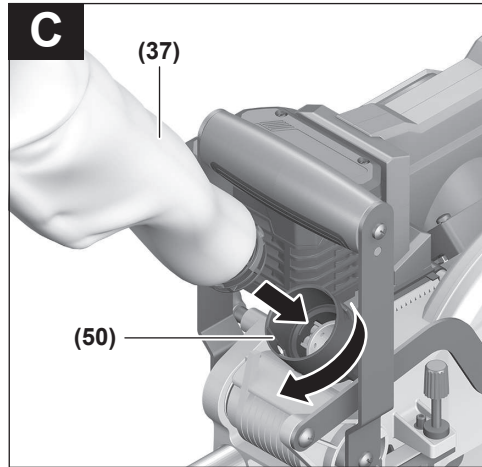
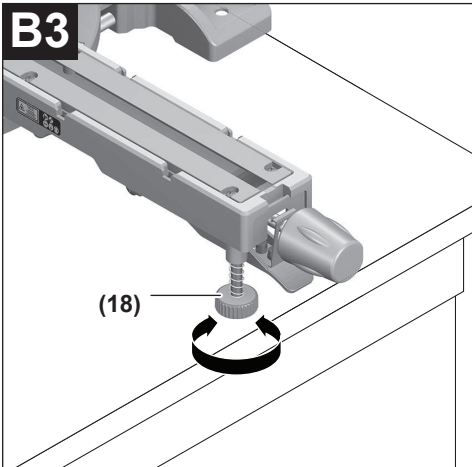




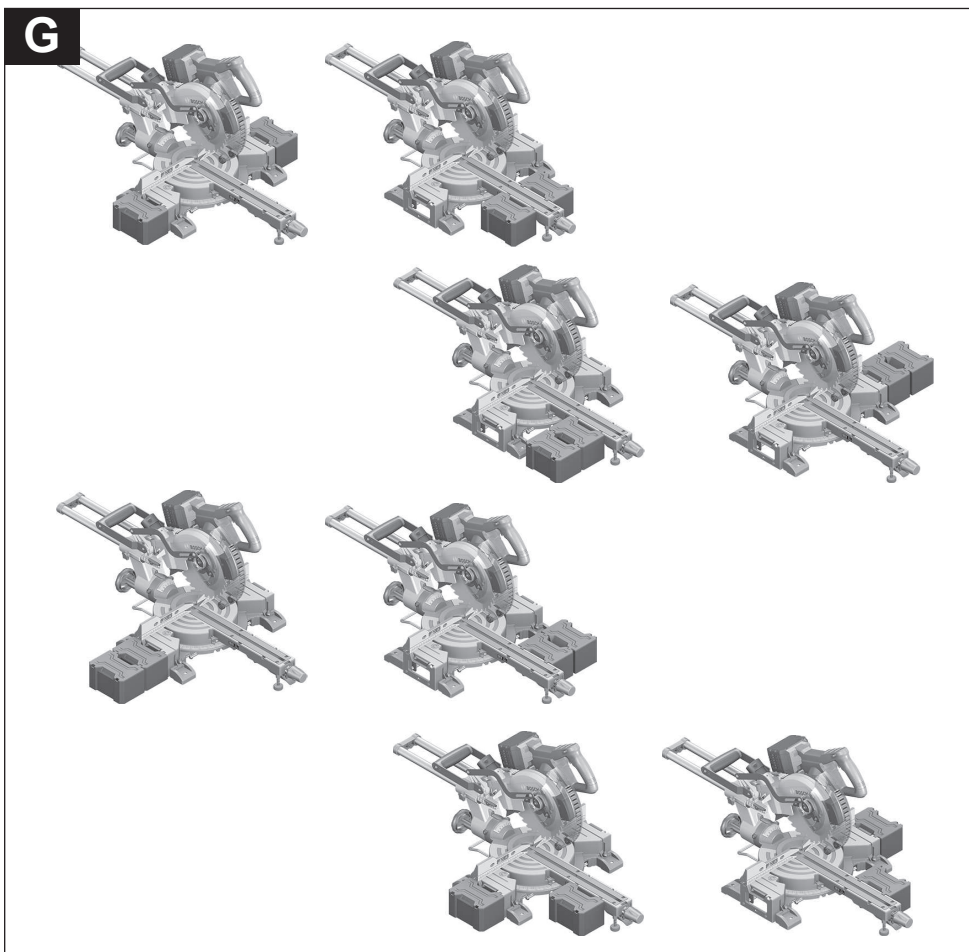
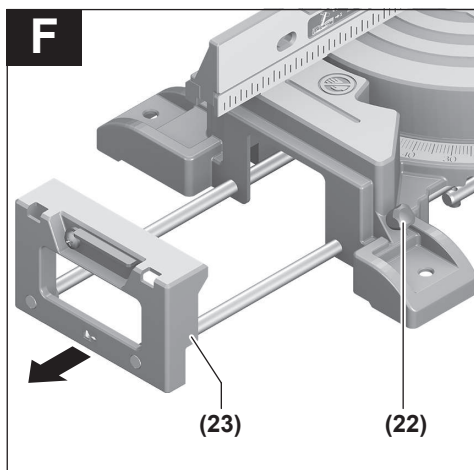
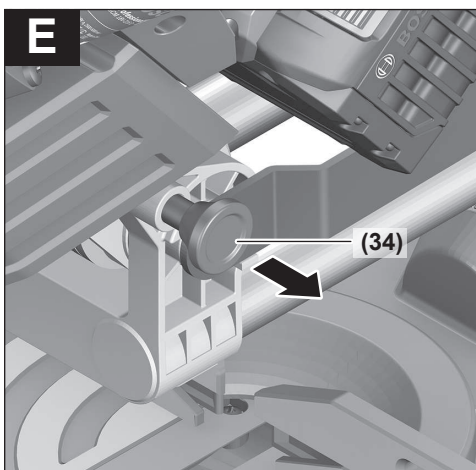


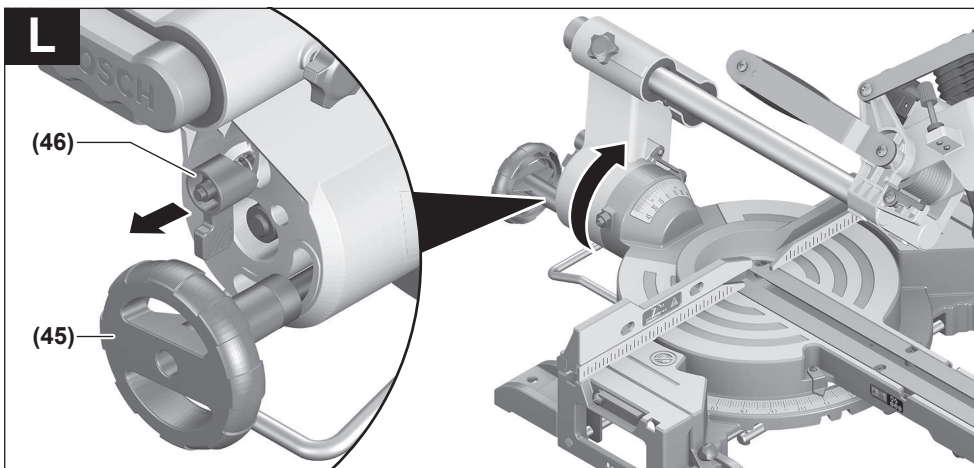
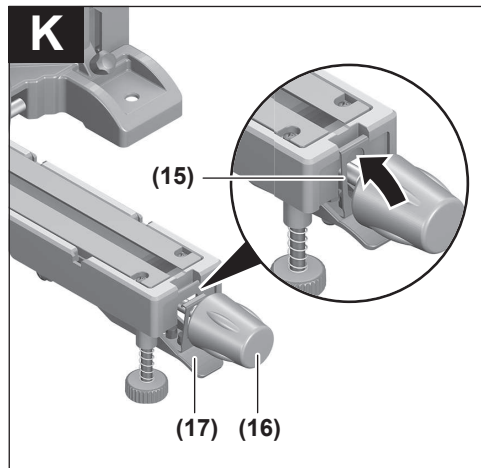
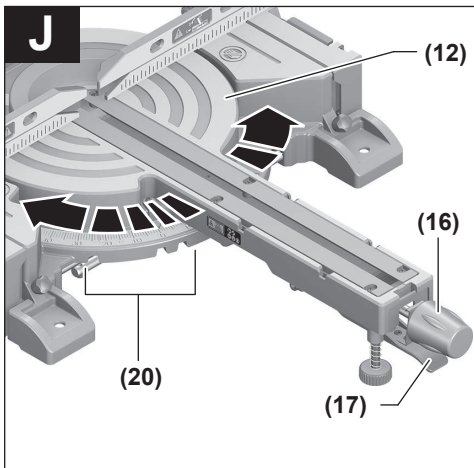
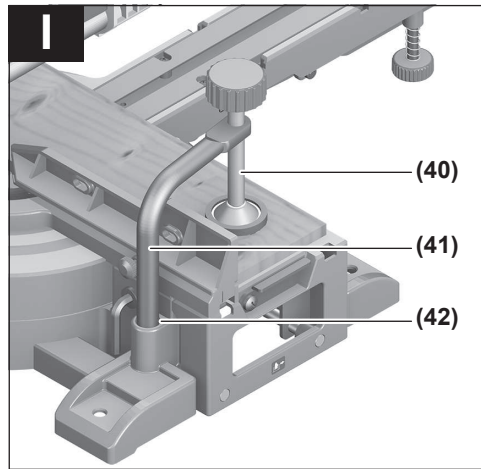
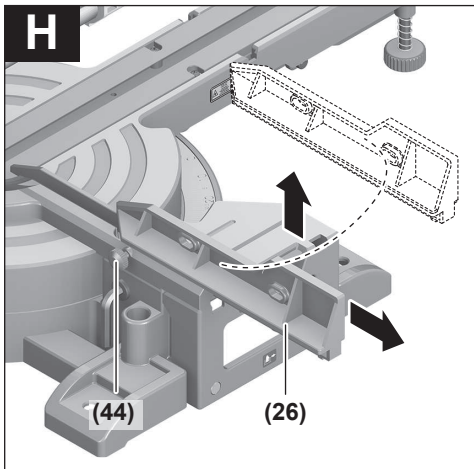

**A1**


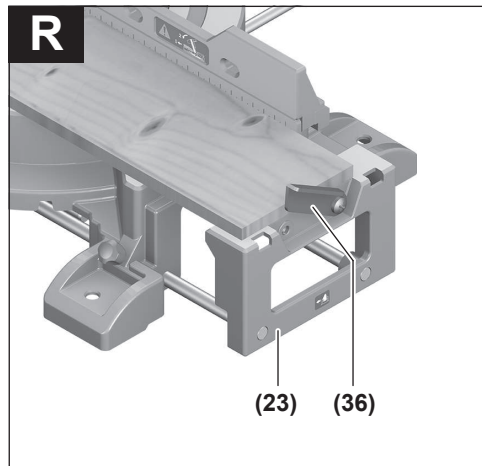
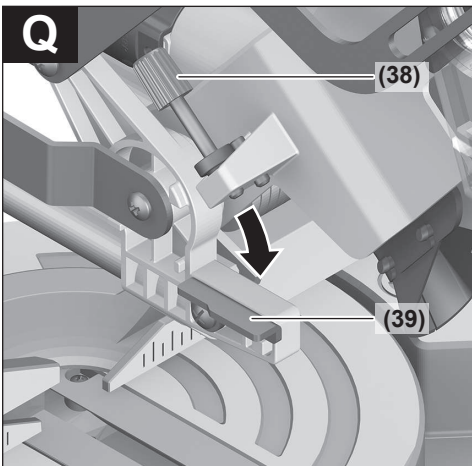
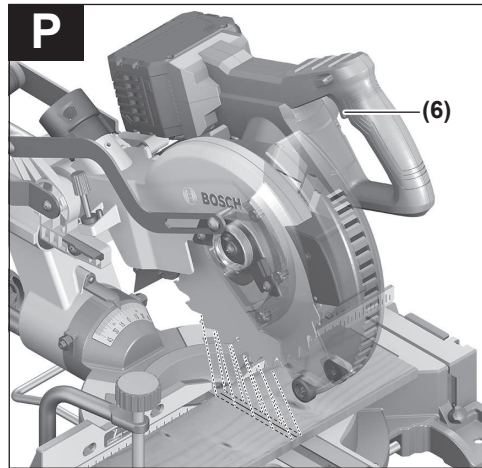
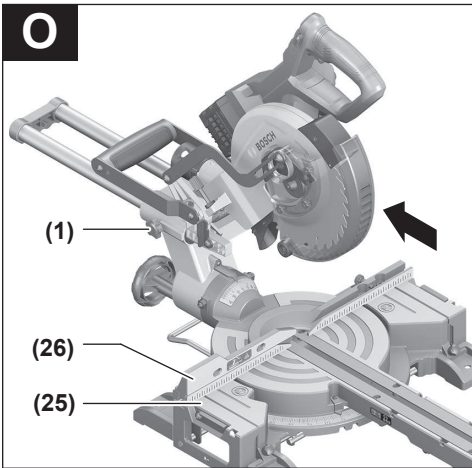
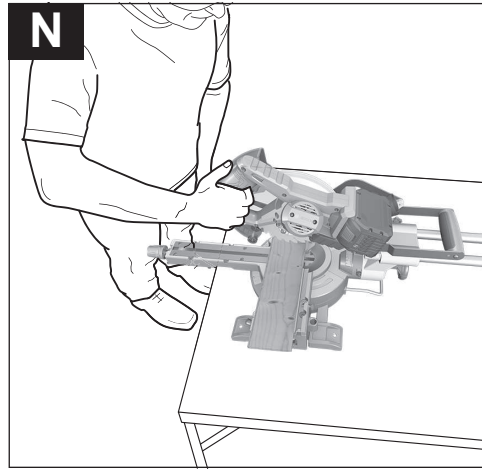
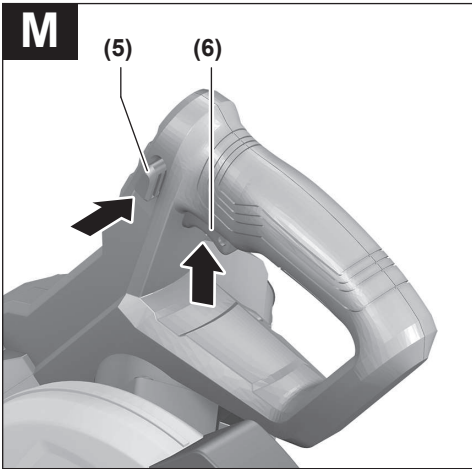


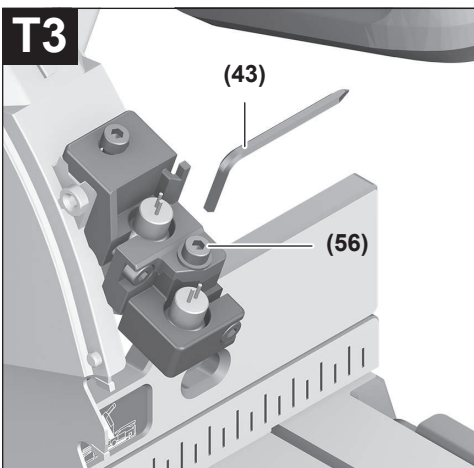
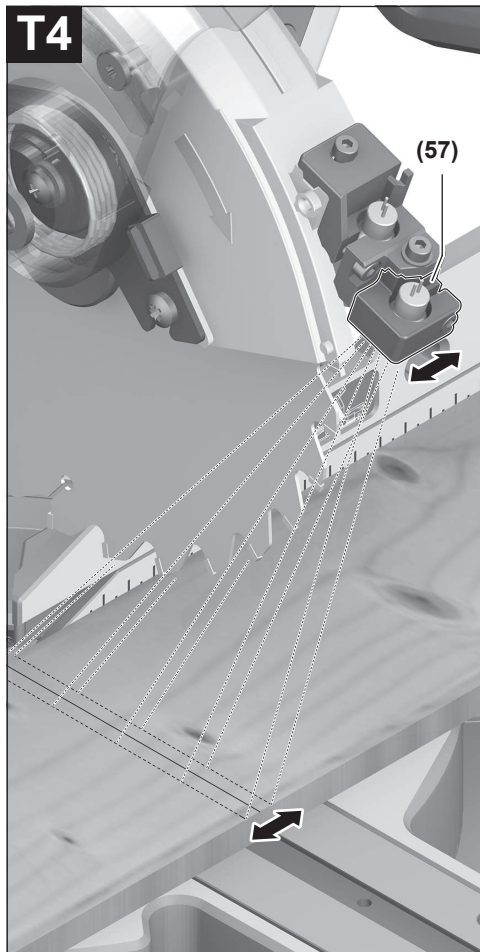
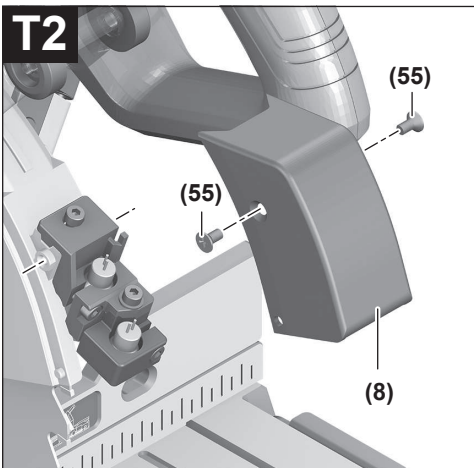
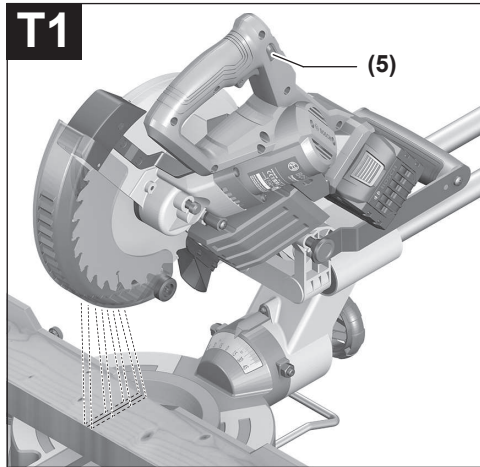
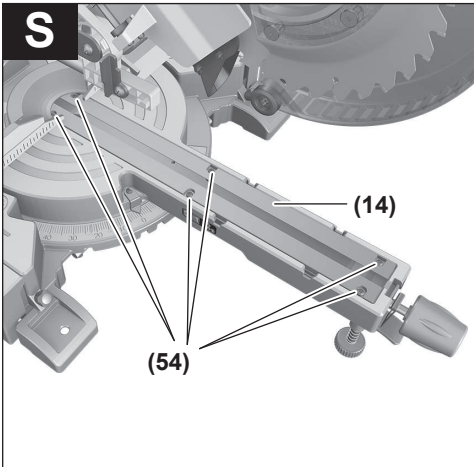


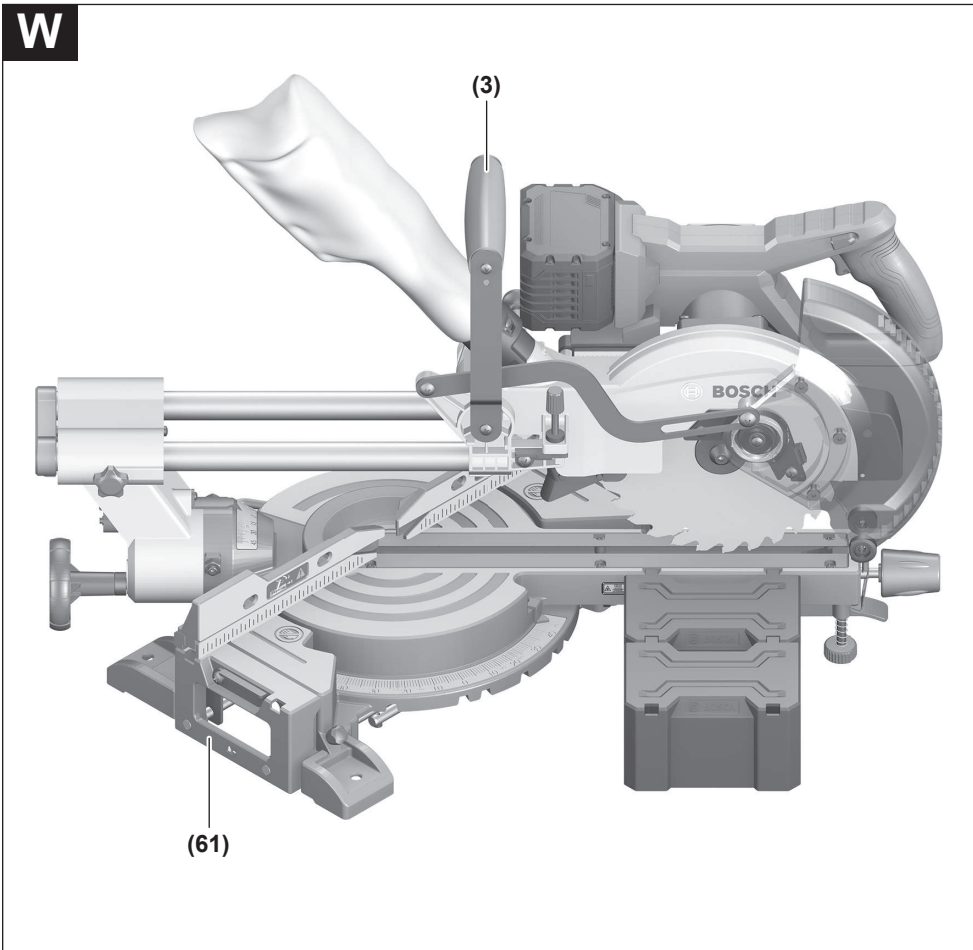
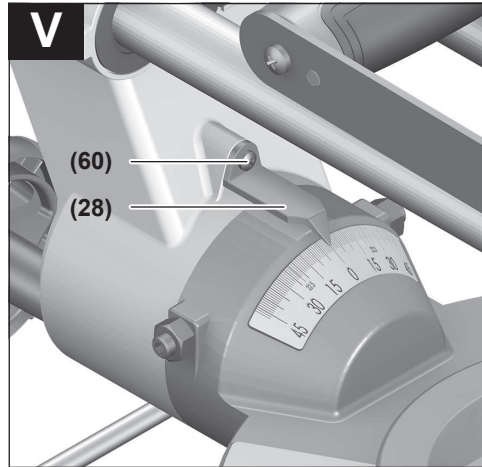
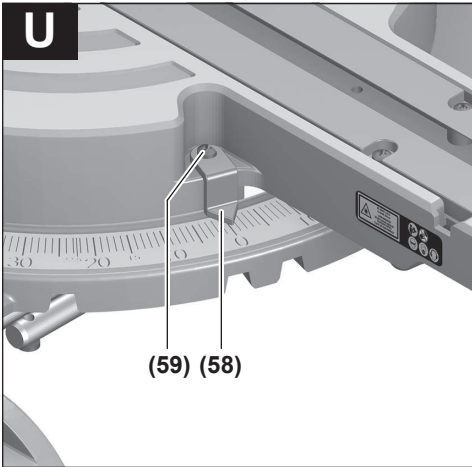












# English

## Safety instructions

### General Power Tool Safety Warnings

**⚠ WARNING** Read all safety warnings, instructions, illustrations and specifications provided with this power tool. Failure to follow all instructions listed below may result in electric shock, fire and/or serious injury.

**Save all warnings and instructions for future reference.**

The term "power tool" in the warnings refers to your mains-operated (corded) power tool or battery-operated (cordless) power tool.

#### Work area safety

- ▶ **Keep work area clean and well lit.** Cluttered or dark areas invite accidents.
- ▶ **Do not operate power tools in explosive atmospheres, such as in the presence of flammable liquids, gases or dust.** Power tools create sparks which may ignite the dust or fumes.
- ▶ **Keep children and bystanders away while operating a power tool.** Distractions can cause you to lose control.

#### Electrical safety

- ▶ **Power tool plugs must match the outlet. Never modify the plug in any way. Do not use any adapter plugs with earthed (grounded) power tools.** Unmodified plugs and matching outlets will reduce risk of electric shock.
- ▶ **Avoid body contact with earthed or grounded surfaces, such as pipes, radiators, ranges and refrigerators.** There is an increased risk of electric shock if your body is earthed or grounded.
- ▶ **Do not expose power tools to rain or wet conditions.** Water entering a power tool will increase the risk of electric shock.
- ▶ **Do not abuse the cord. Never use the cord for carrying, pulling or unplugging the power tool. Keep cord away from heat, oil, sharp edges or moving parts.** Damaged or entangled cords increase the risk of electric shock.
- ▶ **When operating a power tool outdoors, use an extension cord suitable for outdoor use.** Use of a cord suitable for outdoor use reduces the risk of electric shock.
- ▶ **If operating a power tool in a damp location is unavoidable, use a residual current device (RCD) protected supply.** Use of an RCD reduces the risk of electric shock.

#### Personal safety

- ▶ **Stay alert, watch what you are doing and use common sense when operating a power tool. Do not use a power tool while you are tired or under the influence of drugs, alcohol or medication.** A moment of inatten-

tion while operating power tools may result in serious personal injury.

- ▶ **Use personal protective equipment. Always wear eye protection.** Protective equipment such as a dust mask, non-skid safety shoes, hard hat or hearing protection used for appropriate conditions will reduce personal injuries.
- ▶ **Prevent unintentional starting. Ensure the switch is in the off-position before connecting to power source and/or battery pack, picking up or carrying the tool.** Carrying power tools with your finger on the switch or energising power tools that have the switch on invites accidents.
- ▶ **Remove any adjusting key or wrench before turning the power tool on.** A wrench or a key left attached to a rotating part of the power tool may result in personal injury.
- ▶ **Do not overreach. Keep proper footing and balance at all times.** This enables better control of the power tool in unexpected situations.
- ▶ **Dress properly. Do not wear loose clothing or jewellery. Keep your hair and clothing away from moving parts.** Loose clothes, jewellery or long hair can be caught in moving parts.
- ▶ **If devices are provided for the connection of dust extraction and collection facilities, ensure these are connected and properly used.** Use of dust collection can reduce dust-related hazards.
- ▶ **Do not let familiarity gained from frequent use of tools allow you to become complacent and ignore tool safety principles.** A careless action can cause severe injury within a fraction of a second.

#### Power tool use and care

- ▶ **Do not force the power tool. Use the correct power tool for your application.** The correct power tool will do the job better and safer at the rate for which it was designed.
- ▶ **Do not use the power tool if the switch does not turn it on and off.** Any power tool that cannot be controlled with the switch is dangerous and must be repaired.
- ▶ **Disconnect the plug from the power source and/or remove the battery pack, if detachable, from the power tool before making any adjustments, changing accessories, or storing power tools.** Such preventive safety measures reduce the risk of starting the power tool accidentally.
- ▶ **Store idle power tools out of the reach of children and do not allow persons unfamiliar with the power tool or these instructions to operate the power tool.** Power tools are dangerous in the hands of untrained users.
- ▶ **Maintain power tools and accessories. Check for misalignment or binding of moving parts, breakage of parts and any other condition that may affect the power tool's operation. If damaged, have the power tool repaired before use.** Many accidents are caused by poorly maintained power tools.

- ▶ **Keep cutting tools sharp and clean.** Properly maintained cutting tools with sharp cutting edges are less likely to bind and are easier to control.
- ▶ **Use the power tool, accessories and tool bits etc. in accordance with these instructions, taking into account the working conditions and the work to be performed.** Use of the power tool for operations different from those intended could result in a hazardous situation.
- ▶ **Keep handles and grasping surfaces dry, clean and free from oil and grease.** Slippery handles and grasping surfaces do not allow for safe handling and control of the tool in unexpected situations.

#### Battery tool use and care

- ▶ **Recharge only with the charger specified by the manufacturer.** A charger that is suitable for one type of battery pack may create a risk of fire when used with another battery pack.
- ▶ **Use power tools only with specifically designated battery packs.** Use of any other battery packs may create a risk of injury and fire.
- ▶ **When battery pack is not in use, keep it away from other metal objects, like paper clips, coins, keys, nails, screws or other small metal objects, that can make a connection from one terminal to another.** Shorting the battery terminals together may cause burns or a fire.
- ▶ **Under abusive conditions, liquid may be ejected from the battery; avoid contact. If contact accidentally occurs, flush with water. If liquid contacts eyes, additionally seek medical help.** Liquid ejected from the battery may cause irritation or burns.
- ▶ **Do not use a battery pack or tool that is damaged or modified.** Damaged or modified batteries may exhibit unpredictable behaviour resulting in fire, explosion or risk of injury.
- ▶ **Do not expose a battery pack or tool to fire or excessive temperature.** Exposure to fire or temperature above 130 °C may cause explosion.
- ▶ **Follow all charging instructions and do not charge the battery pack or tool outside the temperature range specified in the instructions.** Charging improperly or at temperatures outside the specified range may damage the battery and increase the risk of fire.

#### Service

- ▶ **Have your power tool serviced by a qualified repair person using only identical replacement parts.** This will ensure that the safety of the power tool is maintained.
- ▶ **Never service damaged battery packs.** Service of battery packs should only be performed by the manufacturer or authorized service providers.

#### Safety Warnings for Mitre Saws

- ▶ **Mitre saws are intended to cut wood or wood-like products, they cannot be used with abrasive cut-off wheels for cutting ferrous material such as bars, rods,**

**studs, etc.** Abrasive dust causes moving parts such as the lower guard to jam. Sparks from abrasive cutting will burn the lower guard, the kerf insert and other plastic parts.

- ▶ **Use clamps to support the workpiece whenever possible. If supporting the workpiece by hand, you must always keep your hand at least 100 mm from either side of the saw blade. Do not use this saw to cut pieces that are too small to be securely clamped or held by hand.** If your hand is placed too close to the saw blade, there is an increased risk of injury from blade contact.
- ▶ **The workpiece must be stationary and clamped or held against both the fence and the table. Do not feed the workpiece into the blade or cut “freehand” in any way.** Unrestrained or moving workpieces could be thrown at high speeds, causing injury.
- ▶ **Push the saw through the workpiece. Do not pull the saw through the workpiece. To make a cut, raise the saw head and pull it out over the workpiece without cutting, start the motor, press the saw head down and push the saw through the workpiece.** Cutting on the pull stroke is likely to cause the saw blade to climb on top of the workpiece and violently throw the blade assembly towards the operator.
- ▶ **Never cross your hand over the intended line of cutting either in front or behind the saw blade.** Supporting the workpiece “cross handed” i.e. holding the workpiece to the right of the saw blade with your left hand or vice versa is very dangerous.
- ▶ **Do not reach behind the fence with either hand closer than 100 mm from either side of the saw blade, to remove wood scraps, or for any other reason while the blade is spinning.** The proximity of the spinning saw blade to your hand may not be obvious and you may be seriously injured.
- ▶ **Inspect your workpiece before cutting. If the workpiece is bowed or warped, clamp it with the outside bowed face toward the fence. Always make certain that there is no gap between the workpiece, fence and table along the line of the cut.** Bent or warped workpieces can twist or shift and may cause binding on the spinning saw blade while cutting. There should be no nails or foreign objects in the workpiece.
- ▶ **Do not use the saw until the table is clear of all tools, wood scraps, etc., except for the workpiece.** Small debris or loose pieces of wood or other objects that contact the revolving blade can be thrown with high speed.
- ▶ **Cut only one workpiece at a time.** Stacked multiple workpieces cannot be adequately clamped or braced and may bind on the blade or shift during cutting.
- ▶ **Ensure the mitre saw is mounted or placed on a level, firm work surface before use.** A level and firm work surface reduces the risk of the mitre saw becoming unstable.
- ▶ **Plan your work. Every time you change the bevel or mitre angle setting, make sure the adjustable fence is set correctly to support the workpiece and will not interfere with the blade or the guarding system.** Without

turning the tool "ON" and with no workpiece on the table, move the saw blade through a complete simulated cut to assure there will be no interference or danger of cutting the fence.

- ▶ **Provide adequate support such as table extensions, saw horses, etc. for a workpiece that is wider or longer than the table top.** Workpieces longer or wider than the mitre saw table can tip if not securely supported. If the cut-off piece or workpiece tips, it can lift the lower guard or be thrown by the spinning blade.
- ▶ **Do not use another person as a substitute for a table extension or as additional support.** Unstable support for the workpiece can cause the blade to bind or the workpiece to shift during the cutting operation pulling you and the helper into the spinning blade.
- ▶ **The cut-off piece must not be jammed or pressed by any means against the spinning saw blade.** If confined, i.e. using length stops, the cut-off piece could get wedged against the blade and thrown violently.
- ▶ **Always use a clamp or a fixture designed to properly support round material such as rods or tubing.** Rods have a tendency to roll while being cut, causing the blade to "bite" and pull the work with your hand into the blade.
- ▶ **Let the blade reach full speed before contacting the workpiece.** This will reduce the risk of the workpiece being thrown.
- ▶ **If the workpiece or blade becomes jammed, turn the mitre saw off. Wait for all moving parts to stop and disconnect the plug from the power source and/or remove the battery pack. Then work to free the jammed material.** Continued sawing with a jammed workpiece could cause loss of control or damage to the mitre saw.
- ▶ **After finishing the cut, release the switch, hold the saw head down and wait for the blade to stop before removing the cut-off piece.** Reaching with your hand near the coasting blade is dangerous.
- ▶ **Hold the handle firmly when making an incomplete cut or when releasing the switch before the saw head is completely in the down position.** The braking action of the saw may cause the saw head to be suddenly pulled downward, causing a risk of injury.
- ▶ **Do not let go of the handle once the saw head has reached the lowest position. Always guide the saw head back to the top position by hand.** There is a risk of injury if the saw head moves in an uncontrolled manner.
- ▶ **Keep your work area clean.** Material mixtures are particularly hazardous. Light metal dust may catch fire or explode.
- ▶ **Do not use dull, cracked, bent or damaged saw blades. Unsharpened or improperly set saw blades produce narrow kerf causing excessive friction, blade binding and kickback.**
- ▶ **Do not use saw blades made from high speed steel (HSS).** Such saw blades can easily break.
- ▶ **Always use saw blades with correct size and shape (diamond versus round) of arbour holes.** Saw blades

that do not match the mounting hardware of the saw will run off-centre, causing loss of control.

- ▶ **Never remove cuttings, wood chips, etc. from the cutting area while the power tool is running.** Always guide the tool arm back to the neutral position first and then switch the power tool off.
- ▶ **Do not touch the saw blade after working before it has cooled.** The saw blade becomes very hot while working.
- ▶ **In case of damage and improper use of the battery, vapours may be emitted. The battery can set alight or explode.** Ensure the area is well ventilated and seek medical attention should you experience any adverse effects. The vapours may irritate the respiratory system.
- ▶ **Do not open the battery.** There is a risk of short-circuiting.
- ▶ **The battery can be damaged by pointed objects such as nails or screwdrivers or by force applied externally.** An internal short circuit may occur, causing the battery to burn, smoke, explode or overheat.
- ▶ **Only use the battery in the manufacturer's products.** This is the only way in which you can protect the battery against dangerous overload.



**Protect the battery against heat, e.g. against continuous intense sunlight, fire, dirt, water and moisture.** There is a risk of explosion and short-circuiting.



- ▶ **The power tool is delivered with a laser warning sign (see table: "Symbols and their meaning").**
- ▶ **If the text of the laser warning label is not in your national language, stick the provided warning label in your national language over it before operating for the first time.**
- ▶ **Never make warning signs on the machine unrecognisable.**



**Do not direct the laser beam at persons or animals and do not stare into the direct or reflected laser beam yourself.** You could blind somebody, cause accidents or damage your eyes.

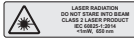
- ▶ **If laser radiation hits your eye, you must close your eyes and immediately turn your head away from the beam.**
- ▶ **Do not make any modifications to the laser equipment.** The setting options described in these operating instructions can be used safely.
- ▶ **Do not let children use the power tool unsupervised.** They could unintentionally blind themselves or other persons

## Symbols

The following symbols may be important for the operation of your power tool. Please take note of these symbols and their meaning. Correctly interpreting the symbols will help you to operate the power tool more effectively and safely.



## Symbols and their meaning



**Laser radiation**  
Do not look directly into the beam  
Laser class 2



**Keep hands away from the cutting area while the power tool is running.** Contact with the saw blade can lead to injuries.



**Wear a dust mask.**



**Wear safety goggles.**



**Wear hearing protection.** Exposure to noise can cause hearing loss.



**Danger area! Keep hands, fingers and arms away from this area.**



When transporting the power tool, hold it only at the locations indicated (recessed handles) or by the transport handle.



When sawing bevel angles, the adjustable fences must be pulled outwards or removed completely.



Take note of the dimensions of the saw blade (saw blade diameter **D**, hole diameter **d**). The hole diameter **d** must match the tool spindle without play. If it is necessary to use reducers, ensure that the dimensions of the reducer are suitable for the base blade thickness and the saw blade hole diameter, as well as the tool spindle diameter. Wherever possible, use the reducers provided with the saw blade.

The saw blade diameter **D** must match the information specified on the symbol.

See also: "Dimensions of suitable saw blades" in the "Technical Data" section.

## Product Description and Specifications



**Read all the safety and general instructions.**

Failure to observe the safety and general instructions may result in electric shock, fire and/or serious injury.

Please observe the illustrations at the beginning of this operating manual.

### Intended Use

The power tool is intended as a stationary machine for making straight cuts in wood with and against the grain. Mitre angles of  $-48^\circ$  to  $+48^\circ$  as well as bevel angles of  $47^\circ$  (left-hand side) to  $47^\circ$  (right-hand side) are possible.

The power tool is designed with sufficient capacity for sawing hardwood and softwood as well as chipboard and fibreboard.

When using appropriate saw blades, sawing aluminium profiles and plastic is also possible.

### Product Features

The numbering of the product features refers to the diagram of the power tool on the graphics page.

- (1) Locking screw for slide device
- (2) Slide device
- (3) Transport handle
- (4) Protective guard
- (5) Lock-off function for on/off switch
- (6) On/off switch
- (7) Handle
- (8) Laser protection cap
- (9) Laser beam outlet aperture
- (10) Retracting blade guard
- (11) Guide roller
- (12) Saw table
- (13) Mounting holes
- (14) Insert plate
- (15) Locking clamp
- (16) Locking knob for various mitre angles
- (17) Mitre pre-setting lever
- (18) Tilt protector
- (19) Laser warning label
- (20) Detents for standard mitre angles
- (21) Scale for mitre angles
- (22) Clamping screw for saw table extension
- (23) Saw table extension
- (24) Workpiece support (flexibly pluggable)
- (25) Fixed fence
- (26) Adjustable fence

(27)	Scale for bevel angle	(45)	Clamping wheel for bevel angle
(28)	Angle indicator for bevel angles	(46)	Locking lever for bevel angle
(29)	Chip deflector	(47)	Opening for workpiece support (on power tool)
(30)	Saw blade	(48)	Opening for second workpiece support (on workpiece support)
(31)	Spindle lock	(49)	Threaded bolts
(32)	Rechargeable battery release button	(50)	Dust extraction adapter
(33)	Rechargeable battery	(51)	Hex socket screw for mounting the saw blade
(34)	Transport safety lock	(52)	Clamping flange
(35)	Tilt protector	(53)	Inner clamping flange
(36)	Length stop	(54)	Fastening screws for insert plate
(37)	Dust bag	(55)	Screw for laser protection cap
(38)	Depth stop adjusting screw	(56)	Fastening screw for laser housing
(39)	Depth stop	(57)	Laser housing
(40)	Threaded rod	(58)	Angle indicator for mitre angles
(41)	Screw clamp	(59)	Screw for mitre angle indicator
(42)	Holes for screw clamp	(60)	Screw for bevel angle indicator
(43)	Hex key/slotted screwdriver	(61)	Recessed handles
(44)	Locking screw for the adjustable fence		

### Technical Data

Cordless sliding mitre saw		GCM 18V-216 D	GCM 18V-216 D
Article number		3 601 M51 0..	3 601 M51 0B. 3 601 M51 08.
Rated voltage	V=	18	18
No-load speed <sup>A)</sup>	min <sup>-1</sup>	5000	5000
Laser type	nm	650	650
	mW	< 1	< 1
Laser class		2	2
Weight <sup>B)</sup>	kg	16.4–17.4	16.4–17.4
Recommended ambient temperature during charging	°C	0 to +35	0 to +35
Permitted ambient temperature during operation <sup>C)</sup> and during storage	°C	-20 to +50	-20 to +50
Recommended rechargeable batteries		GBA 18V... ProCORE18V...	GBA 18V... ProCORE18V...
Recommended battery chargers		GAL 18... GAX 18... GAL 36...	GAL 18... GAX 18... GAL 36...

### Dimensions of suitable saw blades

Saw blade diameter <b>D</b>	mm	216	216
Base blade thickness	mm	1.2–1.8	1.2–1.8
Hole diameter <b>d</b>	mm	30	25.4

A) Measured at 20–25 °C with rechargeable battery **ProCORE18V 8.0Ah**

B) Depends on battery in use

C) Limited performance at temperatures < 0 °C

Permitted workpiece dimensions (maximum/minimum): (see "Permissible workpiece dimensions", page 24)

Values can vary depending on the product, scope of application and environmental conditions. To find out more, visit [www.bosch-professional.com/wac](http://www.bosch-professional.com/wac).

## Noise Information

Noise emission values determined according to **EN IEC 62841-3-9**.

Typically, the A-weighted noise level of the power tool is: Sound pressure level **93 dB(A)**; sound power level **107 dB(A)**. Uncertainty  $K = 3$  dB.

### Wear hearing protection!

The noise emission value given in these instructions has been measured in accordance with a standardised measuring procedure and may be used to compare power tools. It may also be used for a preliminary estimation of noise emissions.

The noise emission value given represents the main applications of the power tool. However, if the power tool is used for other applications, with different application tools or is poorly maintained, the noise emission value may differ. This may significantly increase noise emissions over the total working period.

To estimate noise emissions accurately, the times when the tool is switched off, or when it is running but not actually being used, should also be taken into account. This may significantly reduce noise emissions over the total working period.

## Rechargeable battery

**Bosch** sells some cordless power tools without a rechargeable battery. You can tell whether a rechargeable battery is included with the power tool by looking at the packaging.

### Charging the battery

► **Use only the chargers listed in the technical data.** Only these chargers are matched to the lithium-ion battery of your power tool.

**Note:** Lithium-ion rechargeable batteries are supplied partially charged according to international transport regulations. To ensure full rechargeable battery capacity, fully charge the rechargeable battery before using your tool for the first time.

### Inserting the Battery

Push the charged battery into the battery holder until it clicks into place.

### Removing the Battery



To remove the rechargeable battery, press the battery release button and pull the battery out. **Do not use force to do this.**

The rechargeable battery has two locking levels to prevent the battery from falling out if the battery release button is pressed unintentionally. The rechargeable battery is held in place by a spring when fitted in the power tool.

### Battery charge indicator

Note: Not all battery types have a battery charge indicator.

The green LEDs on the battery charge indicator indicate the state of charge of the battery. For safety reasons, it is only possible to check the state of charge when the power tool is not in operation.

Press the button for the battery charge indicator  or  to show the state of charge. This is also possible when the battery is removed.

If no LED lights up after pressing the button for the battery charge indicator, then the battery is defective and must be replaced.

#### Battery model GBA 18V...



LED	Capacity
3 × continuous green light	60–100 %
2 × continuous green light	30–60 %
1 × continuous green light	5–30 %
1 × flashing green light	0–5 %

#### Battery model ProCORE18V...



LED	Capacity
5 × continuous green light	80–100 %
4 × continuous green light	60–80 %
3 × continuous green light	40–60 %
2 × continuous green light	20–40 %
1 × continuous green light	5–20 %
1 × flashing green light	0–5 %

### Recommendations for Optimal Handling of the Battery

Protect the battery against moisture and water.

Only store the battery within a temperature range of  $-20$  to  $50$  °C. Do not leave the battery in your car in the summer, for example.

Occasionally clean the ventilation slots on the battery using a soft brush that is clean and dry.

A significantly reduced operating time after charging indicates that the battery has deteriorated and must be replaced. Follow the instructions on correct disposal.

## Assembly

► **Before carrying out any work on the power tool (e.g. maintenance, tool change etc.), remove the battery from the power tool.** There is risk of injury from unintentionally pressing the on/off switch.

## Items included



See the list of items included at the start of the operating manual.

Check to ensure that all the parts listed below have been supplied before using the power tool for the first time:

- Sliding mitre saw with fitted saw blade
- Clamping wheel (45)
- Adjustable fence (26)
- Screw clamp (41)
- Hex key/slotted screwdriver (43)
- Dust bag (37)
- Workpiece supports (24) (2 pieces)

**Note:** Check the power tool for possible damage.

Before continuing to use the power tool, carefully check that all protective devices or slightly damaged parts are working perfectly and according to specifications. Check that the moving parts are working perfectly and without jamming; check whether any parts are damaged. All parts must be fitted correctly and all the conditions necessary to ensure smooth operation must be met.

If the protective devices or any parts become damaged, you must have them properly repaired or replaced by an authorised service centre.

## Fitting individual components

- Carefully remove all parts included in the delivery from their packaging.
- Remove all packing material from the power tool and the accessories provided.
- For ease of assembly when fitting the tool elements that are provided, be aware that the power tool is supplied in the transport position.

## Installing Workpiece Supports (see figure A1)

The workpiece supports (24) can be positioned left, right or in front of the power tool. The flexible connector system enables a multitude of extension or expansion variants (see figure G).

- Insert the workpiece support (24) into the openings (47) on the power tool or into the openings (48) of the second workpiece support as required.

- ▶ **Never carry the power tool using the workpiece supports.**  
**Only use the transport devices to transport the power tool.**

## Fitting the Clamping Wheel (see figure A2)

The clamping wheel (45) fixes the selected bevel angle and is required for safe operation.

- Unscrew the hex nut from the threaded bolts (49).
- Screw the clamping wheel (45) clockwise onto the threaded bolts (49) and tighten it.

## Fitting the Adjustable Fence (see figure A3)

The adjustable fence (26) must be fitted before sawing.

- Slide the fence (26) on the right of the saw blade into the corresponding groove and tighten the locking screw (44). The levelled side of the fence must face inwards towards the saw blade.

## Stationary or flexible mounting

- ▶ **To ensure safe handling, the power tool must be mounted on a flat, stable work surface (e.g. work bench) before use.**

### Mounting on a work surface (see figure B1–B2)

- Use suitable screw fasteners to secure the power tool to the work surface. The holes (13) are used for this purpose.

or

- Firmly clamp the base of the power tool to the work surface with commercially available screw clamps.

### Mounting on a Bosch saw stand

With the height-adjustable legs, Bosch GTA saw stands provide firm support for the power tool on any surface. The workpiece supports of the saw stand are used for underlaying long workpieces.

- ▶ **Read all the warnings and instructions included with the saw stand.** Failure to observe the warnings and follow instructions may result in electric shock, fire and/or serious injury.
- ▶ **Assemble the saw stand properly before mounting the power tool.** Correct assembly is important to prevent the risk of collapsing.
- Mount the power tool on the saw stand in the transport position.

### Flexible installation (not recommended) (see figure B3)

If, in exceptional circumstances, it is not possible to mount the power tool on a flat and stable work surface, you can improvise by setting it up with the tilt protector.

- ▶ **Without the tilt protector, the power tool will not be stable and can tip over especially when sawing maximum mitre and/or bevel angles.**
- Rotate the tilt protector (18) inwards or outwards until the power tool is positioned straight on the work surface.

## Dust/Chip Extraction

The dust from materials such as lead paint, some types of wood, minerals and metal can be harmful to human health. Touching or breathing in this dust can trigger allergic reactions and/or cause respiratory illnesses in the user or in people in the near vicinity.

Certain dusts, such as oak or beech dust, are classified as carcinogenic, especially in conjunction with wood treatment additives (chromate, wood preservative). Materials containing asbestos may only be machined by specialists.

- Use a dust extraction system that is suitable for the material wherever possible.
- Provide good ventilation at the workplace.
- It is advisable to wear a P2 filter class breathing mask.

The regulations on the material being machined that apply in the country of use must be observed.

► **Avoid dust accumulation at the workplace.** Dust can easily ignite.

The dust/chip extraction system can be blocked by dust, chips or fragments of the workpiece.

- Switch the power tool off and remove the battery.
- Wait until the saw blade has come to a complete stop.
- Determine the cause of the blockage and eliminate it.

#### Self-generated dust extraction (see figure C)

For basic chip collection, use the dust bag (37) provided.

- Turn the transport handle (3) so that it is vertical.
- Place the dust bag (37) onto the extraction adapter (50) and turn so that the pin of the dust bag locks in place in the recess of the extraction adapter.

During sawing, the dust bag must not come into contact with moving tool components.

Always empty the dust bag in good time.

► **Check and clean the dust bag each time after using.**

► **When sawing aluminium, remove the dust bag to avoid the risk of fire.**

#### External Dust Extraction

You can also attach a dust extraction hose (35 mm diameter) to the extraction adapter (50) for extraction.

- Connect the dust extraction hose to the extraction adapter (50).

The dust extractor must be suitable for the material being worked.

When extracting dry dust that is especially detrimental to health or carcinogenic, use a special dust extractor.

#### Changing the saw blade (see figures D1–D4)

► **Before carrying out any work on the power tool (e.g. maintenance, tool change etc.), remove the battery from the power tool.** There is risk of injury from unintentionally pressing the on/off switch.

► **Wear protective gloves when fitting the saw blade.** There is a risk of injury when touching the saw blade.

Only use saw blades that have a maximum permitted speed higher than the no-load speed of the power tool.

Only use saw blades that match the specifications given in this operating manual and that have been tested and marked in accordance with EN 847-1.

Only use saw blades that are recommended by the power tool manufacturer and are suitable for use on the material you want to saw. This will prevent the saw teeth overheating when sawing.

#### Removing the Saw Blade

- Bring the power tool into the work position.
- Swivel the retracting blade guard (10) to the back and hold it in this position.

- Turn the hex socket screw (51) with the hex key (6 mm) (43) and at the same time push the spindle lock (31) until it engages.
- Keep holding the spindle lock (31) and loosen the hex socket screw (51) by turning it clockwise (left-hand thread).
- Remove the clamping flange (52).
- Remove the saw blade (30).
- Slowly push the retracting blade guard back down.

#### Fitting the saw blade

► **When fitting the saw blade, make sure that the cutting direction of the teeth (arrow direction on the saw blade) matches the direction of the arrow on the protective guard.**

If required, clean all the parts you want to fit before installing them.

- Swivel the retracting blade guard (10) to the back and hold it in this position.
- Place the new saw blade on the inner clamping flange (53).
- Fit the clamping flange (52) and the hex socket screw (51). Press the spindle lock (31) until it engages and tighten the hex socket screw by turning it anticlockwise.
- Slowly push the retracting blade guard back down.

## Operation

► **Before carrying out any work on the power tool (e.g. maintenance, tool change etc.), remove the battery from the power tool.** There is risk of injury from unintentionally pressing the on/off switch.

#### Transport Safety Lock (see figure E)

The transport safety lock (34) makes it easier to handle the power tool when transporting it to various working locations.

##### Unlocking the power tool (work position)

- Press the tool arm down slightly by the handle (7) to release the transport safety lock (34).
- Pull the transport safety lock (34) all the way out.
- Slowly guide the tool arm upwards.

##### Locking the power tool (transport position)

- Loosen the locking screw (1) if it is clamping the slide device (2) in place. Pull the tool arm fully forward and tighten the locking screw again to lock the slide device.
- Pull the depth stop (39) upwards.
- To lock the saw table (12) in place, tighten the locking knob (16).
- Swing the tool arm downwards by the handle (7) until you can press the transport safety lock (34) all the way in.

The tool arm is now securely locked and ready for transport.

## Preparing for operation

To ensure precise cuts, the basic settings of the power tool must be checked and adjusted as necessary after intensive use.

Experience and suitable special tools are required for this.

A Bosch after-sales service point will handle this work quickly and reliably.

### Extending/Expanding the Saw Table (see figures F–G)

The free end of long and heavy workpieces must have something placed underneath it or be supported.

The saw table can be extended left and right using the saw table extensions (23).

- Loosen the clamping screw (22).

### Moving the fence (see figure H)

When sawing mitre and/or bevel angles, you have to pull the left-hand or right-hand adjustable fence (26) outwards depending on the cutting direction, or remove it completely.

Bevel angle	Mitre angle	
0°–22.5° (left/right)	> 0°	<ul style="list-style-type: none"> <li>– Loosen the left-hand/right-hand locking screw (44).</li> <li>– Pull the left-hand/right-hand adjustable fence (26) all the way out.</li> </ul>
22.5°–47° (left/right)	≤ 48° (left/right)	<ul style="list-style-type: none"> <li>– Loosen the left-hand/right-hand locking screw (44).</li> <li>– Pull the left-hand/right-hand adjustable fence (26) all the way out.</li> <li>– Lift the adjustable fence upwards and out of the way.</li> </ul>

### Clamping the Workpiece (see figure I)

To ensure maximum safety while working, the workpiece must always be firmly clamped.

Do not saw workpieces that are too small to clamp firmly.

- Press the workpiece firmly against the fences (26) and (25).
- Insert the supplied screw clamp (41) into one of the corresponding holes (42).
- Adjust the threaded rod (40) of the screw clamp to the workpiece height.
- Tighten the threaded rod (40) to fix the workpiece in place.

## Adjusting mitre angles

### Setting Standard Mitre Angles (see figure J)

For quick and precise setting of commonly used mitre angles, detents (20) are provided on the saw table:

Left	Right
	0°
45°; 30°; 22.5°; 15°	15°; 22.5°; 30°; 45°

- Loosen the locking knob (16) if it is tightened.
- Pull the lever (17) and rotate the saw table (12) left or right to the required detent.
- Release the lever again. The lever must be felt to engage in the detent.
- Retighten the locking knob (16).

- Pull out the saw table extension (23) to the required length.
- Retighten the clamping screw (22) to fix the saw table extension.

The flexible connector system of the workpiece supports (24) enables a multitude of extension or expansion variants.

- Insert the workpiece support (24) into the openings (47) on the power tool or into the openings (48) of the second workpiece support as required.

### ► Never carry the power tool using the workpiece supports.

**Only use the transport devices to transport the power tool.**

### Setting Any Mitre Angle (see figure K)

The mitre angle can be set between 48° (left-hand side) and 48° (right-hand side).

- Loosen the locking knob (16) if it is tightened.
- Pull the lever (17) and at the same time press the locking clamp (15) until this clicks into the slot provided for it. This means the saw table can now move freely.
- Turn the saw table (12) left or right by the locking knob until the angle indicator (58) shows the required mitre angle.
- Retighten the locking knob (16).
- To loosen the lever (17) again (for setting standard mitre angles), pull the lever upwards. The locking clamp (15) springs back into its original position and the lever (17) can click back into the detents (20).

## Adjusting bevel angles

The bevel angle can be set between 47° (left-hand side) and 47° (right-hand side).

For quick and precise setting of frequently used bevel angles, fixed positions have been provided for the angles 0°, 22.5° and 45°.

- Make sure that the clamping wheel (45) is fitted (see "Fitting the Clamping Wheel (see figure A2)", page 20).

### Setting Standard Bevel Angles (see figure L)

- Pull the adjustable fences (26) all the way out or remove them completely.
- Release the clamping wheel (45).

- Pull the locking lever **(46)** out and engage it in the free running position.  
This enables you to use the complete bevel angle range (left and right).
- Swivel the tool arm left or right by the handle **(7)** until the angle indicator **(28)** shows the required standard bevel angle.
- Turn the locking lever **(46)**. The locking lever must be felt to engage in the position of the required standard bevel angle.
- Retighten the clamping wheel **(45)**.

#### Setting any bevel angle

- Pull the adjustable fences **(26)** all the way out or remove them completely.
- Release the clamping wheel **(45)**.
- Pull the locking lever **(46)** out and engage it in the free running position.  
This enables you to use the complete bevel angle range (left and right).
- Swivel the tool arm left or right by the handle **(7)** until the angle indicator **(28)** shows the required bevel angle.
- Retighten the clamping wheel **(45)**.

#### Start-up

- ▶ **Always tighten the locking knob (16) and the clamping wheel (45) firmly before sawing.** Otherwise the saw blade can become wedged in the workpiece.

#### Switching on (see figure M)

- To **switch on** the power tool, **first** slide the lock-off button **(5)** to the middle and **then** press and hold the on/off switch **(6)**.

**Note:** For safety reasons, the on/off switch **(6)** cannot be locked; it must remain pressed during the entire operation.

#### Switching off

- To **switch off**, release the on/off switch **(6)**.

#### Sawing

##### General sawing instructions

- ▶ **Always tighten the locking knob (16) and the clamping wheel (45) firmly before sawing.** Otherwise the saw blade can become wedged in the workpiece.
- ▶ **For all cuts, it must first be ensured that the saw blade at no time can come in contact with the fence, screw clamps or other machine parts. Remove any mounted auxiliary stops or adjust them accordingly.**

Protect the saw blade against impact and shock. Do not subject the saw blade to lateral pressure.

Only saw materials which are permitted within the scope of the intended use.

Do not saw warped/bent workpieces. The workpiece must always have a straight edge to face against the fence.

The free end of long and heavy workpieces must have something placed underneath it or be supported.

Make sure that the retracting blade guard operates properly and that it can move freely. The retracting blade guard must open when the tool arm is guided downwards. When the tool arm is guided upwards, the retracting blade guard must close again over the saw blade and lock in the uppermost position of the tool arm.

#### Position of the operator (see figure N)

- ▶ **Do not stand in line with the saw blade in front of the power tool. Always stand to the side of the saw blade.**

This protects your body against possible kickback.

- Keep hands, fingers and arms away from the rotating saw blade.
- Do not reach one hand across the other when in front of the tool arm.

#### Sawing with slide movement

- For cuts made using the slide device **(2)** (wide workpieces), loosen the locking screw **(1)** if it is tightened.
- Set the required mitre and/or bevel angle as necessary.
- Press the workpiece firmly against the fences **(25)** and **(26)**.
- Firmly clamp the workpiece as appropriate for its dimensions.
- Pull the tool arm away from the fence **(25)** until the saw blade is in front of the workpiece.
- Switch the power tool on.
- Slowly guide the tool arm downwards using the handle **(7)**.
- Now push the tool arm towards the fences **(25)** and **(26)** and saw through the workpiece with uniform feed.
- Switch off the power tool and wait until the saw blade has come to a complete stop.
- Slowly guide the tool arm upwards.

#### Sawing without slide movement (cutting off) (see figure O)

- For cuts without slide movement (small workpieces), loosen the locking screw **(1)** if it is tightened. Push the tool arm all the way towards the fence **(25)** and retighten the locking screw **(1)**.
- Set the required mitre and/or bevel angle as necessary.
- Press the workpiece firmly against the fences **(25)** and **(26)**.
- Firmly clamp the workpiece as appropriate for its dimensions.
- Switch the power tool on.
- Slowly guide the tool arm downwards using the handle **(7)**.
- Saw through the workpiece applying uniform feed.
- Switch off the power tool and wait until the saw blade has come to a complete stop.
- Slowly guide the tool arm upwards.

## Practical advice

### Marking the Cutting Line (see figure P)

Two laser beams indicate the cutting line of the saw blade. This allows for exact positioning of the workpiece for sawing, without having to open the retracting blade guard.

- To do this, switch on the laser beams by briefly pressing the on/off switch (6) without pressing the lock-off button (5).
- Position your mark on the workpiece between the two laser lines.

**Note:** Before sawing, check if the cutting line is still indicated correctly (see "Adjusting the laser", page 24). Vibrations during intensive use, for example, can cause the laser beams to become misaligned.

### Permissible workpiece dimensions

**Maximum** workpiece dimensions:

Mitre angle	Bevel angle	Height x width [mm]
0°	0°	70 x 305
45° (left/right)	0°	70 x 215
45° (left)	45° (left)	42 x 215
45° (right)	45° (right)	20 x 215
0°	45° (left)	42 x 305
0°	45° (right)	20 x 305

**Minimum** workpiece dimensions (= all workpieces that can be secured left or right of the saw blade using the supplied screw clamps (41)): 100 x 40 mm (length x width)

**Maximum cutting depth** (0°/0°): 70 mm

### Adjusting the Depth Stop (Sawing the Groove) (see figure Q)

The depth stop needs to be adjusted if you wish to saw a groove.

- Swivel the depth stop (39) forwards.
- Swivel the tool arm by the handle (7) into the required position.
- Turn the adjusting screw (38) until the end of the screw touches the depth stop (39).
- Slowly guide the tool arm upwards.

### Sawing workpieces of the same length (see figure R)

The left or right length stop (36) can be used for easily sawing workpieces of the same length.

- Turn the length stop (36) upwards.
- Set the saw table extension (23) to the required workpiece length.

### Special workpieces

When sawing curved or round workpieces, these must be especially secured against slipping. At the cutting line, there should be no gap between the workpiece, fence and saw table.

If necessary, you will need to manufacture special fixtures.

### Replacing insert plates (see figure S)

The insert plates (14) can become worn after prolonged use of the power tool.

Replace faulty insert plates.

- Bring the power tool into the work position.
- Unscrew the screws (54) using a commercially available cross-headed screwdriver and remove the old insert plate (14).
- Insert the new insert plate and screw the screws (54) in tight again.

### Adjusting the laser

**Note:** To test the laser function, the power tool must be connected to the power supply.

► **While adjusting the laser (e.g. when moving the tool arm), never activate the on/off switch.** Starting the power tool accidentally can lead to injuries.

- Bring the power tool into the work position.
- Turn the saw table (12) to the 0° detent (20). The lever (17) must be felt to engage in the detent.

To ensure precise cuts, the laser beams must be checked and adjusted as necessary after intensive use.

Experience and suitable special tools are required for this. A Bosch after-sales service point will handle this work quickly and reliably.

### Checking (see figure T1)

- Draw a straight cutting line on the workpiece.
- Slowly guide the tool arm downwards using the handle (7).
- Position the workpiece so that the teeth of the saw blade line up with the cutting line.
- Hold the workpiece in this position and slowly guide the tool arm back up.
- Clamp the workpiece.
- Turn on the laser beams using the switch (6) without pressing the lock-off button (5).

The laser beams must be at the same distance from the marked cutting line on the workpiece left and right along the entire length, even if the tool arm is being guided downwards.

### Removing the Laser Protection Cap (see figure T2)

- Unscrew the two screws (55) of the laser protection cap (8) using a hex key/slotted screwdriver (43) and remove the laser protection cap.

### Adjusting the Lateral Deviation when Moving the Tool Arm (see figures T3–T4)

- Loosen the fastening screw (56) (by approx. one to two turns).  
Do not unscrew the screw completely.
- Move the laser housing (57) right or left until the laser beams no longer laterally deviate when the tool arm moves downwards.
- Hold the laser housing (57) in this position and retighten the fastening screw (56).



- Reattach the laser protection cap (8).

### Checking and Adjusting the Basic Settings

To ensure precise cuts, the basic settings of the power tool must be checked and adjusted as necessary after intensive use.

Experience and suitable special tools are required for this.

A Bosch after-sales service point will handle this work quickly and reliably.

#### Aligning the mitre angle indicator (see figure U)

- Bring the power tool into the work position.
- Turn the saw table (12) to the 0° detent (20). The lever (17) must be felt to engage in the detent.

#### Checking

The angle indicator (58) must be in line with the 0° mark of the scale (21).

#### Setting

- Loosen the screw (59) using a cross-headed screwdriver and align the angle indicator along the 0° mark.
- Retighten the screw.

#### Aligning the Angle Indicator (Vertical) (see figure V)

- Bring the power tool into the work position.
- Release the clamping wheel (45).
- Pull the locking lever (46) out and set the bevel angle to 0° with the tool arm.
- Let go of the locking lever (46). The locking lever must be felt to engage in the position
- Retighten the clamping wheel (45).

#### Checking

The angle indicator (28) must be in line with the 0° mark of the scale (27).

#### Setting

- Loosen the screw (60) using a cross-headed screwdriver and align the angle indicator along the 0° mark.
- Retighten the screw.

### Transporting the Power Tool (see figure W)

- ▶ **Before carrying out any work on the power tool (e.g. maintenance, tool change etc.), remove the battery from the power tool.** There is risk of injury from unintentionally pressing the on/off switch.

Before transporting the power tool, the following steps must be carried out:

- Loosen the locking screw (1) if it is tightened. Pull the tool arm fully forwards and retighten the locking screw.
- Ensure that the depth stop (39) is swung all the way back and the adjusting screw (38) does not touch anything when you move the tool arm.
- Bring the power tool into the transport position.
- Remove all accessories that cannot be securely fitted to the power tool. If possible, transport unused saw blades in an enclosed container.
- Turn the transport handle (3) so that it is vertical.

- Carry the power tool by the transport handle (3) or hold it by the recessed handles (61) on the sides of the saw table.

- ▶ **Only use the transport devices to transport the power tool and never the protective devices or workpiece supports.**

## Maintenance and Service

### Maintenance and Cleaning

- ▶ **Before carrying out any work on the power tool (e.g. maintenance, tool change etc.), remove the battery from the power tool.** There is risk of injury from unintentionally pressing the on/off switch.

- ▶ **To ensure safe and efficient operation, always keep the power tool and the ventilation slots clean.**

The retracting blade guard must always be able to move freely and retract automatically. It is therefore important to keep the area around the retracting blade guard clean at all times.

Always remove dust and chips after working by blowing out with compressed air or using a brush.

Clean the guide roller (11) regularly.

### Noise reduction measures

Measures implemented by the manufacturer:

- Soft start
- Provided with a saw blade specially developed for noise reduction

Measures implemented by the operator:

- Low-vibration mounting on a stable work surface
- Use of saw blades with noise-reducing functions
- Regular cleaning of the saw blade and power tool

### After-Sales Service and Application Service

Our after-sales service responds to your questions concerning maintenance and repair of your product as well as spare parts. You can find explosion drawings and information on spare parts at: [www.bosch-pt.com](http://www.bosch-pt.com)

The Bosch product use advice team will be happy to help you with any questions about our products and their accessories.

In all correspondence and spare parts orders, please always include the 10-digit article number given on the nameplate of the product.

#### Malaysia

Robert Bosch Sdn. Bhd.(220975-V) PT/SMY

No. 8A, Jalan 13/6

46200 Petaling Jaya

Selangor

Tel.: (03) 79663194

Toll-Free: 1800 880188

Fax: (03) 79583838

E-Mail: [kiathoe.chong@my.bosch.com](mailto:kiathoe.chong@my.bosch.com)

[www.bosch-pt.com.my](http://www.bosch-pt.com.my)

**You can find further service addresses at:**

www.bosch-pt.com/serviceaddresses

**Transport**

The recommended lithium-ion batteries are subject to legislation on the transport of dangerous goods. The user can transport the batteries by road without further requirements.

When the batteries are shipped by third parties (e.g. air transport or forwarding agency), special requirements on packaging and labelling (e.g. ADR regulations) must be met. A dangerous goods expert must be consulted when preparing the items for shipping.

Dispatch battery packs only when the housing is undamaged. Tape or mask off open contacts and pack up the battery in such a manner that it cannot move around in the packaging. Please also observe the possibility of more detailed national regulations.

**Disposal**

Power tools, rechargeable batteries, accessories and packaging should be sorted for environmental-friendly recycling.



Do not dispose of power tools and batteries/rechargeable batteries into household waste!

**Battery packs/batteries:****Li-ion:**

Please observe the notes in the section on transport (see "Transport", page 26).

**Français****Consignes de sécurité****Avertissements de sécurité généraux pour l'outil électrique****AVERTISSEMENT**

**Lire tous les avertissements de sécurité, les instructions, les illustrations et les spécifications fournis avec cet outil électrique.**

Ne pas suivre les instructions énumérées ci-dessous peut provoquer un choc électrique, un incendie et/ou une blessure sérieuse.

**Conserver tous les avertissements et toutes les instructions pour pouvoir s'y reporter ultérieurement.**

Le terme "outil électrique" dans les avertissements fait référence à votre outil électrique alimenté par le secteur (avec cordon d'alimentation) ou votre outil électrique fonctionnant sur batterie (sans cordon d'alimentation).

**Sécurité de la zone de travail**

- ▶ **Conserver la zone de travail propre et bien éclairée.** Les zones en désordre ou sombres sont propices aux accidents.
- ▶ **Ne pas faire fonctionner les outils électriques en atmosphère explosive, par exemple en présence de liquides inflammables, de gaz ou de poussières.** Les outils électriques produisent des étincelles qui peuvent enflammer les poussières ou les fumées.
- ▶ **Maintenir les enfants et les personnes présentes à l'écart pendant l'utilisation de l'outil électrique.** Les distractions peuvent vous faire perdre le contrôle de l'outil.

**Sécurité électrique**

- ▶ **Il faut que les fiches de l'outil électrique soient adaptées au socle. Ne jamais modifier la fiche de quelque façon que ce soit. Ne pas utiliser d'adaptateurs avec des outils électriques à branchement de terre.** Des fiches non modifiées et des socles adaptés réduisent le risque de choc électrique.
- ▶ **Éviter tout contact du corps avec des surfaces reliées à la terre telles que les tuyaux, les radiateurs, les cuisinières et les réfrigérateurs.** Il existe un risque accru de choc électrique si votre corps est relié à la terre.
- ▶ **Ne pas exposer les outils électriques à la pluie ou à des conditions humides.** La pénétration d'eau à l'intérieur d'un outil électrique augmente le risque de choc électrique.
- ▶ **Ne pas maltraiter le cordon. Ne jamais utiliser le cordon pour porter, tirer ou débrancher l'outil électrique. Maintenir le cordon à l'écart de la chaleur, du lubrifiant, des arêtes vives ou des parties en mouvement.** Des cordons endommagés ou emmêlés augmentent le risque de choc électrique.
- ▶ **Lorsqu'on utilise un outil électrique à l'extérieur, utiliser un prolongateur adapté à l'utilisation extérieure.** L'utilisation d'un cordon adapté à l'utilisation extérieure réduit le risque de choc électrique.
- ▶ **Si l'usage d'un outil électrique dans un emplacement humide est inévitable, utiliser une alimentation protégée par un dispositif à courant différentiel résiduel (RCD).** L'usage d'un RCD réduit le risque de choc électrique.

**Sécurité des personnes**

- ▶ **Rester vigilant, regarder ce que vous êtes en train de faire et faire preuve de bon sens dans votre utilisation de l'outil électrique. Ne pas utiliser un outil électrique lorsque vous êtes fatigué ou sous l'emprise de drogues, de l'alcool ou de médicaments.** Un moment d'inattention en cours d'utilisation d'un outil électrique peut entraîner des blessures graves.
- ▶ **Utiliser un équipement de protection individuelle. Toujours porter une protection pour les yeux.** Les équipements de protection individuelle tels que les masques contre les poussières, les chaussures de sécurité antidérapantes, les casques ou les protections audi-

tives utilisés pour les conditions appropriées réduisent les blessures.

- ▶ **Éviter tout démarrage intempestif. S'assurer que l'interrupteur est en position arrêt avant de brancher l'outil au secteur et/ou au bloc de batteries, de le ramasser ou de le porter.** Porter les outils électriques en ayant le doigt sur l'interrupteur ou brancher des outils électriques dont l'interrupteur est en position marche est source d'accidents.
- ▶ **Retirer toute clé de réglage avant de mettre l'outil électrique en marche.** Une clé laissée fixée sur une partie tournante de l'outil électrique peut donner lieu à des blessures.
- ▶ **Ne pas se précipiter. Garder une position et un équilibre adaptés à tout moment.** Cela permet un meilleur contrôle de l'outil électrique dans des situations inattendues.
- ▶ **S'habiller de manière adaptée. Ne pas porter de vêtements amples ou de bijoux. Garder les cheveux et les vêtements à distance des parties en mouvement.** Des vêtements amples, des bijoux ou les cheveux longs peuvent être pris dans des parties en mouvement.
- ▶ **Si des dispositifs sont fournis pour le raccordement d'équipements pour l'extraction et la récupération des poussières, s'assurer qu'ils sont connectés et correctement utilisés.** Utiliser des collecteurs de poussière peut réduire les risques dus aux poussières.
- ▶ **Rester vigilant et ne pas négliger les principes de sécurité de l'outil sous prétexte que vous avez l'habitude de l'utiliser.** Une fraction de seconde d'inattention peut provoquer une blessure grave.

#### Utilisation et entretien de l'outil électrique

- ▶ **Ne pas forcer l'outil électrique. Utiliser l'outil électrique adapté à votre application.** L'outil électrique adapté réalise mieux le travail et de manière plus sûre au régime pour lequel il a été construit.
- ▶ **Ne pas utiliser l'outil électrique si l'interrupteur ne permet pas de passer de l'état de marche à arrêt et inversement.** Tout outil électrique qui ne peut pas être commandé par l'interrupteur est dangereux et il faut le réparer.
- ▶ **Débrancher la fiche de la source d'alimentation et/ou enlever le bloc de batteries, s'il est amovible, avant tout réglage, changement d'accessoires ou avant de ranger l'outil électrique.** De telles mesures de sécurité préventives réduisent le risque de démarrage accidentel de l'outil électrique.
- ▶ **Conserver les outils électriques à l'arrêt hors de la portée des enfants et ne pas permettre à des personnes ne connaissant pas l'outil électrique ou les présentes instructions de le faire fonctionner.** Les outils électriques sont dangereux entre les mains d'utilisateurs novices.
- ▶ **Observer la maintenance des outils électriques et des accessoires. Vérifier qu'il n'y a pas de mauvais alignement ou de blocage des parties mobiles, des pièces**

**cassées ou toute autre condition pouvant affecter le fonctionnement de l'outil électrique. En cas de dommages, faire réparer l'outil électrique avant de l'utiliser.** De nombreux accidents sont dus à des outils électriques mal entretenus.

- ▶ **Garder affûtés et propres les outils permettant de couper.** Des outils destinés à couper correctement entretenus avec des pièces coupantes tranchantes sont moins susceptibles de bloquer et sont plus faciles à contrôler.
- ▶ **Utiliser l'outil électrique, les accessoires et les lames etc., conformément à ces instructions, en tenant compte des conditions de travail et du travail à réaliser.** L'utilisation de l'outil électrique pour des opérations différentes de celles prévues peut donner lieu à des situations dangereuses.
- ▶ **Il faut que les poignées et les surfaces de préhension restent sèches, propres et dépourvues d'huiles et de graisses.** Des poignées et des surfaces de préhension glissantes rendent impossibles la manipulation et le contrôle en toute sécurité de l'outil dans les situations inattendues.

#### Utilisation des outils fonctionnant sur batteries et précautions d'emploi

- ▶ **Ne recharger qu'avec le chargeur spécifié par le fabricant.** Un chargeur qui est adapté à un type de bloc de batteries peut créer un risque de feu lorsqu'il est utilisé avec un autre type de bloc de batteries.
- ▶ **N'utiliser les outils électriques qu'avec des blocs de batteries spécifiquement désignés.** L'utilisation de tout autre bloc de batteries peut créer un risque de blessure et de feu.
- ▶ **Lorsqu'un bloc de batteries n'est pas utilisé, le maintenir à l'écart de tout autre objet métallique, par exemple trombones, pièces de monnaie, clés, clous, vis ou autres objets de petite taille qui peuvent donner lieu à une connexion d'une borne à une autre.** Le court-circuitage des bornes d'une batterie entre elles peut causer des brûlures ou un feu.
- ▶ **Dans de mauvaises conditions, du liquide peut être éjecté de la batterie; éviter tout contact. En cas de contact accidentel, nettoyer à l'eau. Si le liquide entre en contact avec les yeux, rechercher en plus une aide médicale.** Le liquide éjecté des batteries peut causer des irritations ou des brûlures.
- ▶ **Ne pas utiliser un bloc de batteries ou un outil fonctionnant sur batteries qui a été endommagé ou modifié.** Les batteries endommagées ou modifiées peuvent avoir un comportement imprévisible provoquant un feu, une explosion ou un risque de blessure.
- ▶ **Ne pas exposer un bloc de batteries ou un outil fonctionnant sur batteries au feu ou à une température excessive.** Une exposition au feu ou à une température supérieure à 130 °C peut provoquer une explosion.
- ▶ **Suivre toutes les instructions de charge et ne pas charger le bloc de batteries ou l'outil fonctionnant sur**

**batteries hors de la plage de températures spécifiée dans les instructions.** Un chargement incorrect ou à des températures hors de la plage spécifiée de températures peut endommager la batterie et augmenter le risque de feu.

#### Maintenance et entretien

- ▶ **Faire entretenir l'outil électrique par un réparateur qualifié utilisant uniquement des pièces de rechange identiques.** Cela assure le maintien de la sécurité de l'outil électrique.
- ▶ **Ne jamais effectuer d'opération d'entretien sur des blocs de batteries endommagés.** Il convient que l'entretien des blocs de batteries ne soit effectué que par le fabricant ou les fournisseurs de service autorisés.

#### Avertissements de sécurité pour scies à onglets

- ▶ **Les scies à onglets sont destinées à couper le bois ou des produits assimilés, et ne peuvent pas être utilisées avec une meule tronçonneuse pour la coupe de matériaux ferreux tels que des barres, tiges, goujons, etc.** La poussière d'abrasif provoque le coincement des pièces mobiles telles que le protecteur inférieur. Les étincelles générées par une coupe abrasive provoquent l'inflammation du protecteur inférieur, de l'insert de saignée et des autres pièces en plastique.
- ▶ **Utiliser dans toute la mesure du possible des presseurs pour soutenir la pièce. En cas de soutien de la pièce à la main, il faut toujours maintenir la main à une distance d'au moins 100mm de chaque côté de la lame de scie. Ne pas utiliser cette scie pour couper des pièces qui sont trop petites pour pouvoir être serrées en toute sécurité ou tenues à la main.** Une main placée trop près de la lame de scie augmente le risque de blessure par contact avec la lame.
- ▶ **La pièce doit être fixe et serrée ou maintenue contre le guide et la table. Ne jamais avancer la pièce dans la lame ou ne jamais couper "à main levée".** Des pièces non maintenues ou mobiles peuvent être éjectées à des vitesses élevées et provoquer de ce fait des blessures.
- ▶ **Scier la pièce en exerçant une poussée sur la scie. Ne pas scier la pièce en exerçant une traction sur la scie. Pour effectuer une coupe, lever la tête d'abattage et la placer au-dessus de la pièce sans la couper, lancer le moteur, appuyer sur la tête d'abattage et scier la pièce en exerçant une poussée sur la scie.** Une opération de coupe tirante est susceptible de provoquer le déplacement de la lame de scie vers le sommet de la pièce et de propulser violemment ainsi l'assemblage de la lame vers l'opérateur.
- ▶ **Ne jamais croiser la main avec la ligne de coupe prévue que ce soit devant ou derrière la lame de scie.** Soutenir la pièce "main croisée", c'est-à-dire en maintenant la pièce du côté droit de la lame de scie avec la main gauche ou inversement est très dangereux.
- ▶ **Ne pas approcher les mains de la partie arrière du guide à une distance de moins de 100 mm par rapport**

**à chaque côté de la lame de scie, afin de retirer des copeaux de bois, ou pour toute autre raison, et ce, alors que la lame tourne.** La proximité de la lame de scie en rotation et de la main peut ne pas être évidente et peut risquer de provoquer de graves blessures.

- ▶ **Examiner la pièce avant de la couper. Si la pièce est courbée ou gauchie, la serrer avec la face courbée extérieure dirigée vers le guide. Toujours s'assurer de l'absence d'espace entre la pièce, le guide et la table le long de la ligne de coupe.** Les pièces pliées ou gauchies peuvent se tordre ou se décaler et peuvent entraîner un blocage de la lame de scie en rotation lors de la coupe. Il convient que la pièce ne comporte aucun clou ni aucun corps étranger
- ▶ **Ne pas utiliser la scie tant que la table n'est pas dégagée de tous les outils, copeaux de bois, etc., à l'exception de la pièce.** Les petits débris, les morceaux de bois détachés ou d'autres objets en contact avec la lame en rotation peuvent être éjectés avec une vitesse élevée.
- ▶ **Ne couper qu'une seule pièce à la fois.** Plusieurs pièces empilées ne peuvent être serrées ou entourées de manière appropriée et peuvent bloquer la lame ou se décaler lors de la coupe.
- ▶ **S'assurer que la scie à onglets est montée ou placée sur une surface de travail solide de niveau avant utilisation.** Une surface de travail solide de niveau réduit le risque d'instabilité de la scie à onglets.
- ▶ **Planifier votre travail. À chaque changement de réglage de l'angle de biseau ou d'onglet, s'assurer que le guide réglable est réglé correctement afin de soutenir la pièce, et n'affecte pas la lame ou le système de protection.** Sans mettre l'outil en position "MARCHE" et sans aucune pièce placée sur la table, déplacer la lame de scie en simulant une coupe complète afin de s'assurer de l'absence de tout obstacle ou de tout risque de sectionnement du guide.
- ▶ **Prévoir un support approprié tel que des rallonges de table, des chevalets de sciage, etc. pour une pièce plus large ou plus longue que le plateau de la table.** Des pièces plus longues ou plus larges que la table de la scie à onglets peuvent basculer si elles ne sont pas soutenues de manière sûre. Un basculement de la pièce coupée ou de la pièce à couper peut soulever le protecteur inférieur ou la pièce coupée ou à couper peut être éjectée par la lame en rotation.
- ▶ **Ne pas demander à une tierce personne de servir de rallonge de table ou de support supplémentaire.** Un support instable de la pièce peut entraîner le blocage de la lame ou le décalage de la pièce lors de la coupe, vous entraînant, de même que l'assistant, dans la lame en rotation.
- ▶ **La pièce coupée ne doit pas être coincée ou comprimée par quelque moyen que ce soit contre la lame de scie en rotation.** Si elle devait être enserrée, c'est-à-dire à l'aide de butées longitudinales, la pièce coupée pourrait être coincée contre la lame et être éjectée violemment.

- ▶ **Toujours utiliser un presseur ou un appareil de serrage conçu pour soutenir correctement tout matériau rond tel que des tiges ou des tubes.** Les tiges ont tendance à rouler lors de leur coupe, ce qui provoque une "action de morsure" de la lame et entraîne la pièce et la main dans ladite lame.
- ▶ **Laisser la lame atteindre sa vitesse maximale avant qu'elle n'entre en contact avec la pièce.** Cela réduit le risque d'éjection de la pièce.
- ▶ **Lorsque la pièce ou la lame est coincée, mettre la scie à onglets en position arrêt. Attendre l'arrêt complet de toutes les parties mobiles et débrancher la prise de la source d'alimentation et/ou retirer le bloc-piles. Libérer ensuite le matériau coincé.** Un sciage continu avec une pièce coincée peut entraîner une perte de contrôle ou endommager la scie à onglets.
- ▶ **Une fois la coupe achevée, relâcher l'interrupteur de puissance, abaisser la tête d'abattage et attendre l'arrêt de la lame avant de retirer la pièce coupée.** Il est dangereux d'approcher la main de la lame qui continue de tourner.
- ▶ **Maintenir la poignée fermement lors de la réalisation d'une coupe incomplète ou lors du relâchement de l'interrupteur de puissance avant que la tête d'abattage ne soit totalement à l'arrêt.** Le freinage de la scie peut provoquer une saccade descendante de la tête d'abattage, entraînant de ce fait un risque de blessure.
- ▶ **Ne relâchez pas la poignée quand la tête de la scie se trouve dans la position inférieure. Ramenez toujours la tête de la scie dans la position supérieure avec la main.** Il y a un risque de blessure quand la tête de la scie bouge de façon incontrôlée.
- ▶ **Veillez à une bonne propreté du poste de travail.** Les mélanges de matériau sont particulièrement dangereux. La poussière de métal fine peut s'enflammer ou exploser.
- ▶ **N'utilisez pas de lames émoussées, fissurées, déformées ou endommagées. Les lames aux dents émoussées ou mal alignées génèrent lors de la coupe une fente trop étroite. Il en résulte une friction anormalement élevée ainsi qu'un plus grand risque de coincement de la lame, de rebond ou de contrecoup.**
- ▶ **N'utilisez pas de lames en acier HSS (acier rapide).** De telles lames se cassent facilement.
- ▶ **Toujours utiliser des lames de scie de dimensions et de forme appropriées des alésages centraux (lame de scie au diamant contre lame de scie ronde).** Des lames qui ne sont pas conformes aux matériels de montage de la scie seront excentrées, provoquant une perte de contrôle.
- ▶ **N'essayez jamais d'enlever des résidus de coupe, copeaux de bois ou autre de la zone de coupe pendant le fonctionnement de l'outil électroportatif.** Amenez le bras de l'outil en position de repos puis éteignez l'outil électroportatif.

- ▶ **Après avoir utilisé la scie, ne touchez pas la lame avant qu'elle ne soit refroidie.** La lame de scie s'échauffe fortement en cours d'utilisation.
- ▶ **Si l'accu est endommagé ou utilisé de manière non conforme, des vapeurs peuvent s'échapper. L'accu peut brûler ou exploser.** Ventilez le local et consultez un médecin en cas de malaise. Les vapeurs peuvent entraîner des irritations des voies respiratoires.
- ▶ **N'ouvrez pas l'accu.** Risque de court-circuit.
- ▶ **Les objets pointus comme un clou ou un tournevis et le fait d'exercer une force extérieure sur le boîtier risque d'endommager l'accu.** Il peut en résulter un court-circuit interne et l'accu risque de s'enflammer, de dégager des fumées, d'exploser ou de surchauffer.
- ▶ **N'utilisez l'accu que sur les produits du fabricant.** Tout risque de surcharge dangereuse sera alors exclu.



**Conservez la batterie à l'abri de la chaleur, en la protégeant p. ex. de l'ensoleillement direct, du feu, de la saleté, de l'eau et de l'humidité.** Il existe un risque d'explosion et de courts-circuits.



- ▶ **L'outil électroportatif est fourni avec une étiquette d'avertissement laser (voir le tableau « Symboles et leur signification »).**
- ▶ **Si le texte de l'étiquette d'avertissement laser n'est pas dans votre langue, recouvrez l'étiquette par l'autocollant dans votre langue qui est fourni, avant de procéder à la première mise en service.**
- ▶ **Assurez-vous que les étiquettes d'avertissement qui se trouvent sur l'outil électroportatif soient toujours lisibles.**



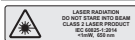
**Ne dirigez jamais le faisceau laser vers des personnes ou des animaux et ne regardez jamais dans le faisceau laser projeté par l'appareil ou réfléchi.** Vous risqueriez d'éblouir des personnes, de provoquer des accidents ou de causer des lésions oculaires.

- ▶ **Au cas où le faisceau laser frappe un œil, fermez immédiatement les yeux et déplacez la tête pour l'éloigner du faisceau. N'apportez jamais de modifications au dispositif laser.**
- ▶ **N'apportez aucune modification au dispositif laser.** Vous pouvez faire usage sans danger des possibilités de réglage décrites sans cette notice.
- ▶ **Ne laissez pas des enfants utiliser l'outil électroportatif sans surveillance.** Ils risqueraient de diriger le faisceau vers leurs propres yeux ou d'éblouir d'autres personnes par inadvertance.

## Symboles

Les symboles suivants peuvent être importants pour l'utilisation de votre outil électroportatif. Veuillez mémoriser les symboles et leur signification. L'interprétation correcte des symboles vous permettra de mieux utiliser votre outil électroportatif et en toute sécurité.

## Symboles et leur signification



**Rayonnement laser**  
**Ne regardez jamais directement dans le faisceau laser**  
**Laser de classe 2**



**N'approchez en aucun cas les mains de la zone de sciage pendant le fonctionnement de l'outil électroportatif.** Il y a risque de blessure grave en cas de contact avec la lame de scie.



**Portez un masque à poussière.**



**Portez toujours des lunettes de protection.**



**Portez une protection auditive.** L'exposition aux bruits peut provoquer une perte de l'audition.



**Zone dangereuse ! Gardez si possible les mains, doigts ou bras éloignés de cette zone.**



Lorsque vous transportez l'outil électroportatif, ne le tenez que par les endroits indiqués (poignées encastrées) ou par la poignée de transport.



Pour effectuer des coupes biaisées, il faut pousser vers l'extérieur les butées réglables ou les retirer complètement.



Respectez les dimensions prescrites de la lame de scie (diamètre de lame **D**, diamètre d'alésage central **d**). Le diamètre de l'alésage central **d** doit correspondre exactement à celui de la broche (il ne doit pas y avoir de jeu). Lorsqu'il est nécessaire d'utiliser des bagues de réduction, veillez à ce que les dimensions de la bague de réduction soient adaptées à l'épaisseur du corps de lame, au diamètre de l'alésage central de la lame et au diamètre de la broche de l'outil. Utilisez dans la mesure du possible les bagues de réduction fournies avec la lame.

Le diamètre de lame **D** doit correspondre à l'indication du pictogramme.

## Symboles et leur signification

Voir aussi « Dimensions admissibles des lames de scie » dans la section « Caractéristiques techniques ».

## Description des prestations et du produit



**Lisez attentivement toutes les instructions et consignes de sécurité.** Le non-respect des instructions et consignes de sécurité peut provoquer un choc électrique, un incendie et/ou entraîner de graves blessures.

Référez-vous aux illustrations qui se trouvent à l'avant de la notice d'utilisation.

## Utilisation conforme

Destiné à un usage stationnaire, l'outil électroportatif est conçu pour effectuer des coupes droites longitudinales et transversales dans le bois. Il permet de régler des angles de  $-48^\circ$  à  $+48^\circ$  dans le plan horizontal (coupes d'onglets) et des angles d'inclinaison de  $47^\circ$  (vers la gauche) à  $47^\circ$  (vers la droite) dans le plan vertical (coupes biaisées).

La puissance de l'outil électroportatif est conçue pour le sciage du bois tendre et du bois dur ainsi que pour les panneaux agglomérés et les panneaux de fibres.

L'outil électroportatif peut aussi servir à scier de l'aluminium et des matières plastiques à condition d'utiliser des lames de scie appropriées.

## Éléments constitutifs

La numérotation des éléments se réfère à la représentation de l'outil électroportatif sur la page graphique.

- (1) Vis de serrage du dispositif radial
- (2) Dispositif radial
- (3) Poignée de transport
- (4) Capot de protection
- (5) Verrouillage d'enclenchement de l'interrupteur Marche/Arrêt
- (6) Bouton Marche/Arrêt
- (7) Poignée
- (8) Cache de protection du laser
- (9) Orifice de sortie du faisceau laser
- (10) Capot de protection à mouvement pendulaire
- (11) Galet
- (12) Table de sciage
- (13) Orifices de fixation
- (14) Pare-éclats
- (15) Patte de blocage
- (16) Bouton de blocage d'angles d'onglet (plan horizontal)

- (17) Levier de pré réglage d'angle d'onglet (plan horizontal)
- (18) Protection anti-basculement
- (19) Étiquette d'avertissement laser
- (20) Encoches pour angles d'onglet standards (plan horizontal)
- (21) Échelle graduée pour angles d'onglet (plan horizontal)
- (22) Vis de serrage de la rallonge de table de sciage
- (23) Rallonge de table de sciage
- (24) Appui de pièce (emboîtable de manière flexible)
- (25) Butée fixe
- (26) Butée réglable
- (27) Échelle graduée d'angles d'inclinaison (coupes biaisées dans le plan vertical)
- (28) Indicateur d'angle d'inclinaison (coupes biaisées)
- (29) Éjecteur de copeaux
- (30) Lame de scie
- (31) Blocage de broche
- (32) Bouton de déverrouillage d'accu
- (33) Accu
- (34) Sécurité de transport
- (35) Étrier anti-basculement
- (36) Butée longitudinale
- (37) Sac à poussière
- (38) Vis d'ajustage de la butée de profondeur
- (39) Butée de profondeur
- (40) Tige filetée
- (41) Serre-joint
- (42) Alésages pour serre-joint
- (43) Clé six pans mâle/tournevis plat
- (44) Vis de blocage de la butée réglable
- (45) Roue de serrage pour angles d'inclinaison (coupes biaisées)
- (46) Levier de blocage d'angles d'inclinaison (coupes biaisées)
- (47) Logement pour appui de pièce (sur l'outil électroportatif)
- (48) Logement pour second appui de pièce (sur appui de pièce)
- (49) Tige filetée
- (50) Adaptateur d'aspiration
- (51) Vis à six pans creux pour fixation de la lame
- (52) Flasque de serrage
- (53) Flasque de serrage intérieur
- (54) Vis de fixation pour pare-éclats
- (55) Vis du cache de protection du laser
- (56) Vis de fixation du carter du laser
- (57) Boîtier du laser
- (58) Indicateur d'angle d'onglet (plan horizontal)
- (59) Vis d'indicateur d'angle (coupes d'onglet dans plan horizontal)
- (60) Vis pour indicateur d'angle d'inclinaison (coupes biaisées dans le plan vertical)
- (61) Poignées encastrées

## Caractéristiques techniques

Scie à onglets radiale sans-fil		GCM 18V-216 D	GCM 18V-216 D
Référence		<b>3 601 M51 0..</b>	<b>3 601 M51 0B. 3 601 M51 08.</b>
Tension nominale	V=	18	18
Régime à vide <sup>A)</sup>	tr/min	5 000	5 000
Type de laser	nm	650	650
	mW	< 1	< 1
Classe laser		2	2
Poids <sup>B)</sup>	kg	16,4–17,4	16,4–17,4
Températures ambiantes recommandées pour la charge	°C	0 ... +35	0 ... +35
Températures ambiantes admissibles pendant l'utilisation <sup>C)</sup> et pour le stockage	°C	-20 ... +50	-20 ... +50
Batteries recommandées		GBA 18V... ProCORE18V...	GBA 18V... ProCORE18V...
Chargeurs recommandés		GAL 18... GAX 18... GAL 36...	GAL 18... GAX 18... GAL 36...

## Dimensions admissibles des lames de scie

Scie à onglets radiale sans-fil		GCM 18V-216 D	GCM 18V-216 D
Diamètre de lame <b>D</b>	mm	216	216
Épaisseur de corps de lame	mm	1,2–1,8	1,2–1,8
Diamètre d'alésage central <b>d</b>	mm	30	25,4

A) Mesuré à 20–25 °C avec accu **ProCORE18V 8.0Ah**.

B) Dépend de l'accu utilisé

C) Performances réduites à des températures < 0 °C

Dimensions de pièces admissibles (maxi/mini) : (voir « Dimensions de pièce maximales admissibles », Page 37)

Les valeurs peuvent varier selon le produit, les conditions d'utilisation et les conditions ambiantes. Pour plus d'informations, rendez-vous sur [www.bosch-professional.com/wac](http://www.bosch-professional.com/wac).

### Informations concernant le niveau sonore

Valeurs d'émissions sonores déterminées conformément à **EN IEC 62841-3-9**.

Le niveau sonore pondéré A de l'outil électroportatif est typiquement de : niveau de pression acoustique **93 dB(A)** ; niveau de puissance acoustique **107 dB(A)**. Incertitude **K = 3 dB**.

#### Portez un casque antibruit !

Le niveau d'émission sonore indiqué dans cette notice d'utilisation a été mesuré à l'aide d'un procédé de mesure normalisé et peut être utilisé pour effectuer une comparaison entre outils électroportatifs. Elle peut aussi servir de base à une estimation préliminaire du niveau sonore.

Le niveau d'émission sonore s'applique pour les utilisations principales de l'outil électroportatif. Si l'outil électroportatif est utilisé pour d'autres applications, avec d'autres accessoires de travail ou sans avoir fait l'objet d'un entretien régulier, la valeur d'émission sonore peut différer. Il peut en résulter un niveau sonore nettement plus élevé pendant toute la durée de travail.

Pour une estimation précise du niveau sonore, il faut aussi prendre en considération les périodes pendant lesquelles l'outil est éteint ou bien en marche sans être vraiment en action. Il peut en résulter au final un niveau sonore nettement plus faible pendant toute la durée de travail.

## Accu

**Bosch** vend ses outils électroportatifs sans-fil aussi sans accu. Il est indiqué sur l'emballage si un accu est fourni ou non avec l'outil électroportatif.

### Recharge de l'accu

► **N'utilisez que les chargeurs indiqués dans les Caractéristiques techniques.** Seuls ces chargeurs sont adaptés à l'accu Lithium-Ion de votre outil électroportatif.

**Remarque :** Les dispositions internationales en vigueur pour le transport de marchandises obligent à livrer les accus Lithium-Ion partiellement chargés. Pour que les accus soient pleinement performants, chargez-les complètement avant leur première utilisation.

### Mise en place de l'accu

Insérez l'accu dans le compartiment à accu jusqu'à ce qu'il s'enclenche.

### Retrait de l'accu



Pour retirer l'accu, appuyez sur le bouton de déverrouillage de l'accu et sortez l'accu de l'outil électroportatif. **Ne forcez pas.**

L'accu dispose d'un double verrouillage permettant d'éviter qu'il tombe si vous appuyez par mégarde sur le bouton de déverrouillage d'accu. Tant que l'accu est en place dans l'outil électroportatif, un ressort le maintient en position.

### Indicateur de niveau de charge de l'accu

Remarque : Tous les types d'accu ne possèdent pas d'indicateur d'état de charge.

Les LED vertes de l'indicateur d'état de charge indiquent le niveau de charge de la batterie. Pour des raisons de sécurité, il n'est possible d'afficher l'état de charge que quand l'outil électroportatif est à l'arrêt.

Pour afficher le niveau de charge, appuyez sur le bouton de l'indicateur de niveau de charge  ou . L'affichage du niveau de charge est également possible après retrait de l'accu.

Si aucune LED ne s'allume après avoir appuyé sur le bouton de l'indicateur de niveau de charge, la batterie est défectueuse et doit être remplacée.

#### Batterie de type GBA 18V...



LED	Capacité
Allumage permanent en vert de 3 LED	60–100 %
Allumage permanent en vert de 2 LED	30–60 %
Allumage permanent en vert de 1 LED	5–30 %
Clignotement en vert de 1 LED	0–5 %

#### Batterie de type ProCORE18V...



LED	Capacité
Allumage permanent en vert de 5 LED	80–100 %
Allumage permanent en vert de 4 LED	60–80 %
Allumage permanent en vert de 3 LED	40–60 %
Allumage permanent en vert de 2 LED	20–40 %



LED	Capacité
Allumage permanent en vert de 1 LED	5–20 %
Clignotement en vert de 1 LED	0–5 %

## Indications pour une utilisation optimale de la batterie

Protégez l'accu de l'humidité et de l'eau.

Ne stockez l'accu que dans la plage de températures de –20 à 50 °C. Ne laissez par ex. pas l'accu dans une voiture en plein été.

Nettoyez de temps en temps les orifices de ventilation de l'accu à l'aide d'un pinceau doux, propre et sec.

Une baisse notable de l'autonomie de l'accu au fil des recharges effectuées indique que l'accu est arrivé en fin de vie et qu'il doit être remplacé.

Respectez les indications concernant l'élimination.

## Montage

- **Retirez systématiquement la batterie avant toute intervention sur l'outil électroportatif (maintenance, changement d'accessoire, etc.).** Il y a sinon risque de blessure si vous appuyez par mégarde sur l'interrupteur Marche/Arrêt.

### Accessoires fournis



Référez-vous pour cela à la représentation du contenu, dans les pages graphiques qui se trouvent au début de la notice d'utilisation.

Avant la première mise en service de l'outil électroportatif, vérifiez qu'il ne manque aucune des pièces indiquées ci-dessous :

- Scie à onglets radiale avec lame de scie montée
- Roue de serrage (45)
- Butée réglable (26)
- Serre-joint (41)
- Clé six pans mâle/tournevis plat (43)
- Sac à poussière (37)
- Appuis de pièce (24) (2 unités)

**Remarque :** Assurez-vous que l'outil électroportatif n'est pas endommagé.

Avant d'utiliser l'outil électroportatif, assurez-vous que les dispositifs de protection ou pièces légèrement endommagées peuvent bien remplir leur fonction. Contrôlez si les pièces mobiles fonctionnent correctement sans coincer et assurez-vous qu'aucune pièce n'est endommagée. Pour garantir un fonctionnement correct, toutes les pièces doivent être correctement montées et en parfait état.

Faites réparer ou remplacer les dispositifs de protection et pièces endommagés dans un centre de service après-vente agréé.

## Montage des pièces fournies

- Sortez avec précaution de l'emballage toutes les pièces fournies.
- Retirez intégralement le matériau d'emballage qui enveloppe l'outil électroportatif et les accessoires fournis.
- Pour vous faciliter le montage des pièces et éléments fournis, assurez-vous que l'outil électroportatif se trouve en position de transport.

### Montage des appuis de pièce (voir figure A1)

Les appuis de pièce (24) peuvent être positionnés du côté gauche, du côté droit ou à l'avant de l'outil électroportatif. Le système d'emboîtement pratique offre de nombreuses possibilités d'extension vers les côtés ou vers l'avant (voir figure G).

- Emboîtez au gré des besoins les appuis de pièce (24) dans les logements (47) de l'outil électroportatif ou dans les logements (48) du second appui de pièce.

- **Ne portez jamais l'outil électroportatif en le saisissant au niveau des appuis de pièce.**

**Pour transporter l'outil électroportatif, ne le saisissez qu'au niveau des dispositifs de transport.**

### Montage de la roue de serrage (voir figure A2)

La roue de serrage (45) sert à bloquer l'angle d'inclinaison réglé pour une grande sécurité d'utilisation.

- Dévissez l'écrou hexagonal de la tige filetée (49).
- Vissez dans le sens horaire la roue de serrage (45) sur la tige filetée (49) et serrez-la.

### Montage de la butée réglable (voir figure A3)

Il convient de monter la butée réglable (26) avant de scier.

- Glissez à la droite de la lame la butée réglable (26) dans la rainure prévue à cet effet et serrez la vis de blocage (44).

La partie biseautée de la butée doit être orientée vers l'intérieur, en direction de la lame.

## Montage stationnaire ou flexible

- **Pour pouvoir être utilisé en toute sécurité, l'outil électroportatif doit être installé sur une surface de travail plane et stable (par ex. un établi) avant son utilisation.**

### Montage sur un plan de travail (voir figure B1–B2)

- À l'aide de vis appropriées, fixez l'outil électroportatif sur le plan de travail. Introduisez pour cela les vis dans les alésages (13).

ou

- Serrez les pieds de l'outil électroportatif sur la surface de travail à l'aide de serre-joints du commerce.

### Montage sur un support de travail Bosch

Dotés de pieds réglables, les supports de travail GTA de Bosch confèrent à l'outil électroportatif une bonne stabilité, quelle que soit la planéité du sol. Ils disposent par ailleurs de tablettes d'appui pour soutenir les pièces longues.

- **Lisez attentivement les instructions et consignes de sécurité jointes au support de travail.** Le non-respect

des instructions et consignes de sécurité peut entraîner un choc électrique, un incendie et/ou de graves blessures.

- ▶ **Montez correctement le support de travail avant d'installer l'outil électroportatif.** Un montage exact est primordial pour disposer d'une bonne stabilité.
- Installez l'outil électroportatif dans sa position de transport sur le support de travail.

#### Installation flexible (pas conseillé !) (voir figure B3)

Au cas où il n'est pas possible d'installer l'outil électroportatif sur une surface plane et stable, il convient d'utiliser pour le montage le pied anti-basculement.

- ▶ **Sans le pied anti-basculement, l'outil électroportatif n'est pas stable et peut se renverser surtout lors de sciages avec de grands angles d'onglet et/ou d'inclinaison.**
- Sortez ou rentrez le pied anti-basculement (18) en le tournant, jusqu'à ce que l'outil électroportatif se trouve dans une position stable sur la surface de travail.

#### Aspiration de poussières/de copeaux

Les poussières de matériaux tels que peintures contenant du plomb, certains bois, minéraux ou métaux, peuvent être nuisibles à la santé. Le contact avec les poussières ou leur inhalation peut entraîner des réactions allergiques et/ou des maladies respiratoires auprès de l'utilisateur ou des personnes se trouvant à proximité.

Certaines poussières telles que les poussières de chêne ou de hêtre sont considérées comme cancérigènes, surtout en association avec des additifs pour le traitement du bois (chromate, lasure). Les matériaux contenant de l'amiante ne doivent être travaillés que par des personnes qualifiées.

- Si possible, utilisez un dispositif d'aspiration des poussières approprié au matériau.
- Veillez à bien aérer la zone de travail.
- Il est recommandé de porter un masque respiratoire avec un niveau de filtration de classe P2.

Respectez les règlements spécifiques aux matériaux à traiter en vigueur dans votre pays.

- ▶ **Évitez toute accumulation de poussières sur le lieu de travail.** Les poussières peuvent facilement s'enflammer.

L'aspiration des poussières/des copeaux peut être bloquée par de la poussière, des copeaux ou des fragments de pièce.

- Mettez l'outil électroportatif en marche et retirez la batterie.
- Attendez l'arrêt total de la lame de scie.
- Déterminez la cause du blocage et éliminez-la.

#### Aspiration avec sac à poussières (voir figure C)

Pour collecter facilement les copeaux, utilisez le sac à poussière (37) fourni.

- Positionnez la poignée de transport (3) à la verticale.
- Insérez le sac à poussière (37) dans l'adaptateur d'aspiration (50) et tournez-le de manière à ce que l'ergot du sac à poussière s'enclenche dans l'évidement de l'adaptateur d'aspiration.

Pendant le sciage, le sac à poussière ne doit jamais entrer en contact avec les parties mobiles de la scie.

Pensez à vider le sac à poussière avant qu'il ne soit trop plein.

- ▶ **Contrôlez et nettoyez le sac à poussières après chaque utilisation.**
- ▶ **Pour écarter tout risque d'incendie, retirez le sac à poussières lorsque vous sciez de l'aluminium.**

#### Aspiration au moyen d'un aspirateur

Pour une aspiration plus efficace, il est également possible de raccorder à l'adaptateur d'aspiration (50) un tuyau d'aspirateur (Ø 35 mm).

- Raccordez le tuyau d'aspirateur à l'adaptateur d'aspiration (50).

L'aspirateur doit être conçu pour le type de matériau à scier. Pour l'aspiration de poussières particulièrement nocives, cancérigènes ou sèches, utilisez un aspirateur spécial.

#### Changement de la lame de scie (voir figure D1–D4)

- ▶ **Retirez systématiquement la batterie avant toute intervention sur l'outil électroportatif (maintenance, changement d'accessoire, etc.).** Il y a sinon risque de blessure si vous appuyez par mégarde sur l'interrupteur Marche/Arrêt.
- ▶ **Portez toujours des gants de protection pour monter la lame de scie.** En touchant la lame de scie, vous risquez de vous blesser.

N'utilisez que des lames de scie dont la vitesse de rotation maximale admissible est supérieure au régime à vide de votre outil électroportatif.

N'utilisez que des lames de scie conformes aux caractéristiques techniques indiquées dans la présente notice d'utilisation, qui ont été contrôlées selon la norme EN 847-1 et qui disposent du marquage correspondant.

N'utilisez que des lames de scie recommandées par le fabricant de cet outil électroportatif et adaptées au type de matériau à découper, de façon à éviter toute surchauffe des dents de scie.

#### Retrait de la lame de scie

- Placez l'outil électroportatif dans la position de travail.
- Basculez le capot de protection à mouvement pendulaire (10) vers l'arrière et maintenez-le dans cette position.
- Tournez la vis à six pans creux (51) avec la clé mâle pour vis à six pans creux (6 mm) (43) tout en actionnant le blocage de broche (31) jusqu'à ce qu'il s'enclenche.
- Maintenez le blocage de broche (31) enfoncé et tournez la vis (51) dans le sens horaire (filetage à gauche !).
- Retirez le flasque de serrage (52).
- Retirez la lame de scie (30).
- Faites redescendre lentement le capot de protection.

### Mise en place de la lame de scie

► **Lors du montage, assurez-vous que le sens de coupe des dents (sens de la flèche sur la lame de scie) coïncide avec le sens de la flèche du capot de protection !**

Si nécessaire, nettoyez préalablement toutes les pièces à monter.

- Basculez le capot de protection à mouvement pendulaire (10) vers l'arrière et maintenez-le dans cette position.
- Placez la nouvelle lame de scie sur le flasque de serrage intérieur (53).
- Montez le flasque de serrage (52) et la vis à six pans creux (51). Appuyez sur le blocage de broche (31) jusqu'à ce qu'il s'enclenche et serrez la vis à six pans creux dans le sens antihoraire.
- Faites redescendre lentement le capot de protection.

### Utilisation

► **Retirez systématiquement la batterie avant toute intervention sur l'outil électroportatif (maintenance, changement d'accessoire, etc.).** Il y a sinon risque de blessure si vous appuyez par mégarde sur l'interrupteur Marche/Arrêt.

### Sécurité de transport (voir figure E)

La sécurité de transport (34) facilite le maniement de l'outil électroportatif lors du transport vers différents lieux d'utilisation.

#### Débloquez l'outil électroportatif (position travail)

- Poussez la poignée (7) du bras d'outil légèrement vers le bas afin de détendre la sécurité de transport (34).
- Tirez la sécurité de transport (34) complètement vers l'extérieur.
- Déplacez le bras de l'outil lentement vers le haut.

#### Bloquez l'outil électroportatif (position de transport)

- Desserrez la vis de serrage (1) au cas où le dispositif radial (2) coince. Tirez le bras d'outil à fond vers l'avant et resserrez la vis de serrage pour bloquer le système radial.

#### Déplacement de la butée réglable (voir figure H)

Pour effectuer des coupes d'onglets ou des coupes biaisées, il est nécessaire (selon le sens de la coupe) de tirer vers l'extérieur ou de retirer complètement la butée réglable gauche ou droite (26).

- Retirez la butée de profondeur (39) vers le haut.
- Pour bloquer la table de sciage (12), serrez le bouton de blocage (16).
- Basculez le bras d'outil vers le bas avec la poignée (7) jusqu'à ce que la sécurité de transport (34) puisse être enfoncée complètement.

Le bras d'outil se trouve alors correctement bloqué pour le transport.

### Préparation du travail

Pour pouvoir réaliser des coupes précises, il est nécessaire après une utilisation intensive de contrôler et, le cas échéant, de corriger les réglages de base de l'outil électroportatif.

Pour ce faire, il faut de l'expérience et des outils spéciaux.

Il est conseillé de confier ce travail à un centre de service après-vente Bosch agréé. Il effectuera ce travail rapidement et de façon fiable.

#### Agrandissement de la table de sciage (voir figures F-G)

Les pièces longues et lourdes doivent être soutenues par des cales ou autre au niveau de leur extrémité libre.

La table de sciage peut être agrandie vers la gauche et vers la droite à l'aide des rallonges (23).

- Desserrez la vis de blocage (22).
- Tirez vers l'extérieur la rallonge (23) jusqu'à la longueur souhaitée.
- Pour bloquer la rallonge, resserrez la vis de blocage (22). Avec leur système d'emboîtement pratique, les appuis de pièce (24) offrent de nombreuses possibilités d'extension vers les côtés ou vers l'avant.
- Emboîtez au gré des besoins les appuis de pièce (24) dans les logements (47) de l'outil électroportatif ou dans les logements (48) du second appui de pièce.

► **Ne portez jamais l'outil électroportatif en le saisissant au niveau des appuis de pièce. Pour transporter l'outil électroportatif, ne le saisissez qu'au niveau des dispositifs de transport.**

Angle d'inclinaison (pour coupes dans le plan vertical)	Angle d'onglet (pour coupes dans le plan horizontal)	
0°–22,5° (vers la gauche/ vers la droite)	> 0°	– <b>Desserrez</b> la vis de blocage gauche/droite (44). – Tirez la butée réglable gauche/droite (26) à fond vers l'extérieur.
22,5°–47° (vers la gauche/ vers la droite)	≤ 48° (vers la droite/ vers la gauche)	– <b>Desserrez</b> la vis de blocage gauche/droite (44). – Tirez la butée réglable gauche/droite (26) à fond vers l'extérieur. – Soulevez la butée réglable.

### Fixation de la pièce (voir figure I)

Pour travailler en toute sécurité, prenez soin de toujours bien serrer la pièce.

N'utilisez pas l'outil électroportatif pour tronçonner des pièces qui sont trop petites pour être serrées correctement.

- Pressez fermement la pièce contre les rails de butée (26) et (25).
- Introduisez le serre-joint (41) fourni dans l'un des alésages prévus (42).
- Ajustez la tige filetée (40) du serre-joint à la hauteur de la pièce.
- Bloquez la pièce en serrant fermement la tige filetée (40).

### Réglage d'angles d'onglet (dans le plan horizontal)

#### Réglage d'angles d'onglet standard (dans le plan horizontal) (voir figure J)

Pour permettre le réglage rapide et précis des angles d'onglet horizontaux les plus fréquemment utilisés des encoches sont pratiquées sur la table de sciage (20) :

Vers la gauche	Vers la droite
0°	
45° ; 30° ; 22,5° ; 15°	15° ; 22,5° ; 30° ; 45°

- Desserrez le bouton de blocage (16) (au cas où celui-ci serait serré).
- Tirez le levier (17) et tournez la table de sciage (12) vers la droite ou vers la gauche jusqu'à l'encoche souhaitée.
- Relâchez le levier. Le levier doit s'encliqueter de manière perceptible dans l'encoche.
- Resserrez le bouton de blocage (16).

#### Réglage d'angles d'onglet quelconques (dans le plan horizontal) (voir figure K)

Il est possible de régler dans le plan horizontal des angles d'onglet de 48° (côté gauche) à 48° (côté droit).

- Desserrez le bouton de blocage (16) (au cas où celui-ci serait serré).
- Tirez le levier (17) et appuyez en même temps sur la patte de blocage (15) jusqu'à ce qu'elle s'encliquette dans la gorge prévue à cet effet. La table de sciage peut alors être bougée librement.
- En agissant sur le bouton de blocage, tournez la table de sciage (12) vers la gauche ou la droite jusqu'à ce que l'indicateur d'angle (58) indique l'angle d'onglet souhaité.
- Resserrez le bouton de blocage (16).
- Pour desserrer le levier (17) (afin de sélectionner un angle d'onglet standard), tirez le levier vers le haut. La patte de blocage (15) revient dans sa position initiale et le levier (17) peut à nouveau s'enclencher dans les encoches (20).

### Réglage d'angles d'inclinaison pour coupes biaisées

Il est possible de régler des angles d'inclinaison de 47° (vers la gauche) à 47° (vers la droite).

La table de sciage comporte des positions indexées permettant de sélectionner rapidement et avec précision les angles d'inclinaison les plus courants (0°, 22,5° et 45°).

- Assurez-vous que la roue de serrage (45) est montée (voir « Montage de la roue de serrage (voir figure A2) », Page 33).

#### Réglage d'angles d'inclinaison standards (voir figure L)

- Tirez les butées réglables (26) à fond vers l'extérieur ou retirez-les complètement.
- Desserrez la roue de serrage (45).
- Tirez le levier de blocage (46) vers l'extérieur et enclenchez-le dans la position roue libre. Cela permet d'utiliser la totalité de la plage d'angles d'inclinaison (vers la gauche et vers la droite).
- En agissant sur la poignée (7), basculez le bras d'outil vers la gauche ou vers la droite jusqu'à ce que l'indicateur d'angle (28) indique l'angle d'inclinaison standard souhaité.
- Tournez le levier de blocage (46). Le levier de blocage doit s'enclencher de manière perceptible dans la position correspondant à l'angle d'inclinaison standard voulu.
- Resserrez la roue de serrage (45).

#### Réglage d'angles d'inclinaison quelconques (pour coupes biaisées)

- Tirez les butées réglables (26) à fond vers l'extérieur ou retirez-les complètement.
- Desserrez la roue de serrage (45).
- Tirez le levier de blocage (46) vers l'extérieur et enclenchez-le dans la position roue libre. Cela permet d'utiliser la totalité de la plage d'angles d'inclinaison (vers la gauche et vers la droite).
- En agissant sur la poignée (7), basculez le bras d'outil vers la gauche ou vers la droite jusqu'à ce que l'indicateur d'angle (28) indique l'angle d'inclinaison voulu.
- Resserrez la roue de serrage (45).

### Mise en marche

- ▶ **Veillez à toujours bien serrer le bouton de blocage (16) et la roue de serrage (45) avant le sciage.** La lame de scie risque sinon de rester coincée dans la pièce.

#### Mise en marche (voir figure M)

- Pour **mettre en marche** l'outil électroportatif, poussez **d'abord** le verrouillage d'enclenchement (5) vers le milieu et appuyez **ensuite** sur l'interrupteur Marche/Arrêt (6) et maintenez-le appuyé.

**Remarque :** Pour des raisons de sécurité, il n'est pas possible de verrouiller l'interrupteur Marche/Arrêt (6), il faut le maintenir actionné pendant tout le travail de sciage.

#### Arrêt

- Pour **arrêter** l'outil électroportatif, relâchez l'interrupteur Marche/Arrêt (6).

## Sciage

### Indications générales pour le sciage

- ▶ **Veillez à toujours bien serrer le bouton de blocage (16) et la roue de serrage (45) avant le sciage.** La lame de scie risque sinon de rester coincée dans la pièce.
- ▶ **Quel que soit le type de coupe à effectuer, assurez-vous d'abord que la lame de scie ne peut en aucun cas toucher la butée réglable, les serre-joints ou d'autres pièces de l'outil électroportatif. Enlevez si nécessaire les butées auxiliaires qui gênent ou modifiez leur position.**

Protégez la lame de scie contre les chocs et les coups. N'exposez pas la lame de scie à une pression latérale.

Ne sciez que les matériaux pour lesquels la scie est conçue (voir la section Utilisation conforme).

Ne travaillez pas des pièces déformées. Le côté de la pièce qui va être appliqué contre la butée réglable doit toujours être droit.

Les pièces longues et lourdes doivent être soutenues par des cales ou autre au niveau de leur extrémité libre.

Assurez-vous que le capot de protection à mouvement pendulaire fonctionne correctement et qu'il puisse bouger librement. Quand le bras d'outil est déplacé vers le bas, le capot de protection à mouvement pendulaire doit s'ouvrir. Quand le bras de l'outil est guidé vers le haut, le capot de protection à mouvement pendulaire doit se refermer au-dessus de la lame et se bloquer dans la position supérieure du bras de l'outil.

### Position de l'utilisateur (voir figure N)

- ▶ **Ne vous placez jamais devant l'outil électroportatif dans le prolongement de la lame mais toujours de côté.** Vous ne risquez ainsi pas d'être blessé en cas de rebond intempestif.
- Maintenez les mains, doigts ou bras éloignés de la lame de scie en rotation.
- Ne croisez pas vos bras devant le bras d'outil.

### Sciage avec mouvement radial

- Pour effectuer des coupes avec le dispositif radial (2) (grandes pièces), desserrez la vis de serrage (1) (au cas où celle-ci serait serrée).
- Ajustez l'angle d'onglet et/ou l'angle d'inclinaison souhaité(s).
- Pressez fermement la pièce contre les butées (25) et (26).
- Serrez la pièce comme l'exigent ses dimensions.
- Éloignez le bras d'outil de la butée (25) jusqu'à ce que la lame de scie se trouve devant la pièce.
- Mettez l'outil électroportatif en marche.
- A l'aide de la poignée (7), poussez lentement le bras d'outil vers le bas.
- Poussez ensuite le bras d'outil en direction des butées (25) et (26) et sciez complètement la pièce avec une avance régulière.

- Arrêtez l'outil électroportatif et attendez l'immobilisation complète de la lame de scie.
- Déplacez le bras d'outil lentement vers le haut.

### Sciage sans mouvement radial (coupes perpendiculaires) (voir figure O)

- Pour effectuer des coupes sans mouvement radial (petites pièces), desserrez la vis de serrage (1) (au cas où celle-ci serait serrée). Poussez le bras d'outil à fond en direction de la butée (25) et resserrez la vis de serrage (1).
- Ajustez l'angle d'onglet et/ou l'angle d'inclinaison souhaité(s).
- Pressez fermement la pièce contre les butées (25) et (26).
- Serrez la pièce comme l'exigent ses dimensions.
- Mettez l'outil électroportatif en marche.
- A l'aide de la poignée (7), déplacez lentement le bras d'outil vers le bas.
- Sciez la pièce avec une avance régulière.
- Arrêtez l'outil électroportatif et attendez l'immobilisation complète de la lame de scie.
- Déplacez le bras d'outil lentement vers le haut.

## Instructions d'utilisation

### Marquage de la ligne de coupe (voir figure P)

Deux faisceaux laser matérialisent la ligne de coupe sur la pièce. Ceci vous permet de positionner la pièce avec précision sans devoir ouvrir le capot de protection pendulaire.

- Activez pour cela les faisceaux laser en actionnant légèrement l'interrupteur Marche/Arrêt (6) sans appuyer sur le verrouillage d'enclenchement (5).
- Orientez la pièce de façon à ce que votre marquage se trouve entre les deux lignes laser.

**Remarque :** Assurez-vous avant chaque découpe que le faisceau laser coïncide bien avec la ligne de coupe (voir « Ajustage du laser », Page 38). Les faisceaux laser risquent en effet de se déplacer quelque peu suite par ex. aux vibrations générées lors d'une utilisation intensive.

### Dimensions de pièce maximales admissibles

Dimensions maximales des pièces :

Angle d'onglet (coupes dans plan horizontal)	Angle d'inclinaison (coupes dans plan vertical)	Hauteur x largeur [mm]
0°	0°	70 x 305
45° (vers la gauche/vers la droite)	0°	70 x 215
45° (vers la gauche)	45° (vers la gauche)	42 x 215
45° (vers la droite)	45° (vers la droite)	20 x 215
0°	45° (vers la gauche)	42 x 305
0°	45° (vers la droite)	20 x 305

Dimensions **minimales** des pièces (= toutes les pièces qui peuvent être serrées au moyen du serre-joint **(41)** fourni, à gauche ou à droite de la lame) : 100 x 40 mm (longueur x largeur)

**Profondeur de coupe maximale** (0°/0°) : 70 mm

#### Réglage de la butée de profondeur (réalisation de rainures) (voir figure Q)

La position de la butée de profondeur doit être modifiée si vous voulez scier une rainure.

- Basculez la butée de profondeur **(39)** vers l'avant.
- Basculez le bras d'outil dans la position souhaitée en agissant sur la poignée **(7)**.
- Tournez la vis d'ajustage **(38)** jusqu'à ce que l'extrémité de la vis touche la butée de profondeur **(39)**.
- Déplacez le bras d'outil lentement vers le haut.

#### Sciage de pièces à la même longueur (voir figure R)

Pour scier facilement des pièces à la même longueur, il est recommandé d'utiliser la butée de longueur gauche ou droite **(36)**.

- Tournez la butée de profondeur **(36)** vers le haut.
- Réglez la rallonge **(23)** à la longueur désirée.

#### Pièces spéciales

Une attention particulière doit être portée aux pièces incurvées ou rondes. Il est indispensable de bien les fixer pour qu'elles ne glissent pas. Le long de la ligne de coupe, il ne doit apparaître aucun espace entre la pièce, la butée et la table de sciage.

Confectionnez si nécessaire des fixations spéciales.

#### Remplacement des pare-éclats (voir figure S)

Les pare-éclats **(14)** peuvent s'user lors d'une utilisation prolongée de l'outil électroportatif.

Remplacez les pare-éclats usagés.

- Placez l'outil électroportatif dans la position de travail.
- Dévissez les vis **(54)** avec un tournevis cruciforme et retirez l'ancien pare-éclats **(14)**.
- Insérez le nouveau pare-éclats puis resserrez les vis de fixation **(54)**.

#### Ajustage du laser

**Remarque :** Pour tester le fonctionnement du laser, l'outil électroportatif doit être connecté à l'alimentation électrique.

- ▶ **Pendant l'ajustage du laser (par ex. lors du déplacement du bras d'outil), n'actionnez jamais l'interrupteur Marche/Arrêt.** Une mise en marche intempestive de l'outil électroportatif peut causer de graves blessures.
- Placez l'outil électroportatif dans la position de travail.
- Tournez la table de sciage **(12)** jusqu'à l'encoche **(20)** 0°. Le levier **(17)** doit s'encliqueter de manière perceptible dans l'encoche.

Pour pouvoir réaliser des coupes précises, contrôlez les faisceaux laser après chaque utilisation intensive et les réajuster si nécessaire.

Cette opération nécessite une certaine pratique et un outil

spécial.

Il est conseillé de confier ce travail à un centre de service après-vente Bosch agréé. Il effectuera ce travail rapidement et de façon fiable.

#### Contrôle (voir figure T1)

- Tracez une ligne de coupe droite sur une pièce.
- À l'aide de la poignée **(7)**, déplacez lentement le bras d'outil vers le bas.
- Orientez la pièce de façon à ce que les dents de la lame coïncident avec la ligne de coupe.
- Maintenez la pièce dans cette position et déplacez lentement le bras d'outil vers le haut.
- Serrez la pièce.
- Activez les faisceaux laser en actionnant l'interrupteur **(6)** sans appuyer sur le verrouillage d'enclenchement **(5)**.

Les faisceaux laser doivent être sur toute la longueur, à droite comme à gauche, à la même distance de la ligne de coupe tracée sur la pièce, même lorsque le bras d'outil est déplacé vers le bas.

#### Retrait du cache de protection du laser (voir figure T2)

- Desserrez les deux vis **(55)** du cache de protection du laser **(8)** à l'aide de la clé six pans mâle **(43)**.

#### Réglage de l'écart latéral lors du déplacement du bras d'outil (voir figures T3–T4)

- Desserrez la vis de fixation **(56)** (d'1 à 2 tours environ). Ne dévissez pas la vis complètement.
- Déplacez le boîtier du laser **(57)** vers la droite ou vers la gauche jusqu'à ce que les faisceaux laser ne dévient plus latéralement lorsque le bras d'outil est déplacé vers le bas.
- Maintenez le boîtier du laser **(57)** dans cette position et resserrez la vis de fixation **(56)**.
- Refixez le cache de protection du laser **(8)**.

#### Contrôle et correction des réglages de base

Pour pouvoir réaliser des coupes précises, il est nécessaire après une utilisation intensive de contrôler et, le cas échéant, de corriger les réglages de base de l'outil électroportatif.

Pour ce faire, il faut de l'expérience et des outils spéciaux.

Il est conseillé de confier ce travail à un centre de service après-vente Bosch agréé. Il effectuera ce travail rapidement et de façon fiable.

#### Alignement de l'indicateur d'angle (angles d'onglet) (voir figure U)

- Placez l'outil électroportatif dans la position de travail.
- Tournez la table de sciage **(12)** jusqu'à l'encoche **(20)** 0°. Le levier **(17)** doit s'encliqueter de manière perceptible dans l'encoche.

#### Contrôle

L'indicateur d'angle **(58)** et le marquage 0° de l'échelle graduée **(21)** doivent être alignés.

### Réglage

- Desserrez la vis (59) à l'aide d'un tournevis cruciforme et alignez l'indicateur d'angle avec le marquage 0°.
- Resserrez la vis.

### Alignement de l'indicateur d'angle (coupes biaisées dans plan vertical) (voir figure V)

- Placez l'outil électroportatif dans la position de travail.
- Desserrez la roue de serrage (45).
- Tirez le levier de blocage (46) vers l'extérieur et réglez avec le bras d'outil un angle d'inclinaison (dans le plan vertical) de 0°.
- Relâchez le levier de blocage (46). Le levier de blocage doit s'enclencher de manière perceptible dans sa position.
- Resserrez la roue de serrage (45).

### Contrôle

L'indicateur d'angle (28) et le marquage 0° de l'échelle graduée (27) doivent être alignés.

### Réglage

- Desserrez la vis (60) à l'aide d'un tournevis cruciforme et alignez l'indicateur d'angle avec le marquage 0°.
- Resserrez la vis.

### Transport de l'outil électroportatif (voir figure W)

- ▶ **Retirez systématiquement la batterie avant toute intervention sur l'outil électroportatif (maintenance, changement d'accessoire, etc.).** Il y a sinon risque de blessure si vous appuyez par mégarde sur l'interrupteur Marche/Arrêt.

Avant de transporter l'outil électroportatif, procédez comme suit :

- Desserrez la vis de blocage (1) (au cas où celle-ci serait serrée). Tirez le bras d'outil complètement vers l'avant et resserrez la vis de serrage.
- Assurez-vous que la butée de profondeur (39) est basculée à fond vers l'arrière et que la vis d'ajustage (38) ne touche rien lors du déplacement du bras d'outil.
- Placez l'outil électroportatif dans la position de transport.
- Enlevez tous les accessoires qui ne peuvent pas être fixés solidement à l'outil électroportatif et qui risquent donc de tomber. Transportez, si possible, les lames de scie encore inutilisées dans un conteneur fermé.
- Positionnez la poignée de transport (3) à la verticale.
- Portez l'outil électroportatif par la poignée de transport (3) ou par les poignées encastrées (61) placées de chaque côté de la table.

- ▶ **Pour transporter l'outil électroportatif, ne le saisissez qu'au niveau des dispositifs de transport, jamais au niveau des dispositifs de protection, rallonges ou appuis de pièce.**

## Entretien et Service après-vente

### Nettoyage et entretien

- ▶ **Retirez systématiquement la batterie avant toute intervention sur l'outil électroportatif (maintenance, changement d'accessoire, etc.).** Il y a sinon risque de blessure si vous appuyez par mégarde sur l'interrupteur Marche/Arrêt.
- ▶ **Tenez toujours propres l'outil électroportatif ainsi que les fentes de ventilation afin d'obtenir un travail impeccable et sûr.**

Le capot de protection à mouvement pendulaire doit toujours pouvoir bouger librement et fermer automatiquement. Veillez pour cela à ce que le pourtour du capot de protection à mouvement pendulaire reste propre.

Après chaque opération de travail, enlevez les poussières et les copeaux à l'aide d'un pinceau ou en soufflant avec de l'air comprimé.

Nettoyez régulièrement le galet coulissant (11).

### Mesures visant à réduire le niveau sonore

Mesures prises par le fabricant :

- Démarrage progressif
- Fourniture avec une lame de scie spécialement conçue pour une réduction du niveau sonore

Mesures prises par l'utilisateur :

- Montage permettant une réduction des vibrations sur une surface de travail stable
- Utilisation de lames de scie avec fonctions permettant de réduire le niveau sonore
- Nettoyage régulier de la lame de scie et de l'outil électroportatif

### Service après-vente et conseil utilisateurs

Notre Service après-vente répond à vos questions concernant la réparation et l'entretien de votre produit et les pièces de rechange. Vous trouverez des vues éclatées et des informations sur les pièces de rechange sur le site :

**www.bosch-pt.com**

L'équipe de conseil utilisateurs Bosch se tient à votre disposition pour répondre à vos questions concernant nos produits et leurs accessoires.

Pour toute demande de renseignement ou toute commande de pièces de rechange, précisez impérativement la référence à 10 chiffres figurant sur l'étiquette signalétique du produit.

### Maroc

Robert Bosch Morocco SARL  
53, Rue Lieutenant Mahroud Mohamed  
20300 Casablanca  
Tel. : +212 5 29 31 43 27  
E-Mail : sav.outillage@ma.bosch.com

**Vous trouverez d'autres adresses du service après-vente sous :**

www.bosch-pt.com/serviceaddresses

## Transport

Les batteries Lithium-ion recommandées sont soumises à la réglementation relative au transport de matières dangereuses. Pour le transport sur route par l'utilisateur, aucune autre mesure n'a besoin d'être prise.

Lors d'une expédition par un tiers (par ex. transport aérien ou entreprise de transport), des exigences spécifiques doivent être respectées concernant l'emballage et le marquage. Pour la préparation de l'envoi, faites-vous conseiller par un expert en transport de matières dangereuses. N'expédiez que des accus dont le boîtier n'est pas endommagé. Recouvrez les contacts non protégés et emballez l'accu de manière à ce qu'il ne puisse pas se déplacer dans l'emballage. Veuillez également respecter les réglementations supplémentaires éventuellement en vigueur.

## Élimination des déchets



Les outils électroportatifs, les accus ainsi que leurs accessoires et emballages doivent être rapportés dans un centre de recyclage respectueux de l'environnement.



Ne jetez pas les outils électroportatifs et les accus/piles avec les ordures ménagères !

### Accus/piles :

#### Li-Ion :

Veuillez respecter les indications se trouvant dans le chapitre Transport (voir « Transport », Page 40).

# Português

## Instruções de segurança

### Indicações gerais de advertência para ferramentas elétricas

#### **AVISO**

Devem ser lidas todas as indicações de segurança,

instruções, ilustrações e especificações desta ferramenta eléctrica. O desrespeito das instruções apresentadas abaixo poderá resultar em choque eléctrico, incêndio e/ou ferimentos graves.

#### Guarde bem todas as advertências e instruções para futura referência.

O termo "ferramenta eléctrica" utilizado a seguir nas indicações de advertência, refere-se a ferramentas eléctricas operadas com corrente de rede (com cabo de rede) e a ferramentas eléctricas operadas com acumulador (sem cabo de rede).

## Segurança da área de trabalho

- ▶ **Mantenha a sua área de trabalho sempre limpa e bem iluminada.** Desordem ou áreas de trabalho insuficientemente iluminadas podem levar a acidentes.
- ▶ **Não trabalhar com a ferramenta eléctrica em áreas com risco de explosão, nas quais se encontrem líquidos, gases ou pós inflamáveis.** Ferramentas eléctricas produzem faíscas, que podem inflamar pós ou vapores.
- ▶ **Manter crianças e outras pessoas afastadas da ferramenta eléctrica durante a utilização.** No caso de distração é possível que perca o controlo sobre o aparelho.

## Segurança eléctrica

- ▶ **A ficha de conexão da ferramenta eléctrica deve caber na tomada. A ficha não deve ser modificada de maneira alguma. Não utilizar uma ficha de adaptação junto com ferramentas eléctricas protegidas por ligação à terra.** Fichas não modificadas e tomadas apropriadas reduzem o risco de um choque eléctrico.
  - ▶ **Evitar que o corpo possa entrar em contacto com superfícies ligadas à terra, como tubos, aquecimentos, fogões e frigoríficos.** Há um risco elevado devido a um choque eléctrico, se o corpo estiver ligado à terra.
  - ▶ **Manter o aparelho afastado de chuva ou humidade.** A infiltração de água numa ferramenta eléctrica aumenta o risco de choque eléctrico.
  - ▶ **Não deverá utilizar o cabo para outras finalidades. Nunca utilizar o cabo para transportar a ferramenta eléctrica, para pendurá-la, nem para puxar a ficha da tomada. Manter o cabo afastado do calor, do óleo, de arestas afiadas ou de peças em movimento.** Cabos danificados ou emaranhados aumentam o risco de um choque eléctrico.
  - ▶ **Se trabalhar com uma ferramenta eléctrica ao ar livre, só deverá utilizar cabos de extensão apropriados para áreas exteriores.** A utilização de um cabo de extensão apropriado para áreas exteriores reduz o risco de um choque eléctrico.
  - ▶ **Se não for possível evitar o funcionamento da ferramenta eléctrica em áreas húmidas, deverá ser utilizado um disjuntor de corrente de avaria.** A utilização de um disjuntor de corrente de avaria reduz o risco de um choque eléctrico.
- ## Segurança de pessoas
- ▶ **Esteja atento, observe o que está a fazer e tenha prudência ao trabalhar com a ferramenta eléctrica. Não utilizar uma ferramenta eléctrica quando estiver fatigado ou sob a influência de drogas, álcool ou medicamentos.** Um momento de descuido ao utilizar a ferramenta eléctrica, pode levar a lesões graves.
  - ▶ **Utilizar equipamento de protecção individual. Utilizar sempre óculos de protecção.** A utilização de equipamento de protecção pessoal, como máscara de protecção contra pó, sapatos de segurança



antiderrapantes, capacete de segurança ou protecção auricular, de acordo com o tipo e aplicação da ferramenta eléctrica, reduz o risco de lesões.

- ▶ **Evitar uma colocação em funcionamento involuntária. Assegure-se de que a ferramenta eléctrica esteja desligada, antes de conectá-la à alimentação de rede e/ou ao acumulador, antes de levantá-la ou de transportá-la.** Se tiver o dedo no interruptor ao transportar a ferramenta eléctrica ou se o aparelho for conectado à alimentação de rede enquanto estiver ligado, poderão ocorrer acidentes.
- ▶ **Remover ferramentas de ajuste ou chaves de boca antes de ligar a ferramenta eléctrica.** Uma ferramenta ou chave que se encontre numa parte do aparelho em movimento pode levar a lesões.
- ▶ **Evite uma posição anormal. Mantenha uma posição firme e mantenha sempre o equilíbrio.** Desta forma é mais fácil controlar a ferramenta eléctrica em situações inesperadas.
- ▶ **Usar roupa apropriada. Não usar roupa larga nem jóias. Mantenha os cabelos e roupas afastados de peças em movimento.** Roupas frouxas, cabelos longos ou jóias podem ser agarrados por peças em movimento.
- ▶ **Se for possível montar dispositivos de aspiração ou de recolha, assegure-se de que estejam conectados e utilizados correctamente.** A utilização de uma aspiração de pó pode reduzir o perigo devido ao pó.
- ▶ **Não deixe que a familiaridade resultante de uma utilização frequente de ferramentas permita que você se torne complacente e ignore os princípios de segurança da ferramenta.** Uma acção descuidada pode causar ferimentos graves numa fracção de segundo.

#### Utilização e manuseio cuidadoso de ferramentas eléctricas

- ▶ **Não sobrecarregue a ferramenta eléctrica. Utilize a ferramenta eléctrica apropriada para o seu trabalho.** É melhor e mais seguro trabalhar com a ferramenta eléctrica apropriada na área de potência indicada.
- ▶ **Não utilizar uma ferramenta eléctrica com um interruptor defeituoso.** Uma ferramenta eléctrica que não pode mais ser ligada nem desligada, é perigosa e deve ser reparada.
- ▶ **Puxar a ficha da tomada e/ou remover o acumulador, se amovível, antes de executar ajustes na ferramenta eléctrica, de substituir acessórios ou de guardar as ferramentas eléctricas.** Esta medida de segurança evita o arranque involuntário da ferramenta eléctrica.
- ▶ **Guardar ferramentas eléctricas não utilizadas fora do alcance de crianças e não permitir que as pessoas que não estejam familiarizadas com o aparelho ou que não tenham lido estas instruções utilizem o aparelho.** Ferramentas eléctricas são perigosas se forem utilizadas por pessoas inexperientes.
- ▶ **Tratar a ferramenta eléctrica e os acessórios com cuidado. Controlar se as partes móveis do aparelho funcionam perfeitamente e não emperram, e se há**

**peças quebradas ou danificadas que possam prejudicar o funcionamento da ferramenta eléctrica. Permitir que peças danificadas sejam reparadas antes da utilização.** Muitos acidentes têm como causa, a manutenção insuficiente de ferramentas eléctricas.

- ▶ **Manter as ferramentas de corte afiadas e limpas.** Ferramentas de corte cuidadosamente tratadas e com cantos de corte afiados emperram com menos frequência e podem ser conduzidas com maior facilidade.
- ▶ **Utilizar a ferramenta eléctrica, acessórios, ferramentas de aplicação, etc. conforme estas instruções. Considerar as condições de trabalho e a tarefa a ser executada.** A utilização de ferramentas eléctricas para outras tarefas a não ser as aplicações previstas, pode levar a situações perigosas.
- ▶ **Mantenha os punhos e as superfícies de agarrar secas, limpas e livres de óleo e massa consistente.** Punhos e superfícies de agarrar escorregadias não permitem o manuseio e controle seguros da ferramenta em situações inesperadas.

#### Manuseio e utilização cuidadosos de ferramentas com acumuladores

- ▶ **Só carregar acumuladores em carregadores recomendados pelo fabricante.** Há perigo de incêndio se um carregador apropriado para um certo tipo de acumuladores for utilizado para carregar acumuladores de outros tipos.
- ▶ **Só utilizar ferramentas eléctricas com os acumuladores apropriados.** A utilização de outros acumuladores pode levar a lesões e perigo de incêndio.
- ▶ **Manter o acumulador que não está sendo utilizado afastado de cliques, moedas, chaves, parafusos ou outros pequenos objectos metálicos que possam causar um curto-circuito dos contactos.** Um curto-circuito entre os contactos do acumulador pode ter como consequência queimaduras ou fogo.
- ▶ **No caso de aplicação incorrecta pode vaziar líquido do acumulador. Evitar o contacto. No caso de um contacto acidental, deverá enxaguar com água. Se o líquido entrar em contacto com os olhos, também deverá consultar um médico.** Líquido que escapa do acumulador pode levar a irritações da pele ou a queimaduras.
- ▶ **Não use um acumulador ou uma ferramenta danificada ou modificada.** Os acumuladores danificados ou modificados exibem um comportamento imprevisível podendo causar incêndio, explosão ou risco de lesão.
- ▶ **Não exponha o acumulador ou a ferramenta ao fogo ou temperatura excessiva.** A exposição ao fogo ou a temperaturas acima de 130 °C pode causar explosão.
- ▶ **Siga todas as instruções de carregamento e não carregue o acumulador ou a ferramenta fora da faixa de temperatura especificada no manual de instruções.** Carregar indevidamente ou em temperaturas fora da faixa especificada pode danificar o acumulador e aumentar o risco de incêndio.

### Serviço



- ▶ **Só permita que o seu aparelho seja reparado por pessoal especializado e qualificado e só com peças de reposição originais.** Desta forma é assegurado o funcionamento seguro do aparelho.
- ▶ **Nunca tente reparar acumuladores danificados.** A reparação de acumuladores deve ser realizada apenas pelo fabricante ou agentes de assistência autorizados.


### Indicações de segurança para serras de meia-esquadria

- ▶ **As serras de meia-esquadria destinam-se ao corte de produtos de madeira ou semelhantes a madeira e não podem ser usadas com discos abrasivos de corte para cortar material ferroso como barras, varas, hastes, etc.** O pó abrasivo causa o emperramento de peças móveis como, p. ex., a proteção inferior. As faíscas resultantes do corte abrasivo queimam a proteção inferior, o entalhe ou outras partes de plástico.
- ▶ **Sempre que possível, use grampos para segurar a peça de trabalho. Ao segurar a peça de trabalho com a mão, mantenha sempre a mão pelo menos 100 mm afastada de cada lado do disco de serra. Não utilize esta serra para cortar peças que são demasiado pequenas para serem presas de forma segura com grampos ou com a mão.** Se a sua mão estiver demasiado próxima do disco de serra, existe um risco elevado de ferimentos através do contacto com disco de serra.
- ▶ **A peça de trabalho tem de estar imóvel e fixa ou ser pressionada contra o batente e a mesa. Não empurre a peça de trabalho para o disco de serra, nem nunca corte em modo "mãos livres".** As peças de trabalho soltas ou móveis podem ser projetadas a alta velocidade e causar ferimentos.
- ▶ **Empurre a serra através da peça de trabalho. Não puxe a serra através da peça de trabalho. Para fazer um corte, levante a cabeça da serra e puxe-a por cima da peça de trabalho sem a cortar, ligue o motor, pressione a cabeça da serra para baixo e empurre a serra através da peça de trabalho.** Ao efetuar um corte a puxar, existe o perigo de o disco de serra subir a peça de trabalho e fazer com que a unidade do disco de serra seja projetada com violência contra o utilizador.
- ▶ **Nunca passe a mão sobre a linha de corte pretendida, nem atrás do disco de serra.** Segurar a peça de trabalho com as "mãos cruzadas", ou seja, segurar a peça de trabalho à direita do disco de corte com a mão esquerda ou vice-versa é muito perigoso.
- ▶ **Nunca introduza as mãos atrás do batente, nem desrespeite a distância de segurança de 100 mm entre a mão e o disco de serra em rotação (aplica-se a ambos os lados do disco de serra, p. ex. para retirar aparas de madeira).** A proximidade entre o disco de serra em rotação e a sua mão pode não ser tão perceptível e pode magoar-se seriamente.
- ▶ **Inspecione a peça de trabalho antes de efetuar o corte. Se a peça de trabalho estiver arqueada ou**

**empenada, fixe-a com a face arqueada virada para o batente. Certifique-se sempre de que não existe uma folga entre a peça de trabalho, o batente e a mesa ao longo da linha de corte.** As peças de trabalho arqueadas ou empenadas podem virar-se ou emperrar e causar o bloqueio do disco de corte. A peça de trabalho deve estar livre de pregos e objetos estranhos.

- ▶ **Utilize a serra só depois de a mesa estar livre de ferramentas, aparas, etc., apenas pode estar a peça de trabalho em cima da mesa.** Pequenos desperdícios, peças de madeira soltas ou outros objetos que entrem em contacto com o disco de serra podem ser projetados a alta velocidade.
- ▶ **Corte apenas uma peça de trabalho de cada vez.** Não é possível fixar ou segurar adequadamente peças de trabalho empilhadas e as mesmas podem causar um bloqueio do disco ou deslocar-se durante o corte.
- ▶ **Certifique-se de que a serra de meia-esquadria está montada ou colocada sobre uma superfície de trabalho nivelada e estável antes de a utilizar.** Uma superfície de trabalho nivelada e estável reduz o risco de a serra de meia-esquadria se tornar instável.
- ▶ **Planeie o seu trabalho. Sempre que alterar a inclinação do disco de serra ou o ângulo de meia-esquadria, certifique-se de que o batente ajustável está ajustado corretamente para apoiar a peça de trabalho e de que este não interfere com o disco ou com o sistema de proteção.** Sem ligar a ferramenta e sem peça de trabalho sobre a mesa, mova o disco de serra simulando um corte completo para assegurar que não irá haver qualquer interferência ou perigo de cortar o batente.
- ▶ **No caso de peças de trabalho mais largas ou compridas do que a mesa, providencie um suporte adequado através de extensões ou cavaletes, etc.** As peças de trabalho mais largas ou compridas do que a mesa da serra de meia-esquadria podem tombar quando não estão bem apoiadas. Se a peça cortada ou a peça de trabalho tombar, ela pode levantar a proteção inferior ou ser projetada descontroladamente pelo disco de serra.
- ▶ **Não peça a outra pessoa para servir de extensão de mesa ou de suporte adicional.** Um suporte instável para a peça de trabalho pode bloquear o disco de serra ou o deslocamento da peça de trabalho durante a operação de corte, fazendo com que o operador e o ajudante sejam puxados para o disco.
- ▶ **A peça de corte não pode em qualquer circunstância ser entalada ou pressionada contra o disco de serra em rotação.** Em caso de pouco espaço, p. ex. ao usar batentes longitudinais, a peça cortada pode ficar entalada contra o disco e ser projetada com violência.
- ▶ **Utilize sempre um grampo ou um dispositivo de fixação adequado para apoiar adequadamente material redondo como varas e tubos.** As varas têm tendência a rolar durante o corte, fazendo com que o disco "emperre" e puxe a peça com a sua mão para o disco.

- ▶ **Deixe que o disco alcance a velocidade plena antes de começar a cortar a peça de trabalho.** Tal irá reduzir o risco de projeção da peça de trabalho.
  - ▶ **Se a peça de trabalho ou o disco ficarem encravados, desligue a serra de meia-esquadria. Espere até que todas as partes móveis parem e desligue a ficha da tomada e/ou retire o acumulador. Depois tente libertar o material encravado.** Continuar a serrar com uma peça de trabalho entalada pode causar perda de controlo ou danos na serra de meia-esquadria.
  - ▶ **Depois de terminar o corte, solte o interruptor, mantenha a cabeça da serra em baixo e aguarde que o disco pare antes de retirar a peça cortada.** É muito perigoso colocar a mão próxima do disco a rodar livremente.
  - ▶ **Segure bem o punho ao fazer um corte incompleto ou ao soltar o interruptor antes de a cabeça da serra estar completamente na posição inferior.** O efeito de travagem da serra pode fazer com que a cabeça da serra seja puxada abruptamente para baixo, causando risco de ferimentos.
  - ▶ **Não solte o punho quando a cabeça da serra tiver atingido a posição inferior. Desloque a cabeça da serra sempre à mão de volta à posição superior.** Se mover a cabeça da serra sem controlo, pode originar um risco de ferimentos.
  - ▶ **Mantenha o local de trabalho limpo.** As misturas de materiais são muito perigosas. Pó de metal leve pode queimar ou explodir.
  - ▶ **Não utilizar lâminas de serra embotadas, rachadas, empenadas ou danificadas. Lâminas de serra com dentes embotados ou incorretamente alinhados causam um atrito maior, um contragolpe e emperram devido à fenda de corte apertada.**
  - ▶ **Não utilizar lâminas de serra de aço de alta liga para trabalhos rápidos (aço HSS).** Estes discos de serra podem quebrar facilmente.
  - ▶ **Utilize sempre discos de serra com furos interiores de tamanho e forma corretos (diamante versus redondo).** Os discos de serra que não coincidam com o hardware de montagem da serra ficam descentrados, causando perda de controlo.
  - ▶ **Jamais remover resíduos de corte, aparas ou objetos semelhantes da área de corte, enquanto a ferramenta elétrica estiver a funcionar.** Sempre conduzir primeiramente o braço da ferramenta para a posição de repouso e desligar a ferramenta.
  - ▶ **Não toque no disco de serra após o trabalho, espere que este arrefeça.** O disco de serra torna-se extremamente quente durante o trabalho.
  - ▶ **Em caso de danos e de utilização incorreta da bateria, podem escapar vapores. A bateria pode incendiar-se ou explodir.** Areje o espaço e procure assistência médica no caso de apresentar queixas. É possível que os vapores irrite as vias respiratórias.
  - ▶ **Não abrir o acumulador.** Há risco de um curto-circuito.
  - ▶ **Os objetos afiados como, p. ex., pregos ou chaves de fendas, assim como o efeito de forças externas podem danificar o acumulador.** Podem causar um curto-circuito interno e o acumulador pode ficar queimado, deitar fumo, explodir ou sobreaquecer.
  - ▶ **Utilize a bateria apenas em produtos do fabricante.** Só assim é que a bateria é protegida contra sobrecarga perigosa.
- 


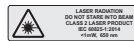
**Proteger a bateria contra calor, p. ex. também contra uma permanente radiação solar, fogo, sujidade, água e humidade.** Há risco de explosão ou de um curto-circuito.
- ▶ **A ferramenta elétrica é fornecida com uma placa de advertência laser (consulte a tabela "Símbolos e seus significados").**
  - ▶ **Se o texto da placa de advertência laser não estiver no seu idioma, antes da primeira colocação em funcionamento, deverá colar o adesivo com o texto de advertência no seu idioma nacional sobre a placa de advertência.**
  - ▶ **Jamais permita que as placas de advertência na ferramenta elétrica se tornem irreconhecíveis.**
- 

**Não apontar o raio laser na direção de pessoas nem de animais e não olhar para o raio laser direto ou reflexivo.** Desta forma poderá encandear outras pessoas, causar acidentes ou danificar o olho.
- ▶ **Se um raio laser acertar no olho, fechar imediatamente os olhos e desviar a cabeça do raio laser.**
  - ▶ **Não efetue alterações no dispositivo laser.** Pode utilizar sem perigo as possibilidades de ajuste descritas neste manual de instruções.
  - ▶ **Não deixe que crianças usem a ferramenta elétrica sem vigilância.** Elas podem encandear sem querer outras pessoas ou elas mesmas

## Símbolos

Os seguintes símbolos podem ser importantes para a utilização da sua ferramenta elétrica. Os símbolos e os seus significados devem ser memorizados. A interpretação correta dos símbolos facilita a utilização segura e aprimorada da ferramenta elétrica.

### Símbolos e seus significados



**Feixe laser**  
**Não olhar diretamente para o feixe**  
**Classe de laser 2**



**Mantenha as mãos afastadas da área de corte enquanto a ferramenta elétrica estiver em funcionamento.** Há perigo de ferimentos se houver contacto com o disco de serra.

**Símbolos e seus significados**

**Use uma máscara de proteção contra pó.**



**Use óculos de proteção.**



**Use proteção auditiva.** Ruídos podem provocar a surdez.



**Área perigosa! Manter as mãos, os dedos e os braços afastados desta área.**



Para ser transportada, deverá sempre segurar a ferramenta elétrica pelas posições marcadas (cavidades) ou pelo punho de transporte.



Ao serrar ângulos de meia-esquadria verticais é necessário puxar para fora ou remover por completo os carris limitadores ajustáveis.



Respeite as dimensões do disco de serra (diâmetro do disco de serra **D**, diâmetro do orifício **d**). Não deve haver folga entre o diâmetro do orifício **d** e o veio da ferramenta. Se for necessária a utilização de peças redutoras, certifique-se de que as dimensões da peça redutora são adequadas para a espessura da base do disco e ao diâmetro do orifício do disco de serra, assim como o diâmetro do veio da ferramenta. Se possível, use a peça redutora fornecida junto com o disco de serra.

O diâmetro do disco de serra **D** tem de corresponder à indicação no símbolo.

Ver também "Medidas de discos de serra apropriados" no capítulo "Dados técnicos".

**Descrição do produto e do serviço**

**Leia todas as instruções de segurança e instruções.** A inobservância das instruções de segurança e das instruções pode causar choque elétrico, incêndio e/ou ferimentos graves.

Respeite as figuras na parte da frente do manual de instruções.

**Utilização adequada**

A ferramenta elétrica é destinada à utilização como aparelho estacionário, para cortes longitudinais e transversais com traçado de corte reto em madeira. São possíveis ângulos de meia-esquadria horizontais de  $-48^\circ$  a  $+48^\circ$  e ângulos de meia-esquadria verticais de  $47^\circ$  (lado esquerdo) a  $47^\circ$  (lado direito).

A potência da ferramenta elétrica é apropriada para serrar madeiras duras e macias, assim como também placas de aglomerado de madeira e de fibras.

Utilizando os discos de serra é possível serrar perfis de alumínio e de plástico.

**Componentes ilustrados**

A numeração dos componentes ilustrados refere-se à apresentação da ferramenta elétrica na página de esquemas.

- (1) Parafuso de fixação do dispositivo de tração
- (2) Dispositivo de tração
- (3) Punho de transporte
- (4) Tampa de proteção
- (5) Bloqueio de ligação para o interruptor de ligar/desligar
- (6) Interruptor de ligar/desligar
- (7) Punho
- (8) Capa de proteção contra laser
- (9) Abertura para saída do raio laser
- (10) Cobertura de proteção pendular
- (11) Rolo de deslize
- (12) Mesa de serra
- (13) Furos para montagem
- (14) Suporte com os contornos da ferramenta
- (15) Grampo de travamento
- (16) Manipulo de fixação para qualquer ângulo de meia-esquadria (horizontal)
- (17) Alavanca para pré-ajuste do ângulo de meia-esquadria (horizontal)
- (18) Proteção contra tombamento
- (19) Placa de advertência laser
- (20) Entalhes para ângulos de meia-esquadria padrões (horizontal)
- (21) Escala para ângulo de meia-esquadria (horizontal)
- (22) Parafuso de fixação do prolongamento da mesa de serra
- (23) Prolongamento da mesa de serra
- (24) Apoio para as peças (encaixável de forma flexível)
- (25) Carril limitador fixo
- (26) Carril limitador ajustável

- |                                                                                                                                                                                                                                                                                                                                                                                                                                                                                                                                                                                                                                                                                                                                                                                                                                                                                               |                                                                                                                                                                                                                                                                                                                                                                                                                                                                                                                                                                                                                                                                                                                                                                                                                                                                                                                                                                           |
|-----------------------------------------------------------------------------------------------------------------------------------------------------------------------------------------------------------------------------------------------------------------------------------------------------------------------------------------------------------------------------------------------------------------------------------------------------------------------------------------------------------------------------------------------------------------------------------------------------------------------------------------------------------------------------------------------------------------------------------------------------------------------------------------------------------------------------------------------------------------------------------------------|---------------------------------------------------------------------------------------------------------------------------------------------------------------------------------------------------------------------------------------------------------------------------------------------------------------------------------------------------------------------------------------------------------------------------------------------------------------------------------------------------------------------------------------------------------------------------------------------------------------------------------------------------------------------------------------------------------------------------------------------------------------------------------------------------------------------------------------------------------------------------------------------------------------------------------------------------------------------------|
| <ul style="list-style-type: none"> <li>(27) Escala para ângulo de meia-esquadria (vertical)</li> <li>(28) Indicador de ângulo para ângulo de meia-esquadria (vertical)</li> <li>(29) Defletor de limalhas</li> <li>(30) Lâmina de serra</li> <li>(31) Bloqueio do veio</li> <li>(32) Tecla de desbloqueio da bateria</li> <li>(33) Bateria</li> <li>(34) Proteção de transporte</li> <li>(35) Arco de proteção contra tombamento</li> <li>(36) Batente longitudinal</li> <li>(37) Saco do pó</li> <li>(38) Parafuso de ajuste do limitador de profundidade</li> <li>(39) Batente de profundidade</li> <li>(40) Haste roscada</li> <li>(41) Grampo</li> <li>(42) Furos para grampos</li> <li>(43) Chave sextavada interior/chave de fenda</li> <li>(44) Parafuso de travamento do carril limitador ajustável</li> <li>(45) Roda de fixação para ângulo de meia-esquadria (vertical)</li> </ul> | <ul style="list-style-type: none"> <li>(46) Alavanca com retenção para ângulo de meia-esquadria (vertical)</li> <li>(47) Encaixe para apoio para as peças (na ferramenta elétrica)</li> <li>(48) Encaixe para segundo apoio para as peças (no apoio para as peças)</li> <li>(49) Pinos roscados</li> <li>(50) Adaptador de aspiração</li> <li>(51) Parafuso de sextavado interior para fixação do disco de serra</li> <li>(52) Flange de aperto</li> <li>(53) Flange de aperto interior</li> <li>(54) Parafusos de fixação para suporte com os contornos da ferramenta</li> <li>(55) Parafuso para capa de proteção contra laser</li> <li>(56) Parafuso de fixação para a carcaça do laser</li> <li>(57) Carcaça do laser</li> <li>(58) Indicador de ângulo para ângulo de meia-esquadria (horizontal)</li> <li>(59) Parafuso para indicador de ângulo (horizontal)</li> <li>(60) Parafuso para indicador de ângulo (vertical)</li> <li>(61) Cavidades de pega</li> </ul> |
|-----------------------------------------------------------------------------------------------------------------------------------------------------------------------------------------------------------------------------------------------------------------------------------------------------------------------------------------------------------------------------------------------------------------------------------------------------------------------------------------------------------------------------------------------------------------------------------------------------------------------------------------------------------------------------------------------------------------------------------------------------------------------------------------------------------------------------------------------------------------------------------------------|---------------------------------------------------------------------------------------------------------------------------------------------------------------------------------------------------------------------------------------------------------------------------------------------------------------------------------------------------------------------------------------------------------------------------------------------------------------------------------------------------------------------------------------------------------------------------------------------------------------------------------------------------------------------------------------------------------------------------------------------------------------------------------------------------------------------------------------------------------------------------------------------------------------------------------------------------------------------------|

### Dados técnicos

Serra para painéis sem fio		GCM 18V-216 D	GCM 18V-216 D
Número de produto		<b>3 601 M51 0..</b>	<b>3 601 M51 0B. 3 601 M51 08.</b>
Tensão nominal	V=	18	18
N.º de rotações em vazio <sup>A)</sup>	r.p.m.	5000	5000
Tipo de laser	nm	650	650
	mW	< 1	< 1
Classe de laser		2	2
Peso <sup>B)</sup>	kg	16,4–17,4	16,4–17,4
Temperatura ambiente recomendada durante o carregamento	°C	0 ... +35	0 ... +35
Temperatura ambiente admissível em funcionamento <sup>C)</sup> e durante o armazenamento	°C	-20 ... +50	-20 ... +50
Baterias recomendadas		GBA 18V... ProCORE18V...	GBA 18V... ProCORE18V...
Carregadores recomendados		GAL 18... GAX 18... GAL 36...	GAL 18... GAX 18... GAL 36...
<b>Medidas de discos de serra apropriados</b>			
Diâmetro do disco de serrar <b>D</b>	mm	216	216
Espessura da base do disco	mm	1,2–1,8	1,2–1,8

Serra para painéis sem fio	GCM 18V-216 D	GCM 18V-216 D
Diâmetro do furo d	mm	30
		25,4

A) Medido a 20–25 °C com bateria **ProCORE18V 8.0Ah**.

B) dependendo da bateria utilizada

C) Potência limitada com temperaturas <0 °C

Dimensões admissíveis da peça (máximo/mínimo): (ver "Dimensões admissíveis da peça a ser trabalhada", Página 51)

Os valores podem variar em função do produto e estar sujeitos a condições de aplicação e do meio ambiente. Para mais informações consulte [www.bosch-professional.com/wac](http://www.bosch-professional.com/wac).

### Informação sobre ruídos

Os valores de emissão de ruído foram determinados de acordo com **EN IEC 62841-3-9**.

O nível sonoro avaliado como A da ferramenta elétrica é normalmente de: nível de pressão sonora **93 dB(A)**; nível de potência sonora **107 dB(A)**. Incerteza K = **3 dB**.

#### Utilizar proteção auditiva!

O nível de emissões sonoras indicado nestas instruções de serviço foi medido de acordo com um processo de medição normalizado e pode ser utilizado para a comparação de ferramentas elétricas. Ele também é apropriado para uma avaliação provisória da emissão sonora.

O nível de emissões sonoras indicado representa as aplicações principais da ferramenta elétrica. Se a ferramenta elétrica for utilizada para outras aplicações, com outras ferramentas de trabalho ou com manutenção insuficiente, é possível que o nível de emissões sonoras seja diferente. Isto pode aumentar sensivelmente a emissão sonora para o período completo de trabalho.

Para uma estimativa exata da emissão sonora, também deveriam ser considerados os períodos nos quais o aparelho está desligado ou funciona, mas não está sendo utilizado. Isto pode reduzir a emissão sonora durante o completo período de trabalho.

## Bateria

**Bosch** vende ferramentas elétricas sem fio também sem bateria. Pode consultar na embalagem se está incluída uma bateria no volume de fornecimento da sua ferramenta elétrica.

### Carregar a bateria

► **Utilize apenas os carregadores listados nos dados técnicos.** Só estes carregadores são apropriados para os baterias de lítio utilizadas para a sua ferramenta elétrica.

**Nota:** devido a normas de transporte internacionais, as baterias de lítio são fornecidas parcialmente carregadas. Para assegurar a completa potência da bateria, a bateria deverá ser carregada completamente antes da primeira utilização.

### Colocar a bateria

Insira a bateria carregada no respetivo encaixe, até que esta esteja engatada.

### Retirar a bateria


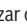
Para retirar a bateria, pressione a respetiva tecla de desbloqueio e puxe a bateria para fora. **Não empregue força.**

A bateria possui 2 níveis de travamento, que devem evitar, que a bateria caia, caso a tecla de desbloqueio da bateria seja premeida por acaso. Enquanto a bateria estiver dentro da ferramenta elétrica, ela é mantida em posição por uma mola.

### Indicador do nível de carga da bateria

Nota: Nem todos os tipos de bateria dispõem de um indicador do nível de carga de bateria.

Os LEDs verdes do indicador do nível de carga da bateria indicam o nível de carga da bateria. Por motivos de segurança, a consulta do nível de carga só é possível com a ferramenta elétrica parada.

Prima a tecla para o indicador do nível de carga da bateria  ou  para visualizar o nível de carga. Isto também é possível com a bateria removida.

Se, depois de premir a tecla para o indicador do nível de carga da bateria, não se acender qualquer LED, a bateria tem defeito e tem de ser substituída.

#### Tipo de bateria GBA 18V...



LED	Capacidade
Luz permanente 3 × verde	60–100 %
Luz permanente 2 × verde	30–60 %
Luz permanente 1 × verde	5–30 %
Luz intermitente 1 × verde	0–5 %

#### Tipo de bateria ProCORE18V...



LED	Capacidade
Luz permanente 5 × verde	80–100 %
Luz permanente 4 × verde	60–80 %
Luz permanente 3 × verde	40–60 %
Luz permanente 2 × verde	20–40 %
Luz permanente 1 × verde	5–20 %
Luz intermitente 1 × verde	0–5 %

## Indicações sobre o manuseio ideal da bateria

Proteger a bateria contra humidade e água.

Armazene a bateria apenas na faixa de temperatura de -20 °C a 50 °C. Por exemplo, não deixe a bateria dentro do automóvel no verão.

Limpar de vez em quando as aberturas de ventilação da bateria com um pincel macio, limpo e seco.

Um tempo de funcionamento reduzido após o carregamento indica que a bateria está gasta e que deve ser substituída.

Observe as indicações sobre a eliminação de forma ecológica.

## Montagem

- ▶ **Antes de qualquer trabalho na ferramenta elétrica (p. ex. manutenção, troca de ferramenta, etc.) retire a bateria da mesma.** Há perigo de ferimentos se o interruptor de ligar/desligar for acionado involuntariamente.

### Volume de fornecimento



Observe para o efeito a representação do volume de fornecimento no início do manual de instruções.

Antes de colocar a ferramenta elétrica em funcionamento pela primeira vez, deverá verificar se todas as peças especificadas abaixo foram fornecidas:

- Serra de meia-esquadria telescópica com lâmina de serra montada
- Roda de fixação (45)
- Carril limitador ajustável (26)
- Grampo (41)
- Chave sextavada interior/chave de fenda (43)
- Saco do pó (37)
- Apoios para as peças (24) (2 unidades)

**Nota:** verifique se a ferramenta elétrica apresenta danos. Antes de continuar a utilizar a ferramenta elétrica, deverá controlar cuidadosamente todos os dispositivos de segurança e peças levemente danificadas e verificar se estão a funcionar corretamente. Verifique se as peças móveis funcionam perfeitamente e não emperram, ou se há peças danificadas. Todas as peças devem ser montadas corretamente e corresponder a todas as exigências, para que seja assegurado um funcionamento impecável. Dispositivos de segurança e peças danificadas devem ser devidamente reparados ou substituídos por uma oficina especializada.

### Montagem de componentes individuais

- Retire todas as peças fornecidas cuidadosamente das respetivas embalagens.
- Remova todo o material de embalagem da ferramenta elétrica e dos acessórios fornecidos.

- Para facilitar o trabalho na montagem dos elementos dos aparelhos fornecidos, certifique-se de que a ferramenta elétrica se encontra na posição de transporte.

### Montar o apoio para as peças (ver figura A1)

Os apoios para as peças (24) podem ser posicionados à esquerda, à direita ou à frente na ferramenta elétrica. O sistema de encaixe flexível permite uma ampla gama de variantes de prolongamento ou alargamento (ver figura G).

- Consoante a necessidade, insira o apoio para as peças (24) nos encaixes (47) na ferramenta elétrica ou nos encaixes (48) do segundo apoio para as peças.

- ▶ **Nunca transporte a ferramenta elétrica pelos apoios para as peças.**  
**Ao transportar a ferramenta elétrica utilize apenas os dispositivos de transporte.**

### Montar a roda de fixação (ver figura A2)

A roda de fixação (45) fixa o ângulo de meia-esquadria vertical ajustado e é necessária para um funcionamento seguro.

- Desenrosque a porca sextavada do pino roscado (49).
- Enrosque a roda de fixação (45) no sentido horário no pino roscado (49) e aperte-a.

### Montar o carril limitador ajustável (ver figura A3)

O carril limitador ajustável (26) tem de ser montado antes de serrar.

- Empurre o carril limitador (26) a partir da direita da lâmina de serra para a respetiva ranhura e aperte o parafuso de travamento (44).  
A parte achatada do carril limitador tem de indicar para dentro para a lâmina de serra.

### Montagem estacionária ou flexível

- ▶ **Para assegurar um manuseio seguro, é necessário que, antes da utilização, a ferramenta elétrica seja montada sobre uma superfície de trabalho plana e estável (p. ex. bancada de trabalho).**

### Montagem numa superfície de trabalho (ver figura B1–B2)

- Fixe a ferramenta elétrica à superfície de trabalho com uma união roscada apropriada. Os orifícios (13) servem para esse efeito.

ou

- Fixe os pés da ferramenta elétrica com grampos convencionais à superfície de trabalho.

### Montagem numa mesa de trabalho Bosch

As mesas de trabalho GTA da Bosch oferecem firmeza à ferramenta elétrica, sobre qualquer solo, devido aos pés de altura ajustável. As mesas de trabalho possuem bases de apoio para o apoio de peças longas.

- ▶ **Ler todas as indicações de aviso e instruções fornecidas com a mesa de trabalho.** O desrespeito das indicações de aviso e das instruções pode causar choque elétrico, queimaduras e/ou ferimentos graves.

- ▶ **Montar corretamente a mesa de trabalho, antes de montar a ferramenta elétrica.** É importante que a montagem seja perfeita, para evitar o risco de desmoroamento.

- Monte a ferramenta elétrica na posição de transporte sobre a mesa de trabalho.

#### **Instalação flexível (não recomendada!) (ver figura B3)**

Se excepcionalmente não for possível montar a ferramenta elétrica sobre uma superfície de trabalho plana e estável, pode usar como auxiliar uma proteção contra tombamento.

- ▶ **Sem a proteção contra tombamento a ferramenta elétrica não está segura e pode tombar especialmente ao serrar ângulos de meia-esquadria máximos horizontais e/ou verticais.**

- Rodar a proteção contra tombamento (18) para dentro ou para fora até que a ferramenta elétrica fique direita sobre a superfície de trabalho.

#### **Aspiração de pó/de aparas**

Pós de materiais como por exemplo, tintas que contém chumbo, alguns tipos de madeira, minerais e metais, podem ser nocivos à saúde. O contacto ou a inalação dos pós pode provocar reações alérgicas e/ou doenças nas vias respiratórias do utilizador ou das pessoas que se encontrem por perto.

Certos pós, como por exemplo pó de carvalho e faia são considerados como sendo cancerígenos, especialmente quando juntos com substâncias para o tratamento de madeiras (cromato, produtos de proteção da madeira). Material que contém asbesto só deve ser processado por pessoal especializado.

- Se possível deverá usar um dispositivo de aspiração de pó apropriado para o material.
- Assegurar uma boa ventilação do local de trabalho.
- É recomendável usar uma máscara de proteção respiratória com filtro da classe P2.

Observe as diretivas para os materiais a serem processados, vigentes no seu país.

- ▶ **Evite a acumulação de pó no local de trabalho.** Pós podem entrar levemente em ignição.

A aspiração de pó/de aparas pode ser bloqueada por pó, aparas ou por estilhaços da peça a ser trabalhada.

- Desligue a ferramenta elétrica e retire a bateria.
- Aguardar até que o disco de serra esteja completamente parado.
- Verificar a causa do bloqueio e eliminá-la.

#### **Aspiração integrada (ver figura C)**

Para a fácil recolha das aparas deverá utilizar o saco do pó (37) fornecido.

- Coloque o punho de transporte (3) na vertical.
- Encaixe e rode o saco do pó (37) no adaptador de aspiração (50), de forma a que o pino do saco do pó engate no entalhe no adaptador de aspiração.

Ao serrar, o saco do pó não deve entrar em contacto com as peças móveis do aparelho.

Esvazie o saco do pó a tempo.

- ▶ **Verifique e limpe o saco de pó após cada utilização.**
- ▶ **Para evitar perigo de incêndio, deverá remover o saco de pó para serrar alumínio.**

#### **Aspiração externa**

Para a aspiração também é possível ligar ao adaptador de aspiração (50) uma mangueira de aspirador (Ø 35 mm).

- Ligue a mangueira do aspirador ao adaptador de aspiração (50).

O aspirador de pó deve ser apropriado para o material a ser trabalhado.

Utilize um aspirador especial para aspirar pó que seja extremamente nocivo à saúde, cancerígeno ou seco.

#### **Substituir o disco de serra (ver figura D1-D4)**

- ▶ **Antes de qualquer trabalho na ferramenta elétrica (p. ex. manutenção, troca de ferramenta, etc.) retire a bateria da mesma.** Há perigo de ferimentos se o interruptor de ligar/desligar for acionado involuntariamente.

- ▶ **Para a montagem do disco de serra é necessário usar luvas de proteção.** Há perigo de ferimentos em caso de contacto com a lâmina de serra.

Só utilizar discos de serra com uma máxima velocidade admissível superior à velocidade da marcha em vazio da ferramenta elétrica.

Utilize apenas discos de serra que correspondam aos dados característicos indicados neste manual de instrução e que sejam controlados conforme EN 847-1 e respetivamente marcados.

Utilize apenas discos de serra recomendados pelo fabricante desta ferramenta elétrica e adequados para o material com que deseja trabalhar. Desta forma, evita-se o sobreaquecimento dos dentes de serra ao serrar.

#### **Desmontar o disco de serra**

- Coloque a ferramenta elétrica na posição de trabalho.
- Gire a cobertura de proteção pendular (10) para trás e mantenha-a nesta posição.
- Rode o parafuso de sextavado interior (51) com a chave sextavada interior (6 mm) (43) e pressione em simultâneo o bloqueio do veio (31), até este engatar.
- Mantenha o bloqueio do veio (31) pressionado e rode o parafuso de sextavado interior (51) para a direita (rosca à esquerda!).
- Retire o flange de aperto (52).
- Retire o disco de serra (30).
- Reconduzir lentamente a tampa de proteção pendular para baixo.

#### **Montar o disco de serra**

- ▶ **Durante a montagem, deverá observar que o sentido de corte dos dentes (sentido da seta sobre a lâmina de corte) coincida com o sentido da seta sobre a capa de proteção!**



Se necessário, deverá limpar todas as partes antes de serem montadas.

- Gire a cobertura de proteção pendular (10) para trás e mantenha-a nesta posição.
- Coloque o novo disco de serra no flange de aperto interior (53).
- Coloque o flange de aperto (52) e o parafuso de sextavado interior (51). Pressione o bloqueio do veio (31) até este engatar, e aperte o parafuso de sextavado interior rodando para a esquerda.
- Reconduzir lentamente a tampa de proteção pendular para baixo.

## Funcionamento

- ▶ **Antes de qualquer trabalho na ferramenta elétrica (p. ex. manutenção, troca de ferramenta, etc.) retire a bateria da mesma.** Há perigo de ferimentos se o interruptor de ligar/desligar for acionado involuntariamente.

### Proteção de transporte (ver figura E)

A proteção de transporte (34) facilita o manuseamento da ferramenta elétrica durante o transporte para outros locais de utilização.

#### Liberar a ferramenta elétrica (posição de trabalho)

- Pressionar o braço da ferramenta no punho (7) um pouco para baixo, para aliviar a proteção de transporte (34).
- Puxar a proteção de transporte (34) completamente para fora.
- Conduzir lentamente o braço da ferramenta para cima.

#### Proteger a ferramenta elétrica (posição de transporte)

- Solte o parafuso de fixação (1), se este estiver a reter o dispositivo de tração (2). Puxe o braço da ferramenta totalmente para a frente e reaperte o parafuso de fixação para fixar o dispositivo de tração.
- Puxe o batente de profundidade (39) para cima.

#### Deslocar o carril limitador (ver figura H)

Ao serrar ângulos de meia-esquadria horizontais e/ou verticais, é necessário apertar o carril limitador (26) ajustável esquerdo ou direito para fora ou removê-lo completamente, consoante o sentido de corte.

Ângulo de meia-esquadria vertical	Ângulo de meia-esquadria horizontal	
0°–22,5° (esquerda/ direita)	> 0°	<ul style="list-style-type: none"> <li>– <b>Solte</b> o parafuso de travamento esquerdo/direito (44).</li> <li>– Puxe o carril limitador ajustável esquerdo/direito (26) totalmente para fora.</li> </ul>
22,5°–47° (esquerda/ direita)	≤ 48° (esquerda/ direita)	<ul style="list-style-type: none"> <li>– <b>Solte</b> o parafuso de travamento esquerdo/direito (44).</li> <li>– Puxe o carril limitador ajustável esquerdo/direito (26) totalmente para fora.</li> <li>– Eleve o carril limitador ajustável para frente.</li> </ul>

#### Fixar a peça a ser trabalhada (ver figura I)

A peça a ser trabalhada deverá ser sempre firmemente fixada, para assegurar uma segurança ideal de trabalho.

- Para travar a mesa de serrar (12), apertar o manípulo de fixação (16).
- Rode o braço da ferramenta para baixo pelo punho (7) até que seja possível pressionar a proteção de transporte (34) totalmente para dentro.

O braço da ferramenta está agora seguramente travado para o transporte.

## Preparação de trabalho

Após uso intensivo, deverá controlar, e se necessário corrigir, os ajustes básicos da ferramenta elétrica, para assegurar cortes precisos.

Para tal são necessárias experiência e ferramentas especiais.

Uma oficina de serviço pós-venda Bosch executa este trabalho de forma rápida e fiável.

### Prolongar/alargar a mesa de serra (ver figuras F–G)

Apoiar ou escorar as extremidades de peças compridas e pesadas.

A mesa de serra pode ser prolongada para a esquerda ou para a direita com a ajuda dos prolongamentos da mesa de serra (23).

- Solte o parafuso de fixação (22).
- Puxe o prolongamento da mesa de serrar (23) para fora até ao comprimento desejado.
- Para fixar o prolongamento da mesa de serra, aperte novamente o parafuso de fixação (22).

O sistema de encaixe flexível dos apoios para as peças (24) permite uma ampla gama de variantes de prolongamento ou alargamento.

- Consoante a necessidade, insira o apoio para as peças (24) nos encaixes (47) na ferramenta elétrica ou nos encaixes (48) do segundo apoio para as peças.

### ▶ **Nunca transporte a ferramenta elétrica pelos apoios para as peças.**

**Ao transportar a ferramenta elétrica utilize apenas os dispositivos de transporte.**

Não trabalhar em peças que sejam demasiadamente pequenas para serem fixas.

- Pressione a peça a ser trabalhada firmemente contra o carril limitador (26) e (25).

- Inserir o grampo fornecido (41) num dos furos (42) previstos para o efeito.
- Adaptar o tirante roscado (40) do grampo à altura da peça.
- Apertar o tirante roscado (40) fixando assim a peça a ser trabalhada.

### Ajustar ângulos de meia-esquadria horizontais

#### Ajustar ângulos de meia-esquadria padrão horizontais (ver figura J)

Para o ajuste rápido e preciso de ângulos de meia-esquadria horizontais usados frequentemente, existem entalhes (20) na mesa de serrar:

esquerda	0°	direita
45°; 30°; 22,5°; 15°		15°; 22,5°; 30°; 45°

- Solte o manípulo de fixação (16), caso este esteja apertado.
- Puxe a alavanca (17) e rode a mesa de serrar (12) para a esquerda ou para a direita até ao entalhe desejado.
- Solte novamente a alavanca. A alavanca deve engatar perceptivelmente no entalhe.
- Aperte novamente o manípulo de fixação (16).

#### Ajustar quaisquer ângulos de meia-esquadria horizontais (ver figura K)

O ângulo de meia-esquadria horizontal pode ser ajustado numa faixa de 48° (lado esquerdo) até 48° (lado direito).

- Solte o manípulo de fixação (16), caso este esteja apertado.
- Puxe a alavanca (17) e pressione em simultâneo o grampo de travamento (15), até que este encaixe na ranhura prevista para o efeito. Com isto a mesa de serrar move-se livremente.
- Rode a mesa de serrar (12) pelo manípulo de fixação para a esquerda ou para a direita, até que o indicador de ângulo (58) indique o ângulo de meia-esquadria horizontal desejado.
- Aperte novamente o manípulo de fixação (16).
- Para soltar novamente a alavanca (17) (para ajustar ângulos de meia-esquadria horizontais padrões) é necessário puxar a alavanca para cima. O grampo de travamento (15) salta para a posição inicial e a alavanca (17) pode engatar novamente nos entalhes (20).

### Ajustar ângulos de meia-esquadria verticais

O ângulo de meia-esquadria vertical pode ser ajustado numa faixa de 47° (lado esquerdo) até 47° (lado direito).

Para o ajuste rápido e preciso de ângulos de meia-esquadria verticais usados frequentemente, estão previstas posições fixas para os ângulos de 0°, 22,5° e 45°.

- Certifique-se de que a roda de fixação (45) está montada (ver "Montar a roda de fixação (ver figura A2)", Página 47).

### Ajustar ângulos de meia-esquadria padrões verticais (ver figura L)

- Puxe o carril limitador ajustável (26) completamente para fora ou retire-o completamente.
- Solte a roda de fixação (45).
- Puxe a alavanca com retenção (46) para fora e engate-a na posição de curso livre. Para o efeito, pode utilizar a amplitude total dos ângulos de meia-esquadria (à esquerda e à direita).
- Rode o braço da ferramenta pelo punho (7) para a esquerda ou direita, até que o indicador de ângulo (28) indique o ângulo de meia-esquadria vertical padrão desejado.
- Rode a alavanca com retenção (46). A alavanca com retenção tem de engatar de forma perceptível na posição do ângulo de meia-esquadria vertical padrão desejado.
- Volte a apertar a roda de fixação (45).

### Ajustar quaisquer ângulos de meia-esquadria verticais

- Puxe o carril limitador ajustável (26) completamente para fora ou retire-o completamente.
- Solte a roda de fixação (45).
- Puxe a alavanca com retenção (46) para fora e engate-a na posição de curso livre. Para o efeito, pode utilizar a amplitude total dos ângulos de meia-esquadria (à esquerda e à direita).
- Rodar o braço da ferramenta no punho (7) para a esquerda ou direita, até que o indicador de ângulo (28) indique o ângulo de meia-esquadria vertical desejado.
- Volte a apertar a roda de fixação (45).

### Colocação em funcionamento

- ▶ **Aperte sempre bem o manípulo de fixação (16) e a roda de fixação (45) antes de serrar.** Caso contrário o disco de serra poderá emperrar na peça a ser trabalhada.

#### Ligar (ver figura M)

- Para a ligar a ferramenta elétrica, desloque primeiro o bloqueio de ligação (5) para o centro, e prima de seguida o interruptor de ligar/desligar (6) e mantenha-o premido.

**Nota:** Por motivos de segurança o interruptor de ligar/desligar (6) não pode ser travado, mas deve permanecer premido durante o funcionamento.

#### Desligar

- Para desligar, soltar o interruptor de ligar/desligar (6).

### Serrar

#### Indicações gerais para serrar

- ▶ **Aperte sempre bem o manípulo de fixação (16) e a roda de fixação (45) antes de serrar.** Caso contrário o disco de serra poderá emperrar na peça a ser trabalhada.
- ▶ **Antes de todos os cortes, deverá assegurar-se de que a lâmina de serra não possa de modo algum entrar em contacto com o carril limitador, com os sargentos ou com quaisquer outras partes do aparelho. Se**

**houverem limitadores auxiliares montados, estes deverão ser removidos ou respetivamente adaptados.**

Proteger a lâmina de serra contra golpes e pancadas. A lâmina de serra não deve ser exposta a nenhuma pressão lateral.

Serre apenas materiais que estão permitidos em termos de utilização adequada.

Não trabalhar peças empenadas. A peça a ser trabalhada deve sempre ter um lado reto para encostar no carril limitador.

Apoiar ou escorar as extremidades de peças compridas e pesadas.

Assegure-se de que a cobertura de proteção pendular está a funcionar corretamente e pode ser movimentada livremente. Ao conduzir o braço da ferramenta para baixo, a capa de proteção pendular tem de se abrir. Ao conduzir o braço da ferramenta para cima, a capa de proteção pendular tem de se voltar a fechar por cima da lâmina e engatar na posição superior do braço da ferramenta.

**Posição do operador (ver figura N)**

► **Não se posicione em linha com o disco de serra, na frente da ferramenta elétrica, mas sempre deslocado lateralmente em relação ao disco de serra.** Desta forma o seu corpo estará protegido contra um possível contragolpe.

- Manter as mãos, os dedos e os braços afastados da lâmina de serra em rotação.
- Não cruzar as mãos à frente do braço da ferramenta.

**Serrar com movimento de tração**

- Para cortes com a ajuda do dispositivo de tração **(2)** (peças largas), soltar o parafuso de fixação **(1)**, caso este esteja apertado.
- Se necessário, ajustar o ângulo de meia-esquadria horizontal e/ou vertical pretendido.
- Pressione a peça a ser trabalhada firmemente contra o carril limitador **(25)** e **(26)**.
- Fixe a peça a ser trabalhada de acordo com as dimensões.
- Afastar o braço da ferramenta do carril limitador **(25)**, até a lâmina de serra estar na frente da peça a ser trabalhada.
- Ligue a ferramenta elétrica.
- Conduzir lentamente o braço da ferramenta com o punho **(7)** para baixo.
- Prima então o braço da ferramenta no sentido dos carris limitadores **(25)** e **(26)** e serre a peça a ser trabalhada com avanço uniforme.
- Desligue a ferramenta elétrica e aguarde até o disco de serra estar completamente parado.
- Conduza lentamente o braço da ferramenta para cima.

**Serrar sem movimento de tração (cortar) (ver figura O)**

- Para cortes sem movimento de tração (peças pequenas) soltar o parafuso de fixação **(1)**, caso este esteja apertado. Empurrar o braço da ferramenta até ao batente no sentido do carril limitador **(25)** e voltar a apertar o parafuso de fixação **(1)**.

- Se necessário, ajustar o ângulo de meia-esquadria horizontal e/ou vertical pretendido.
- Pressione a peça a ser trabalhada firmemente contra o carril limitador **(25)** e **(26)**.
- Fixe a peça a ser trabalhada de acordo com as dimensões.
- Ligue a ferramenta elétrica.
- Conduzir lentamente o braço da ferramenta com o punho **(7)** para baixo.
- Serre a peça com avanço uniforme.
- Desligue a ferramenta elétrica e aguarde até o disco de serra estar completamente parado.
- Conduza lentamente o braço da ferramenta para cima.

**Instruções de trabalho**

**Marcar a linha de corte (ver figura P)**

Dois raios lasers indicam a linha de corte do disco de serra. Assim a peça pode ser exatamente posicionada para ser serrada, sem que a cobertura de proteção angular tenha que ser aberta.

- Para tal, ligue os raios laser tocando brevemente no interruptor de ligar/desligar **(6)** sem premir o bloqueio de ligação **(5)**.
- Alinhe a sua marcação na peça a ser trabalhada entre as duas linhas laser.

**Nota:** Antes de serrar, verificar se a linha de corte ainda é indicada corretamente (ver "Ajustar o laser", Página 52). Os raios laser podem, por exemplo, ser desajustados por vibrações devido a um uso intensivo.

**Dimensões admissíveis da peça a ser trabalhada**

Máximo de peças a serem trabalhadas:

Ângulo de meia-esquadria horizontal	Ângulo de meia-esquadria vertical	Altura x largura [mm]
0°	0°	70 x 305
45° (esquerda/direita)	0°	70 x 215
45° (esquerda)	45° (esquerda)	42 x 215
45° (direita)	45° (direita)	20 x 215
0°	45° (esquerda)	42 x 305
0°	45° (direita)	20 x 305

Peças **mínimas** (= todas as peças que podem ser fixadas com o grampo fornecido **(41)** à esquerda ou à direita do disco de serra): 100 x 40 mm (comprimento x largura)

**Profundidade de corte máxima (0°/0°):** 70 mm

**Ajustar o limitador de profundidade (serrar ranhuras) (ver figura Q)**

O limitador de profundidade deve ser ajustado, se desejar serrar uma ranhura.

- Vire o limitador de profundidade **(39)** para a frente.
- Virar o braço da ferramenta no punho **(7)** para a posição desejada.

- Rode o parafuso de ajuste **(38)** até a extremidade do parafuso entrar em contacto com o limitador de profundidade **(39)**.
- Conduza lentamente o braço da ferramenta para cima.

#### Serrar peças com o mesmo comprimento (ver figura R)

Para serrar facilmente peças com o mesmo comprimento, pode utilizar o batente longitudinal esquerdo ou direito **(36)**.

- Rode o batente longitudinal **(36)** para cima.
- Ajuste o prolongamento da mesa de serra **(23)** para o comprimento da peça desejado.

#### Peças especiais

Ao serrar peças curvadas ou redondas é necessário fixá-las firmemente, de modo que não possam se movimentar. Na linha de corte não deve haver fendas entres a peça a ser trabalhada, o carril limitador e a mesa de serrar.

Se necessário, deverão ser fabricados suportes especiais.

#### Substituir as placas de alimentação (ver figura S)

As placas de alimentação **(14)** podem desgastar-se após um longo período de uso da ferramenta elétrica.

Placas de alimentação defeituosas devem ser substituídas.

- Coloque a ferramenta elétrica na posição de trabalho.
- Desaperte os parafusos **(54)** com uma chave de fenda em cruz convencional e retire a placa de alimentação antiga **(14)**.
- Coloque a nova placa de alimentação e volte a apertar os parafusos **(54)**.

#### Ajustar o laser

**Nota:** Para testar a função do laser é necessário que a ferramenta elétrica esteja conectada à alimentação elétrica.

- **Jamais acionar o interruptor de ligar/desligar durante o ajuste do laser (p. ex. ao movimentar o braço da ferramenta).** Um arranque involuntário da ferramenta elétrica pode causar ferimentos.
- Coloque a ferramenta elétrica na posição de trabalho.
- Rode a mesa de serrar **(12)** até ao entalhe **(20)** para 0°. A alavanca **(17)** tem de engatar perceptivelmente no entalhe.

Após uso intensivo, deverá verificar, e se necessário corrigir, os ajustes básicos dos raios laser, para assegurar cortes precisos.

Para tal são necessárias experiência e ferramentas especiais.

Um posto de assistência técnica Bosch executa este trabalho de forma rápida e fiável.

#### Verificar (ver figura T1)

- Desenhe uma linha de corte reta sobre a peça a ser trabalhada.
- Conduza lentamente o braço da ferramenta com o punho **(7)** para baixo.
- Posicione a peça a ser trabalhada, de modo que os dentes do disco de serra estejam alinhados à linha de corte.

- Mantenha a peça a ser trabalhada nesta posição e reconduza o braço da ferramenta lentamente para cima.
- Fixe a peça a ser trabalhada.
- Ligue os raios laser com o interruptor **(6)**, sem premir o bloqueio de ligação **(5)**.

Os raios laser devem estar ao longo de todo o comprimento, à esquerda e à direita, à mesma distância da linha de corte marcada sobre a peça, mesmo quando o braço da ferramenta é movimentado para baixo.

#### Retirar a capa de proteção contra laser (ver figura T2)

- Solte os dois parafusos **(55)** da capa de proteção contra laser **(8)** com a chave sextavada interior/chave de fenda **(43)** e retire a capa de proteção contra laser.

#### Ajustar o desvio ao movimentar o braço da ferramenta (ver figuras T3–T4)

- Solte o parafuso de fixação **(56)** (aprox. 1–2 voltas). Não desenrosque completamente o parafuso.
- Desloque a carcaça do laser **(57)** para a direita ou para a esquerda, até os raios laser deixarem de divergir lateralmente ao movimentar o braço da ferramenta para cima.
- Mantenha a carcaça do laser **(57)** nesta posição e volte a apertar o parafuso de fixação **(56)**.
- Fixe novamente a capa de proteção contra laser **(8)**.

#### Verifique e realize os ajustes básicos

Após uso intensivo, deverá controlar, e se necessário corrigir, os ajustes básicos da ferramenta elétrica, para assegurar cortes precisos.

Para tal são necessárias experiência e ferramentas especiais.

Uma oficina de serviço pós-venda Bosch executa este trabalho de forma rápida e fiável.

#### Alinhar indicador de ângulo (horizontal) (ver figura U)

- Coloque a ferramenta elétrica na posição de trabalho.
- Rode a mesa de serrar **(12)** até ao entalhe **(20)** para 0°. A alavanca **(17)** tem de engatar perceptivelmente no entalhe.

#### Verificar

O indicador de ângulo **(58)** tem de estar alinhado com a marca de 0° na escala **(21)**.

#### Ajustar

- Desaperte o parafuso **(59)** com a chave de fenda em cruz e alinhe o indicador de ângulo ao longo da marca de 0°.
- Reaperte o parafuso.

#### Alinhar o indicador de ângulo (vertical) (ver figura V)

- Coloque a ferramenta elétrica na posição de trabalho.
- Solte a roda de fixação **(45)**.
- Puxe a alavanca com retenção **(46)** para fora e ajuste com o braço da ferramenta um ângulo de meia-esquadria vertical de 0°.
- Solte a alavanca com retenção **(46)**. A alavanca com retenção tem de engatar de forma perceptível na posição
- Volte a apertar a roda de fixação **(45)**.

**Verificar**

O indicador de ângulo **(28)** tem de estar alinhado numa linha com a marca de 0° na escala **(27)**.

**Ajustar**

- Desaperte o parafuso **(60)** com a chave de fenda em cruz e alinhe o indicador de ângulo ao longo da marca de 0°.
- Reaperte o parafuso.

**Transporte da ferramenta elétrica (ver figura W)**

- ▶ **Antes de qualquer trabalho na ferramenta elétrica (p. ex. manutenção, troca de ferramenta, etc.) retire a bateria da mesma.** Há perigo de ferimentos se o interruptor de ligar/desligar for acionado involuntariamente.

Antes de um transporte da ferramenta elétrica é necessário executar os seguintes passos:

- Solte o parafuso de fixação **(1)**, caso este esteja apertado. Puxar o braço da ferramenta completamente para frente e reapertar o parafuso de fixação.
- Certifique-se de que o batente de profundidade **(39)** está rodado totalmente para trás e que não toca no parafuso de ajuste **(38)** ao movimentar o braço da ferramenta.
- Coloque a ferramenta elétrica na posição de transporte.
- Remover todos os acessórios que não estão montados firmemente na ferramenta elétrica. Se possível, os discos de serra não utilizados devem ser colocados dentro de um recipiente fechado durante o transporte.
- Coloque o punho de transporte **(3)** na vertical.
- Transporte a ferramenta elétrica pelo punho de transporte **(3)** ou pelas cavidades **(61)** na lateral da mesa de serra.
- ▶ **Ao transportar a ferramenta elétrica, utilize apenas os dispositivos de transporte e nunca os dispositivos de proteção ou os apoios para as peças.**

**Manutenção e assistência técnica****Manutenção e limpeza**

- ▶ **Antes de qualquer trabalho na ferramenta elétrica (p. ex. manutenção, troca de ferramenta, etc.) retire a bateria da mesma.** Há perigo de ferimentos se o interruptor de ligar/desligar for acionado involuntariamente.
- ▶ **Manter a ferramenta elétrica e as aberturas de ventilação sempre limpas, para trabalhar bem e de forma segura.**

A capa de proteção pendular deve sempre movimentar-se livremente e fechar-se automaticamente. Portanto deverá manter a área em volta da capa de proteção pendular sempre limpa.

Após cada etapa de trabalho deverá remover o pó e as aparas, soprando com ar comprimido ou limpando com um pincel.

Limpe regularmente o rolo de deslize **(11)**.

**Medidas para a redução de ruídos**

Medidas tomadas pelo fabricante:

- Arranque suave
- Fornecimento com um disco de serra especialmente desenvolvido para a redução de ruídos

Medidas tomadas pelo utilizador:

- Montagem com poucas vibrações, sobre uma superfície de trabalho firme
- Utilização de discos de serra com funções redutoras de ruídos
- Limpeza regular do disco de serra e da ferramenta elétrica

**Serviço pós-venda e aconselhamento**

O serviço pós-venda responde às suas perguntas a respeito de serviços de reparação e de manutenção do seu produto, assim como das peças sobressalentes. Desenhos explodidos e informações acerca das peças sobressalentes também em:

**www.bosch-pt.com**

A nossa equipa de consultores Bosch esclarece com prazer todas as suas dúvidas a respeito dos nossos produtos e acessórios.

Indique para todas as questões e encomendas de peças sobressalentes a referência de 10 dígitos de acordo com a placa de características do produto.

**Brasil**

Robert Bosch Ltda. – Divisão de Ferramentas Elétricas  
Rodovia Anhanguera, Km 98 - Parque Via Norte  
13065-900, CP 1195  
Campinas, São Paulo  
Tel.: 0800 7045 446  
[www.bosch.com.br/contato](http://www.bosch.com.br/contato)

**Encontra outros endereços da assistência técnica em:**

[www.bosch-pt.com/serviceaddresses](http://www.bosch-pt.com/serviceaddresses)

**Transporte**

As baterias de íões de lítio recomendadas estão sujeitas ao direito de materiais perigosos. As baterias podem ser transportadas na rua pelo utilizador, sem mais obrigações.

Na expedição por terceiros (por ex.: transporte aéreo ou expedição), devem ser observadas as especiais exigências quanto à embalagem e à designação. Neste caso é necessário consultar um especialista de materiais perigosos ao preparar a peça a ser trabalhada.

Só enviar baterias se a carcaça não estiver danificada. Colar contactos abertos e embalar a bateria de modo que não possa se movimentar dentro da embalagem. Por favor observe também eventuais diretivas nacionais suplementares.

**Eliminação**

As ferramentas elétricas, as baterias, os acessórios e as embalagens devem ser enviados a uma reciclagem ecológica de matéria prima.



Não deitar ferramentas elétricas e baterias/pilhas no lixo doméstico!

### Baterias/pilhas:

#### Lítio:

Observar as indicações no capítulo Transporte (ver "Transporte", Página 53).

## Español

### Indicaciones de seguridad

#### Advertencias de peligro generales para herramientas eléctricas

#### **⚠ ADVERTENCIA** Lea íntegramente las advertencias de peligro, las instrucciones, las ilustraciones y las especificaciones entregadas con esta herramienta eléctrica.

En caso de no atenerse a las instrucciones siguientes, ello puede ocasionar una descarga eléctrica, un incendio y/o una lesión grave.

#### Guarda todas las advertencias de peligro e instrucciones para futuras consultas.

El término "herramienta eléctrica" empleado en las siguientes advertencias de peligro se refiere a herramientas eléctricas de conexión a la red (con cable de red) y a herramientas eléctricas accionadas por acumulador (sin cable de red).

#### Seguridad del puesto de trabajo

- ▶ **Mantenga el área de trabajo limpia y bien iluminada.** Las áreas desordenadas u oscuras pueden provocar accidentes.
- ▶ **No utilice herramientas eléctricas en un entorno con peligro de explosión, en el que se encuentren combustibles líquidos, gases o material en polvo.** Las herramientas eléctricas producen chispas que pueden llegar a inflamar los materiales en polvo o vapores.
- ▶ **Mantenga alejados a los niños y otras personas de su puesto de trabajo al emplear la herramienta eléctrica.** Una distracción le puede hacer perder el control sobre la herramienta eléctrica.

#### Seguridad eléctrica

- ▶ **El enchufe de la herramienta eléctrica debe corresponder a la toma de corriente utilizada. No es admisible modificar el enchufe en forma alguna. No emplear adaptadores en herramientas eléctricas dotadas con una toma de tierra.** Los enchufes sin modificar adecuados a las respectivas tomas de corriente reducen el riesgo de una descarga eléctrica.
- ▶ **Evite que su cuerpo toque partes conectadas a tierra como tuberías, radiadores, cocinas y refrigeradores.**

El riesgo a quedar expuesto a una sacudida eléctrica es mayor si su cuerpo tiene contacto con tierra.

- ▶ **No exponga la herramienta eléctrica a la lluvia o a condiciones húmedas.** Existe el peligro de recibir una descarga eléctrica si penetran ciertos líquidos en la herramienta eléctrica.
- ▶ **No abuse del cable de red. No utilice el cable de red para transportar o colgar la herramienta eléctrica, ni tire de él para sacar el enchufe de la toma de corriente. Mantenga el cable de red alejado del calor, aceite, esquinas cortantes o piezas móviles.** Los cables de red dañados o enredados pueden provocar una descarga eléctrica.
- ▶ **Al trabajar con la herramienta eléctrica a la intemperie utilice solamente cables de prolongación apropiados para su uso al aire libre.** La utilización de un cable de prolongación adecuado para su uso en exteriores reduce el riesgo de una descarga eléctrica.
- ▶ **Si fuese imprescindible utilizar la herramienta eléctrica en un entorno húmedo, es necesario conectarla a través de un dispositivo de corriente residual (RCD) de seguridad (fusible diferencial).** La aplicación de un fusible diferencial reduce el riesgo a exponerse a una descarga eléctrica.

#### Seguridad de personas

- ▶ **Esté atento a lo que hace y emplee sentido común cuando utilice una herramienta eléctrica. No utilice la herramienta eléctrica si estuviese cansado, ni tampoco después de haber consumido drogas, alcohol o medicamentos.** El no estar atento durante el uso de la herramienta eléctrica puede provocar serias lesiones.
- ▶ **Utilice un equipo de protección personal. Utilice siempre una protección para los ojos.** El riesgo a lesionarse se reduce considerablemente si se utiliza un equipo de protección adecuado como una mascarilla antipolvo, zapatos de seguridad con suela antideslizante, casco, o protectores auditivos.
- ▶ **Evite una puesta en marcha involuntaria. Asegurarse de que la herramienta eléctrica esté desconectada antes de conectarla a la toma de corriente y/o al montar el acumulador, al recogerla y al transportarla.** Si transporta la herramienta eléctrica sujetándola por el interruptor de conexión/desconexión, o si alimenta la herramienta eléctrica estando ésta conectada, ello puede dar lugar a un accidente.
- ▶ **Retire las herramientas de ajuste o llaves fijas antes de conectar la herramienta eléctrica.** Una herramienta de ajuste o llave fija colocada en una pieza rotante puede producir lesiones al poner a funcionar la herramienta eléctrica.
- ▶ **Evite posturas arriesgadas. Trabaje sobre una base firme y mantenga el equilibrio en todo momento.** Ello le permitirá controlar mejor la herramienta eléctrica en caso de presentarse una situación inesperada.
- ▶ **Lleve puesta una vestimenta de trabajo adecuada. No utilice vestimenta amplia ni joyas. Mantenga su pelo y**

vestimenta alejados de las piezas móviles. La vestimenta suelta, el pelo largo y las joyas se pueden enganchar con las piezas en movimiento.

- ▶ **Si se proporcionan dispositivos para la conexión de las instalaciones de extracción y recogida de polvo, asegúrese que éstos estén conectados y que sean utilizados correctamente.** El empleo de estos equipos reduce los riesgos derivados del polvo.
- ▶ **No permita que la familiaridad ganada por el uso frecuente de herramientas eléctricas lo deje caer en la complacencia e ignore las normas de seguridad de herramientas.** Una acción negligente puede causar lesiones graves en una fracción de segundo.

#### Uso y trato cuidadoso de herramientas eléctricas

- ▶ **No sobrecargue la herramienta eléctrica. Utilice la herramienta eléctrica adecuada para su aplicación.** Con la herramienta eléctrica adecuada podrá trabajar mejor y más seguro dentro del margen de potencia indicado.
- ▶ **No utilice la herramienta eléctrica si el interruptor está defectuoso.** Las herramientas eléctricas que no se puedan conectar o desconectar son peligrosas y deben hacerse reparar.
- ▶ **Saque el enchufe de la red y/o retire el acumulador desmontable de la herramienta eléctrica, antes de realizar un ajuste, cambiar de accesorio o al guardar la herramienta eléctrica.** Esta medida preventiva reduce el riesgo a conectar accidentalmente la herramienta eléctrica.
- ▶ **Guarde las herramientas eléctricas fuera del alcance de los niños. No permita la utilización de la herramienta eléctrica a aquellas personas que no estén familiarizadas con su uso o que no hayan leído estas instrucciones.** Las herramientas eléctricas utilizadas por personas inexpertas son peligrosas.
- ▶ **Cuide las herramientas eléctricas y los accesorios. Controle la alineación de las piezas móviles, rotura de piezas y cualquier otra condición que pudiera afectar el funcionamiento de la herramienta eléctrica. En caso de daño, la herramienta eléctrica debe repararse antes de su uso.** Muchos de los accidentes se deben a herramientas eléctricas con un mantenimiento deficiente.
- ▶ **Mantenga los útiles limpios y afilados.** Los útiles mantenidos correctamente se dejan guiar y controlar mejor.
- ▶ **Utilice la herramienta eléctrica, los accesorios, los útiles, etc. de acuerdo a estas instrucciones, considerando en ello las condiciones de trabajo y la tarea a realizar.** El uso de herramientas eléctricas para trabajos diferentes de aquellos para los que han sido concebidas puede resultar peligroso.
- ▶ **Mantenga las empuñaduras y las superficies de las empuñaduras secas, limpias y libres de aceite y grasa.** Las empuñaduras y las superficies de las empuñaduras resbaladizas no permiten un manejo y control seguro de la herramienta eléctrica en situaciones imprevistas.

#### Trato y uso cuidadoso de herramientas accionadas por acumulador

- ▶ **Solamente recargar los acumuladores con los cargadores especificados por el fabricante.** Existe un riesgo de incendio al intentar cargar acumuladores de un tipo diferente al previsto para el cargador.
- ▶ **Utilice las herramientas eléctricas sólo con los acumuladores específicamente designados.** El uso de otro tipo de acumuladores puede provocar daños e incluso un incendio.
- ▶ **Si no utiliza el acumulador, guárdelo separado de objetos metálicos, como clips de papel, monedas, llaves, clavos, tornillos u otros objetos metálicos pequeños que pudieran puentear sus contactos.** El cortocircuito de los contactos del acumulador puede causar quemaduras o un incendio.
- ▶ **La utilización inadecuada del acumulador puede provocar fugas de líquido. Evite el contacto con él. En caso de un contacto accidental, enjuagar el área afectada con abundante agua. En caso de un contacto con los ojos, recurra además inmediatamente a ayuda médica.** El líquido del acumulador puede irritar la piel o producir quemaduras.
- ▶ **No emplee acumuladores o útiles dañados o modificados.** Los acumuladores dañados o modificados pueden comportarse en forma imprevisible y producir un fuego, explosión o peligro de lesión.
- ▶ **No exponga un paquete de baterías o una herramienta eléctrica al fuego o a una temperatura demasiado alta.** La exposición al fuego o a temperaturas sobre 130 °C puede causar una explosión.
- ▶ **Siga todas las instrucciones para la carga y no cargue nunca el acumulador o la herramienta eléctrica a una temperatura fuera del margen correspondiente especificado en las instrucciones.** Una carga inadecuada o a temperaturas fuera del margen especificado puede dañar el acumulador y aumentar el riesgo de incendio.

#### Servicio

- ▶ **Únicamente deje reparar su herramienta eléctrica por un experto cualificado, empleando exclusivamente piezas de repuesto originales.** Solamente así se mantiene la seguridad de la herramienta eléctrica.
- ▶ **No repare los acumuladores dañados.** El mantenimiento de los acumuladores sólo debe ser realizado por el fabricante o un servicio técnico autorizado.



#### Indicaciones de seguridad para sierras de ingletes

- ▶ **Las sierras para cortar ingletes se han previsto para cortar madera o productos semejantes y no se pueden utilizar para el corte abrasivo de materiales metálicos tales como barras, varillas, tornillos, etc.** El polvo abrasivo provoca el atascamiento de piezas móviles tales como la caperuza protectora inferior. Las chispas del corte abrasivo queman la caperuza protectora inferior, la placa y otras piezas de plástico.

- ▶ **En lo posible, fije la pieza de trabajo con abrazaderas. En caso de sujetar la pieza de trabajo con la mano, mantenga siempre su mano alejada al menos 100 mm de cada lado de la hoja de sierra. No utilice esta sierra para cortar piezas, que son muy pequeñas para fijarlas en forma segura o sujetarlas con la mano.** Si coloca su mano demasiado cerca de la hoja de sierra, existe un elevado riesgo de lesión por el contacto con la misma.
- ▶ **La pieza de trabajo debe quedar inmovilizada ya sea con abrazaderas o por el apriete contra el tope y la mesa. No desplace la pieza de trabajo hacia la hoja de sierra y no corte nunca "a manos libres".** Las piezas de trabajo sueltas o móviles pueden salir disparadas a gran velocidad y causar lesiones.
- ▶ **Desplace la sierra a través de la pieza de trabajo. Evite tirar la sierra a través de la pieza de trabajo. Para hacer un corte, eleve el cabezal de la sierra y tírelo por sobre la pieza de trabajo sin cortar, arranque el motor, presione hacia abajo el cabezal de la sierra y desplace la sierra a través de la pieza de trabajo.** Al cortar tirando existe el peligro, que la hoja de sierra se suba a la pieza de trabajo y la unidad de la hoja de sierra se lance violentamente hacia el operador.
- ▶ **Nunca cruce su mano a través de la línea de corte prevista, ni delante ni detrás de la hoja de sierra.** El apoyo de la pieza de trabajo "a manos cruzadas", es decir, sostener la pieza de trabajo a la derecha de la hoja de sierra con la mano izquierda o viceversa, es muy peligroso.
- ▶ **Mientras la hoja de sierra esté girando, no acerque ninguna de las manos detrás del tope a menos de 100 mm de cualquier lado de la hoja de sierra, para remover retazos de madera o por cualquier otra razón.** Posiblemente la proximidad de la hoja de sierra giratoria a su mano no es evidente y, por ello, puede lastimarse seriamente.
- ▶ **Examine la pieza de trabajo antes de realizar el corte. Si la pieza de trabajo está doblada o deformada, fjela con el lado curvado exterior hacia el tope. Asegúrese siempre, que a lo largo de la línea de corte no exista un intersticio entre la pieza de trabajo, el tope y la mesa.** Las piezas de trabajo dobladas o deformadas se pueden retorcer o dislocar y causar un atascamiento de la hoja de sierra giratoria durante el corte. No deben haber clavos u otros objetos extraños en la pieza de trabajo.
- ▶ **No use la sierra antes que la mesa esté libre de herramientas, desperdicios de madera, etc., con excepción de la pieza de trabajo.** Los desperdicios pequeños, las piezas de madera sueltas u otros objetos que entren en contacto con la hoja giratoria pueden salir lanzados con una alta velocidad.
- ▶ **Corte solamente una pieza de trabajo a la vez.** Las múltiples piezas de trabajo apiladas no se dejan fijar o sujetar adecuadamente y pueden atascar la hoja de sierra o dislocarse durante el corte.
- ▶ **Asegúrese que la sierra para cortar ingletes esté montada o emplazada sobre una superficie de trabajo plana y firme antes de su uso.** Una superficie de trabajo plana y firme reduce el peligro de la inestabilidad latente de la sierra oscilante para cortar ingletes.
- ▶ **Planifique su trabajo. Cada vez que modifique la inclinación de la hoja de sierra o el ángulo de inglete, asegúrese que el tope regulable esté correctamente ajustado y sujete la pieza de trabajo sin entrar en contacto con hoja de sierra o el sistema protector.** Sin conectar la herramienta y sin pieza de trabajo sobre la mesa, simular un movimiento de corte completo de la hoja de sierra para asegurarse que no existen impedimentos o peligros de cortar el tope.
- ▶ **En el caso de una pieza de trabajo más ancha o larga que la superficie de la mesa, prevea un apoyo adecuado como por ejemplo prolongaciones de mesa, caballetes para aserrar, etc.** Las piezas de trabajo más largas o anchas que la mesa de la sierra oscilante para cortar ingletes pueden inclinarse, si no están adecuadamente apoyadas. Si se inclina un pedazo de madera cortado o la pieza de trabajo, pueden elevar la caperuza protectora inferior o ser lanzados por la hoja de sierra giratoria.
- ▶ **No solicite la ayuda de otra persona como sustituto de una prolongación de mesa o un apoyo adicional.** Un apoyo inestable de la pieza de trabajo puede causar el atascamiento de la hoja de sierra o el desplazamiento de la pieza de trabajo durante el corte, tirándolo a usted así como también al ayudante hacia la hoja de sierra giratoria.
- ▶ **En ningún caso se debe empujar o presionar la pieza cortada contra la hoja de sierra giratoria.** Si hay poco espacio, p. ej. al usar topes longitudinales, la pieza cortada puede atascarse contra la hoja de sierra y salir lanzada violentamente.
- ▶ **Utilice siempre una abrazadera o un dispositivo adecuado para sujetar correctamente los materiales redondos como barras o tubos.** Las barras tienden a rodar durante el corte, por cuyo motivo se puede "agarrotar" la hoja y así tirar la pieza de trabajo con su mano hacia la hoja de sierra.
- ▶ **Deje que la hoja alcance el pleno número de revoluciones antes de comenzar con el corte de la pieza de trabajo.** Esto reduce el peligro del lanzamiento de la pieza de trabajo.
- ▶ **En el caso de un atascamiento de la pieza de trabajo o de la hoja, desconecte la sierra para cortar ingletes. Espere, hasta que se detengan todas las piezas móviles y saque el enchufe de la red y/o el acumulador. A continuación, retire el material atascado.** Si continúa aserrando con la pieza de trabajo atascada, puede causar una pérdida de control o un daño a la sierra oscilante para cortar ingletes.
- ▶ **Una vez finalizado el corte, suelte el interruptor, mantenga abajo el cabezal de la sierra y espere hasta la detención de la hoja antes de retirar la pieza cortada.** Es muy peligroso llevar la mano a las cercanías de la hoja aún en movimiento hasta la parada.
- ▶ **Sujete firmemente la empuñadura al realizar un corte incompleto o al soltar el interruptor, antes que el ca-**



bezal de la sierra haya alcanzado completamente su posición inferior. El efecto de frenado de la sierra puede tirar el cabezal de la sierra repentinamente hacia abajo, causando así un peligro de lesión.

- ▶ **No suelte la empuñadura cuando el cabezal de la sierra haya alcanzado la posición inferior. Devuelva siempre el cabezal de la sierra a la posición superior manualmente.** Si el cabezal de la sierra se mueve sin control, puede conducir a un riesgo de lesiones.
  - ▶ **Mantenga limpio su puesto de trabajo.** Las mezclas de materiales son particularmente peligrosas. El polvo de metal ligero puede arder o explotar.
  - ▶ **No use hojas de sierra melladas, fisuradas, deformadas, ni dañadas. Las hojas de sierra con dientes mellados o incorrectamente triscados producen una ranura de corte demasiado estrecha, lo que provoca una fricción excesiva y el atasco de la hoja de sierra o el retroceso brusco de la pieza de trabajo.**
  - ▶ **No use hojas de sierra de acero rápido de alta aleación (acero HSS).** Las hojas de sierra de este tipo pueden romperse fácilmente.
  - ▶ **Utilice siempre hojas de sierra con agujeros de eje del tamaño y la forma correctos (de diamante/redondas).** Las hojas de sierra que no coincidan con el mecanismo de montaje de la sierra se descentrarán y provocarán una pérdida del control.
  - ▶ **Nunca intente retirar restos de material, virutas, o cosas similares del área de corte con la herramienta eléctrica en funcionamiento.** Antes de desconectar la herramienta eléctrica gire primeramente el brazo de la herramienta a la posición de reposo.
  - ▶ **Después de trabajar con la hoja de sierra, espere a que ésta se haya enfriado antes de tocarla.** La hoja de sierra puede llegar a ponerse muy caliente al trabajar.
  - ▶ **En caso de daño y uso inapropiado del acumulador pueden emanar vapores. El acumulador se puede quemar o explotar.** En tal caso, busque un entorno con aire fresco y acuda a un médico si nota molestias. Los vapores pueden llegar a irritar las vías respiratorias.
  - ▶ **No intente abrir el acumulador.** Podría provocar un cortocircuito.
  - ▶ **Mediante objetos puntiagudos, como p. ej. clavos o destornilladores, o por influjo de fuerza exterior se puede dañar el acumulador.** Se puede generar un cortocircuito interno y el acumulador puede arder, humear, explotar o sobrecalentarse.
  - ▶ **Utilice el acumulador sólo en productos del fabricante.** Solamente así queda protegido el acumulador contra una sobrecarga peligrosa.
-  **Proteja la batería del calor excesivo, además de, p. ej., una exposición prolongada al sol, la suciedad, el fuego, el agua o la humedad.**
-  Existe riesgo de explosión y cortocircuito.

- ▶ **Este aparato no está previsto para la utilización por personas (inclusive niños) con limitadas capacidades físicas, sensoriales o intelectuales o con falta de expe-**

riencia y conocimientos, a menos que sean supervisados por una persona responsable de su seguridad o hayan sido instruidos por la misma en la utilización del aparato.

- ▶ **Los niños deben ser supervisados para asegurarse de que no usen el aparato como un juguete.**
- ▶ **La herramienta eléctrica se suministra con un rótulo de advertencia láser (ver tabla «Simbología y su significado»).**
- ▶ **Si el texto del rótulo de advertencia láser no está en su idioma del país, entonces cúbralo con la etiqueta adhesiva adjunta en su idioma del país antes de la primera puesta en marcha.**
- ▶ **Jamás desvirtúe las señales de advertencia de la herramienta eléctrica.**



**No oriente el rayo láser sobre personas o animales y no mire hacia el rayo láser directo o reflejado.** Debido a ello, puede deslumbrar personas, causar accidentes o dañar el ojo.

- ▶ **Si la radiación láser incide en el ojo, debe cerrar conscientemente los ojos y mover inmediatamente la cabeza fuera del rayo.**
- ▶ **No efectúe modificaciones en el equipamiento del láser.** Las posibilidades de ajuste descritas en estas instrucciones de servicio las puede utilizar sin peligro.
- ▶ **No deje que niños utilicen la herramienta eléctrica sin vigilancia.** Podrían deslumbrar involuntariamente a otras personas o a sí mismo

## Símbolos

Los símbolos mostrados a continuación pueden ser de importancia en el uso de la herramienta eléctrica. Es importante que retenga en su memoria estos símbolos y su significado. La interpretación correcta de estos símbolos le ayudará a manejar mejor, y de forma más segura, la herramienta eléctrica.

### Simbología y su significado



BEAM RADIATION  
DO NOT STARE INTO BEAM  
CLASS 2 LASER PRODUCT  
EN: 0895-1-2014  
© 2014 BOSCH

#### Radiación láser

**No mire en el haz de radiación Láser de la clase 2**



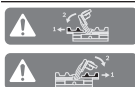
**Mantenga las manos alejadas del área de corte durante el funcionamiento de la herramienta eléctrica.** Peligro de lesiones al tocar la hoja de sierra.



**Colóquese una máscara contra el polvo.**

**Simbología y su significado****Use gafas protectoras.****Utilice orejeras.** El ruido intenso puede provocar sordera.**¡Área de peligro! Mantenga manos, dedos y brazos alejados de esta zona.**

Para transportarla, sujete la herramienta eléctrica en los puntos aquí marcados (cavidades) o por la empuñadura de transporte.



Al serrar ángulos a inglete verticales, se debe tirar de los rielles de tope regulables o retirarlos totalmente.



Tenga en cuenta las dimensiones de la hoja de sierra (diámetro de la hoja de sierra **D**, diámetro de taladro **d**). El diámetro de taladro **d** debe ajustarse sin holgura en el husillo portaútiles. En caso de que sea necesaria la utilización de reductores, preste atención a que las dimensiones del reductor sean las adecuadas para el grosor de la hoja base y el diámetro de taladro de la hoja de sierra, así como para el diámetro del husillo portaútiles. Utilice en lo posible los reductores suministrados con la hoja de sierra.

El diámetro de la hoja de sierra **D** debe corresponder a la indicación del símbolo.

Véase también "Dimensiones de las hojas de sierra adecuadas" en el capítulo "Datos técnicos".

**Descripción del producto y servicio****Lea íntegramente estas indicaciones de seguridad e instrucciones.** Las faltas de observación de las indicaciones de seguridad y de las instrucciones pueden causar descargas eléctricas, incendios y/o lesiones graves.

Por favor, observe las ilustraciones en la parte inicial de las instrucciones de servicio.

**Utilización reglamentaria**

La herramienta eléctrica ha sido proyectada para realizar estacionariamente cortes rectilíneos a lo largo y a lo ancho en

madera. En ello son posibles ángulos de inglete horizontales de  $-48^\circ$  hasta  $+48^\circ$  así como ángulos de inglete verticales de  $47^\circ$  (lado izquierdo) hasta  $47^\circ$  (lado derecho).

La herramienta eléctrica ha sido dotada con una potencia propicia para serrar maderas duras, blandas, tableros de aglomerado y de fibras.

Empleando las hojas de sierra correspondientes es posible serrar también perfiles de aluminio y plástico.

**Componentes principales**

La numeración de los componentes representados se refiere a la imagen de la herramienta eléctrica en la página ilustrada.

- (1) Tornillo de fijación del dispositivo de desplazamiento
- (2) Dispositivo de desplazamiento
- (3) Empuñadura de transporte
- (4) Cubierta protectora
- (5) Bloqueo de conexión para interruptor de conexión/desconexión
- (6) Interruptor de conexión/desconexión
- (7) Empuñadura
- (8) Tapa de protección del láser
- (9) Abertura de salida del rayo láser
- (10) Cubierta protectora pendular
- (11) Rodillo de deslizamiento
- (12) Mesa de corte
- (13) Taladros de sujeción
- (14) Placa de inserción
- (15) Clip de enclavamiento
- (16) Mango de bloqueo para ángulos de inglete discretos (horizontal)
- (17) Palanca para ajuste de ángulos de inglete estándar (horizontal)
- (18) Protección contra vuelco
- (19) Señal de aviso láser
- (20) Muecas para ángulos de inglete estándar (horizontales)
- (21) Escala para ángulo de inglete (horizontal)
- (22) Tornillo de fijación para prolongación de mesa
- (23) Prolongación de mesa
- (24) Soporte de la pieza de trabajo (flexible enchufable)
- (25) Regleta tope fija
- (26) Regleta tope ajustable
- (27) Escala para ángulos de inglete (vertical)
- (28) Indicador de ángulos de inglete (vertical)
- (29) Protección contra virutas
- (30) Hoja de sierra
- (31) Bloqueo del husillo
- (32) Tecla de extracción de la batería

- |                                                                                                                                                                                                                                                                                                                                                                                                                                                                                                                                                                                                                                                                                                         |                                                                                                                                                                                                                                                                                                                                                                                                                                                                                                                                                                                                                                                                                                                                                                                                                                                                                                        |
|---------------------------------------------------------------------------------------------------------------------------------------------------------------------------------------------------------------------------------------------------------------------------------------------------------------------------------------------------------------------------------------------------------------------------------------------------------------------------------------------------------------------------------------------------------------------------------------------------------------------------------------------------------------------------------------------------------|--------------------------------------------------------------------------------------------------------------------------------------------------------------------------------------------------------------------------------------------------------------------------------------------------------------------------------------------------------------------------------------------------------------------------------------------------------------------------------------------------------------------------------------------------------------------------------------------------------------------------------------------------------------------------------------------------------------------------------------------------------------------------------------------------------------------------------------------------------------------------------------------------------|
| <ul style="list-style-type: none"> <li>(33) Acumulador</li> <li>(34) Seguro para transporte</li> <li>(35) Estribo antivuelco</li> <li>(36) Tope longitudinal</li> <li>(37) Bolsa para polvo</li> <li>(38) Tornillo de reglaje del tope de profundidad</li> <li>(39) Tope de profundidad</li> <li>(40) Barra roscada</li> <li>(41) Tornillo de apriete</li> <li>(42) Taladros para tornillos de apriete</li> <li>(43) Llave macho hexagonal/destornillador para tornillos ranurados</li> <li>(44) Tornillo de retención de la regleta tope ajustable</li> <li>(45) Rueda de sujeción para ángulos de inglete (vertical)</li> <li>(46) Palanca de retención para ángulos de inglete (vertical)</li> </ul> | <ul style="list-style-type: none"> <li>(47) Alojamiento del soporte de la pieza de trabajo (en la herramienta eléctrica)</li> <li>(48) Alojamiento para segundo soporte de la pieza de trabajo (en el soporte de la pieza de trabajo)</li> <li>(49) Perno roscado</li> <li>(50) Adaptador de aspiración</li> <li>(51) Tornillo con hexágono interior para sujeción de la hoja de sierra</li> <li>(52) Brida de apriete</li> <li>(53) Brida de apriete interior</li> <li>(54) Tornillo de fijación para placa de inserción</li> <li>(55) Tornillo de la tapa de protección del láser</li> <li>(56) Tornillo de fijación para la carcasa del láser</li> <li>(57) Carcasa del láser</li> <li>(58) Indicador de ángulos de inglete (horizontales)</li> <li>(59) Tornillo de indicador de ángulos (horizontal)</li> <li>(60) Tornillo de indicador de ángulos (vertical)</li> <li>(61) Cavidades</li> </ul> |
|---------------------------------------------------------------------------------------------------------------------------------------------------------------------------------------------------------------------------------------------------------------------------------------------------------------------------------------------------------------------------------------------------------------------------------------------------------------------------------------------------------------------------------------------------------------------------------------------------------------------------------------------------------------------------------------------------------|--------------------------------------------------------------------------------------------------------------------------------------------------------------------------------------------------------------------------------------------------------------------------------------------------------------------------------------------------------------------------------------------------------------------------------------------------------------------------------------------------------------------------------------------------------------------------------------------------------------------------------------------------------------------------------------------------------------------------------------------------------------------------------------------------------------------------------------------------------------------------------------------------------|

### Datos técnicos

Sierra de paneles accionada por acumulador		GCM 18V-216 D	GCM 18V-216 D
Número de artículo		<b>3 601 M51 0..</b>	<b>3 601 M51 0B. 3 601 M51 08.</b>
Tensión nominal	V=	18	18
Número de revoluciones en vacío <sup>A)</sup>	min <sup>-1</sup>	5000	5000
Tipo de láser	nm	650	650
	mW	< 1	< 1
Clase de láser		2	2
Peso <sup>B)</sup>	kg	16,4–17,4	16,4–17,4
Temperatura ambiente recomendada durante la carga	°C	0 ... +35	0 ... +35
Temperatura ambiente permitida durante el funcionamiento <sup>C)</sup> y el almacenamiento	°C	-20 ... +50	-20 ... +50
Acumuladores recomendados		GBA 18V... ProCORE18V...	GBA 18V... ProCORE18V...
Cargadores recomendados		GAL 18... GAX 18... GAL 36...	GAL 18... GAX 18... GAL 36...

### Medidas que deberán cumplir las hojas de sierra

Diámetro de la hoja de sierra <b>D</b>	mm	216	216
Grosor de la hoja base	mm	1,2–1,8	1,2–1,8
Diámetro de taladrado <b>d</b>	mm	30	25,4

A) Medido a 20–25 °C con acumulador **ProCORE18V 8.0Ah**.

B) depende de la batería utilizada

C) Potencia limitada a temperaturas < 0 °C

Dimensiones admisibles de las piezas de trabajo (máxima/mínima):(ver "Dimensiones admisibles de las piezas de trabajo", Página 65)

Los valores pueden variar dependiendo del producto y están sujetos a la aplicación y a las condiciones medioambientales. Más información en [www.bosch-professional.com/wac](http://www.bosch-professional.com/wac).

## Información sobre el ruido

Valores de emisión de ruidos determinados según **EN IEC 62841-3-9**.

El nivel de ruidos valorado con A de la herramienta eléctrica asciende típicamente a: Nivel de presión acústica **93 dB(A)**; nivel de potencia acústica **107 dB(A)**. Inseguridad K = **3 dB**.

### ¡Utilice protección para los oídos!

El valor de emisiones de ruidos indicado en estas instrucciones ha sido determinado según un procedimiento de medición normalizado y puede servir como base de comparación con otras herramientas eléctricas. También es adecuado para estimar provisionalmente la emisión de ruidos.

El valor de emisiones de ruidos indicado ha sido determinado para las aplicaciones principales de la herramienta eléctrica. Por ello, el valor de emisiones de ruidos puede ser diferente si la herramienta eléctrica se utiliza para otras aplicaciones, con útiles diferentes, o si el mantenimiento de la misma fuese deficiente. Ello puede suponer un aumento drástico de la emisión de ruidos durante el tiempo total de trabajo. Para determinar con exactitud las emisiones de ruidos, es necesario considerar también aquellos tiempos en los que el aparato esté desconectado, o bien, esté en funcionamiento, pero sin ser utilizado realmente. Ello puede suponer una disminución drástica de las emisiones de ruidos durante el tiempo total de trabajo.

## Acumulador

**Bosch** también vende herramientas eléctricas accionadas por acumulador sin acumulador. En el embalaje puede ver si un acumulador está incluido en el volumen de suministro de su herramienta eléctrica.

### Carga del acumulador

- **Utilice únicamente los cargadores que se enumeran en los datos técnicos.** Solamente estos cargadores han sido especialmente adaptados a los acumuladores de iones de litio empleados en su herramienta eléctrica.

**Indicación:** Los acumuladores de iones de litio se entregan parcialmente cargados debido a la normativa de transporte internacional. Con el fin de obtener la plena potencia del acumulador, cargue completamente el acumulador antes de su primer uso.

### Montaje del acumulador

Desplace el acumulador cargado en el alojamiento del acumulador, hasta que encastre perceptible.

### Desmontaje del acumulador



Para la extracción del acumulador, presione la tecla de desenclavamiento y retire el acumulador. **No proceda con brusquedad.**

El acumulador dispone de 2 etapas de enclavamiento para evitar que se salga en el caso de un accionamiento accidental de la tecla de desenclavamiento del acumulador. Mientras la batería esté montada en la herramienta eléctrica, permanecerá retenida en su posición mediante un resorte.

## Indicador del estado de carga del acumulador

Indicación: No cada tipo de acumulador dispone de un indicador de estado de carga.

Los LEDs verdes del indicador del estado de carga del acumulador indican el estado de carga del acumulador. Por motivos de seguridad, la consulta del estado de carga es solo posible con la herramienta eléctrica parada.

Presione la tecla del indicador de estado de carga  o , para indicar el estado de carga. Esto también es posible con el acumulador desmontado.

Si tras presionar la tecla del indicador de estado de carga no se enciende ningún LED, significa que el acumulador está defectuoso y debe sustituirse.

### Tipo de acumulador GBA 18V...



Diodo luminoso (LED)	Capacidad
Luz permanente 3 × verde	60–100 %
Luz permanente 2 × verde	30–60 %
Luz permanente 1 × verde	5–30 %
Luz intermitente 1 × verde	0–5 %

### Tipo de acumulador ProCORE18V...



Diodo luminoso (LED)	Capacidad
Luz permanente 5 × verde	80–100 %
Luz permanente 4 × verde	60–80 %
Luz permanente 3 × verde	40–60 %
Luz permanente 2 × verde	20–40 %
Luz permanente 1 × verde	5–20 %
Luz intermitente 1 × verde	0–5 %

## Indicaciones para el trato óptimo del acumulador

Proteja el acumulador de la humedad y del agua.

Únicamente almacene el acumulador en el margen de temperatura desde -20 °C hasta 50 °C. P.ej., no deje el acumulador en el coche en verano.

Limpie de vez en cuando las rejillas de refrigeración del acumulador con un pincel suave, limpio y seco.

Si después de una recarga, el tiempo de funcionamiento del acumulador fuese muy reducido, ello es señal de que éste está agotado y deberá sustituirse.

Observe las indicaciones referentes a la eliminación.

## Montaje

- **Antes de realizar cualquier trabajo en la herramienta eléctrica (p. ej., mantenimiento, cambio de herramienta, etc.), retire el acumulador de la herramienta eléctrica.** En caso contrario podría accidentarse al accio-

nar fortuitamente el interruptor de conexión/desconexión.

### Material que se adjunta



Observe al respecto la representación del volumen de suministro al principio de las instrucciones de servicio.

Antes de la primera puesta en marcha de la herramienta eléctrica, cerciórese de que se han suministrado todas las partes que a continuación se detallan:

- Ingletadora telescópica con hoja de sierra montada
- Rueda de sujeción (45)
- Riel de tope ajustable (26)
- Tornillo de apriete (41)
- Llave macho hexagonal/destornillador para tornillos ranurados (43)
- Bolsa para polvo (37)
- Soportes de la pieza de trabajo (24) (2 unidades)

**Indicación:** Compruebe la herramienta eléctrica respecto a posibles daños.

Antes de seguir utilizando la herramienta eléctrica deberá controlarse minuciosamente si los dispositivos protectores, o las partes dañadas, aún si el daño fuese leve, funcionan correcta y reglamentariamente. Verifique si están dañadas las partes móviles y que puedan moverse libremente, sin atasarse. Todas las partes, además de estar correctamente montadas, deberán satisfacer todas las condiciones para asegurar una operación correcta.

Los dispositivos protectores y las partes dañadas deberán hacerse reparar o sustituir por un taller especializado autorizado.

### Montaje de componentes

- Saque cuidadosamente del embalaje todas las partes suministradas.
- Retire completamente todo el material de embalaje del aparato y de los accesorios suministrados.
- Para que el montaje de los elementos del aparato le resulte más fácil, deberá cuidar que el aparato se encuentre en la posición de transporte.

### Montaje de los soportes de la pieza de trabajo (ver figura A1)

Los soportes de la pieza de trabajo (24) pueden colocarse a la izquierda, a la derecha o en la parte delantera de la herramienta eléctrica. El sistema enchufable flexible le permite una variedad de opciones de prolongación o ensanchamiento (ver figura G).

- Inserte el soporte de la pieza de trabajo (24) en los alojamientos (47) de la herramienta eléctrica o en los alojamientos (48) del segundo soporte de la pieza, según sea necesario.

### ► Nunca transporte la herramienta eléctrica por los soportes de la pieza de trabajo.

**Al transportar la herramienta eléctrica, utilice únicamente los dispositivos de transporte.**

### Montaje de la rueda de sujeción (ver figura A2)

La rueda de sujeción (45) fija el ángulo de inglete vertical ajustado y es necesaria para un funcionamiento seguro.

- Desenrosque la tuerca hexagonal del perno roscado (49).
- Atornille la rueda de sujeción (45) en el sentido de las agujas del reloj en el perno roscado (49) y apriétela.

### Montaje de la regleta tope ajustable (ver figura A3)

La regleta tope ajustable (26) debe montarse antes de asestrar.

- Desplace la regleta tope (26) a la derecha de la hoja de sierra en la ranura correspondiente y apriete el tornillo de retención (44).

La parte aplanada de la regleta tope debe estar orientada hacia el interior en dirección a la hoja de sierra.

### Montaje estacionario o transitorio

► **Para garantizar un manejo seguro deberá trabajarse con la herramienta eléctrica colocándola sobre una base de trabajo plana y estable (p. ej. un banco de trabajo).**

### Montaje sobre una superficie de trabajo (ver figura B1-B2)

- Sujete la herramienta eléctrica a la superficie de trabajo con unos tornillos de sujeción adecuados. Para ello se utilizan los agujeros (13).

o

- Sujete los pies de la herramienta eléctrica a la superficie de trabajo con unos tornillos de apriete convencionales.

### Montaje sobre una mesa de trabajo Bosch

Las mesas de trabajo GTA de Bosch soportan perfectamente la herramienta eléctrica incluso en firmes irregulares, gracias a sus pies ajustables en altura. Los soportes de la pieza de trabajo que integran las mesas de trabajo sirven para apoyar piezas de trabajo largas.

► **Lea íntegramente las advertencias de peligro e instrucciones que se adjuntan con la mesa de trabajo.** En caso de no atenerse a las advertencias de peligro e instrucciones, ello puede ocasionar una electrocución, un incendio y/o lesión grave.

► **Ensamble correctamente la mesa de trabajo antes de montar la herramienta eléctrica.** Un ensamble correcto es primordial para conseguir una buena estabilidad y evitar accidentes.

- Monte la herramienta eléctrica, teniéndola colocada en la posición de transporte, sobre la mesa de trabajo.

### Instalación flexible (¡No recomendada!) (ver figura B3)

Si en casos excepcionales no es posible montar la herramienta eléctrica sobre una superficie de trabajo plana y estable, se puede emplazar provisoriamente con una protección contra vuelco.

► **Sin la protección contra vuelco, la herramienta eléctrica no se encuentra emplazada en forma segura y puede volcar especialmente al asestrar ángulos de inglete horizontales y/o verticales máximos.**

- Gire la protección contra vuelco **(18)** hacia adentro o hacia afuera, hasta que la herramienta eléctrica quede recta en la superficie de trabajo.

### Aspiración de polvo y virutas

El polvo de ciertos materiales como, pinturas que contengan plomo, ciertos tipos de madera y algunos minerales y metales, puede ser nocivo para la salud. El contacto y la inspiración de estos polvos pueden provocar en el usuario o en las personas circundantes reacciones alérgicas y/o enfermedades respiratorias.

Ciertos polvos como los de roble, encina y haya son considerados como cancerígenos, especialmente en combinación con los aditivos para el tratamiento de la madera (cromatos, conservantes de la madera). Los materiales que contengan amianto solamente deberán ser procesados por especialistas.

- A ser posible utilice un equipo para aspiración de polvo apropiado para el material a trabajar.
- Observe que esté bien ventilado el puesto de trabajo.
- Se recomienda una mascarilla protectora con un filtro de la clase P2.

Observe las prescripciones vigentes en su país sobre los materiales a trabajar.

- ▶ **Evite acumulaciones de polvo en el puesto de trabajo.**  
Los materiales en polvo se pueden inflamar fácilmente.

El conducto de aspiración de polvo y virutas puede llegar a obstruirse con polvo, virutas o fragmentos de la pieza de trabajo.

- Apague la herramienta eléctrica y extraiga la batería.
- Espere, a que se haya detenido completamente la hoja de sierra.
- Determine y subsane la causa de la obstrucción.

### Aspiración propia (ver figura C)

Para una recogida sencilla de virutas, utilice el saco para polvo **(37)** incluido en el suministro.

- Coloque el asa de transporte **(3)** en posición vertical.
- Introduzca y gire el saco para polvo **(37)** en el adaptador para aspiración **(50)** de tal modo que la espiga del saco para polvo quede encastrada en la entalladura del adaptador para aspiración.

Cuidar que al serrar, el saco colector de polvo no alcance a tocar nunca las partes móviles del aparato.

Vacíe el saco para polvo con suficiente antelación.

- ▶ **Controle y limpie el saco para polvo después de cada uso.**
- ▶ **Para evitar que pueda incendiarse desmonte el saco para polvo al serrar aluminio.**

### Aspiración externa

Para la aspiración, al adaptador de aspiración **(50)** puede conectar también una manguera de un aspirador ( $\varnothing$  35 mm).

- Una la manguera del aspirador con el adaptador para aspiración **(50)**.

El aspirador debe ser adecuado para el material a trabajar.

Para aspirar polvo especialmente nocivo para la salud, cancerígeno, o polvo seco utilice un aspirador especial.

### Sustitución de la hoja de sierra (ver figura D1–D4)

- ▶ **Antes de realizar cualquier trabajo en la herramienta eléctrica (p. ej., mantenimiento, cambio de herramienta, etc.), retire el acumulador de la herramienta eléctrica.** En caso contrario podría accidentarse al accionar fortuitamente el interruptor de conexión/desconexión.

- ▶ **Al montar la hoja de sierra utilice unos guantes de protección.** Al tocar la hoja de sierra existe peligro de lesiones.

Solamente use hojas de sierra cuyas revoluciones máximas admisibles sean superiores a las revoluciones en vacío de la herramienta eléctrica.

Únicamente use hojas de sierra con las características indicadas en estas instrucciones de manejo que hayan sido ensayadas y vayan marcadas conforme a EN 847-1.

Solamente utilice hojas de sierra recomendadas por el fabricante de esta herramienta eléctrica, adecuadas al material a trabajar. Esto evita un sobrecalentamiento de los dientes de la sierra al serrar.

### Desmontaje de la hoja de sierra

- Coloque la herramienta eléctrica en la posición de trabajo.
- Gire la caperuza protectora pendular **(10)** hacia atrás y manténgala en esa posición.
- Gire el tornillo con hexágono interior **(51)** con la llave macho hexagonal **(6 mm)** **(43)** y presione simultáneamente el bloqueo del husillo **(31)**, hasta que encastre.
- Mantenga oprimido el bloqueo del husillo **(31)** y desenrosque el tornillo con hexágono interior **(51)** en sentido de giro de las agujas del reloj (¡Rosca a la izquierda!).
- Retire la brida tensora **(52)**.
- Retire la hoja de sierra **(30)**.
- Guíe lentamente hacia abajo la caperuza protectora pendular.

### Montaje de la hoja de sierra

- ▶ **¡Preste atención en el montaje a que el sentido de corte de los dientes (dirección de la flecha en la hoja de sierra) coincida con la dirección de la flecha que va marcada en la caperuza protectora!**

Si fuese necesario, limpie primero las piezas antes de montarlas.

- Gire la caperuza protectora pendular **(10)** hacia atrás y manténgala en esa posición.
- Coloque la nueva hoja de sierra en la brida tensora interior **(53)**.
- Coloque la brida tensora **(52)** y el tornillo con hexágono interior **(51)**. Presione el bloqueo del husillo **(31)** hasta su encastre y apriete el tornillo con hexágono interior contra el sentido de giro de las agujas del reloj.

- Guíe lentamente hacia abajo la caperuza protectora pen-  
dular.

## Operación

- **Antes de realizar cualquier trabajo en la herramienta eléctrica (p. ej., mantenimiento, cambio de herramienta, etc.), retire el acumulador de la herramienta eléctrica.** En caso contrario podría accidentarse al accio-  
nar fortuitamente el interruptor de conexión/desconexión.

### Seguro para el transporte (ver figura E)

El seguro para el transporte (34) le permite un manejo más fácil de la herramienta eléctrica al transportarla a diferentes lugares de aplicación.

#### Desenclavamiento del seguro de la herramienta eléctrica (posición de trabajo)

- Presione el brazo de la herramienta por la empuñadura (7) ligeramente hacia abajo para liberar el seguro para el transporte (34).
- Tire totalmente hacia afuera el seguro para el transporte (34).
- Guíe lentamente, hacia arriba, el brazo de la herramienta.

#### Enclavamiento del seguro de la herramienta eléctrica (posición de transporte)

- Suelte el tornillo de apriete (1), en caso que éste atasque el dispositivo de tracción (2). Tire el brazo de la herramienta totalmente hacia adelante y apriete de nuevo el tornillo de apriete para bloquear el dispositivo de tracción.
- Tire el tope de profundidad (39) hacia arriba.
- Para bloquear la mesa de corte (12), apretar el mango de bloqueo (16).
- Vire hacia abajo el brazo de la herramienta por el asidero (7), hasta que se deje apretar totalmente hacia el interior el seguro de retención para el transporte (34).

### Desplazamiento de la regleta tope (ver figura H)

En el caso de ángulos de inglete verticales y/u horizontales, y según el sentido de corte, debe tirar hacia afuera la regleta tope ajustable izquierda o derecha (26) o retirarla totalmente.

Ángulo de inglete vertical	Ángulo de inglete horizontal	
0°–22,5° (izquierda/derecha)	> 0°	<ul style="list-style-type: none"> <li>– Afloje el tornillo de retención izquierdo/derecho (44).</li> <li>– Tire completamente hacia afuera la regleta tope ajustable izquierda/derecha (26).</li> </ul>
22,5°–47° (izquierda/derecha)	≤ 48° (izquierda/derecha)	<ul style="list-style-type: none"> <li>– Afloje el tornillo de retención izquierdo/derecho (44).</li> <li>– Tire completamente hacia afuera la regleta tope ajustable izquierda/derecha (26).</li> <li>– Retire hacia arriba la regleta tope ajustable.</li> </ul>

### Sujeción de la pieza de trabajo (ver figura I)

Para obtener una seguridad máxima en el trabajo deberá sujetarse siempre firmemente la pieza.  
No sierre piezas tan pequeñas que no puedan sujetarse convenientemente.

El brazo de la herramienta queda entonces enclavado de forma segura para el transporte.

### Preparativos para el trabajo

Si la herramienta eléctrica ha estado sometida a un uso intenso, deberá verificarse y reajustarse, dado el caso, para garantizar un corte exacto.

Para ello se requiere cierta experiencia y la correspondiente herramienta especial.

El servicio técnico Bosch realiza este trabajo rápida y concienzudamente.

### Prolongación/ensanchamiento de la mesa de corte (ver figuras F–G)

En las piezas de trabajo largas y pesadas, su extremo libre deberá soportarse convenientemente.

La mesa de corte se puede prolongar con la ayuda de las prolongaciones de la mesa de corte (23), hacia la izquierda y hacia la derecha.

- Suelte el tornillo de fijación (22).
- Tire las prolongaciones de la mesa de corte (23) hacia afuera hasta la longitud deseada.
- Para la fijación de la prolongación de la mesa, apriete de nuevo el tornillo de fijación (22).

El sistema enchufable flexible de los soportes de la pieza de trabajo (24) le permite una variedad de opciones de prolongación o ensanchamiento.

- Inserte el soporte de la pieza de trabajo (24) en los alojamientos (47) de la herramienta eléctrica o en los alojamientos (48) del segundo soporte de la pieza, según sea necesario.

### ► Nunca transporte la herramienta eléctrica por los soportes de la pieza de trabajo.

**Al transportar la herramienta eléctrica, utilice únicamente los dispositivos de transporte.**

- Presione la pieza de trabajo firmemente contra las regletas topes (26) y (25).
- Introduzca el tornillo de apriete (41) suministrado en uno de los taladros (42) previstos para el caso.

- Adapte la barra roscada (40) del tornillo de apriete a la altura de la pieza de trabajo.
- Apriete la barra roscada (40) y fije así la pieza de trabajo.

### Ajuste del ángulo de inglete horizontal

#### Ajuste de los ángulos de inglete horizontales estándar (ver figura J)

Para un ajuste rápido y preciso de los ángulos de inglete horizontales de uso frecuente, se han previsto muescas (20) en la mesa de corte:

izquierda	0°	derecha
45°; 30°; 22,5°; 15°		15°; 22,5°; 30°; 45°

- Suelte el mango de bloqueo (16), si estaba apretado.
- Tire de la palanca (17) y gire la mesa de corte (12) hasta la muesca deseada, hacia la izquierda o hacia la derecha.
- Suelte la palanca. Ésta deberá enclavar en la muesca de forma perceptible.
- Apriete de nuevo el mango de bloqueo (16).

#### Ajuste de los ángulos de inglete horizontales discrecionales (ver figura K)

El ángulo de inglete horizontal se puede ajustar en un rango de 48° (lado izquierdo) hasta 48° (lado derecho).

- Suelte el mango de bloqueo (16), si estaba apretado.
- Tire la palanca (17) y presione simultáneamente el clip de enclavamiento (15) hasta que este encastre en la ranura prevista. Esto permite el libre movimiento de la mesa de corte.
- Gire la mesa de cortar (12) por el mango de bloqueo hacia la izquierda o la derecha, hasta que el indicador de ángulo (58) indique el ángulo de inglete horizontal deseado.
- Apriete de nuevo el mango de bloqueo (16).
- Para liberar de nuevo la palanca (17) (para ajustar ángulos de inglete horizontales estándar) tire de la palanca hacia arriba.  
El clip de enclavamiento (15) salta automáticamente a la posición de partida, permitiendo que la palanca (17) pueda enclavar de nuevo en las muescas (20).

### Ajuste del ángulo de inglete vertical

El ángulo de inglete vertical se puede ajustar en un rango de 47° (lado izquierdo) hasta 47° (lado derecho).

Para un ajuste rápido y preciso de los ángulos de inglete verticales frecuentemente utilizados, se han previsto posiciones fijas para los ángulos de 0°, 22,5° y 45°.

- Asegúrese de que la rueda de sujeción (45) esté montada (ver "Montaje de la rueda de sujeción (ver figura A2)", Página 61).

#### Ajuste de los ángulos de inglete verticales estándar (ver figura L)

- Tire la regleta tope ajustable (26) totalmente hacia afuera o retírela completamente.
- Suelte la rueda de sujeción (45).

- Tire de la palanca de retención (46) hacia fuera y engánchela en la posición de rueda libre.  
Así, puede utilizar el margen completo de ángulos de inglete verticales (izquierda y derecha).
- Gire el brazo de la herramienta por la empuñadura (7) hacia la izquierda o la derecha, hasta que el indicador de ángulo (28) indique el ángulo de inglete vertical estándar deseado.
- Gire la palanca de retención (46). La palanca de retención debe encajar perceptiblemente en la posición del ángulo de inglete vertical estándar deseado.
- Vuelva a apretar la rueda de sujeción (45).

#### Ajuste de ángulos de inglete verticales discrecionales

- Tire la regleta tope ajustable (26) totalmente hacia afuera o retírela completamente.
- Suelte la rueda de sujeción (45).
- Tire de la palanca de retención (46) hacia fuera y engánchela en la posición de rueda libre.  
Así, puede utilizar el margen completo de ángulos de inglete verticales (izquierda y derecha).
- Gire el brazo de la herramienta por la empuñadura (7) hacia la izquierda o la derecha, hasta que el indicador de ángulo (28) indique el ángulo de inglete vertical deseado.
- Vuelva a apretar la rueda de sujeción (45).

### Puesta en marcha

- ▶ **Apriete siempre firmemente el mango de bloqueo (16) y la rueda de sujeción (45) antes de aserrar.** De lo contrario podría llegar a ladearse la hoja de sierra en la pieza de trabajo.

#### Conexión (ver figura M)

- Para la **conexión** de la herramienta eléctrica, desplace **primero** el bloqueo de conexión (5) hacia el centro y presione **luego** el interruptor de conexión/desconexión (6) y manténgalo oprimido.

**Indicación:** Por motivos de seguridad, no se puede bloquear el interruptor de conexión/desconexión (6), sino debe mantenerse pulsado permanentemente durante el servicio.

#### Desconexión

- Para **apagarla**, suelte el interruptor de conexión/desconexión (6).

### Serrado

#### Instrucciones generales para serrar

- ▶ **Apriete siempre firmemente el mango de bloqueo (16) y la rueda de sujeción (45) antes de aserrar.** De lo contrario podría llegar a ladearse la hoja de sierra en la pieza de trabajo.
- ▶ **Antes de comenzar a serrar deberá cerciorarse primeramente de que la hoja de sierra no pueda tocar en ningún momento la regleta tope, los tornillos de apriete, u otros elementos del aparato. Desmonte, si procede, los topes auxiliares o adaptelos de forma adecuada.**



Proteja la hoja de sierra contra golpes y choques. No ejerza una presión lateral contra la hoja de sierra.

Sierra solo materiales cuya utilización responda a las disposiciones pertinentes.

No trabaje piezas que estén deformadas. La pieza de trabajo deberá disponer siempre de un canto recto para poder asentarla de forma fiable contra la regleta tope.

En las piezas de trabajo largas y pesadas, su extremo libre deberá soportarse convenientemente.

Cerciórese de que la caperuza protectora pendular funcione correctamente y que sus piezas puedan moverse libremente. Al conducir hacia abajo el brazo de la herramienta, se debe abrir la caperuza protectora pendular. Al conducir hacia arriba el brazo de la herramienta, se debe cerrar de nuevo la caperuza protectora pendular sobre la hoja de la sierra y enclavarse en la posición superior del brazo de la herramienta.

#### Posición del operador (ver figura N)

► **No se coloque detrás de la herramienta eléctrica, en línea con la hoja de sierra, sino a un lado de la misma.**

De esta manera su cuerpo queda protegido en caso de retroceder bruscamente la pieza.

- Mantenga alejados de la hoja de sierra en funcionamiento las manos, dedos y brazos.
- No cruce las manos delante del brazo de la herramienta.

#### Cortes con desplazamiento horizontal

- Para cortes con ayuda del movimiento de tracción (2) (piezas anchas) suelte el tornillo de sujeción (1), si se encuentra apretado.
- En caso necesario, ajuste el ángulo de inglete horizontal y/o vertical deseado.
- Presione la pieza de trabajo firmemente contra las regletas topes (25) y (26).
- Sujete la pieza de trabajo considerando sus dimensiones.
- Tire del brazo de la herramienta para separarlo respecto a la regleta tope (25), de manera que la hoja de sierra quede frente a la pieza.
- Conecte la herramienta eléctrica.
- Baje lentamente el brazo de la herramienta con la empuñadura (7).
- Empuje entonces el brazo de la herramienta en dirección de la regleta de tope (25) y (26) y lleve a cabo el aserrado de la pieza de trabajo con avance uniforme.
- Desconecte la herramienta eléctrica y espere a que la hoja de sierra se haya detenido por completo.
- Guíe lentamente, hacia arriba, el brazo de la herramienta.

#### Cortes sin desplazamiento horizontal (descabezar) (ver figura O)

- Para cortes sin movimiento de tracción (piezas pequeñas) suelte el tornillo de sujeción (1), si se encuentra apretado. Desplace el brazo de la herramienta hasta el tope en dirección de las regletas topes (25) y apriete de nuevo el tornillo de sujeción (1).
- En caso necesario, ajuste el ángulo de inglete horizontal y/o vertical deseado.

- Presione la pieza de trabajo firmemente contra las regletas topes (25) y (26).
- Sujete la pieza de trabajo considerando sus dimensiones.
- Conecte la herramienta eléctrica.
- Baje lentamente el brazo de la herramienta con la empuñadura (7).
- Sierre la pieza de trabajo con un avance uniforme.
- Desconecte la herramienta eléctrica y espere a que la hoja de sierra se haya detenido por completo.
- Guíe lentamente, hacia arriba, el brazo de la herramienta.

#### Instrucciones para la operación

##### Marcado de la línea de corte (ver figura P)

Dos rayos láser indican la línea del corte de la hoja de sierra. Ello permite posicionar exactamente la pieza de trabajo, sin tener que abrir la caperuza protectora pendular.

- Conecte para ello los rayos láser pulsando ligeramente el interruptor de conexión/desconexión (6), sin presionar el bloqueo conexión (5).
- Haga coincidir la marca en la pieza de trabajo con el centro entre ambas líneas láser.

**Indicación:** Compruebe ante de serrar, si se indica correctamente la línea de corte (ver "Reajuste del rayo láser", Página 66). Los rayos láser pueden llegar a desajustarse tras un uso intenso, p. ej., por las vibraciones producidas.

##### Dimensiones admisibles de las piezas de trabajo

Piezas de trabajo máximas:

Ángulo de inglete horizontal	Ángulo de inglete vertical	Altura × ancho [mm]
0°	0°	70 × 305
45° (izquierda/derecha)	0°	70 × 215
45° (izquierda)	45° (izquierda)	42 × 215
45° (derecha)	45° (derecha)	20 × 215
0°	45° (izquierda)	42 × 305
0°	45° (derecha)	20 × 305

Tamaño **mínimo** de las piezas (= todas las piezas de trabajo que se pueden sujetar con la mordaza de rosca (41) suministrada, a la izquierda o a la derecha de la hoja de sierra): 100 x 40 mm (largo x ancho)

**Profundidad de corte máxima** (0°/0°): 70 mm

##### Ajuste del tope de profundidad (serrado de ranuras) (ver figura Q)

Si desea serrar una ranura es preciso ajustar primero el tope de profundidad.

- Gire el tope de profundidad (39) hacia delante.
- Gire el brazo de la herramienta por la empuñadura (7) a la posición deseada.
- Gire el tornillo de reglaje (38), hasta asentar su extremo contra el tope de profundidad (39).
- Guíe lentamente, hacia arriba, el brazo de la herramienta.

### Serrado de piezas de trabajo de igual longitud (ver figura R)

Para un corte fácil de piezas de trabajo de igual longitud, puede usar el tope longitudinal izquierdo o derecho (36) (accesorio).

- Gire el tope longitudinal (36) hacia arriba.
- Ajuste la prolongación de la mesa de corte (23) a la longitud de pieza de trabajo deseada.

### Piezas de sujeción crítica

Al serrar piezas curvadas o cilíndricas éstas deberán sujetarse con especial cuidado. A lo largo de la línea de corte no deberá existir ninguna luz entre la pieza de trabajo, la regleta tope y la mesa de corte.

Si fuese preciso, deberán emplearse unos soportes especiales para sujetar la pieza.

### Cambio de las placas de inserción (ver figura S)

Las placas de inserción (14) pueden desgastarse tras un uso prolongado de la herramienta eléctrica.

Sustituya las placas de inserción si están defectuosas.

- Coloque la herramienta eléctrica en la posición de trabajo.
- Desenrosque los tornillos (54) con un destornillador de estrella corriente en el comercio y extraiga la placa de inserción antigua (14).
- Coloque la nueva placa de inserción y enrosque de nuevo firmemente los tornillos (54).

### Reajuste del rayo láser

**Indicación:** Para verificar el funcionamiento del láser, la herramienta eléctrica debe estar conectada a la alimentación de corriente.

- ▶ **Jamás accione el interruptor de conexión/desconexión durante el ajuste del láser (p. ej. al mover el brazo de la herramienta).** Una puesta en marcha fortuita de la herramienta eléctrica puede provocar lesiones.
- Coloque la herramienta eléctrica en la posición de trabajo.
- Gire la mesa de cortar (12) hasta la muesca (20) de 0°. La palanca (17) debe enclavar en la muesca perceptiblemente.

Tras un uso intenso deberá verificar y, dado el caso, reajustar de nuevo los rayos láser para garantizar cortes exactos. Para ello se requiere cierta experiencia y la correspondiente herramienta especial.

El servicio técnico Bosch realiza este trabajo rápida y concienzudamente.

### Control (ver figura T1)

- Trace una línea recta sobre una pieza de trabajo.
- Baje lentamente el brazo de la herramienta con la empuñadura (7).
- Oriente la pieza de manera que los dientes de la hoja de sierra queden alineados con la línea de corte.

- Mantenga firmemente sujeta la pieza de trabajo en esa posición y gire lentamente hacia arriba el brazo de la herramienta.
- Sujete la pieza con la mordaza.
- Conecte los rayos láser con el interruptor (6), sin presionar el bloqueo de conexión (5).

Los rayos láser deberán quedar equidistantes respecto a la línea de corte trazada en la pieza de trabajo, en toda la longitud, incluso al bajar el brazo deslizante.

### Retirada de la tapa de protección del láser (ver figura T2)

- Afloje los dos tornillos (55) de la tapa de protección del láser (8) con la llave macho hexagonal/destornillador para tornillos ranurados (43) y retire la tapa de protección del láser.

### Ajuste de la desviación lateral al mover el brazo de la herramienta (ver figuras T3-T4)

- Suelte el tornillo de fijación (56) (aprox. 1–2 vueltas). No desenrosque completamente el tornillo.
- Desplace la carcasa del láser (57) hacia la derecha o la izquierda, hasta lograr que los rayos láser no se desvíen lateralmente al descender el brazo de la herramienta.
- Mantenga la carcasa del láser (57) en esta posición y vuelva a apretar los tornillos de fijación (56).
- Vuelva a fijar la tapa de protección del láser (8).

### Comprobación y reajuste del ajuste básico

Si la herramienta eléctrica ha estado sometida a un uso intenso, deberá verificarse y reajustarse, dado el caso, para garantizar un corte exacto.

Para ello se requiere cierta experiencia y la correspondiente herramienta especial.

El servicio técnico Bosch realiza este trabajo rápida y concienzudamente.

### Alinear el indicador de ángulo (horizontal) (ver figura U)

- Coloque la herramienta eléctrica en la posición de trabajo.
- Gire la mesa de cortar (12) hasta la muesca (20) de 0°. La palanca (17) debe enclavar en la muesca perceptiblemente.

### Control

El indicador de ángulo (58) debe estar en una línea con la marca de 0 mm de la escala (21).

### Reajuste

- Suelte el tornillo (59) con el destornillador de estrella y ajuste el indicador de ángulo a lo largo de la marca de 0°.
- A continuación, apriete el tornillo.

### Alinear el indicador de ángulo (vertical) (ver figura V)

- Coloque la herramienta eléctrica en la posición de trabajo.
- Suelte la rueda de sujeción (45).
- Tire de la palanca de retención (46) hacia fuera y ajuste un ángulo de inglete vertical de 0° con el brazo de la herramienta.

- Suelte la palanca de retención (46). La palanca de retención debe encajar de forma perceptible en la posición
- Vuelva a apretar la rueda de sujeción (45).

#### Control

El indicador de ángulo (28) debe estar en una línea con la marca de 0° de la escala (27).

#### Reajuste

- Suelte el tornillo (60) con el destornillador de estrella y ajuste el indicador de ángulo a lo largo de la marca de 0°.
- A continuación, apriete el tornillo.

### Transporte de la herramienta eléctrica (ver figura W)

- ▶ **Antes de realizar cualquier trabajo en la herramienta eléctrica (p. ej., mantenimiento, cambio de herramienta, etc.), retire el acumulador de la herramienta eléctrica.** En caso contrario podría accidentarse al accionar fortuitamente el interruptor de conexión/desconexión.

Antes de transportar la herramienta eléctrica deberá realizar los pasos siguientes:

- Suelte el tornillo de sujeción (1), si estaba apretada. Tire hacia delante del brazo de la herramienta, hasta el tope, y apriete el tornillo de fijación.
- Asegúrese de que el tope de profundidad (39) esté girado completamente hacia atrás y el tornillo de ajuste (38) no toque nada al mover el brazo de la herramienta.
- Coloque la herramienta eléctrica en la posición de transporte.
- Retire todos los accesorios que no puedan montarse de forma fija en la herramienta eléctrica. Procure transportar siempre las hojas de sierra que no precise en un recipiente cerrado.
- Coloque el asa de transporte (3) en posición vertical.
- Lleve la herramienta eléctrica por el asa de transporte (3) o por las concavidades de asidero (61) laterales de la mesa de corte.
- ▶ **Para transportar la herramienta eléctrica sujétela exclusivamente por los dispositivos de transporte y jamás por los dispositivos de protección o los soportes de la pieza de trabajo.**

## Mantenimiento y servicio

### Mantenimiento y limpieza

- ▶ **Antes de realizar cualquier trabajo en la herramienta eléctrica (p. ej., mantenimiento, cambio de herramienta, etc.), retire el acumulador de la herramienta eléctrica.** En caso contrario podría accidentarse al accionar fortuitamente el interruptor de conexión/desconexión.
- ▶ **Mantenga limpia la herramienta eléctrica y las rejillas de refrigeración para trabajar con eficacia y seguridad.**

La caperuza protectora pendular deberá poder moverse y cerrarse siempre por sí sola. Por ello, es necesario mantener limpio siempre el área en torno a la caperuza protectora pendular.

Después de cada fase de trabajo, elimine el polvo y las virutas soplando aire comprimido o con un pincel.

Limpie periódicamente el rodillo (11).

#### Medidas para la reducción de ruido

Medidas tomadas por el fabricante:

- Arranque suave
- Suministro con una hoja de sierra especialmente insonorizada

Medidas a tomar por el usuario:

- Realizar el montaje sobre una base de trabajo estable y que vibre poco
- Uso de hojas de sierra especiales que generen poco ruido
- Limpieza periódica de la hoja de sierra y de la herramienta eléctrica

#### Servicio técnico y atención al cliente

El servicio técnico le asesorará en las consultas que pueda Ud. tener sobre la reparación y mantenimiento de su producto, así como sobre piezas de recambio. Las representaciones gráficas tridimensionales e informaciones de repuestos se encuentran también bajo: **www.bosch-pt.com**

El equipo asesor de aplicaciones de Bosch le ayuda gustosamente en caso de preguntas sobre nuestros productos y sus accesorios.

Para cualquier consulta o pedido de piezas de repuesto es imprescindible indicar el nº de artículo de 10 dígitos que figura en la placa de características del producto.

#### México

Robert Bosch, S. de R.L. de C.V.  
Calle Robert Bosch No. 405  
C.P. 50071 Zona Industrial, Toluca – Estado de México  
Tel.: (52) 55 528430-62  
Tel.: 800 6271286  
[www.boschherramientas.com.mx](http://www.boschherramientas.com.mx)

**Direcciones de servicio adicionales se encuentran bajo:**  
[www.bosch-pt.com/serviceaddresses](http://www.bosch-pt.com/serviceaddresses)

#### Transporte

Los acumuladores de iones de litio recomendados están sujetos a los requerimientos de la ley de mercancías peligrosas. Los acumuladores pueden ser transportados por carretera por el usuario sin más imposiciones.

En el envío por terceros (p. ej., transporte aéreo o por agencia de transportes) deberán considerarse las exigencias especiales en cuanto a su embalaje e identificación. En este caso deberá recurrirse a los servicios de un experto en mercancías peligrosas al preparar la pieza para su envío.

Únicamente envíe acumuladores si su carcasa no está dañada. Si los contactos no van protegidos cúbralos con cinta adhesiva y embale el acumulador de manera que éste no se pueda mover dentro del embalaje. Observe también las

prescrições adicionales que pudieran existir al respecto en su país.

### Eliminación



Las herramientas eléctricas, acumuladores, accesorios y embalajes deberán someterse a un proceso de recuperación que respete el medio ambiente.



¡No arroje las herramientas eléctricas, acumuladores o pilas a la basura!

### Acumuladores/pilas:

#### Iones de Litio:

Por favor, observe las indicaciones en el apartado Transporte (ver "Transporte", Página 67).



El símbolo es solamente válido, si también se encuentra sobre la placa de características del producto/fabricado.

## Português do Brasil

### Indicações de segurança

#### Avisos de segurança para ferramentas em geral



Leia todas as indicações de segurança, instruções, ilustrações

e especificações fornecidas com esta ferramenta

elétrica. O desrespeito das instruções apresentadas abaixo poderá resultar em choque elétrico, incêndio e/ou ferimentos graves.

**Guarde todas as advertências e instruções para futura referência.**

O termo "ferramenta elétrica" em todos os avisos listados abaixo referem-se a ferramenta alimentada através de seu cordão de alimentação ou a ferramenta operada a bateria (sem cordão).

#### Segurança da área de trabalho

- ▶ **Mantenha a área de trabalho limpa e bem iluminada.** As áreas de trabalho desarrumadas ou escuras podem levar a acidentes.
- ▶ **Não opere as ferramentas elétricas em atmosferas explosivas, ou seja, na presença de líquidos, gases ou pó inflamáveis.** As ferramentas criam faíscas que podem inflamar a poeira ou os vapores.
- ▶ **Mantenha as crianças e outras pessoas afastadas da ferramenta elétrica durante o uso.** As distrações podem resultar na perda do controle.

#### Segurança elétrica

- ▶ **Os plugues da ferramenta devem ser compatíveis com as tomadas. Nunca modifique o plugue. Não use plugues de adaptador com ferramentas aterradas.** Os plugues sem modificações aliados a utilização de tomadas compatíveis reduzem o risco de choque elétrico.
- ▶ **Evite o contato do corpo com superfícies aterradas, como tubos, aquecedores, fogões e geladeiras.** Há um risco elevado de choque elétrico se seu corpo estiver aterrado.
- ▶ **Mantenha as ferramentas elétricas afastadas da chuva ou umidade.** A entrada de água em uma ferramenta elétrica aumenta o risco de choque elétrico.
- ▶ **Não use o cabo para outras finalidades. Jamais use o cabo para transportar, puxar ou desconectar a ferramenta elétrica. Mantenha o cabo afastado do calor, do óleo, de arestas afiadas ou de partes móveis.** Os cabos danificados ou emaranhados aumentam o risco de um choque elétrico.
- ▶ **Ao operar uma ferramenta elétrica ao ar livre, use um cabo de extensão adequado para áreas exteriores.** O uso de um cabo de extensão apropriado para áreas exteriores reduz o risco de choque elétrico.
- ▶ **Se não for possível evitar o funcionamento da ferramenta elétrica em áreas úmidas, utilizar uma alimentação protegida por um dispositivo de corrente diferencial residual (DR).** O uso de um DR reduz o risco de um choque elétrico.

#### Segurança pessoal

- ▶ **Fique atento, olhe o que está fazendo e use o bom senso ao operar uma ferramenta. Não use uma ferramenta elétrica quando estiver cansado ou sob a influência de drogas, álcool ou medicamentos.** Um momento de desatenção enquanto opera uma ferramenta pode resultar em graves ferimento pessoal.
- ▶ **Use equipamento de proteção individual. Use sempre óculos de proteção.** O uso de equipamento de proteção individual, como máscara de proteção contra poeira, sapatos de segurança antiderrapantes, capacete de segurança ou proteção auricular, usado nas condições adequadas irá reduzir o risco de ferimentos pessoais.
- ▶ **Evite a partida não intencional. Assegure-se de que o interruptor está na posição de desligado antes de conectar o plugue na tomada e/ou bateria, pegar ou carregar a ferramenta.** Carregar as ferramentas com o seu dedo no interruptor ou conectar as ferramentas que apresentam interruptor na posição "ligado", são convites a acidentes.
- ▶ **Remova qualquer ferramenta ou chave de ajuste antes de ligar a ferramenta elétrica.** Uma ferramenta ou chave ainda ligada a uma parte rotativa da ferramenta elétrica pode resultar em ferimentos pessoais.
- ▶ **Evite uma posição anormal. Mantenha uma posição firme e mantenha sempre o equilíbrio.** Desta forma é mais fácil controlar a ferramenta elétrica em situações inesperadas.

- ▶ **Use vestuário apropriado. Não use roupa larga nem joias. Mantenha seus cabelos e roupas afastados de partes móveis.** As roupas largas, joias ou cabelos longos podem ser agarrados por partes móveis.
- ▶ **Se for possível montar dispositivos de aspiração ou de coleta, assegure-se de que são conectados e usados corretamente.** O uso de um dispositivo de coleta de poeira pode reduzir os riscos associados a poeiras.
- ▶ **Não deixe que a familiaridade resultante do uso frequente de ferramentas permita que você se torne complacente e ignore os princípios de segurança da ferramenta.** Uma ação descuidada pode causar ferimentos graves numa fração de segundo.

#### Uso e manuseio cuidadoso da ferramenta elétrica

- ▶ **Não sobrecarregue a ferramenta elétrica. Use a ferramenta elétrica correta para a sua aplicação.** É melhor e mais seguro trabalhar com a ferramenta elétrica apropriada na área de potência para a qual foi projetada.
- ▶ **Não use a ferramenta elétrica se o interruptor estiver defeituoso.** Qualquer ferramenta elétrica que não pode mais ser controlada com o interruptor é perigosa e deve ser reparada.
- ▶ **Desconecte o plugue da alimentação e/ou remova a bateria, se removível, da ferramenta elétrica antes de efetuar ajustes, trocar acessórios ou guardar as ferramentas elétricas.** Tais medidas de segurança preventivas reduzem o risco de se ligar a ferramenta acidentalmente.
- ▶ **Guarde as ferramentas elétricas não utilizadas fora do alcance das crianças e não permita que as pessoas que não estejam familiarizadas com a ferramenta elétrica ou com essas instruções usem a ferramenta elétrica.** As ferramentas elétricas são perigosas nas mãos de usuários não treinados.
- ▶ **Trate as ferramentas elétricas e acessórios com cuidado. Cheque o desalinhamento ou coesão das partes móveis, rachaduras e qualquer outra condição que possa afetar a operação da ferramenta. Se houver danos, repare a ferramenta elétrica antes do uso.** Muitos acidentes são causados por ferramentas elétricas com manutenção inadequada.
- ▶ **Mantenha as ferramentas de corte afiadas e limpas.** As ferramentas de corte cuidadosamente mantidas e com arestas de corte afiadas emperram com menos frequência e são mais fáceis de controlar.
- ▶ **Use a ferramenta elétrica, acessórios, bits etc. de acordo com essas instruções, considerando as condições de trabalho e o trabalho a executar.** O uso da ferramenta elétrica em tarefas diferentes das previstas poderá resultar em uma situação perigosa.
- ▶ **Mantenha as empunhadouras e as superfícies de agarrar secas, limpas e livres de óleo e graxa.** As empunhadouras e superfícies de agarrar escorregadias não permitem o manuseio e controle seguros da ferramenta em situações inesperadas.

#### Manuseio e uso cuidadoso da ferramenta com bateria

- ▶ **Recarregar somente com o carregador especificado pelo fabricante.** Um carregador que é adequado para um tipo de bateria pode gerar risco de fogo quando utilizado com outro tipo de bateria.
- ▶ **Use as ferramentas somente com as baterias especificamente designadas.** O uso de outro tipo de bateria pode gerar risco de ferimento e fogo.
- ▶ **Quando a bateria não estiver em uso, mantenha-o afastado de objetos metálicos como clips, moedas, chaves, pregos, parafusos ou outros objetos metálicos pequenos que podem fazer a ligação de um terminal com o outro.** O curto-circuito dos terminais da bateria pode gerar queimaduras ou fogo.
- ▶ **Sob condições abusivas, líquidos podem vaziar ser expelidos pela bateria; evite o contato. Se o contato acidental ocorrer, lave com água. Se o líquido entrar em contato com os olhos, consulte um médico.** Líquido expelido pela bateria podem causar irritação ou queimaduras.
- ▶ **Não use uma bateria ou uma ferramenta danificada ou modificada.** As baterias danificadas ou modificadas exibem um comportamento imprevisível podendo causar incêndio, explosão ou risco de ferimentos.
- ▶ **Não exponha a bateria ou a ferramenta ao fogo ou temperaturas excessivas.** A exposição ao fogo ou a temperaturas acima de 130 °C pode causar explosão.
- ▶ **Siga todas as instruções de carregamento e não carregue a bateria ou a ferramenta fora da faixa de temperatura especificada nas instruções.** O carregamento inadequado ou a temperaturas fora da faixa especificada pode danificar a bateria e aumentar o risco de incêndio.

#### Serviço

- ▶ **Somente permita que a sua ferramenta elétrica seja reparada por pessoal qualificado e usando peças de reposição originais.** Só dessa forma é assegurada a segurança da ferramenta elétrica.
- ▶ **Jamais tente reparar baterias danificadas.** O reparo de baterias deve ser somente realizado pelo fabricante ou por prestadores de serviços autorizados.

#### Indicações de segurança para serras de meia-esquadria

- ▶ **As serras de meia-esquadria se destinam a cortar madeira ou derivados da madeira, elas não podem ser usadas com discos de corte abrasivos para cortar materiais ferrosos como barras, hastes, parafusos, etc.** O pó abrasivo provoca o emperramento das partes móveis, como a proteção inferior. As chispas produzidas pelo corte abrasivo queimam a proteção inferior, o inserto para corte e outras peças de plástico.
- ▶ **Sempre que possível, usar grampos para apoiar a peça de trabalho. Caso seja necessário apoiar a peça de trabalho com a mão, deve sempre manter sua mão afastada, no mínimo, 100 mm em cada um dos lados**

da lâmina da serra. **Não use essa serra para cortar pedaços muito pequenos que não possam ser presos com grampos ou agarrados em segurança.** Se colocar sua mão muito próxima da lâmina de serra, há um aumento nos riscos de lesões pessoais resultantes do contato com a lâmina.

- ▶ **A peça de trabalho deve ser imobilizada e presa com grampos ou segurada contra a guia de corte e a mesa. Jamais faça avançar a peça de trabalho para a lâmina da serra ou realize cortes à “mão livre”.** As peças de trabalho livres ou móveis podem ser lançadas a velocidades elevadas, causando lesões.
- ▶ **Empurre a serra através da peça de trabalho. Não puxe a serra através da peça de trabalho. Para efetuar um corte, eleve a cabeça da serra e a puxe sobre a peça de trabalho sem cortar, ligue o motor, pressione a cabeça da serra para baixo e empurre a serra através da peça de trabalho.** Se efetuar o corte no movimento de puxada, poderá fazer com que a lâmina da serra suba para cima da peça de trabalho, arremessando de forma violenta o conjunto de disco de serra na direção do operador.
- ▶ **Jamais passe sua mão sobre a linha de corte prevista, seja em frente ou atrás da lâmina da serra.** Apoiar a peça de trabalho com as “mãos cruzadas”, ou seja, segurando a peça de trabalho à direita da lâmina da serra com sua mão esquerda ou vice-versa é muito perigoso.
- ▶ **Enquanto a lâmina da serra estiver rodando, não coloque qualquer uma das mãos atrás da guia de corte a menos de 100 mm de cada um dos lados da lâmina da serra, para remover aparas de madeira ou por qualquer outro motivo.** A proximidade da lâmina da serra em rotação com sua mão pode não ser percebida e poderá sofrer graves lesões.
- ▶ **Inspecione a sua peça de trabalho antes de cortar. Se a peça de trabalho estiver curvada ou empenada, fixe a peça com a face exterior curvada orientada para a guia de corte. Sempre tenha certeza de que não existem lacunas entre a peça de trabalho, a guia de corte e a mesa ao longo da linha de corte.** As peças de trabalho curvadas ou empenadas podem torcer ou deslocar-se e podem causar bloqueios na lâmina da serra em rotação durante o corte. A peça de trabalho deverá estar livre de pregos ou objetos estranhos.
- ▶ **Não use a serra enquanto houver ferramentas, aparas de madeira, etc., sobre a mesa, com exceção da peça de trabalho.** Os detritos pequenos ou pedaços soltos de madeira ou outros objetos que entrem em contato com a lâmina da serra giratório podem ser lançadas a alta velocidade.
- ▶ **Corte somente uma peça de trabalho de cada vez.** Múltiplas peças de trabalho empilhadas não podem ser devidamente grampeadas ou fixas e podem ficar presas na lâmina da serra ou deslocar-se durante o corte.
- ▶ **Certifique-se de que a serra de meia-esquadria está montada ou colocada sobre uma superfície de trabalho nivelada e firme antes de usar.** Uma superfície

de trabalho nivelada e firme reduz o risco de a serra de meia-esquadria se tornar instável.

- ▶ **Planeje seu trabalho. Sempre que você alterar o ajuste do ângulo de chanfradura ou de bisel, certifique-se de que a guia de corte ajustável é ajustada corretamente para suportar a peça de trabalho e que ela não interfere com o a lâmina da serra de serra ou com o sistema de proteção.** Mantendo a ferramenta desligada e sem peças de trabalho sobre a mesa, mova a lâmina da serra simulando um corte completo para garantir que não irá haver interferência ou o perigo de cortar a guia de corte.
- ▶ **Providencie um suporte adequado, como extensões de mesa, cavaletes, etc. para uma peça de trabalho que é mais larga ou mais longa do que a superfície superior da mesa.** As peças de trabalho mais longas ou mais largas do que a mesa da serra de meia-esquadria podem tombar se não forem suportadas em segurança. Se a peça cortada ou a peça de trabalho tombar, ela pode elevar a proteção inferior ou ser lançada pela lâmina da serra em rotação.
- ▶ **Não use outra pessoa como substituto de uma extensão de mesa ou como suporte adicional.** Um suporte instável da peça de trabalho pode fazer com que a lâmina da serra fique preso ou que a peça de trabalho se desloque durante a operação de corte, puxando você e seu ajudante para a lâmina da serra em rotação.
- ▶ **A peça cortada não pode de modo algum ficar encravada ou pressionada contra a lâmina da serra em rotação.** Se estiver confinada, ou seja, usando batentes longitudinais, a peça cortada pode ficar entalada contra a lâmina da serra e ser arremessada de forma violenta.
- ▶ **Sempre use um grampo ou fixação concebida para apoiar devidamente os materiais redondos, como hastes ou tubos.** As hastes têm uma tendência para rolar quando estão sendo cortadas, fazendo com que a lâmina da serra “engate” e puxe o trabalho juntamente com sua mão para a lâmina de corte.
- ▶ **Permita que a lâmina da serra atinja a velocidade máxima antes do contato com a peça de trabalho.** Isso irá reduzir o risco de arremesso da peça de trabalho.
- ▶ **Se a peça de trabalho ou a lâmina da serra ficar encravado, desligue a serra de meia-esquadria. Aguarde a parada de todas as partes móveis e desconecte o plugue da alimentação e/ou remova a bateria. Em seguida trabalhe no sentido de liberar o material encravado.** A serragem continuada com uma peça de trabalho encravada pode causar a perda de controle ou danos na serra de meia-esquadria.
- ▶ **Depois de concluir o corte, libere o interruptor, mantenha a cabeça da serra em baixo e aguarde que a lâmina da serra pare antes de remover a peça cortada.** É perigoso colocar sua mão próximo de uma lâmina de serra em movimento.
- ▶ **Segure a empunhadreira com firmeza ao efetuar um corte incompleto ou quando liberar o interruptor antes de a cabeça da serra ficar completamente na**

**posição inferior.** A ação de frenagem da serra pode puxar a cabeça da serra repentinamente para baixo, causando um risco de lesões.

- ▶ **Não solte o punho quando a cabeça da serra tiver chegado à posição inferior. Desloque a cabeça da serra com a mão suavemente de volta à posição superior.** Se mover a cabeça da serra sem controle, pode originar um risco de ferimentos.
- ▶ **Mantenha seu local de trabalho limpo.** As misturas de materiais são muito perigosas. Pó de metal leve pode queimar ou explodir.
- ▶ **Não utilize discos de serra embotados, rachados, empenados ou danificados. Discos de serra com dentes embotados ou incorretamente alinhados causam um atrito maior, um contragolpe e emperram porque a fenda de corte é apertada.**
- ▶ **Não use discos de serra de aço de alta liga para trabalhos rápidos (aço HSS).** Eles podem quebrar facilmente.
- ▶ **Use sempre discos de serra com furos interiores de tamanho e forma corretos (losango versus redondo).** Os discos de serra que não correspondem com a montagem na serra ficam fora de centro, causando a perda de controle.
- ▶ **Jamais remover resíduos de corte, aparas ou objetos semelhantes da área de corte, enquanto a ferramenta elétrica estiver funcionando.** Sempre conduzir primeiramente o braço da ferramenta para a posição de repouso e desligar a ferramenta.
- ▶ **Não toque no disco de serra após o trabalho, espere que este arrefeça.** O disco de serra torna-se extremamente quente durante o trabalho.
- ▶ **Em caso de danos e de utilização incorreta da bateria, podem escapar vapores. A bateria pode incendiar-se ou explodir.** Arejar bem o local de trabalho e consultar um médico se forem constatados quaisquer sintomas. Os vapores podem irritar as vias respiratórias.
- ▶ **Não abra a bateria.** Existe perigo de curto-circuito.
- ▶ **A bateria pode ser danificada com objetos pontiagudos como p. ex. prego ou chave de parafusos ou devido à influência de força externa.** Pode ocorrer um curto-circuito interno e a bateria pode arder, deitar fumo, explodir ou sobreaquecer.
- ▶ **Utilize a bateria apenas em produtos do fabricante.** Só assim é que a bateria fica protegida contra sobrecarga perigosa.



**Proteja a bateria do calor, p. ex. radiação solar permanente, fogo, sujeira, água e umidade.** Há risco de explosão ou de um curto-circuito.



- ▶ **A ferramenta elétrica é fornecida com uma placa de advertência laser (ver tabela "Símbolos e respetivo significado").**
- ▶ **Se o texto da placa de advertência laser não estiver em seu idioma, antes da primeira utilização da ferramenta, deverá colar o adesivo que está na caixa**

**com o texto de advertência em seu idioma nacional sobre a placa de advertência.**

- ▶ **Mantenha sempre as placas de aviso bem identificadas na ferramenta elétrica.**



**Não direcione o feixe de orientação a laser para pessoas ou animais e não olhe diretamente ou para o reflexo do mesmo.**

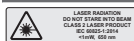
Isso pode provocar cegamento, causar acidentes ou danos oculares.

- ▶ **Caso a radiação laser atinja o olho, feche proposadamente os olhos e desvie imediatamente a cabeça do feixe.**
- ▶ **Não faça alterações ao dispositivo a laser.** Você pode usar sem perigo as possibilidades de ajuste descritas neste manual de instruções.
- ▶ **Não deixe que crianças usem a ferramenta elétrica sem vigilância.** Elas podem cegar sem querer outras pessoas ou a elas mesmas

## Símbolos

Os seguintes símbolos podem ser importantes para a utilização da sua ferramenta elétrica. Memorize os símbolos e o respetivo significado. A interpretação correta dos símbolos permite uma utilização melhor e mais segura da ferramenta elétrica.

### Símbolos e seus respetivos significados



#### Raio laser

**Não olhar diretamente para o feixe Laser classe 2**



**Não coloque as mãos na área de serra com a ferramenta elétrica em funcionamento.** Há perigo de lesões se houver contato com o disco de serra.



**Usar uma máscara de proteção contra pó.**



**Usar óculos de proteção.**



**Usar protetor auricular.** O ruído pode causar perda de audição.



**Área de perigo! Se possível, mantenha as mãos, dedos ou braços afastados desta área.**

**Símbolos e seus respectivos significados**

Para o transporte, segure a ferramenta elétrica apenas pelas posições marcadas (cavidades) ou pelo punho.



Ao serrar ângulos de meia-esquadria verticais, os trilhos de parada ajustáveis devem ser puxados para fora ou removidos completamente.



Respeite as dimensões do disco de serra (diâmetro do disco de serra **D**, diâmetro do orifício **d**). Não deve haver folga entre o diâmetro do orifício **d** e o veio da ferramenta. Se for necessário usar peças redutoras, certifique-se de que as dimensões da peça redutora são adequadas para a espessura da base do disco e para o diâmetro do orifício do disco de serra, assim como para o veio da ferramenta. Se possível, use as peças redutoras fornecidas com o disco de serra.

O diâmetro do disco de serra **D** deve corresponder ao descrito no símbolo.

Ver também "Medidas de discos de serra apropriados" no capítulo "Dados técnicos".

**Descrição do produto e especificações**

**Ler todas as indicações de segurança e instruções.** O desrespeito das advertências e das instruções de segurança apresentadas abaixo pode causar choque elétrico, incêndio e/ou graves lesões.

Respeite as ilustrações na parte da frente do manual de instruções.

**Utilização adequada**

Essa ferramenta elétrica tem como objetivo a realização de cortes longitudinais e transversais em traçado de corte reto em madeira. São possíveis ângulos de meia-esquadria horizontais de  $-48^\circ$  a  $+48^\circ$  assim como ângulos de meia-esquadria verticais de  $47^\circ$  (lado esquerdo) a  $47^\circ$  (lado direito).

A potência da ferramenta elétrica é apropriada para serrar madeira macia e dura, assim como placas de aglomerados de madeira e de fibra.

É possível o cortar chapas de alumínio e plástico, desde que sejam usados discos de serra adequados.

**Componentes ilustrados**

A numeração dos componentes ilustrados se refere à representação da ferramenta elétrica na página de esquemas.

- (1) Parafuso de fixação do dispositivo de tração
- (2) Dispositivo de tração
- (3) Alça de transporte
- (4) Tampa de proteção
- (5) Trava do interruptor de ligar/desligar
- (6) Interruptor de ligar/desligar
- (7) Punho
- (8) Capa de proteção contra laser
- (9) Abertura para saída do raio laser
- (10) Capa de proteção pendular
- (11) Rolo de desliz
- (12) Mesa de serrar
- (13) Furos para montagem
- (14) Placa de alimentação
- (15) Sargento de travamento
- (16) Botão de travamento para qualquer ângulo de meia-esquadria (horizontal)
- (17) Alavanca para o pré-ajuste do ângulo de meia-esquadria (horizontal)
- (18) Proteção contra tombamento
- (19) Placa de advertência laser
- (20) Entalhes para ângulos de meia-esquadria padrões (horizontal)
- (21) Escala para ângulo de meia-esquadria (horizontal)
- (22) Parafuso de fixação do prolongamento da mesa de serrar
- (23) Prolongamento da mesa de serrar
- (24) Apoio para as peças (encaixável de forma flexível)
- (25) Trilho limitador fixo
- (26) Trilho limitador ajustável
- (27) Escala para ângulo de meia-esquadria (vertical)
- (28) Indicador para ângulo de meia-esquadria (vertical)
- (29) Defletor de limalhas
- (30) Lâmina de serra
- (31) Bloqueio do veio
- (32) Botão de destravamento da bateria
- (33) Bateria
- (34) Proteção de transporte
- (35) Arco de proteção contra tombamento
- (36) Limitador de comprimento
- (37) Saco do pó
- (38) Parafuso de ajuste do limitador de profundidade
- (39) Limitador de profundidade
- (40) Haste roscada



<b>(41)</b> Grampo	<b>(51)</b> Parafuso de sextavado interior para a fixação da lâmina de serra
<b>(42)</b> Furos para grampo	<b>(52)</b> Flange de aperto
<b>(43)</b> Chave sextavada interior/chave de fenda	<b>(53)</b> Flange de aperto interior
<b>(44)</b> Parafuso de fixação do trilho limitador móvel	<b>(54)</b> Parafusos de fixação para placa de alimentação
<b>(45)</b> Roda de fixação para ângulo de meia-esquadria (vertical)	<b>(55)</b> Parafuso para capa de proteção contra laser
<b>(46)</b> Alavanca de bloqueio para ângulo de meia-esquadria (vertical)	<b>(56)</b> Parafusos de fixação para a caixa do laser
<b>(47)</b> Encaixe para apoio para as peças (na ferramenta elétrica)	<b>(57)</b> Caixa do laser
<b>(48)</b> Encaixe para segundo apoio para as peças (no apoio para as peças)	<b>(58)</b> Indicador de ângulo de meia-esquadria (horizontal)
<b>(49)</b> Pinos roscados	<b>(59)</b> Parafuso para o indicador de ângulo (horizontal)
<b>(50)</b> Adaptador de aspiração	<b>(60)</b> Parafuso para indicador de ângulo (vertical)
	<b>(61)</b> Apoio para mão

### Dados técnicos

Serra para painéis a bateria		GCM 18V-216 D	GCM 18V-216 D
Número de produto		<b>3 601 M51 0..</b>	<b>3 601 M51 0B. 3 601 M51 0B.</b>
Tensão nominal	V=	18	18
Nº de rotações em vazio <sup>A)</sup>	rpm	5000	5000
Tipo de laser	nm	650	650
	mW	< 1	< 1
Classe de laser		2	2
Peso <sup>B)</sup>	kg	16,4–17,4	16,4–17,4
Temperatura ambiente recomendada ao carregar	°C	0 ... +35	0 ... +35
Temperatura ambiente admissível durante o funcionamento <sup>C)</sup> e durante o armazenamento	°C	-20 ... +50	-20 ... +50
Baterias recomendadas		GBA 18V... ProCORE18V...	GBA 18V... ProCORE18V...
Carregadores recomendados		GAL 18... GAX 18... GAL 36...	GAL 18... GAX 18... GAL 36...

### Dimensões de discos de serra apropriados

Diâmetro do disco de serra <b>D</b>	mm	216	216
Espessura da base do disco	mm	1,2–1,8	1,2–1,8
Diâmetro do furo <b>d</b>	mm	30	25,4

A) Medido a 20–25 °C com bateria **ProCORE18V 8.0Ah**.

B) depende da bateria utilizada

C) potência limitada a temperaturas < 0 °C

Medidas das peças permitidas (máximo/mínimo): (ver "Dimensões máximas compatíveis", Página 79)

Os valores podem variar em função do produto e estar sujeitos a condições de aplicação e do meio ambiente. Mais informações em [www.bosch-professional.com/wac](http://www.bosch-professional.com/wac).

### Informação de ruído

Os valores de emissão de ruído foram determinados de acordo com **EN IEC 62841-3-9**.

O nível sonoro avaliado A da ferramenta elétrica é normalmente: nível de pressão sonora **93** dB(A); nível de potência sonora **107** dB(A). Incerteza K = **3** dB.

### Utilizar proteção auditiva!

O valor de emissão de ruído indicado nestas instruções foi medido de acordo com um método de medição padronizado e pode ser usado para comparar ferramentas elétricas entre si. Ele também é adequado para uma avaliação preliminar da emissão de ruído.

O valor de emissão de ruído representa as principais aplicações da ferramenta elétrica. No entanto, se a ferramenta elétrica for usada para outras aplicações, com diferentes acessórios acopláveis ou com manutenção insuficiente, o valor de emissão de ruído pode ser diferente. Isso pode aumentar significativamente a emissão de ruído durante todo o período de trabalho.

Para uma estimativa precisa das emissões de ruído, também devem ser considerados os momentos em que a ferramenta está desligada ou em funcionamento, mas não está realmente em uso. Isso pode reduzir significativamente as emissões de ruído durante todo o período de trabalho.

## Bateria

A **Bosch** vende ferramentas elétricas sem fio também sem bateria. Pode consultar na embalagem se está incluída uma bateria no material a fornecer da sua ferramenta elétrica.

### Carregar a bateria

► **Utilize somente os carregadores indicados nos dados técnicos.** Somente estes carregadores são adequados para a bateria de íons de lítio utilizada na sua ferramenta elétrica.

**Nota:** as baterias de lítio são fornecidas parcialmente carregadas devido aos regulamentos internacionais relativos ao transporte. Para assegurar a capacidade máxima da bateria, carregue completamente a bateria antes da primeira utilização.

### Colocar a bateria

Empurre a bateria para o respectivo alojamento até que a bateria esteja engatada.

### Remover a bateria


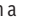
Para retirar a bateria, pressione o botão de destravamento e retire a bateria para fora. **Ao fazê-lo, não aplique força.**

A bateria dispõe de 2 níveis de bloqueio para evitar que a bateria caia se for pressionado acidentalmente o botão de destravamento da bateria. Enquanto a bateria estiver na ferramenta elétrica, ele será mantido em posição por meio de uma mola.

### Indicador do nível de carga da bateria

Nota: Nem todos os tipos de bateria dispõem de um indicador do nível de carga de bateria.

Os LEDs verdes do indicador do nível de carga da bateria mostram o nível de carga da bateria. Por motivos de segurança, a consulta do nível de carga só é possível com a ferramenta elétrica parada.

Pressione a tecla para o indicador do nível de carga  ou  para exibir o nível de carga. Isto também é possível com a bateria removida.

Se depois de pressionar a tecla para o indicador do nível de carga não acender nenhum LED, a bateria tem defeito ou tem de ser substituída.

### Tipo de bateria GBA 18V...



LED	Capacidade
Luz permanente 3 × verde	60–100 %
Luz permanente 2 × verde	30–60 %
Luz permanente 1 × verde	5–30 %
Luz intermitente 1 × verde	0–5 %

### Tipo de bateria ProCORE18V...



LED	Capacidade
Luz permanente 5 × verde	80–100 %
Luz permanente 4 × verde	60–80 %
Luz permanente 3 × verde	40–60 %
Luz permanente 2 × verde	20–40 %
Luz permanente 1 × verde	5–20 %
Luz intermitente 1 × verde	0–5 %

### Indicações para o manuseio ideal da bateria

Proteja a bateria de umidade e água.

Armazene a bateria apenas numa faixa de temperatura de -20 °C até 50 °C. Não deixe a bateria p. ex. dentro de um veículo no verão.

Limpe ocasionalmente as aberturas de ventilação da bateria com um pincel macio, limpo e seco.

Uma autonomia consideravelmente inferior após um carregamento, indica que a bateria está gasta e tem de ser substituída.

Observar a indicação sobre a eliminação de forma ecológica.

## Montagem

► **Antes de qualquer trabalho na ferramenta elétrica (p. ex. manutenção, troca de ferramenta, etc.) retire a bateria da mesma.** Existe perigo de ferimentos no caso de acionamento acidental do interruptor de ligar/desligar.

### Volume de fornecimento



Observe a representação do volume de fornecimento no início do manual de instruções.

Antes de usar a ferramenta elétrica pela primeira vez, verifique se todas as peças listadas abaixo foram fornecidas:

- Serra para painéis com lâmina de serra montada
- Roda de fixação **(45)**
- Trilho limitador ajustável **(26)**
- Grampo **(41)**
- Chave sextavada interior/chave de fenda **(43)**

- Saco do pó (37)
- Apoios para as peças (24) (2 unidades)

**Nota:** Verifique se a ferramenta elétrica apresenta danos. Antes de usar a ferramenta elétrica, verifique cuidadosamente os dispositivos de proteção e peças quanto ao funcionamento correto e eventuais danos. Verifique se as peças móveis funcionam sem problemas e não ficam presas ou se há peças danificadas. Todas as peças devem estar bem montadas e corresponder a todas as exigências, para garantir o funcionamento ideal.

Os dispositivos de proteção e peças danificadas devem ser reparados ou trocados em uma oficina especializada autorizada.

### Montagem de peças individuais

- Retire com cuidado todas as peças de suas respectivas embalagens.
- Remova todo o material de embalagem do aparelho elétrico e dos acessórios fornecidos.
- Para facilitar o trabalho, assegure na montagem dos elementos da ferramenta fornecidos, que a ferramenta elétrica se encontra na posição de transporte.

### Montar o apoio para as peças (ver figura A1)

Os apoios para as peças (24) podem ser posicionados à esquerda, à direita ou à frente na ferramenta elétrica. O sistema de encaixe flexível permite uma ampla gama de variantes de prolongamento ou alargamento (ver figura G).

- Consoante a necessidade, insira o apoio para as peças (24) nos encaixes (47) na ferramenta elétrica ou nos encaixes (48) do segundo apoio para as peças.
- ▶ **Nunca transporte a ferramenta elétrica pelos apoios para as peças.**  
**Ao transportar a ferramenta elétrica utilize apenas os dispositivos de transporte.**

### Montar a roda de fixação (ver figura A2)

A roda de fixação (45) fixa o ângulo de meia-esquadria vertical ajustado e é necessária para um funcionamento seguro.

- Desenrosque a porca sextavada do pino roscado (49).
- Enrosque a roda de fixação (45) no sentido horário no pino roscado (49) e aperte-a.

### Montar o trilho limitador ajustável (ver figura A3)

O trilho limitador ajustável (26) tem de ser montado antes de serrar.

- Empurre o trilho limitador (26) a partir da direita da lâmina de serra para a respetiva ranhura e aperte o parafuso de travamento (44).  
A parte achatada do trilho limitador tem de indicar para dentro para a lâmina de serra.

### Montagem estacionária ou flexível

- ▶ **Para garantir o manuseio seguro, montar a ferramenta elétrica, antes de usá-la, em uma superfície de trabalho plana e estável (p. ex. bancada de trabalho).**

### Montagem em uma superfície de trabalho (ver figura B1 – B2)

- Fixe a ferramenta elétrica à superfície de trabalho com uma conexão de parafuso adequada. Para isso servem os furos (13).

ou

- Fixe os pés da ferramenta elétrica à superfície de trabalho com grampos convencionais.

### Montagem em uma mesa de trabalho Bosch

As mesas de trabalho GTA da Bosch oferecem firmeza à ferramenta elétrica em qualquer lugar através dos pés reguláveis em altura. As mesas de trabalho possuem apoios que servem como suporte para peças mais longas.

- ▶ **Leia todas indicações de aviso e instruções fornecidas junto com a mesa de trabalho.** O desrespeito das indicações de aviso e das instruções pode causar choque elétrico, incêndio e/ou ferimentos graves.
- ▶ **Monte corretamente a mesa de trabalho, antes de colocar a ferramenta elétrica.** Uma montagem correta é importante para evitar o risco de colapso da mesa.
- Monte a ferramenta elétrica na posição de transporte na mesa de trabalho.

### Instalação flexível (não recomendada!) (ver figura B3)

Se em alguns casos não for possível montar a ferramenta elétrica em uma superfície de trabalho plana e estável, pode instalar a mesma com proteção contra tombamento.

- ▶ **Sem a proteção contra tombamento a ferramenta elétrica não fica segura e pode tombar especialmente ao serrar ângulos de meia-esquadria horizontais e/ou verticais máximos.**
- Rode a proteção contra tombamento (18) para dentro ou para fora, até que a ferramenta elétrica fique direita sobre a superfície de trabalho.

### Aspiração de pó/de aparas

Pós de materiais, como por exemplo, tintas que contêm chumbo, alguns tipos de madeira, minerais e metais, podem ser nocivos à saúde. O contato com o pó ou sua inalação pode provocar reações alérgicas e/ou doenças nas vias respiratórias do utilizador ou das pessoas que se encontrem por perto.

Certos pós, como por exemplo pó de carvalho e faia são considerados cancerígenos, especialmente quando juntos com substâncias para o tratamento de madeiras (cromato, preservadores de madeira). Material que contem amianto só deve ser processado por pessoal especializado.

- Se possível, deverá utilizar uma aspiração de pó.
- Assegurar uma boa ventilação do local de trabalho.
- É recomendável usar uma máscara de proteção respiratória com filtro da classe P2.

Observe as diretrizes, vigentes no seu país, relativas aos materiais a serem trabalhados.

- ▶ **Evitar acúmulos de pó no local de trabalho.** Pós podem se inflamar levemente.

O sistema de aspiração de pó/aparas pode ser bloqueado por pó, aparas ou fragmentos da peça.

- Desligue a ferramenta elétrica e retire a bateria.
- Espere até o disco de serra parar por completo.
- Determine a causa do bloqueio e elimine-o.

#### Aspiração integrada (ver figura C)

Para recolher facilmente as aparas utilize o saco do pó (37) fornecido.

- Coloque o punho de transporte (3) na vertical.
- Encaixe e rode o saco do pó (37) no adaptador de aspiração (50), de forma a que o pino do saco do pó engate no entalhe no adaptador de aspiração.

O saco do pó nunca pode entrar em contato com as peças móveis da ferramenta durante a serragem.

Esvazie o saco do pó antecipadamente.

- ▶ **Verifique e limpe o saco do pó após cada utilização.**
- ▶ **Para evitar perigo de incêndio, remova o saco do pó ao serrar alumínio.**

#### Aspiração externa

Para a aspiração também pode conectar no adaptador de aspiração (50) uma mangueira de aspirador (Ø 35 mm).

- Ligue a mangueira do aspirador ao adaptador de aspiração (50).

O aspirador de pó deve ser apropriado para o material a ser trabalhado.

Utilizar um aspirador especial caso o pó seja extremamente nocivo à saúde, cancerígeno ou seco.

#### Trocar o disco de serra (ver figura D1–D4)

- ▶ **Antes de qualquer trabalho na ferramenta elétrica (p. ex. manutenção, troca de ferramenta, etc.) retire a bateria da mesma.** Existe perigo de ferimentos no caso de acionamento acidental do interruptor de ligar/desligar.
- ▶ **Para a montagem do disco de serra é necessário usar luvas de proteção.** Há risco de lesões ao tocar o disco de serra.

Use apenas discos de serra, cuja velocidade máxima permitida é superior à rotação em ponto morto de sua ferramenta elétrica.

Só utilizar discos de serra que correspondam aos dados característicos indicados neste manual de instruções e que sejam controlados conforme EN 847-1 e respectivamente marcados.

Só usar discos de serra recomendados pelo fabricante desta ferramenta elétrica e apropriadas para o material com que deseja trabalhar. Isto evita um sobreaquecimento dos dentes de serra.

#### Desmontar o disco de serra

- Coloque a ferramenta elétrica em posição de trabalho.
- Vire a cobertura de proteção pendular (10) para trás e mantenha-a nesta posição.
- Rode o parafuso sextavado interior (51) com a chave sextavada interior (6 mm) (43) e pressione

simultaneamente a trava do fuso (31), até que esta engate.

- Mantenha a trava do fuso (31) pressionada e desaperte o parafuso sextavado interior (51) no sentido horário (rosca à esquerda!).
- Remova o flange de aperto (52).
- Retire o disco de serra (30).
- Desloque lentamente a cobertura de proteção pendular novamente para baixo.

#### Montar o disco de serra

- ▶ **Ao montar, observe se o sentido de corte dos dentes (sentido da seta no disco de serra) coincide com o sentido da seta na tampa de proteção!**

Se necessário, antes da montagem limpe todas as peças.

- Vire a cobertura de proteção pendular (10) para trás e mantenha-a nesta posição.
- Coloque o novo disco de serra no flange de aperto interior (53).
- Coloque o flange de aperto (52) e o parafuso de sextavado interior (51). Pressione o bloqueio do fuso (31), até que este engate, e aperte o parafuso de sextavado interior rodando para a esquerda.
- Desloque novamente a cobertura de proteção pendular para baixo.

## Funcionamento

- ▶ **Antes de qualquer trabalho na ferramenta elétrica (p. ex. manutenção, troca de ferramenta, etc.) retire a bateria da mesma.** Existe perigo de ferimentos no caso de acionamento acidental do interruptor de ligar/desligar.

#### Proteção de transporte (ver figura E)

A proteção de transporte (34) permite um manuseamento mais fácil da ferramenta elétrica ao transportá-la para diferentes locais de utilização.

#### Liberar a ferramenta elétrica (posição de trabalho)

- Pressione o braço da ferramenta no punho (7) um pouco para baixo, para aliviar a proteção de transporte (34).
- Puxe a proteção de transporte (34) totalmente para fora.
- Desloque lentamente o braço da ferramenta para cima.

#### Travar a ferramenta elétrica (posição de transporte)

- Solte o parafuso de fixação (1), caso este prenda o dispositivo de tração (2). Puxe o braço da ferramenta totalmente para a frente e para fixar o dispositivo de tração aperte novamente o parafuso de fixação.
- Puxe o limitador de profundidade (39) para cima.
- Para travar a mesa de serrar (12) aperte o manípulo de fixação (16).
- Rode o braço da ferramenta para baixo pelo punho (7) até que seja possível pressionar a proteção de transporte (34) totalmente para dentro.

O braço da ferramenta está agora bloqueado para o transporte.

## Preparação do trabalho

Para garantir cortes precisos, é necessário verificar as definições básicas da ferramenta elétrica após uma utilização intensa e, eventualmente, voltar a ajustar, o que exige experiência e uma ferramenta especial correspondente.

As assistências técnicas autorizadas Bosch efetuam esse trabalho de forma rápida e confiável.

### Prolongar/alargar a mesa de serrar (ver figuras F–G)

As peças compridas e pesadas devem ser apoiadas na extremidade livre.

A mesa de serrar pode ser prolongada para a esquerda ou para a direita com a ajuda dos prolongamentos da mesa de serrar (23).

- Solte o parafuso de fixação (22).
- Puxe o prolongamento da mesa de serrar (23) para fora até ao comprimento desejado.
- Para fixar o prolongamento da mesa de serrar, aperte novamente o parafuso de fixação (22).

O sistema de encaixe flexível dos apoios para as peças (24) permite uma ampla gama de variantes de prolongamento ou alargamento.

- Consoante a necessidade, insira o apoio para as peças (24) nos encaixes (47) na ferramenta elétrica ou nos encaixes (48) do segundo apoio para as peças.
- **Nunca transporte a ferramenta elétrica pelos apoios para as peças.**  
**Ao transportar a ferramenta elétrica utilize apenas os dispositivos de transporte.**

### Deslocar o trilho limitador (ver figura H)

Ao serrar ângulos de meia-esquadria horizontais e/ou verticais, o carril limitador ajustável (26) esquerdo ou direito tem de ser puxado para fora ou totalmente retirado, em função do sentido de corte.

Ângulo de meia-esquadria vertical	Ângulo de meia-esquadria horizontal	
0°–22,5° (esquerda/ direita)	> 0°	<ul style="list-style-type: none"> <li>– <b>Solte</b> o parafuso de travamento esquerdo/direito (44).</li> <li>– Puxe o trilho limitador ajustável esquerdo/direito (26) totalmente para fora.</li> </ul>
22,5°–47° (esquerda/ direita)	≤ 48° (esquerda/ direita)	<ul style="list-style-type: none"> <li>– <b>Solte</b> o parafuso de travamento esquerdo/direito (44).</li> <li>– Puxe o trilho limitador ajustável esquerdo/direito (26) totalmente para fora.</li> <li>– Levante o carril limitador ajustável.</li> </ul>

### Fixar a peça (ver figura I)

Para garantir a melhor segurança no trabalho, sempre prenda a peça.  
Não trabalhe peças que não sejam grandes o suficiente para serem fixas.

- Pressione bem a peça contra os carris limitadores (26) e (25).
- Introduza o sargento fornecido (41) em um dos orifícios (42) previstos para o efeito.
- Adapte a haste roscada (40) do sargento à altura da peça.
- Aperte bem a haste roscada (40) e fixe assim a peça.

### Ajustar ângulo padrão de meia-esquadria horizontal

#### Ajustar ângulo de meia-esquadria horizontal (ver figura J)

Para o ajuste rápido e preciso de ângulos de meia-esquadria horizontais utilizados frequentemente, existem entalhes na mesa de serra (20):

Esquerda	Direita
0°	
45°; 30°; 22,5°; 15°	15°; 22,5°; 30°; 45°

- Solte o manípulo de fixação (16), se estiver apertado.

- Puxe a alavanca (17) e gire a mesa de serra (12) para a esquerda ou para a direita até ao entalhe desejado.
- Solte novamente a alavanca. A alavanca deve engatar no entalhe de forma perceptível.
- Aperte novamente o manípulo (16).

#### Ajustar o ângulo de meia-esquadria horizontal desejado (ver figura K)

O ângulo de meia-esquadria horizontal pode ser ajustado em uma faixa de 48° (lado esquerdo) a 48° (lado direito).

- Solte o manípulo de fixação (16), se estiver apertado.
- Puxe a alavanca (17) e pressione simultaneamente o sargento de fixação (15), até engatar na ranhura. Assim a mesa de serra pode se mover livremente.
- Gire a mesa de serra (12) no manípulo para a esquerda ou para a direita, até que o indicador de ângulo (58) indique o ângulo de meia-esquadria horizontal desejado.
- Aperte novamente o manípulo (16).
- Para saltar novamente a alavanca (17) (para ajustar ângulos padrão de meia-esquadria horizontais), puxe a alavanca para cima.  
O sargento de fixação (15) volta para a sua posição original e a alavanca (17) pode ser engatada novamente nos entalhes (20).

### Ajustar ângulo de meia-esquadria vertical

O ângulo de meia-esquadria vertical pode ser ajustado em uma faixa de **47°** (lado esquerdo) a **47°** (lado direito).

Para o ajuste rápido e preciso de ângulos de meia-esquadria verticais utilizados frequentemente, estão previstas posições fixas para os ângulos de 0°, 22,5° e 45°.

- Assegure que a roda de fixação **(45)** está montada (ver "Montar a roda de fixação (ver figura A2)", Página 75).

### Ajustar ângulos de meia-esquadria padrões verticais (ver figura L)

- Puxe o trilho limitador ajustável **(26)** completamente para fora ou retire o mesmo completamente.
- Solte a roda de fixação **(45)**.
- Puxe a alavanca de bloqueio **(46)** para fora e engate-a na posição de curso livre.  
Para o efeito, pode utilizar a amplitude total dos ângulos de meia-esquadria (à esquerda e à direita).
- Vire o braço da ferramenta no punho **(7)** para a esquerda ou para a direita, até que o indicador de ângulo **(28)** indique o ângulo de meia-esquadria vertical padrão desejado.
- Rode a alavanca de bloqueio **(46)**. A alavanca de bloqueio em de engatar de forma perceptível na posição do ângulo de meia-esquadria vertical padrão desejado.
- Volte a apertar a roda de fixação **(45)**.

### Ajustar o ângulo de meia-esquadria vertical desejado

- Puxe o trilho limitador ajustável **(26)** completamente para fora ou retire o mesmo completamente.
- Solte a roda de fixação **(45)**.
- Puxe a alavanca de bloqueio **(46)** para fora e engate-a na posição de curso livre.  
Para o efeito, pode utilizar a amplitude total dos ângulos de meia-esquadria (à esquerda e à direita).
- Vire o braço da ferramenta no punho **(7)** para a esquerda ou para a direita, até que o indicador de ângulo **(28)** indique o ângulo de meia-esquadria vertical desejado.
- Volte a apertar a roda de fixação **(45)**.

### Colocando em funcionamento

- ▶ **Aperte sempre o manípulo de fixação (16) e a roda de fixação (45) antes de serrar.** Caso contrário, a lâmina de serra pode emperrar na peça.

### Ligar (ver figura M)

- Para **ligar** a ferramenta elétrica, empurre **primeiro** o bloqueio de ligação **(5)** para o centro e pressione **em seguida** o interruptor de ligar/desligar **(6)** e mantenha-o pressionado.

**Nota:** Por motivos de segurança o interruptor de ligar/desligar **(6)** não pode ser travado, tem de permanecer continuamente pressionado durante o funcionamento.

### Desligar

- Para **desligar** solte o interruptor de ligar/desligar **(6)**.

### Serrar

#### Indicações gerais para serrar

- ▶ **Aperte sempre o manípulo de fixação (16) e a roda de fixação (45) antes de serrar.** Caso contrário, a lâmina de serra pode emperrar na peça.
- ▶ **Antes de todos os cortes, certifique-se que o disco de serra não entra em contato com os carris limitadores, sargentos ou outras partes do aparelho em momento algum. Se houver limitadores auxiliares montados, retire-os ou adapte-os de forma adequada.**

Proteja o disco de serra contra impactos e choques. Não exponha o disco de serra a pressão lateral.

Serre apenas materiais que sejam permitidos na utilização adequada.

Não processe peças deformadas. A peça deve ter sempre uma aresta reta para encostar ao carril limitador.

As peças compridas e pesadas devem ser apoiadas na extremidade livre.

Certifique-se de que a cobertura de proteção pendular funciona corretamente e se pode movimentar sem restrições. Ao deslocar o braço da ferramenta para baixo, a cobertura de proteção pendular deve abrir. Ao deslocar o braço da ferramenta para cima, a cobertura de proteção pendular deve se fechar novamente sobre o disco de serra e travar na posição superior do braço da ferramenta.

#### Posição do operador/usuário (ver figura N)

- ▶ **Nunca fique alinhado com o disco de serra à frente da ferramenta elétrica. Procure se posicionar sempre lateralmente em relação ao disco de serra.** Assim o seu corpo fica protegido contra possível contragolpe.
- Mantenha as mãos, os dedos e os braços afastados do disco de serra em rotação.
- Não cruze as mãos à frente do braço da ferramenta.

#### Serrar com movimento de tração

- Para cortes com a ajuda do dispositivo de tração **(2)** (peças largas) solte o parafuso de fixação **(1)**, caso este esteja apertado.
- Se necessário, ajuste o ângulo de meia-esquadria horizontal e/ou vertical desejado.
- Pressione bem a peça contra os carris limitadores **(25)** e **(26)**.
- Fixe a peça de acordo com as dimensões.
- Afaste o braço da ferramenta do trilho limitador **(25)**, até que a lâmina de serra fique antes da peça a ser trabalhada.
- Ligue a ferramenta elétrica.
- Desloque lentamente o braço da ferramenta com o punho **(7)** para baixo.
- Pressione agora o braço da ferramenta na direção dos carris limitadores **(25)** e **(26)** e serre a peça com um avanço uniforme.
- Desligue a ferramenta elétrica e espere que a lâmina de serra pare por completo.
- Desloque lentamente o braço da ferramenta para cima.

### Serrar sem movimento de tração (cortes transversais) (ver figura O)

- Para cortes sem movimento de tração (peças pequenas) solte o parafuso de fixação (1), caso este esteja apertado. Empurre o braço da ferramenta até ao limitador no sentido do trilho limitador (25) e aperte novamente o parafuso de fixação (1).
- Se necessário, ajuste o ângulo de meia-esquadria horizontal e/ou vertical desejado.
- Pressione bem a peça contra os carris limitadores (25) e (26).
- Fixe a peça de acordo com as dimensões.
- Ligue a ferramenta elétrica.
- Desloque lentamente o braço da ferramenta com o punho (7) para baixo.
- Serre a peça com um avanço uniforme.
- Desligue a ferramenta elétrica e espere que a lâmina de serra pare por completo.
- Desloque lentamente o braço da ferramenta para cima.

### Indicações de trabalho

#### Marcar a linha de corte (ver figura P)

Dois feixes de orientação a laser indicam a linha de corte do disco de serra. Deste modo, pode-se posicionar de forma exata a peça a serrar, sem abrir a cobertura de proteção pendular.

- Para tal, ligue os feixes de orientação a laser tocando brevemente no interruptor de ligar/desligar (6), sem pressionar a trava de ligação (5).
- Alinhe a sua marcação na peça entre as duas linhas laser.

**Nota:** Antes de serrar, verifique se a linha de corte ainda está indicada corretamente (ver "Ajustar o laser", Página 79). Os feixes de orientação a laser podem deslocar-se, p. ex. devido às vibrações no caso de utilização intensa.

#### Dimensões máximas compatíveis

Peças máximas:

Ângulo de meia-esquadria horizontal	Ângulo de meia-esquadria vertical	Altura x largura [mm]
0°	0°	70 x 305
45° (esquerda/direita)	0°	70 x 215
45° (esquerda)	45° (esquerda)	42 x 215
45° (direita)	45° (direita)	20 x 215
0°	45° (esquerda)	42 x 305
0°	45° (direita)	20 x 305

Peças **dimensões mínimas** (= todas as peças que podem ser fixadas com o sargento (41) fornecido à esquerda ou à direita da lâmina de serra): 100 x 40 mm (comprimento x largura)

**Profundidade de corte máxima** (0°/0°): 70 mm

### Ajustar o limitador de profundidade (serrar ranhura) (ver figura Q)

O limitador de profundidade tem de ser deslocado quando pretender serrar uma ranhura.

- Gire o limitador de profundidade (39) para a frente.
- Gire o braço da ferramenta no punho (7) para a posição desejada.
- Gire o parafuso de ajuste (38), até que a extremidade do parafuso toque no limitador de profundidade (39).
- Desloque lentamente o braço da ferramenta para cima.

### Serrar peças de mesmo comprimento (ver figura R)

Para serrar facilmente peças de mesmo comprimento pode utilizar o limitador longitudinal esquerdo ou direito (36).

- Rode o limitador longitudinal (36) para cima.
- Ajuste o prolongamento da mesa de serrar (23) para o comprimento da peça desejado.

### Peças especiais

Ao serrar peças curvas ou redondas, é preciso fixá-las firmemente para que não escorreguem. Na linha de corte não pode haver folga entre a peça, carril limitador e mesa de serra.

Se necessário, terá de fabricar suportes especiais.

### Trocar os suportes com os contornos da ferramenta (ver figura S)

As placas de alimentação (14) podem desgastar-se após uma utilização prolongada da ferramenta elétrica.

Troque as placas de alimentação defeituosas.

- Coloque a ferramenta elétrica em posição de trabalho.
- Desaperte os parafusos (54) com uma chave de fenda em cruz comum e retire a placa de alimentação antiga (14).
- Coloque a nova placa de alimentação e volte a apertar os parafusos (54).

### Ajustar o laser

**Nota:** Para testar o funcionamento do laser a ferramenta elétrica tem de estar ligada à alimentação elétrica.

► **Durante o ajuste do laser (p. ex. ao mover o braço da ferramenta) nunca acione o interruptor de ligar/desligar.** O arranque não intencional da ferramenta elétrica pode causar ferimentos.

- Coloque a ferramenta elétrica em posição de trabalho.
- Gire a mesa de serra (12) até à ranhura (20) para 0°. A alavanca (17) deve engatar na ranhura de forma perceptível.

Para garantir cortes precisos, é necessário verificar os feixes de orientação a laser após uma utilização intensa e, se necessário, voltar a ajustar.

Tal exige experiência e uma ferramenta especial correspondente.

As assistências técnicas autorizadas Bosch efetuam esse trabalho de forma rápida e confiável.

### Verificar (ver figura T1)

- Desenhe uma linha de corte reta sobre a peça a ser trabalhada.

- Desloque lentamente o braço da ferramenta com o punho (7) para baixo.
- Alinhe a peça de modo a que os dentes da lâmina de serra fiquem alinhados com a linha de corte.
- Segure a peça nesta posição e mova o braço da ferramenta novamente para cima (lentamente).
- Fixe a peça.
- Ligue os feixes de orientação a laser com o interruptor (6), sem pressionar o bloqueio de ligação (5).

Os feixes de orientação a laser devem ficar, em todo o comprimento e à esquerda e à direita, à mesma distância da linha de corte desenhada na peça, mesmo que o braço da ferramenta tenha sido deslocado para baixo.

#### Retirar a capa de proteção contra laser (ver figura T2)

- Solte os dois parafusos (55) da capa de proteção contra laser (8) com a chave sextavada interior/chave de fenda (43) e retire a capa de proteção contra laser.

#### Ajustar o desvio lateral ao mover o braço da ferramenta (ver figuras T3–T4)

- Solte o parafuso de fixação (56) (aprox. 1–2 voltas). Não desaperte o parafuso por completo.
- Desloque a caixa do laser (57) para a direita ou para a esquerda, até que os feixes de orientação a laser não se desviem mais lateralmente ao mover o braço da ferramenta para baixo.
- Mantenha a caixa do laser (57) nesta posição e aperte novamente o parafuso de fixação (56).
- Fixe novamente a capa de proteção contra laser (8).

#### Verificar e ajustar as definições básicas

Para garantir cortes precisos, é necessário verificar as definições básicas da ferramenta elétrica após uma utilização intensa e, eventualmente, voltar a ajustar. o que exige experiência e uma ferramenta especial correspondente.

As assistências técnicas autorizadas Bosch efetuam esse trabalho de forma rápida e confiável.

#### Alinhar o indicador de ângulo (horizontal) (ver figura U)

- Coloque a ferramenta elétrica em posição de trabalho.
- Rode a mesa de serra (12) até ao entalhe (20) para 0°. A alavanca (17) tem de engatar de forma perceptível no entalhe.

#### Controlar

O indicador de ângulo (58) tem de estar alinhado com a marca de 0° da escala (21).

#### Ajustar

- Solte o parafuso (59) com uma chave de fenda em cruz e alinhe o indicador de ângulo ao longo da marca de 0°.
- Aperte novamente o parafuso.

#### Alinhar o indicador de ângulo (vertical) (ver figura V)

- Coloque a ferramenta elétrica em posição de trabalho.
- Solte a roda de fixação (45).

- Puxe a alavanca de bloqueio (46) para fora e ajuste com o braço da ferramenta um ângulo de meia-esquadria vertical de 0°.
- Solte a alavanca de bloqueio (46). A alavanca de bloqueio tem de engatar na posição de forma perceptível
- Volte a apertar a roda de fixação (45).

#### Controlar

O indicador de ângulo (28) tem de estar alinhado com a marca de 0° da escala (27).

#### Ajustar

- Solte o parafuso (60) com uma chave de fenda em cruz e alinhe o indicador de ângulo ao longo da marca de 0°.
- Aperte novamente o parafuso.

#### Transporte da ferramenta elétrica (ver figura W)

- ▶ **Antes de qualquer trabalho na ferramenta elétrica (p. ex. manutenção, troca de ferramenta, etc.) retire a bateria da mesma.** Existe perigo de ferimentos no caso de acionamento acidental do interruptor de ligar/desligar.

Antes de transportar a ferramenta elétrica tem de executar os seguintes passos:

- Solte o parafuso de fixação (1), caso este esteja apertado. Puxe o braço da ferramenta totalmente para a frente e aperte novamente o parafuso de fixação.
- Assegure que o limitador de profundidade (39) está rodado totalmente para trás e que não toca no parafuso de ajuste (38) ao movimentar o braço da ferramenta.
- Coloque a ferramenta elétrica em posição de transporte.
- Remova todos os acessórios que não podem ser montados firmemente na ferramenta elétrica. Colocar as lâminas de serra não usadas, se possível, em um recipiente fechado para o transporte.
- Coloque o punho de transporte (3) na vertical.
- Transporte a ferramenta elétrica pela alça de transporte (3) ou agarre nas cavidades (61) laterais da mesa de serra.
- ▶ **Para transportar a ferramenta elétrica use apenas os dispositivos de transporte e nunca os dispositivos de proteção ou os apoios para as peças.**

## Manutenção e serviço

### Manutenção e limpeza

- ▶ **Antes de qualquer trabalho na ferramenta elétrica (p. ex. manutenção, troca de ferramenta, etc.) retire a bateria da mesma.** Existe perigo de ferimentos no caso de acionamento acidental do interruptor de ligar/desligar.
- ▶ **Manter a ferramenta elétrica e as aberturas de ventilação sempre limpas, para trabalhar bem e de forma segura.**

A capa de proteção pendular deve se movimentar sempre livremente e fechar-se automaticamente. Mantenha a área ao redor da cobertura de proteção pendular sempre limpa.

Remova o pó e as aparas após cada ciclo de trabalho soprando com ar comprimido ou usando um pincel.



Limpe regularmente o rolo de deslize (11).

### Medidas para reduzir o ruído

Medidas pelo fabricante:

- Partida suave
- Fornecimento com um disco de serra especialmente desenvolvido para a redução do ruído

Medidas pelo utilizador:

- Montagem sem vibrações em uma superfície de trabalho estável
- Utilização de discos de serra com funções redutoras de ruído
- Limpeza regular do disco de serra e da ferramenta elétrica

### Serviço pós-venda e assistência ao cliente

O serviço pós-venda responde às suas perguntas a respeito de serviços de reparação e de manutenção do seu produto, assim como das peças sobressalentes. Desenhos explodidos e informações sobre peças sobressalentes também em:

[www.bosch-pt.com](http://www.bosch-pt.com)

A nossa equipe de consultores Bosch esclarece com prazer todas as suas dúvidas a respeito dos nossos produtos e acessórios.

Indique em todas as questões ou encomendas de peças sobressalentes impreterivelmente a referência de 10 dígitos de acordo com a placa de características do produto.

#### Brasil

Robert Bosch Ltda. – Divisão de Ferramentas Elétricas  
Rodovia Anhanguera, Km 98 - Parque Via Norte  
13065-900, CP 1195  
Campinas, São Paulo  
Tel.: 0800 7045 446  
[www.bosch.com.br/contato](http://www.bosch.com.br/contato)

#### Encontre outros endereços da assistência técnica em:

[www.bosch-pt.com/serviceaddresses](http://www.bosch-pt.com/serviceaddresses)

### Transporte

As baterias de lítio recomendadas estão em conformidade com os requisitos da regulamentação do transporte de mercadorias perigosas. As baterias podem ser transportadas pelo usuário nas vias públicas, sem nenhuma restrição.

No caso de envio através de terceiros (p. ex.: transporte aéreo ou transitário) é necessário respeitar os requisitos especiais para a embalagem e identificação. Neste caso, para a preparação da embalagem é necessário consultar um perito no transporte de mercadorias perigosas.

Só enviar baterias se a carcaça não estiver danificada. Colar contatos abertos e embalar o bateria de modo que não possa se movimentar dentro da embalagem. Por favor observe também eventuais diretrizes nacionais suplementares.

### Descarte



Ferramentas elétricas, baterias, acessórios e embalagens devem ser enviados a uma reciclagem ecológica de matérias primas.



Não descarte as ferramentas elétricas e as baterias/pilhas no lixo doméstico!

### Baterias/pilhas:

#### Lítio:

Por favor, observe as instruções na seção de transporte (ver "Transporte", Página 81).

## 中文

### 安全规章

#### 电动工具通用安全警告

#### 警告！

阅读随电动工具提供的所有安全警告、说明、图示和规定。

不遵照以下所列说明会导致电击、着火和/或严重伤害。

保存所有警告和说明书以备查阅。

警告中的术语“电动工具”是指市电驱动（有线）电动工具或电池驱动（无线）电动工具。

#### 工作场地的安全

- ▶ 保持工作场地清洁和明亮。杂乱和黑暗的场地会引发事故。
- ▶ 不要在易爆环境，如有易燃液体、气体或粉尘的环境下操作电动工具。电动工具产生的火花会点燃粉尘或气体。
- ▶ 操作电动工具时，远离儿童和旁观者。注意力不集中会使你失去对工具的控制。

#### 电气安全

- ▶ 电动工具插头必须与插座相配。绝不能以任何方式改装插头。需接地的电动工具不能使用任何转换插头。未经改装的插头和相配的插座将降低电击风险。
- ▶ 避免人体接触接地表面，如管道、散热片和冰箱。如果你身体接触接地表面会增加电击风险。
- ▶ 不得将电动工具暴露在雨中或潮湿环境中。水进入电动工具将增加电击风险。
- ▶ 不得滥用软线。绝不能用软线搬运、拉动电动工具或拔出其插头。使软线远离热源、油、锐边或运动部件。受损或缠绕的软线会增加电击风险。
- ▶ 当在户外使用电动工具时，使用适合户外使用的延长线。适合户外使用的电线将降低电击风险。
- ▶ 如果无法避免在潮湿的环境中操作电动工具，应使用带有剩余电流装置（RCD）保护的电源。RCD的使用可降低电击风险。

### 人身安全

- ▶ **保持警觉**，当操作电动工具时关注所从事的操作并保持清醒。当你感到疲倦，或在有药物、酒精或治疗反应时，不要操作电动工具。在操作电动工具时瞬间的疏忽会导致严重人身伤害。
- ▶ **使用个人防护装置**。始终佩戴护目镜。防护装置，诸如适当条件下使用防尘面具、防滑安全鞋、安全帽、听力防护等装置能减少人身伤害。
- ▶ **防止意外起动**。在连接电源和/或电池包、拿起或搬运工具前确保开关处于关断位置。手指放在开关上搬运工具或开关处于接通时通电会导致危险。
- ▶ **在电动工具接通之前**，拿掉所有调节钥匙或扳手。遗留在电动工具旋转零件上的扳手或钥匙会导致人身伤害。
- ▶ **手不要过分伸展**。时刻注意立足点和身体平衡。这样能在意外情况下能更好地控制住电动工具。
- ▶ **着装适当**。不要穿宽松衣服或佩戴饰品。让你的头发和衣服远离运动部件。宽松衣服、佩饰或长发可能会卷入运动部件。
- ▶ **如果提供了与排屑、集尘设备连接用的装置**，要确保其连接完好且使用得当。使用集尘装置可降低尘屑引起的危险。
- ▶ **不要因为频繁使用工具而产生的熟悉感而掉以轻心**，忽视工具的安全准则。某个粗心的动作可能在瞬间导致严重的伤害。

### 电动工具使用和注意事项

- ▶ **不要勉强使用电动工具**，根据用途使用合适的电动工具。选用合适的按照额定值设计的电动工具会使你工作更有效、更安全。
- ▶ **如果开关不能接通或关断电源**，则不能使用该电动工具。不能通过开关来控制的电动工具是危险的且必须进行修理。
- ▶ **在进行任何调节、更换附件或贮存电动工具之前**，必须从电源上拔掉插头和/或卸下电池包（如可拆卸）。这种防护性的安全措施降低了电动工具意外起动的风险。
- ▶ **将闲置不用的电动工具贮存在儿童所及范围之外**，并且不允许不熟悉电动工具和不了解这些说明的人操作电动工具。电动工具在未经培训的使用者手中是危险的。
- ▶ **维护电动工具及其附件**。检查运动部件是否调整到位或卡住，检查零件破损情况和影响电动工具运行的其他状况。如有损坏，应在使用前修理好电动工具。许多事故是由维护不良的电动工具引发的。
- ▶ **保持切削刀具锋利和清洁**。维护良好地有锋利切削刃的刀具不易卡住而且容易控制。
- ▶ **按照使用说明书**，并考虑作业条件和要进行的作业来选择电动工具、附件和工具的刀头等。将电动工具用于那些与其用途不符的操作可能会导致危险情况。
- ▶ **保持手柄和握持表面干燥、清洁，不得沾有油脂**。在意外的情况下，湿滑的手柄不能保证握持的安全和对工具的控制。

### 电池式工具使用和注意事项

- ▶ **仅使用生产者规定的充电器充电**。将适用于某种电池包的充电器用到其他电池包时可能会发生着火危险。
- ▶ **仅使用配有专用电池包的电动工具**。使用其他电池包可能会产生伤害和着火危险。
- ▶ **当电池包不用时**，将它远离其他金属物体，例如回形针、硬币、钥匙、钉子、螺钉或其他小金属物体，以防电池包一端与另一端连接。电池组端部短路可能会引起燃烧或着火。
- ▶ **在滥用条件下**，液体可能会从电池组中溅出；应避免接触。如果意外碰到液体，用水冲洗。如果液体碰到了眼睛，还应寻求医疗帮助。从电池中溅出的液体可能会发生腐蚀或燃烧。
- ▶ **不要使用损坏或改装过的电池包或工具**。损坏或改装过的电池组可能呈现无法预测的结果，导致着火、爆炸或伤害。
- ▶ **不要将电池包暴露于火或者高温中**。电池包暴露于火或高于130 °C的高温中可能导致爆炸。
- ▶ **遵守所有充电说明**，给电池组或工具充电时不要超出说明中规定的温度范围。错误充电或温度超出规定的范围可能会损坏电池并提高着火的风险。

### 维修

- ▶ **由专业维修人员使用相同的备件维修电动工具**。这将保证所维修的电动工具的安全。
- ▶ **决不能维修损坏的电池包**。电池包仅能由生产者或其授权的维修服务商进行维修。

### 斜切锯安全警告

- ▶ **斜切锯用于锯割木材或类似木材的产品**，不能安装切割砂轮来锯割黑色金属材料，如钢筋、棒料、螺栓等。磨屑会导致下护罩等运动部件堵塞，砂轮锯割产生的火花可能会引燃下护罩、锯缝板或其他塑料件。
- ▶ **尽可能使用夹紧装置支撑工件**，如果用手支撑工件，必须保持手远离锯片两侧至少100mm。勿使用此锯锯割小到无法被可靠夹持或用手握持的工件。如果你的手离锯片太近会增加接触到锯片受伤的风险。
- ▶ **工件必须定位并被夹紧或抵靠在靠栅和工作台上**，不要将工件送入锯片或以任何方式“徒手”锯割。不受约束的或移动的工件有可能会被高速抛出从而造成伤害。
- ▶ **将锯推过工件**，不要将锯拉过工件。进行锯割时，抬起锯割装置并从工件上方拉过而不进行锯割，启动电机，向下按压锯割装置并将锯推过工件。在拉动行程上进行锯割可能导致锯片在工件顶部上爬行并猛烈地将锯片组件抛向操作者。
- ▶ **切勿将手越过锯片前方或后方设定的锯割线**。“交叉手”握持工件，如用左手来握持锯片右侧工件，或反之，是非常危险的。
- ▶ **当锯片旋转时不要为了清除木片或其他目的而将手从锯片任何一侧在距离刀片100mm 范围内接近靠栅的后方**。旋转的锯片接近你的手可能不易被发现从而会导致严重伤害。

- ▶ 锯割前检查工件,如果工件存在弯曲或翘曲,则需将弓形面外侧朝向靠栅夹紧,始终确保工件与靠栅、台面间沿锯割线方向没有间隙。弯曲或翘曲的工件在锯割时会产生扭动或窜动而卡住旋转的锯片。工件中不应有钉子或其他异物。
- ▶ 使用斜切锯前须确保台面上除工件外没有任何工具、木片等。接触锯片的小碎片、松散的木材或其他物体会引起高速抛掷。
- ▶ 每次只能锯割一个工件。多个堆放在一起的工件不能被充分地夹紧或支撑,在锯割过程中容易卡住锯片或发生窜动。
- ▶ 使用前请确保斜切锯被安装或放置在水平结实的工作面上。水平结实的工作表面可以降低斜切锯不稳定的风险。
- ▶ 规划好你的工作。每次改变倾斜角或斜切角的设置要确保可靠靠栅能正确地支撑工件并且不干涉锯片或防护装置。在工具没有“开机”且工作台上没有工件时移动锯片进行一次完整的模拟锯割以确保不会有任何干涉或锯割靠栅的危险。
- ▶ 对于宽度或长度超出台面的工件需要为工件提供足够支撑,如延伸台面、锯木架等。长度或宽度超出斜切锯台面的工件如果没有被安全支撑会倾倒。被切断的部分或工件倾倒会抬起下护罩或被旋转的刀片抛出。
- ▶ 不要用另一个人来代替延伸台面或作为辅助支撑。在锯割过程中不可靠的工件支撑会使锯片被卡住或引起工件移位,将你和助手拉入旋转锯片中。
- ▶ 切断的部分不能以任何方式被堵在或挤压在旋转的锯片上。如果受到如长度挡块的限制,切断部分可能会被挤在锯片上并被猛烈抛出。
- ▶ 当锯割棒或管等圆形材料时,总是使用为此而设计的夹持或固定装置。棒料被锯割时有滚动倾向,会引起锯片“啃料”并将工件连带你的手拉向锯片。
- ▶ 在锯片接触工件前让其达到全速。这将降低工件被抛出的风险。
- ▶ 如果工件或锯片被卡住,关闭斜切锯,等所有运动部件停止并从电源上拔出插头并/或取下电池包,然后清理被卡住的材料。在工件被卡住时继续锯割会造成斜切锯的失控或损坏。
- ▶ 完成锯割后,松开电源开关,继续按住锯割装置,待锯片停止后再清理锯割剩下部分。用手靠近还在转动的锯片是危险的。
- ▶ 在进行不完全锯割时,或在斜切锯锯割装置未到达完全下压位置之前松开电源开关时,应牢牢握住手柄。斜切锯的刹车动作可能导致锯割装置被突然下拉而引起受伤风险。
- ▶ 在锯头到达最低位置时,请勿松开手柄。始终用手将锯头引回最高位置。如果锯头不受控制地移动,则有伤害风险。
- ▶ 工作场地应保持清洁。材料混合特别危险。轻金属粉尘可能会起火燃烧或爆炸。
- ▶ 不可以使用已经变钝、有裂痕、弯曲或损坏的锯片。锯片如果已经变钝了,或者锯齿变形了,会因为锯缝过小而提高锯割时的摩擦,锯片容易被夹住并造成反弹。

- ▶ 不可以使用高合金快速钢 (HSS) 制造的锯片。此类锯片容易折断。
- ▶ 总是使用轴孔尺寸和形状正确的锯片(金钢石锯片对应圆孔)。与安装件不匹配的锯片会偏心而引起失控。
- ▶ 如果电动工具仍在运转,不可以试着清除锯割范围内的锯屑、木屑等等。始终先收回机臂然后再关闭电动工具。
- ▶ 工作后如果锯片尚未冷却,切勿触摸锯片。工作后锯片会变得非常灼热。
- ▶ 如果充电电池损坏或者未按照规定使用,充电电池中会散发出有毒蒸汽。充电电池可能会燃烧或爆炸。工作场所必须保持空气流通,如果身体有任何不适必须马上就医。蒸汽会刺激呼吸道。
- ▶ 切勿打开充电电池。可能造成短路。
- ▶ 钉子、螺丝刀等尖锐物品或外力作用可能会损坏充电电池。有可能出现内部短路、蓄电池燃烧、发出烟雾、爆炸或过热。
- ▶ 仅在制造商的产品中使用充电电池。这样才能确保充电电池不会过载。



保护充电电池免受高温 (例如长期阳光照射)、火焰、脏污、水和湿气的侵害。有爆炸和短路的危险。



- ▶ 本电动工具交付时带有一块激光警示牌 (见表格“符号及其含义”)。
- ▶ 如果激光警戒牌的文字并非本国语言,则在第一次使用前,将随附的该国语言的贴纸贴在警戒牌上。
- ▶ 切勿掩盖了电动工具上的警示牌。



不得将激光束指向人或动物,请勿直视激光束或反射的激光束。可能会致人炫目、引发事故或损伤眼睛。

- ▶ 如果激光束射向眼部,必须有意识地闭眼,立即从光束位置将头移开。
- ▶ 请不要对激光装置进行任何更改。您可以安全地使用本说明书中描述的设置选项。
- ▶ 不要让儿童在无人监管的情况下使用电动工具。可能意外地让他人或自己炫目。

## 图标

以下符号可以帮助您正确地使用本电动工具。请牢记各符号和它们的代表意思。正确了解各符号的代表意思,可以帮助您更有把握更安全地操作本电动工具。

### 图标及其含义



激光束  
不要直视激光  
激光等级2



当电动工具运转时,切勿把手放在锯切区域内。碰到锯片会有受伤风险。

## 图标及其含义



请佩戴防尘口罩。



请佩戴护目镜。



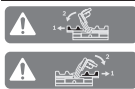
请佩戴听力防护装置。工作噪音会损坏听力。



危险区域！手掌、手指或手臂必须尽可能远离该区域。



搬运电动工具时只能握在标记的位置上（握柄槽）或握在搬运柄上。



锯切垂直斜切角度时，必须将可阻挡轨向外拉出或完全取下。



注意锯片的尺寸（锯片直径D，孔径d）。孔径d必须无间隙地与工具主轴贴合。如果必须使用缩径套，应注意根据锯片厚度、锯片孔径以及工具主轴直径来匹配缩径套的尺寸。尽可能使用与锯片配套的缩径套。

锯片直径D必须与图标上的说明一致。

也可参见“技术数据”一章中的“合适锯片的尺寸”。

## 产品和性能说明



请阅读所有安全规章和指示。不遵照以下警告和说明可能导致电击、着火和/或严重伤害。

请注意本使用说明书开头部分的图示。

## 按照规定使用

本电动工具适合以站立的方式，在木材上进行纵向和横向的直线锯切。水平斜切角度的范围为-48度至+48度，垂直斜切角度的范围为47度（左侧）至47度（右侧）。

本电动工具的功率适合锯切硬木和软木，以及木屑夹板和纤维板。

安装了合适的锯片后，也可以锯切铝制型材和塑料。

## 插图上的机件

机件的编号和电动工具详解图上的编号一致。

- (1) 拉动装置的固定螺栓
- (2) 拉动装置
- (3) 运输柄
- (4) 防护罩
- (5) 起停开关的开机锁
- (6) 起停开关
- (7) 手柄
- (8) 激光保护盖
- (9) 激光束发射口
- (10) 摆动防护罩
- (11) 滑轮
- (12) 锯台
- (13) 安装孔
- (14) 垫板
- (15) 锁定夹
- (16) 任意斜切角度的固定旋钮（水平）
- (17) 斜切角度预设杆（水平）
- (18) 防颠覆装置
- (19) 激光警戒牌
- (20) 标准斜切角度的标记槽（水平）
- (21) 斜切角度刻度尺（水平）
- (22) 锯台延长件夹紧螺栓
- (23) 锯台延长件
- (24) 工件座（可灵活插拔）
- (25) 固定挡轨
- (26) 活动式挡轨
- (27) 斜切角度刻度尺（垂直）
- (28) 斜切角度的角度指示器（垂直）
- (29) 导屑器
- (30) 锯片
- (31) 主轴锁
- (32) 充电电池盒的解锁按钮
- (33) 充电电池
- (34) 运输固定装置
- (35) 防颠覆架
- (36) 长度限制器
- (37) 集尘袋
- (38) 限深器的调整螺栓
- (39) 限深器
- (40) 螺杆
- (41) 螺旋夹钳
- (42) 螺旋夹钳安装孔
- (43) 内六角扳手/一字螺丝刀

- |                         |                      |
|-------------------------|----------------------|
| (44) 活动式挡轨的锁定螺栓         | (53) 内夹紧法兰           |
| (45) 斜切角度夹紧轮 (垂直)       | (54) 垫板的固定螺栓         |
| (46) 斜切角度锁定杆 (垂直)       | (55) 激光保护盖螺栓         |
| (47) 工件座定位座 (电动工具上)     | (56) 激光器壳体的固定螺栓      |
| (48) 第二个工件座的定位座 (电动工具上) | (57) 激光器壳体           |
| (49) 螺栓                 | (58) 斜切角度的角度指示器 (水平) |
| (50) 吸尘适配接头             | (59) 角度指示器螺栓 (水平)    |
| (51) 固定锯片的内六角螺栓         | (60) 角度指示器螺栓 (垂直)    |
| (52) 夹紧法兰               | (61) 握柄槽             |

## 技术参数

充电式斜断锯		GCM 18V-216 D	GCM 18V-216 D
物品代码		3 601 M51 0..	3 601 M51 0B. 3 601 M51 0B.
额定电压	伏特=	18	18
空载转速 <sup>A)</sup>	转/分钟	5000	5000
激光种类	纳米	650	650
	毫瓦	< 1	< 1
激光等级		2	2
重量 <sup>B)</sup>	公斤	16.4-17.4	16.4-17.4
充电时建议的环境温度	摄氏度	0至+35	0至+35
工作时和存放时允许的环境温度 <sup>C)</sup>	摄氏度	-20至+50	-20至+50
推荐的充电电池		GBA 18V... ProCORE18V...	GBA 18V... ProCORE18V...
推荐的充电器		GAL 18... GAX 18... GAL 36...	GAL 18... GAX 18... GAL 36...
<b>合适锯片的尺寸</b>			
锯片直径D	毫米	216	216
锯片主体的厚度	毫米	1.2-1.8	1.2-1.8
孔径d	毫米	30	25.4

A) 在20-25摄氏度的条件下带充电电池ProCORE18V 8.0Ah测得

B) 视所使用的充电电池而定

C) 温度<0摄氏度时功率受限

许可的工件尺寸 (最大/最小) : (参见“许可的工件尺寸”, 页 89)

数值可能因不同产品而异, 并且受到应用和环境条件影响。更多信息请参见www.bosch-professional.com/wac。

## 充电电池

Bosch也销售不带充电电池的充电式电动工具。您可以在包装上查看电动工具的供货范围内是否包含充电电池。

### 为充电电池充电

► 请只使用在技术参数中列出的充电器。只有这些充电器才适用于本电动工具上的锂离子电池。

提示: 鉴于国际运输规定, 锂离子充电电池在交货时只完成部分充电。首度使用电动工具之前, 必须先充足充电电池的电量以确保充电电池的功率。

### 安装充电电池

将充好电的充电电池推入电池座, 直到嵌入。

### 取出充电电池

如需取下充电电池, 则请按压解锁按钮, 然后拔出充电电池。在此过程中请勿过度用力。

充电电池具备双重锁定功能, 即使不小心触动了充电电池的解锁按钮, 充电电池也不会从机器中掉落下来。只要充电电池安装在电动工具中, 就会被弹簧固定在其位置上。

### 充电电池电量指示灯

提示: 并非每种充电电池型号均具备电量指示灯。

充电电池电量指示灯的绿色LED灯显示充电电池的电量。基于安全原因，只能在电动工具静止时检查充电电池的电量。

按压充电电量指示灯按键或，来显示充电电量。也可以在充电电池取下时操作。

如果按压充电电量指示灯按键后没有LED灯亮起，则说明充电电池损坏，必须进行更换。

#### 充电电池型号GBA 18V...



LED	电量
3个绿灯长亮	60–100 %
2个绿灯长亮	30–60 %
1个绿灯长亮	5–30 %
1个绿灯闪烁	0–5 %

#### 充电电池型号ProCORE18V...



LED	电量
5个绿灯长亮	80–100 %
4个绿灯长亮	60–80 %
3个绿灯长亮	40–60 %
2个绿灯长亮	20–40 %
1个绿灯长亮	5–20 %
1个绿灯闪烁	0–5 %

### 如何正确地使用充电电池

保护充电电池，避免湿气和水分渗入。

充电电池必须储存在-20 °C至50 °C的环境中。夏天不得将充电电池搁置在汽车中。

不定时地使用柔软，清洁而且干燥的毛刷清洁充电电池的通气孔。

充电后如果充电电池的使用时间明显缩短，代表充电电池已经损坏，必须更换新的充电电池。

请注意有关作废处理的规定。

## 安装

- ▶ 对电动工具执行任何操作（比如保养、更换刀具等）前需将充电电池从电动工具中取出。意外操作起停开关可能会造成伤害。

### 供货范围



为此请注意操作说明书开头显示的供货范围。

电动工具初次投入运行前请检查下列零件是否均配套提供：

- 已经安装好锯片的斜断锯

- 夹紧轮(45)
- 活动式挡轨 (26)
- 螺旋夹钳 (41)
- 内六角扳手/一字螺丝刀(43)
- 集尘袋 (37)
- 工件座(24) (2个)

**提示：**检查电动工具是否有损坏之处。使用电动工具之前，必须详细检查防护装置或轻微损坏的零件是否仍然运作正常。检查活动性零件是否功能正常不会被夹住，以及该零件有否受损。所有的零件都必须安装正确，并且符合规定以确保机器的正常功能。

损坏的防护装置和零件必须按照规定交给合格的专业修理厂修理或更换。

### 安装各部件

- 小心地从包装中取出所有的供货物品。
- 拆除电动工具和附带附件上的所有包装材料。
- 为了在组装随附的设备元件时简化工作，请确保电动工具处于运输位置。

#### 安装工件座（参见插图A1）

工件座(24)可以定位在电动工具的左侧、右侧或前侧。灵活的插拔系统可实现各种加长或加宽型号（参见插图G）。

- 您可以按需将工件座(24)插入电动工具上的定位座(47)或第二个工件座的定位座(48)。

#### ▶ 切勿用工件座携带电动工具。

运输电动工具时只能使用运输装置。

#### 安装夹紧轮（参见插图A2）

夹紧轮(45)用于固定所设置的竖直斜切角度，是安全运行所需。

- 拧下螺栓(49)的六角螺母。
- 将夹紧轮(45)沿顺时针方向拧到螺栓(49)上并拧紧。

#### 安装活动式挡轨（参见插图A3）

必须在锯切前安装活动式挡轨(26)。

- 将锯片右侧的挡轨(26)推入相应的凹槽并拧紧锁定螺栓(44)。
- 挡轨的扁平部分必须向内指向锯片。

### 固定或活动的安装方式

- ▶ 为了能够稳定地操作机器，正式使用之前，必须将电动工具固定在平坦、稳固的工作平面上（例如工作台）。

#### 安装在工作面上（参见插图B1-B2）

- 使用合适的螺栓连接将电动工具固定在工作面上。为此需要钻孔(13)。

或

- 使用市售螺旋夹钳将电动工具的支撑脚夹紧在工作面上。

### 安装在博世工作台上

博世的GTA工作台有可调整高度的桌脚，使电动工具能够站立在任何底面上。工作台的工件托架用于支撑住比较长的工件。

- ▶ **阅读工作台附带的所有警告提示和说明。** 如果不遵守警告提示和说明，可能会导致触电、火灾和/或严重受伤的后果。
- ▶ **安装电动工具之前必须先正确地组装工作台。** 正确组装工作台非常重要，这样可以避免工作台倒塌。
  - 将电动工具以运输位置安装在工作台上。

### 灵活搭建（不建议！）（参见插图B3）

如果在特殊情况下无法将电动工具安装在平稳的工作面上，可以暂时使用防颠覆装置配合安装。

- ▶ **如果没有防颠覆装置，则电动工具不稳固，尤其是在水平和/或垂直斜切角度最大锯切时电动工具可能会倾斜。**
  - 反复旋入或旋出防颠覆装置(18)，直至电动工具直立地站在工作面上。

### 吸锯尘/吸锯屑

含铅的颜料以及某些木材、矿物和金属的加工废尘有害健康。机器操作者或者工地附近的人如果接触、吸入这些废尘，可能会有过敏反应或者感染呼吸道疾病。

某些尘埃（例如加工橡木或山毛榉的废尘）可能致癌，特别是和处理木材的添加剂（例如木材的防腐剂等）结合之后。只有经过专业训练的人才能够加工含石棉的物料。

- 尽可能使用适合物料的吸尘装置。
- 工作场所要保持空气流通。
- 最好佩戴P2滤网等级的口罩。

请留心并遵守贵国和加工物料有关的法规。

- ▶ **避免让工作场所堆积过多的尘垢。** 尘垢容易被点燃。

尘/屑收集装置可能因为废尘、废屑或工件的残屑而造成堵塞。

- 关闭电动工具并取出充电电池。
- 静候让锯片完全停止转动。
- 找出造成阻塞的原因，并且排除障碍。

### 自集尘（参见插图C）

请使用随附的集尘袋(37)来轻松收集碎屑。

- 垂直放置运输手柄(3)。
- 将集尘袋(37)插入吸尘适配接头(50)并转动，直至集尘袋的销钉卡入吸尘适配接头的凹槽中。

锯割时，集尘袋千万不可以接触转动中的零件。及时倒空集尘袋中的废尘。

- ▶ **每次操作完毕后，都要检查并且清洁集尘袋。**
- ▶ **为了避免造成火灾，锯割铝片时要拆除集尘袋。**

### 外部集尘

集尘时，可以将集尘器软管（直径35毫米）连接到吸尘适配接头(50)上。

- 将集尘器软管与吸尘适配接头(50)连接到一起。

根据工件的物料选择合适的集尘装置。

抽吸可能危害健康、可能导致癌症或干燥的废尘时，务必使用特殊的集尘装置。

### 更换锯片（参见插图D1-D4）

- ▶ **对电动工具执行任何操作（比如保养、更换刀具等）前需将充电电池从电动工具中取出。** 意外操作起停开关可能会造成伤害。
- ▶ **安装锯片时务必穿戴防护手套。** 手如果接触锯片可能被割伤。

所使用的锯片的最高许可转速必须高于电动工具的无负载转速。

根据本说明书中提出的技术数据选择合适的锯片。必须选用通过EN 847-1认证而且标示了此认证的锯片。

只能使用由本电动工具制造商所推荐的锯片，以及适合加工物料的锯片。这可防止锯切时锯齿过热。

### 拆卸锯片

- 将电动工具调整在工作位置上。
- 将摆动防护罩(10)向后翻，并将其保持在该位置。
- 用内六角扳手（6毫米）(43)转动内六角螺栓(51)，同时按下主轴锁(31)，直到卡紧。
- 按住主轴锁(31)并顺时针拧出内六角螺栓(51)（左螺纹！）。
- 取下夹紧法兰(52)。
- 取下锯片(30)。
- 重新慢慢放下摆动防护罩。

### 安装锯片

- ▶ **安装时请注意，锯齿的锯切方向（锯片上的箭头方向）必须和防护罩上的箭头方向一致！**

必要的话，在安装之前清洁所有的零部件。

- 将摆动防护罩(10)向后翻，并将其保持在该位置。
- 将新锯片放到内夹紧法兰(53)上。
- 装上夹紧法兰(52)和内六角螺栓(51)。按压主轴锁(31)，直至卡止，然后逆时针拧紧内六角螺栓。
- 重新慢慢放下摆动防护罩。

## 运行

- ▶ **对电动工具执行任何操作（比如保养、更换刀具等）前需将充电电池从电动工具中取出。** 意外操作起停开关可能会造成伤害。

### 运输固定装置（参见插图E）

运输固定装置(34)方便您将电动工具运输到不同的安装位置。

#### 松开电动工具的锁定（工作位置）

- 通过手柄(7)略微向下按压机臂，以松开运输固定装置(34)。
- 向外完全拉出运输固定装置(34)。
- 慢慢向上提起机臂。

**锁定电动工具（运输位置）**

- 如果拉动装置(2)夹住了固定螺丝(1)，则请松开。将机臂向前拉到底，然后重新拧紧固定螺栓以便锁定拉动装置。
- 向上拉起限深器(39)。
- 锁定锯台(12)时，请拧紧固定旋钮(16)。
- 通过手柄(7)尽可能地向下移动机臂，直至将运输固定装置(34)向内压到底。

此时机臂已经被锁定，您可以搬运机器了。

**准备工作**

为了确保精确的锯切，在频繁使用之后必须检查电动工具的基本设定，必要时进行适度调整。检查时不仅要有足够的经验，而且还要使用特殊工具。

**移动挡轨（参见插图H）**

锯切水平和/或垂直斜切角度时，必须根据切割方向向外拉动或完全取下左右侧的活动式挡轨(26)。

垂直斜切角度	水平斜切角度	
0度 - 22.5度 (左侧/右侧)	> 0度	- 松开左侧/右侧锁定螺栓(44)。 - 向外完全拉出左侧/右侧活动式挡轨(26)。
22.5度-47度 (左侧/右侧)	≤ 48度 (左侧/右侧)	- 松开左侧/右侧锁定螺栓(44)。 - 向外完全拉出左侧/右侧活动式挡轨(26)。 - 向上提起活动式挡轨。

**固定工件（参见插图I）**

为了确保最佳工作安全性，务必固定好工件。不要加工太小而无法固定的工件。

- 把工件紧紧地顶在挡轨(26)和(25)上。
- 将随附的螺旋夹钳(41)插到规定的孔(42)中。
- 根据工件高度调整螺旋夹钳的螺杆(40)。
- 拧紧螺杆(40)，从而固定住工件。

**调整水平斜切角度****调整水平标准斜切角度（参见插图J）**

锯台上设有标记槽(20)，以便快速精确地调整经常使用的水平斜切角度：

左	右
0度	
45度；30度；22.5度； 15度	15度；22.5度；30度； 45度

- 如果固定旋钮(16)被拧紧了，请先松开。
- 拉动杆(17)，向左或向右转动锯台(12)，直至达到所需的标记槽。
- 重新松开杆。杆必须正确地陷入标记槽中。
- 再次拧紧固定旋钮(16)。

**设定任意水平斜切角度（参见插图K）**

水平斜切角度可在48度（左侧）至48度（右侧）之间调整。

- 如果固定旋钮(16)被拧紧了，请先松开。

博世的客户服务中心能够快速可靠地执行这项工作。

**加长/加宽锯台（参见插图F-G）**

如果工件又长又重，必须在它悬空的末端放上衬垫或做好支撑。

借助锯台延长件(23)可以向左右加长锯台。

- 松开夹紧螺栓(22)。
  - 向外拉动锯台延长件(23)，直至达到所需的长度。
  - 重新拧紧夹紧螺栓(22)，从而固定锯台加长件。工件座(24)的灵活插拔系统可实现各种加长或加宽型号。
  - 您可以按需将工件座(24)插入电动工具上的定位座(47)或第二个工件座的定位座(48)。
- ▶ 切勿用工件座携带电动工具。  
运输电动工具时只能使用运输装置。

- 拉动杆(17)，同时按压锁定夹(15)，直至卡入规定的凹槽中。这样锯台就能自由移动。
- 通过固定旋钮向左或向右转动锯台(12)，直至角度指示器(58)指在需要的水平斜切角度上。
- 再次拧紧固定旋钮(16)。
- 要重新松开杆(17)（为了调整水平标准斜角尺），将杆向上拉。锁定夹(15)跳回初始位置，杆(17)可以重新卡入标记槽(20)。

**调整垂直斜切角度**

垂直斜切角度可在47度（左侧）至47度（右侧）之间调整。

为了能够快速且精准地设定经常使用的垂直斜切角度，在0度、22.5度和45度上有固定位置。

- 请确保夹紧轮(45)已安装（参见“安装夹紧轮（参见插图A2）”，页86）。

**设定垂直表斜切角度（参见插图L）**

- 将活动式挡轨(26)完全向外拉出或将其完全拆下。
- 松开夹紧轮(45)。
- 向外拉出锁定杆(46)并卡入空转位置。以便使用整个斜切角度范围（左侧和右侧）。
- 通过手柄(7)向左或向右摆动机臂，直至角度指示器(28)指在需要的垂直标准斜切角度上。
- 旋转锁定杆(46)。必须能感觉到锁定杆卡入所需的垂直标准斜切角度的位置。
- 重新拧紧夹紧轮(45)。



### 设定任意垂直斜切角度

- 将活动式挡轨(26)完全向外拉出或将其完全拆下。
- 松开夹紧轮(45)。
- 向外拉出锁定杆(46)并卡入空转位置。以便使用整个斜切角度范围(左侧和右侧)。
- 通过手柄(7)向左或向右摆动机臂，直至角度指示器(28)指在需要的垂直斜切角度上。
- 重新拧紧夹紧轮(45)。

### 投入使用

- ▶ **锯切之前务必拧紧固定旋钮(16)和夹紧轮(45)。**否则锯片可能在工件中倾斜。

### 接通 (参见插图M)

- 接通电动工具时，首先将开机锁(5)推到中间，然后按压电源开关(6)并按住。

**提示：**基于安全的顾虑，电源开关(6)无法被锁定。所以操作机器时必须持续地按住开关。

### 关机

- 关闭时，请松开电源开关(6)。

### 锯切

#### 一般性的锯切提示

- ▶ **锯切之前务必拧紧固定旋钮(16)和夹紧轮(45)。**否则锯片可能在工件中倾斜。
- ▶ **进行任何锯切之前，必须先确定锯片不会接触挡轨、螺旋夹钳或其它的机件。必要时得拆除辅助挡块，或者适度调整辅助挡块。**

保护锯片免受碰撞和敲击。不可以侧压锯片。

仅锯切已批准使用的材料。

不可以加工变形的工件。工件必须有一道笔直的边，这样才能够紧靠在挡轨上。

如果工件又长又重，必须在它悬空的末端放上衬垫或做好支撑。

检查摆动防护罩的功能是否正常，能否自由移动。向下移动机臂时，必须打开摆动防护罩。向上移动机臂时，必须关闭锯片上方的摆动防护罩并卡在机臂最上方的位置。

#### 操作者的位置 (参见插图N)

- ▶ **不要和电动工具前的锯片站在一条线上，而是要站在锯片的侧面。**这样可以避免工具回跳而伤到身体。
- 手掌、手指和手臂必须远离转动中的锯片。
- 不要在机臂前交叉双手。

#### 带拉动的锯切

- 对于利用拉动装置(2)进行的锯切(宽工件)，如果固定螺栓(1)被拧紧了，请先松开。
- 必要时，请调整所需的水平和/或垂直斜切角度。
- 把工件紧紧地顶在挡轨(25)和(26)上。
- 根据尺寸正确地夹紧工件。
- 将机臂脱离挡轨(25)，直至锯片位于工件的前方。
- 接通电动工具的电源。

- 通过手柄(7)缓慢向下移动机臂。
- 现在把机臂推向挡轨(25)和(26)方向，然后施力均匀地锯切工件。
- 关闭电动工具并等待，直至锯片完全停止转动。
- 慢慢向上提起机臂。

#### 无拉动的锯切 (砍锯) (参见插图O)

- 对于无拉动的锯切方式(小工件)，如果固定螺栓(1)被拧紧了，请先松开。把机臂推向挡轨(25)方向的限位，并重新拧紧固定螺栓(1)。
- 必要时，请调整所需的水平和/或垂直斜切角度。
- 把工件紧紧地顶在挡轨(25)和(26)上。
- 根据尺寸正确地夹紧工件。
- 接通电动工具的电源。
- 通过手柄(7)缓慢向下移动机臂。
- 施力均匀地锯切工件。
- 关闭电动工具并等待，直至锯片完全停止转动。
- 慢慢向上提起机臂。

### 工作提示

#### 标记锯切线 (参见插图P)

两道激光为您标示了锯片的锯切线。这样您可以准确地放置好即将锯切的工件，而无需打开摆动防护罩。

- 短促点击电源开关(6)，不要按压开机锁(5)，以此来接通激光束。
- 工件上的记号要画在两道激光线之间。

**提示：**锯切前请检查显示的切线是否正确(参见“校准激光”，页90)。在密集使用机器之后，激光可能会因为震动而出现偏差。

#### 许可的工件尺寸

##### 最大工件：

水平斜切角度	垂直斜切角度	高 x 宽 [毫米]
0度	0度	70 x 305
45度 (左侧/右侧)	0度	70 x 215
45度 (左侧)	45度 (左侧)	42 x 215
45度 (右侧)	45度 (右侧)	20 x 215
0度	45度 (左侧)	42 x 305
0度	45度 (右侧)	20 x 305

**最小工件** (= 所有可以通过随附的螺旋夹钳(41)夹紧在锯片左侧或右侧的工件)：100 x 40毫米 (长 x 宽)

**最大切削深度** (0度/0度)：70毫米

#### 调整限深器 (只在锯切时) (参见插图Q)

锯切凹槽时必须调整限深器。

- 向前翻出限深器(39)。
- 通过手柄(7)将机臂摆动到所需的位置。
- 转动调整螺栓(38)，直至螺栓末端接触到限深器(39)。
- 慢慢向上提起机臂。

**锯切等长的工件 (参见插图R)**

简单锯切等长工件时，可以使用左侧或右侧的长度限制器(36)。

- 向上转动长度限制器(36)。
- 将锯台延长件(23)调整到所需的工件长度。

**特殊工件**

锯切弯曲或圆形工件时，必须特别加强固定好工作，以防工件打滑。在锯切线上，工件、挡轨和锯台之间不允许有空隙。

必要时，必须制造专用支架。

**更换垫板 (参见插图S)**

长期使用电动工具之后，衬板(14)会磨损。

更换损坏的垫板。

- 将电动工具调整在工作位置上。
- 用市售十字螺丝刀旋出螺栓(54)，然后取出旧垫板(14)。
- 放入新的垫板，然后重新拧紧螺栓(54)。

**校准激光**

**提示：**要测试激光功能，必须将电动工具连接到电源上。

▶ **校准激光时 (例如移动机臂时)，千万不要按下电源开关。**无意中启动电动工具可能会造成伤害。

- 将电动工具调整在工作位置上。
- 转动锯台(12)，直至达到0度对应的标记槽(20)。必须可以感觉到杆(17)卡入标记槽中。

为了确保精确的锯切，在频繁使用之后必须检查激光束，必要时请重新调整。

检查时不仅要有足够的经验，而且还要使用特殊工具。

博世的客户服务中心能够快速可靠地执行这项工作。

**检查 (参见插图T1)**

- 在工件上画一条切线。
- 通过手柄(7)缓慢向下移动机臂。
- 调整工件，让锯片上的锯齿靠在锯切线上。
- 让工件保持在这个位置上，重新慢慢向上提起机臂。
- 固定好工作。
- 利用开关(6)接通激光束，无需按压开机锁(5)。

即使在放下机臂时，投射在工件上锯切线两侧的激光束必须和整段锯切线等距平行。

**拆下激光保护盖 (参见插图T2)**

- 用内六角扳手/一字螺丝刀(43)松开激光保护盖(8)的两个螺栓(55)，并取下激光保护盖。

**调整移动机臂时产生的侧面偏移 (参见插图T3-T4)**

- 拧松固定螺栓(56) (约1到2圈)。不要完全拧出螺栓。
- 向右或向左移动激光器壳体(57)，让激光在机臂向下移动时不再朝着侧面偏移。

- 将激光器的壳体(57)保持在该位置，然后再次拧紧固定螺栓(56)。
- 重新固定激光保护盖(8)。

**检查和调整基本设定**

为了确保精确的锯切，在频繁使用之后必须检查电动工具的基本设定，必要时进行适度调整。

检查时不仅要有足够的经验，而且还要使用特殊工具。

博世的客户服务中心能够快速可靠地执行这项工作。

**对齐角度指示器 (水平) (参见插图U)**

- 将电动工具调整在工作位置上。
- 转动锯台(12)，直至达到0度对应的标记槽(20)。必须可以感觉到杆(17)卡入标记槽中。

**检查**

角度指示器(58)必须与刻度尺(21)的0度标记成一条线。

**调整**

- 用十字螺丝刀松开螺栓(59)，然后沿着0度标记对齐角度指示器。
- 再度拧紧螺丝。

**对齐角度指示器 (垂直) (参见插图V)**

- 将电动工具调整在工作位置上。
- 松开夹紧轮(45)。
- 将锁定杆(46)向外拉并用机臂将垂直斜切角度设置为0度。
- 松开锁定杆(46)。必须能感觉到锁定杆卡入该位置。
- 重新拧紧夹紧轮(45)。

**检查**

角度指示器(28)必须与刻度尺(27)的0度标记成一条线。

**调整**

- 用十字螺丝刀松开螺栓(60)，然后沿着0度标记对齐角度指示器。
- 再度拧紧螺丝。

**运输电动工具 (参见插图W)**

▶ **对电动工具执行任何操作 (比如保养、更换刀具等) 前需将充电电池从电动工具中取出。**意外操作起停开关可能会造成伤害。

运输电动工具之前必须先执行以下各步骤：

- 如果固定螺栓(1)被拧紧了，请先松开。将机臂向前拉到底，然后重新拧紧固定螺栓。
- 确保限深器(39)已完全向后翻出并且在移动机臂时不会碰到调整螺栓(38)。
- 将电动工具调整在运输位置上。
- 拆除所有无法固定安装在电动工具上的附件。运输时必须尽可能把不使用的锯片放置在封闭的盒子中。
- 垂直放置运输手柄(3)。
- 通过运输手柄(3)抬起电动工具或握住锯台侧面的握柄槽(61)。

- ▶ 运输电动工具时只能使用运输装置，不得使用防护装置或工件座。

## 维修和服务

### 保养和清洁

- ▶ 对电动工具执行任何操作（比如保养、更换刀具等）前需将充电电池从电动工具中取出。意外操作起停开关可能会造成伤害。
- ▶ 电动工具和通气孔必须随时保持清洁，以确保工作效率和工作安全。

摆动防护罩必须能够无阻地来回摆动，并且要能够自动关闭，所以防护罩的四周必须随时保持清洁。每次工作结束后，使用压缩空气或毛刷清除机器上的灰尘和锯屑。

定期清洁滑轮(11)。

### 降低噪音的措施

制造商提供的方法：

- 缓速启动
- 提供特别为了降低噪音而研发的锯片

操作者自己能做的措施：

- 将机器安装在稳固的工作面上，可以降低震动
- 使用具备了降低噪音功能的锯片
- 定期清洁锯片和电动工具

### 客户服务和应用咨询

本公司客户服务处负责回答有关本公司产品的修理、维护和备件的问题。备件的展开图纸和信息也可查看：[www.bosch-pt.com](http://www.bosch-pt.com)

博世应用咨询团队乐于就我们的产品及其附件问题提供帮助。

询问和订购备件时，务必提供机器铭牌上标示的10位数物品代码。

### 中国大陆

博世电动工具（中国）有限公司  
中国 浙江省 杭州市  
滨江区 滨康路567号  
102/1F 服务中心

邮政编码：310052

电话：(0571)8887 5566 / 5588

传真：(0571)8887 6688 x 5566# / 5588#

电邮：[bsc.hz@cn.bosch.com](mailto:bsc.hz@cn.bosch.com)

[www.bosch-pt.com.cn](http://www.bosch-pt.com.cn)

### 制造商地址：

Robert Bosch Power Tools GmbH

罗伯特·博世电动工具有限公司

70538 Stuttgart / GERMANY

70538 斯图加特 / 德国

### 其他服务地址请见：

[www.bosch-pt.com/serviceaddresses](http://www.bosch-pt.com/serviceaddresses)

### 搬运

所推荐的锂离子充电电池必须符合危险物品法规。使用者无须另外使用保护包装便可以运送该充电电池。

但是如果将它交由第三者运送（例如：寄空运或委托运输公司）则要用特殊的包装和标示。此时必须向危险物品专家请教有关寄送危险物品的相关事宜。

确定充电电池的外壳未受损后，才可以寄送充电电池。粘好未加盖的触点并包装好充电电池，不可以让充电电池在包装中晃动。必要时也得注意各国有关的法规。

### 处理废弃物



必须以符合环保的方式，回收再利用损坏的电动工具、充电电池、附件和废弃的包装材料。



不可以把电动工具和充电电池/蓄电池丢入一般的家庭垃圾中！

### 充电电池/电池：

#### 锂离子：

请注意“搬运”段落中的指示（参见“搬运”，页 91）确认设置。

### 产品中有害物质的名称及含量

部件名称	有害物质					
	铅 (Pb)	汞 (Hg)	镉 (Cd)	六价铬 (Cr <sup>+6</sup> )	多溴联苯 (PBB)	多溴二苯醚 (PBDE)
外壳的金属部分	○	○	○	○	○	○
外壳的非金属部分	○	○	○	○	○	○
机械传动机构	X	○	○	○	○	○
电机组件	X	○	○	○	○	○
控制组件	X	○	○	○	○	○
附件	○	○	○	○	○	○

部件名稱	有害物質					
	鉛 (Pb)	汞 (Hg)	鎘 (Cd)	六價鉻 (Cr <sup>6+</sup> )	多溴聯苯 (PBB)	多溴二苯醚 (PBDE)
配件	○	○	○	○	○	○
連接件	X	○	○	○	○	○
電源線①	○	○	○	○	○	○
電池系統②	X	○	○	○	○	○

本表格依據SJ/T11364的規定編制。

○：表示該有害物質在該部件所有均質材料中的含量均在GB/T 26572規定的限量要求以下。

X：表示該有害物質至少在該部件的某一均質材料中的含量超出GB/T 26572規定的限量要求。且目前業界沒有成熟的替代方案，符合歐盟RoHS指令環保要求。

① 適用於採用電源線連接供電的產品。

② 適用於採用充電電池供電的產品。

產品環保使用期限內的使用條件參見產品說明書。

## 繁體中文

### 安全注意事項

#### 電動工具通用安全警告

**警告** 請詳讀工作臺及電動工具的所有安全警告與使用說明。若不遵照以下列出的指示，將可能導致電擊、著火和/或人員重傷。

保存所有警告和說明書以備查閱。

在所有警告中，「電動工具」此一名詞泛指：以市電驅動的（有線）電動工具或是以電池驅動的（無線）電動工具。

#### 工作場地的安全

- ▶ 保持工作場地清潔和明亮。混亂和黑暗的場地會引發事故。
- ▶ 不要在易爆環境，如有易燃液體、氣體或粉塵的環境下操作電動工具。電動工具產生的火花會點燃粉塵或氣體。
- ▶ 讓兒童和旁觀者離開後操作電動工具。注意力不集中會使您失去對工具的控制。

#### 電氣安全

- ▶ 電動工具插頭必須與插座相配。絕不能以任何方式改裝插頭。需接地的電動工具不能使用任何轉換插頭。未經改裝的插頭和相配的插座將減少電擊危險。
- ▶ 避免人體接觸接地表面，如管道、散熱片和冰箱。如果您身體接地會增加電擊危險。
- ▶ 不得將電動工具暴露在雨中或潮濕環境中。水進入電動工具將增加電擊危險。
- ▶ 不得濫用電線。絕不能用電線搬運、拉動電動工具或拔出其插頭。使電線遠離熱源、油、銳利邊緣或移動零件。受損或纏繞的軟線會增加電擊危險。

- ▶ 當在戶外使用電動工具時，使用適合戶外使用的延長線。適合戶外使用的軟線，將減少電擊危險。
- ▶ 如果在潮濕環境下操作電動工具是不可避免的，應使用剩餘電流動作保護器（RCD）。使用RCD可降低電擊危險。

#### 人身安全

- ▶ 保持警覺，當操作電動工具時關注所從事的操作並保持清醒。當您感到疲倦，或在有藥物、酒精或治療反應時，不要操作電動工具。在操作電動工具時瞬間的疏忽會導致嚴重人身傷害。
- ▶ 使用個人防護裝置。始終佩戴護目鏡。安全裝置，諸如適當條件下使用防塵面具、防滑安全鞋、安全帽、聽力防護等裝置能減少人身傷害。
- ▶ 防止意外起動。確保開關在連接電源和/或電池盒、拿起或搬運工具時處於關閉位置。手指放在已接通電源的開關上或開關處於接通時插入插頭可能會導致危險。
- ▶ 在電動工具接通之前，拿掉所有調節鑰匙或扳手。遺留在電動工具旋轉零件上的扳手或鑰匙會導致人身傷害。
- ▶ 手不要伸展得太長。時刻注意立足點和身體平衡。這樣在意外情況下能很好地控制電動工具。
- ▶ 著裝適當。不要穿寬鬆衣服或佩戴飾品。讓您的衣物及頭髮遠離運動部件。寬鬆衣服、佩飾或長髮可能會捲入運動部件中。
- ▶ 如果提供了與排屑、集塵設備連接用的裝置，要確保他們連接完好且使用得當。使用這些裝置可減少塵屑引起的危險。
- ▶ 切勿因經常使用工具所累積的熟練感而過度自信，輕忽工具的安全守則。任何一個魯莽的舉動都可能瞬間造成人員重傷。

#### 電動工具使用和注意事項

- ▶ 不要濫用電動工具，根據用途使用適當的電動工具。選用適當設計的電動工具會使您工作更有效、更安全。

- ▶ 如果開關不能開啟或關閉工具電源，則不能使用該電動工具。不能用開關來控制的電動工具是危險的且必須進行修理。
- ▶ 在進行任何調整、更換配件或貯存電動工具之前，必須從電源上拔掉插頭並 / 或取出電池盒。這種防護性措施將減少工具意外起動的危險。
- ▶ 將閒置不用的電動工具貯存在兒童所及範圍之外，並且不要讓不熟悉電動工具或對這些說明不瞭解的人操作電動工具。電動工具在未經培訓的用戶手中是危險的。
- ▶ 保養電動工具與配備。檢查運動件是否調整到位或卡住，檢查零件破損情況和影響電動工具運行的其他狀況。如有損壞，電動工具應在使用前修理好。許多事故由維護不良的電動工具引發。
- ▶ 保持切割刀具鋒利和清潔。保養良好的有鋒利切削刃的刀具不易卡住而且容易控制。
- ▶ 按照使用說明書，考慮作業條件和進行的作業來使用電動工具、配件和工具的工具頭等。將電動工具用於那些與其用途不符的操作可能會導致危險。
- ▶ 把手及握持區應保持乾燥、潔淨，且不得沾染任何油液或油脂。易滑脫的把手及握持區將無法讓您在發生意外狀況時安全地抓緊並控制工具。

#### 電池式工具使用和注意事項

- ▶ 只用製造商規定的充電器充電。將適用於某種電池盒的充電器用到其他電池盒時會發生著火危險。
- ▶ 只有在配有專用電池盒的情況下才使用電動工具。使用其他電池盒會發生損壞和著火危險。
- ▶ 當電池盒不用時，將它遠離其他金屬物體，例如回形針、硬幣、鑰匙、釘子、螺絲或其他小金屬物體，以防一端與另一端連接。電池端部短路會引起燃燒或火災。
- ▶ 在濫用條件下，液體會從電池中濺出；避免接觸。如果意外碰到了，用水沖洗。如果液體碰到了眼睛，還要尋求醫療幫助。從電池中濺出的液體會發生腐蝕或燃燒。
- ▶ 請勿使用已受損或經改裝的電池盒。已受損或經改裝的電池組可能出現無法預期的反應，進而導致著火、爆炸或造成人員受傷。
- ▶ 勿讓電池盒或工具靠近火源或暴露於異常溫度環境中。若是靠近火源或暴露在超過130 °C的環境中可能造成爆炸。
- ▶ 請完全遵照所有的充電說明，電池盒或工具的溫度若是超出指示的規定範圍，請勿進行充電。不當充電或是在規定的溫度範圍內進行充電，皆可能造成電池損壞並面臨更高的著火風險。

#### 檢修

- ▶ 將您的電動工具送交專業維修人員，必須使用同樣的備件進行更換。這樣將確保所維修的電動工具的安全性。
- ▶ 請勿自行檢修受損的電池盒。電池組應交由製造商或是獲得授權的服務供應商來進行檢修。

#### 角度切斷機的安全警告

- ▶ 角度切斷機主要用於切割木材或質地相似之產品，無法搭配切割砂輪用於切割金屬類材料，如鋼筋、金屬桿、螺柱等。砂磨粉塵會使運動元件（例如下擋板）卡住。砂輪切割產生的火花會燒到下擋板、墊片與其他塑料零件。
- ▶ 請盡量利用夾具固定加工件。若用手握持加工件，手與鋸片兩側應保持至少100 mm的距離。請勿用此鋸片切割過小而無法固定或需用手握持的工件。若您的手太靠近鋸片，會增加因接觸鋸片而受傷的風險。
- ▶ 加工件需保持固定，並使用圍欄與工作台進行固定。請勿將加工件朝鋸片方向送入或「徒手」進行切割。未固定或移動的加工件可能高速拋出而造成人員受傷。
- ▶ 請推動鋸片通過加工件。切勿拉動鋸片通過加工件。切割時，請將鋸頭升高並拉出而不要與加工件接觸，接著將鋸頭下壓再推動鋸片通過加工件。以拉動方式進行切割會造成鋸片移至加工件上，而使鋸片組件突然射向操作員。
- ▶ 請勿將手穿過鋸片切割路線的上方。以「雙手交叉」的方式握持加工件，例如以左手將加工件握在鋸片右側（反之亦然），是非常危險的。
- ▶ 當鋸片仍在轉動時，不論是為了取下剩餘的木材或任何原因，請勿將雙手伸過圍欄靠近鋸片至100 mm以內。您的手可能因不慎靠近轉動的鋸片而造成嚴重的傷害。
- ▶ 在切割前請先檢視您的加工件。若加工件呈現弓形或有彎曲，在固定時請將彎曲面的凸緣朝向圍欄。請隨時讓加工件、圍欄與工作台在切割線上保持切齊。變形或彎曲的加工件可能會扭曲或偏移而在切割時卡到轉動的鋸片。在加工件中不可有釘子等外物。
- ▶ 在使用鋸片前請先將工作台上的工具、木屑等淨空，僅留下加工件。小型碎屑、鬆脫的木材或其他物件如接觸到轉動之鋸片可能會高速射出。
- ▶ 一次只切割一片加工件。將多個加工件疊起來不易固定或支撐，故可能會在切割時卡住鋸片或偏移。
- ▶ 使用前請確實將角度切斷機安裝或放置在水平、堅固的工作面上。水平且堅固的工作面可降低使角度切斷機不穩定的風險。
- ▶ 作業前請先做規劃。每次變動傾斜或斜角的設定時，請記得調整圍欄使其能正確支撐加工件且不會影響到防護系統。當機具未「開啟」且工作台上無加工件的情況下，先模擬移動鋸片以確認其不會受到任何影響或有切割到圍欄的風險。
- ▶ 遇到較工作台更長或更寬的加工件時，請用工作台延伸裝置、鋸木架等協助固定。若未確實固定超出角度切斷機的加工件，則加工件可能會翻倒。若切斷的物品或加工件翻倒，可能會使下擋板翻起或物品被轉動的鋸片射出。
- ▶ 請勿讓其他人員擔任工作台延伸裝置或額外支撐物的角色。未固定加工件在切割時會造成刀片卡住或使加工件移動而使您與助手偏向鋸片。

- ▶ 切除的物件不可卡住或靠近轉動的鋸片。若加以限制（如使用長度擋片），切除的物件可能會接觸到鋸片而突然射出。
- ▶ 請隨時利用固定裝置或夾具將圓形材料如桿子、管子等妥善固定。桿子在切割時容易滾動，使鋸片卡住而將加工件連同您的手一起「捲入」鋸片中。
- ▶ 在讓鋸片接觸加工件時，請先讓刀片達到全速運轉的狀態。如此可降低加工件射出的風險。
- ▶ 若加工件或鋸片卡住，請將角度切斷機關閉。請等候移動零件停止再將插頭從電源拔掉及 / 或取下電池組。接著再設法清除卡住的材料。在加工件卡住的狀態下繼續鋸切會造成失控或角度切斷機損壞。
- ▶ 在切割完畢後，請鬆開開關、保持鋸頭朝下等候鋸片停止，然後再取下切開的加工件。用手靠近急轉的鋸片非常危險。
- ▶ 當切割不完整或在鋸頭未完全處於下方位置時鬆開開關，請握緊握把。鋸片的煞車動作會造成鋸頭突然下拉而有受傷的風險。
- ▶ 鋸頭到達最低位置時，請勿鬆開手把手。隨時用手將鋸頭放回最高位置。若鋸頭失控，則有受傷的風險。
- ▶ 作業區請保持整潔。複合材質是極具危險性的材質。輕質合金粉塵可能會起火或爆炸。
- ▶ 不可以使用已經變鈍、有裂痕、彎曲或損壞的鋸片。鋸片如果已經變鈍了，或者鋸齒變形了，會因為鋸縫過小而提高鋸割時的磨擦，鋸片容易被夾住並造成反彈。
- ▶ 不可以使用高合金快速鋼（HSS）製造的鋸片。此類鋸片容易折斷。
- ▶ 請務必使用具備正確尺寸和心軸形狀（鑽石或圓形）的鋸片。不符合鋸片安裝硬體的刀片在運轉時將會偏離中心，進而導致失控。
- ▶ 如果電動工具仍在運轉，不可以試著清除切割範圍內的鋸屑、木屑等。先收回機臂然後再關閉電動工具。
- ▶ 加工後如果鋸片尚未冷卻，切勿觸摸鋸片。工作時鋸片會變得非常灼熱。
- ▶ 如果充電電池損壞了，或者未按照規定使用充電電池，充電電池中會散發出有毒蒸氣。充電電池可能起火或爆炸。工作場所必須保持空氣流通，如果身體有任何不適必須馬上就醫。充電電池散發的蒸氣會刺激呼吸。
- ▶ 切勿拆開充電電池。可能造成短路。
- ▶ 尖銳物品（例如釘子或螺絲起子）或是外力皆有可能造成充電電池損壞。進而導致內部短路而發生電池起火、冒煙、爆炸或過熱等事故。
- ▶ 僅可在製造商的產品中使用充電電池。如此才可提供過載保護。



保護充電電池免受高溫（例如長期日照）、火焰、污垢、水液和濕氣的侵害。有爆炸及短路之虞。



- ▶ 本電動工具出貨時皆有附掛雷射警示牌（詳見「符號和它們的代表意義」一覽表）。

- ▶ 雷射警示牌上的內容若不是以貴國語言書寫，則請於第一次使用前將隨附的當地語言說明紙貼覆於其上。
- ▶ 謹慎對待電動工具上的警告標示，絕對不可讓它模糊不清而無法辨識。



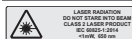
請勿將雷射光束對準人員或動物，您本人亦不可直視雷射光束或使雷射光束反射。因為這樣做可能會對他人眼睛產生眩光，進而引發意外事故或使眼睛受到傷害。

- ▶ 萬一雷射光不小心掃向眼睛，應立刻閉上眼睛並立刻將頭轉離光束範圍。
- ▶ 請勿對本雷射裝備進行任何改造。您可以放心使用本操作說明書中所提及的設定方法。
- ▶ 不可放任兒童在無人監督之下使用本電動工具。他們可能會不小心對他人或自己的眼睛造成眩光。

## 符號

以下符號可以幫助您正確地使用本電動工具。請牢記各符號和它們的代表意義。正確了解各符號代表的意義，可以幫助您更有把握更安全地操作本電動工具。

### 符號和它們的代表意義



雷射光束  
請勿直視光束  
雷射等級 2



當電動工具運轉時，切勿把手伸進鋸切範圍內。手若觸碰鋸片有被割傷的危險。



請佩戴防塵面罩。



請佩戴護目鏡。



請佩戴耳罩。工作噪音會損壞聽力。



危險範圍！手掌、手臂和手指頭必須儘可能遠離此範圍。



搬運電動工具時只能握在專門為搬運而設置的指定位置上（把手槽）或握在搬運把手上。

## 符號和它們的代表意義



切割垂直斜鋸角時必須將可調式止動滑軌往外拉或整個拆除。



請注意鋸片尺寸（鋸片直徑 **D**，孔徑 **d**）。孔徑 **d** 必須和工具主軸完全吻合，不能有空隙。如果必須使用異徑管，則應注意：異徑管尺寸必須與鋸片主體厚度、鋸片孔徑以及工具主軸直徑相配。請儘可能使用鋸片隨附的異徑管。

鋸片直徑 **D** 必須與符號上的數值相符。

請參考「技術性數據」章節中「適用鋸片的尺寸」。

## 產品和功率描述



請詳讀所有安全注意事項和指示。如未遵守安全注意事項與指示，可能導致火災、人員遭受電擊及 / 或重傷。

請留意操作說明書中最前面的圖示。

## 依規定使用機器

本電動工具適合以站立的方式，在木材上進行縱向和橫向的直線鋸切。同時水平斜鋸角為  $-48^\circ$  至  $+48^\circ$ ，垂直斜鋸角為  $47^\circ$ （左側）至  $47^\circ$ （右側）。

本電動工具的功率適合鋸切硬木和軟木，以及塑合板與纖維板。

安裝合適的鋸片後，也可以鋸切鋁製型材和塑膠。

## 插圖上的機件

機件的編號和電動工具詳解圖上的編號一致。

- (1) 拉引裝置的止付螺栓
- (2) 拉引裝置
- (3) 搬運把手
- (4) 防護罩
- (5) 起停開關的作動安全鎖
- (6) 起停開關
- (7) 把手
- (8) 雷射保護蓋
- (9) 雷射光束射出口
- (10) 活動防護罩
- (11) 滑輪
- (12) 鋸台
- (13) 安裝孔
- (14) 嵌補板
- (15) 止動夾
- (16) 偏好斜鋸角的鎖定旋鈕（水平）
- (17) 斜鋸角設定扳片（水平）
- (18) 防傾保護設計
- (19) 雷射警示牌
- (20) 基本斜鋸角的刻槽（水平）
- (21) 斜鋸角刻度尺（水平）
- (22) 鋸台延長件的止付螺栓
- (23) 鋸台延長件
- (24) 工件托架（可彈性插拔式）
- (25) 固定式止動滑軌
- (26) 可調式止動滑軌
- (27) 斜鋸角刻度尺（垂直）
- (28) 斜鋸角的角度指示器（垂直）
- (29) 導屑器
- (30) 鋸片
- (31) 主軸鎖
- (32) 充電電池解鎖按鈕
- (33) 充電電池
- (34) 搬運固定裝置
- (35) 防傾架
- (36) 長度擋塊
- (37) 集塵袋
- (38) 限深擋塊的校正螺栓
- (39) 限深擋塊
- (40) 螺桿
- (41) 活動夾鉗
- (42) 活動夾鉗安裝孔
- (43) 內六角扳手 / 一字螺絲起子
- (44) 可調式止動滑軌的鎖定螺栓
- (45) 斜鋸角夾緊輪（垂直）
- (46) 斜鋸角鎖止扳片（垂直）
- (47) 工件托架支座（在電動工具上）
- (48) 第二個工件托架的支座（在工件托架上）
- (49) 螺紋插銷
- (50) 吸塵轉接頭
- (51) 固定鋸片的內六角螺栓
- (52) 緊固法蘭
- (53) 內側緊固法蘭
- (54) 嵌補板固定螺栓
- (55) 雷射保護蓋的固定螺栓
- (56) 雷射外殼的固定螺栓
- (57) 雷射外殼
- (58) 斜鋸角的角度指示器（水平）
- (59) 角度指示器的固定螺栓（水平）
- (60) 角度指針的固定螺栓（垂直）
- (61) 把手凹槽

## 技術性數據

充電式斜斷鋸		GCM 18V-216 D	GCM 18V-216 D
產品機號		<b>3 601 M51 0..</b>	<b>3 601 M51 0B. 3 601 M51 0B.</b>
額定電壓	V=	18	18
無負載轉速 <sup>A)</sup>	次 / 分	5000	5000
雷射種類	nm	650	650
	mW	< 1	< 1
雷射等級		2	2
重量 <sup>B)</sup>	kg	16.4-17.4	16.4-17.4
充電狀態下的建議環境溫度	°C	0 ... +35	0 ... +35
操作狀態下的容許環境溫度 <sup>C)</sup> 以及存放狀態下	°C	-20 ... +50	-20 ... +50
建議使用的充電電池		GBA 18V... ProCORE18V...	GBA 18V... ProCORE18V...
建議使用的充電器		GAL 18... GAX 18... GAL 36...	GAL 18... GAX 18... GAL 36...
<b>適用鋸片的尺寸</b>			
鋸片直徑 D	mm	216	216
鋸片主體的厚度	mm	1.2-1.8	1.2-1.8
孔徑 d	mm	30	25.4

A) 於 20-25 °C 配備充電電池 **ProCORE18V 8.0Ah** 時測得。

B) 視所使用的充電蓄電池而定

C) 溫度 <0 °C 時，性能受限

容許的工件尺寸 ( 最大 / 最小 ) : (參見「容許的工件尺寸」, 頁 100)

數值可能因產品而異，並受使用條件以及環境條件影響。進一步資訊請見 [www.bosch-professional.com/wac](http://www.bosch-professional.com/wac)。

## 充電電池

**Bosch** 亦販售不含充電電池的充電式電動工具。可以從外包裝看出電動工具的供貨範圍是否包括電池。

### 為充電電池進行充電

► **只能選用技術性數據裡所列出的充電器。**僅有這些充電器適用於電動工具所使用的鋰離子充電電池。

**提示：**由於國際運輸規定，出貨時鋰離子充電電池已部分充電。初次使用電動工具之前，請先將充電電池充飽電以確保充電電池蓄滿電力。

### 安裝充電電池

將已充飽電的充電電池推至充電電池固定座內，直到卡緊。

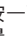
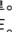
### 取出充電電池

若要取出充電電池，請按解鎖鈕，然後將充電電池抽出。**不可以強行拉出充電電池。**

本充電電池具備了雙重鎖定功能，即使不小心按壓了充電電池解鎖按鈕，充電電池也不會從機器中掉落出來。固定彈簧會把充電電池夾緊在機器中。

## 充電電池的電量指示器

提示：並非所有的充電電池類型都有電量指示器。充電電池的電量指示器透過綠色 LED 燈告知充電電池的目前電量。基於安全顧慮，務必在電動工具完全靜止時才能檢查充電電池的電量。

按一下電量指示器按鈕  或 , 即可顯示目前的電量。即使已取出充電電池，此項功能仍可正常運作。

按壓電量顯示按鈕後，LED 燈若未亮起，即表示充電電池故障，必須予以更換。

### 充電電池型號 GBA 18V...



LED	容量
3 顆綠燈持續亮起	60-100 %
2 顆綠燈持續亮起	30-60 %
1 顆綠燈持續亮起	5-30 %
1 顆綠燈呈閃爍狀態	0-5 %



### 充電電池型號 ProCORE18V...



LED	容量
5 顆綠燈持續亮起	80-100 %
4 顆綠燈持續亮起	60-80 %
3 顆綠燈持續亮起	40-60 %
2 顆綠燈持續亮起	20-40 %
1 顆綠燈持續亮起	5-20 %
1 顆綠燈呈閃爍狀態	0-5 %

### 如何正確地使用充電電池

妥善保護充電電池，避免濕氣和水分滲入。  
 充電電池必須儲存在 -20 °C 至 50 °C 的環境中。  
 夏天不可以把充電電池擱置在汽車中。  
 偶爾用柔軟、乾淨且乾燥的毛刷清潔充電電池的通氣孔。  
 充電後如果充電電池的使用時間明顯縮短，代表充電電池已經損壞，必須更換新的充電電池。  
 請您遵照廢棄物處理相關指示。

## 安裝

- ▶ 在電動工具上進行任何作業之前（例如維修，更換工具等等），請將機器中的電池取出。若是不小心觸動起停開關，可能造成人員受傷。

### 供貨範圍



對此，請您留意操作說明書開頭處的供貨範圍說明。

初次使用本電動工具之前，先檢查以下各部件是否包含在供貨範圍中：

- 已安裝鋸片的斜斷鋸
- 夾緊輪 (45)
- 可調式止動滑軌 (26)
- 活動夾鉗 (41)
- 內六角扳手 / 一字螺絲起子 (43)
- 集塵袋 (37)
- 工件托架 (24) (2 件)

**提示：** 檢查電動工具是否有壞損之處。  
 使用電動工具之前，必須仔細檢查防護裝置或輕微損壞的零件是否仍然運作正常。檢查活動零件是否功能正常、沒有被卡死，以及是否有任何零件有否受損。所有零件都必須安裝正確，並且符合規定以確保機器能夠正常運作。  
 損壞的防護裝置和零件必須按照規定交給合格的專業修理廠修理或更換。

### 安裝各部件

- 小心地從包裝中取出所有隨附零件。
- 拆除電動工具和隨附配件上的所有包裝材料。

- 為方便作業，安裝隨附的裝置元件時請注意，電動工具應位於搬運位置。

### 安裝工件托架 (請參考圖 A1)

工件托架 (24) 可定位在電動工具左方、右方或前方。彈性插拔系統可用於加裝多種加長或加寬裝置 (請參考圖 G)。

- 根據需求將工件托架 (24) 插入電動工具上的支座 (47) 或第二個工件托架的支座 (48) 內。

- ▶ **請勿從工件托架抬起電動工具。**  
 搬動電動工具時只能使用搬運裝置。

### 安裝夾緊輪 (請參考圖 A2)

夾緊輪 (45) 會固定所設定的垂直斜鋸角，是安全運行的必要元件。

- 將六角螺母從螺紋插銷 (49) 上旋下。
- 沿順時針方向將夾緊輪 (45) 旋在螺紋插銷 (49) 上，然後鎖緊。

### 安裝可調式止動滑軌 (請參考圖 A3)

可調式止動滑軌 (26) 必須在鋸切前安裝。

- 將鋸片的右側止動滑軌 (26) 推入相應凹槽內，然後鎖緊鎖定螺栓 (44)。  
 此時止動滑軌的扁平件必須往內朝向鋸片。

### 固定安裝方式或活動安裝方式

- ▶ 為了能夠穩定地操作機器，正式使用機器之前，必須把電動工具固定在平坦、穩固的工作平面上 (例如工作桌)。

### 安裝在工作平面上 (請參考圖 B1-B2)

- 使用合適的夾鉗把電動工具固定在工作平面上。必須利用安裝孔 (13) 來進行固定。

或

- 也可以使用一般市售活動夾鉗，夾住電動工具的支撐腳以便將它固定在工作平面上。

### 安裝在博世工作桌上

博世的 GTA 工作桌擁有可調整高度的桌腳，使電動工具能夠穩固站立在任何底座上。工作桌的工件托架可以支撐較長工件。

- ▶ **請詳讀工作桌附帶的所有警告指示和說明。** 若未遵循警告指示和說明可能遭受電擊、發生火災並 / 或造成嚴重傷害。
- ▶ **安裝電動工具之前必須先正確地組裝工作桌。** 重點是要正確地組裝工作桌，如此可以避免工作桌倒塌。
- 把電動工具調整至搬運位置並將其安裝在工作台上。

### 活動式架設 (不建議!) (請參考圖 B3)

如果電動工具在某些例外狀況下無法固定在平坦、穩固的工作平面上，您可以利用防傾保護設計進行架設，以做為權宜之策。

- ▶ **電動工具在沒有防傾保護設計下無法穩固站立，尤其在鋸切最大水平及 / 或垂直斜鋸角時極有可能翻傾。**
- 向內轉動或向外轉動防傾保護設計 (18)，使電動工具能夠正好站立在工作平面上。

## 吸除廢塵 / 料屑

含鉛顏料、部分木材種類、礦石和金屬的加工廢塵有害健康。機器操作者或施工現場附近的人員如果接觸、吸入這些廢塵，可能會引發過敏反應或感染呼吸道疾病。

某些塵埃（例如加工橡木或山毛櫸的廢塵）可能致癌，特別是與處理木材的添加劑（例如木材的防腐劑等）結合之後。唯有受過專業訓練的人才能夠進行含石棉物料的加工。

- 儘可能使用適合物料的吸塵裝置。
- 工作場所要保持空氣流通。
- 建議佩戴 P2 過濾等級的口罩。

請留意並遵守貴國的物料加工相關法規。

▶ **避免讓工作場所堆積過多的塵垢。** 塵埃容易被點燃。

廢塵 / 料屑吸集裝置可能被廢塵、廢屑或工件殘屑堵塞。

- 關閉電動工具並取出充電電池。
- 請您稍候，讓鋸片完全停止轉動。
- 找出造成堵塞的原因，並且排除障礙。

### 機器本身的吸塵裝備（請參考圖 C）

為了方便收集料屑，請使用隨附的集塵袋（37）。

- 將搬運握把（3）調整為垂直狀態。
- 將集塵袋（37）旋轉並插入吸塵轉接頭（50）內，使集塵袋的插銷扣入吸塵轉接頭上的凹槽內。

鋸切時，集塵袋千萬不可以接觸轉動中的機具零件。

適時倒空集塵袋中的廢塵。

- ▶ **每次操作完畢後，都要檢查並且清潔集塵袋。**
- ▶ **為了避免造成火災，鋸切鋸片時要拆除集塵袋。**

### 外接其他吸塵裝置

若要吸塵，您也可在吸塵轉接頭（50）接上吸塵器軟管（直徑 35 mm）。

- 將吸塵器軟管連接至吸塵轉接頭（50）。

根據工件材質選擇合適的吸塵器。

吸集可能危害健康、可能致癌或乾燥的廢塵時，務必使用特殊吸塵器。

## 更換鋸片（請參考圖 D1-D4）

▶ **在電動工具上進行任何作業之前（例如維修，更換工具等等），請將機器中的電池取出。** 若是不小心觸動起停開關，可能造成人員受傷。

▶ **安裝鋸片時務必穿戴防護手套。** 碰觸到鋸片可能被割傷。

所使用的鋸片其最高容許轉速必須高於電動工具的無負載轉速。

根據本說明書中提出的特性參數選擇合適的鋸片。必須選用通過 EN 847-1 認證並具有認證標示的鋸片。

只能使用本電動工具製造商所推薦的鋸片，以及加工物料適用的鋸片。唯有這樣做才能避免鋸切時發生鋸齒過熱的情形。

## 拆卸鋸片

- 把電動工具調整至工作位置。
- 將活動防護罩（10）往後翻轉，然後讓它保持在這個位置上。
- 用內六角扳手（6 mm）（43）旋轉內六角螺栓（51）並同時按壓主軸鎖（31），讓它卡緊。
- 按壓主軸鎖（31）不要放開，並沿順時針方向將內六角螺栓（51）旋出（左旋螺紋！）。
- 取下緊固法蘭（52）。
- 取出鋸片（30）。
- 重新慢慢放下活動防護罩。

## 安裝鋸片

▶ **安裝時請注意，鋸齒的鋸切方向（即鋸片上的箭頭指示方向）必須與防護罩上的箭頭指示方向一致！**

必要時，請在安裝前清潔所有待安裝的零部件。

- 將活動防護罩（10）往後翻轉，然後讓它保持在這個位置上。
- 將新鋸片裝到內側緊固法蘭（53）上。
- 裝上緊固法蘭（52）和內六角螺栓（51）。按壓主軸鎖（31），直到其卡緊，接著再沿逆時針方向旋緊內六角螺栓。
- 重新慢慢放下活動防護罩。

## 操作

▶ **在電動工具上進行任何作業之前（例如維修，更換工具等等），請將機器中的電池取出。** 若是不小心觸動起停開關，可能造成人員受傷。

### 搬運固定裝置（請參考圖 E）

搬運固定裝置（34）可讓您輕鬆將電動工具搬運至不同工作地點。

#### 解開電動工具的鎖定（工作位置）

- 從把手（7）處將機臂略微往下推，即可解開搬運固定裝置（34）。
- 將搬運固定裝置（34）拉至最外側。
- 慢慢向上提起機臂。

#### 鎖定電動工具（搬運位置）

- 止付螺絲（1）若將拉引裝置（2）卡死，請將該螺絲鬆開。向前完全拉出機臂，並重新旋緊止付螺絲以便固定拉引裝置。
- 將限深擋塊（39）向上拉。
- 旋緊鎖定旋鈕（16），即可固定鋸台（12）。
- 將把手（7）上的機臂往下拉至，搬運固定裝置（34）能夠推至最內側的程度。

此時機臂已經被鎖定，您可以搬運機器了。

## 正式運作前的準備工作

為確保精準鋸切，頻繁使用之後必須檢查電動工具的基本設定，必要時須適度調整。

檢查時不但要具備足夠的經驗，而且得使用特殊工具。

博世客戶服務中心能夠既快速又可靠地執行這項工作。

### 延長 / 加寬鋸台 (請參考圖 F-G)

如果工件又長又重，必須在它懸空的末端底下墊上襯墊或做好支撐。

鋸台可藉由鋸台延長件 (23) 往左及往右延伸。

- 鬆開止付螺栓 (22)。
- 將鋸台延長件 (23) 往外拉至所需長度。

### 移動止動滑軌 (請參考圖 H)

鋸切水平及 / 或垂直斜鋸角時，必須依照鋸切方向將左側或右側的活動式止動滑軌 (26) 往外拉或整個拆除。

垂直斜鋸角	水平斜鋸角	
0°-22.5° (右側 / 左側)	> 0°	<ul style="list-style-type: none"> <li>- 鬆開左側 / 右側鎖定螺栓 (44)。</li> <li>- 將左側 / 右側可調式止動滑軌 (26) 拉至最外側。</li> </ul>
22.5°-47° (右側 / 左側)	≤ 48° (右側 / 左側)	<ul style="list-style-type: none"> <li>- 鬆開左側 / 右側鎖定螺栓 (44)。</li> <li>- 將左側 / 右側可調式止動滑軌 (26) 拉至最外側。</li> <li>- 將活動式止動滑軌往上提起。</li> </ul>

### 固定工件 (請參考圖 I)

為了確保工作安全，請務必固定好工件。

不可以加工太小而無法固定的工件。

- 將工件往止動滑軌 (26) 和 (25) 壓緊固定。
- 將隨附的活動夾鉗 (41) 插進任一專為其設置的孔洞 (42)。
- 配合工件高度調整活動夾鉗的螺桿 (40)。
- 將螺桿 (40) 牢牢旋緊，以便固定工件。

### 調整水平斜鋸角

#### 設定水平方向的基本斜鋸角 (請參考圖 J)

鋸台上設有刻槽 (20)，讓您能夠快速而精準地調整至經常使用的水平斜鋸角：

左	右
	0°
45°; 30°; 22.5°; 15°	15°; 22.5°; 30°; 45°

- 鎖定旋鈕 (16) 若已鎖上，請將它鬆開。  
 - 拉起撥桿 (17) 然後將鋸台 (12) 往左或往右旋轉至所需刻槽。  
 - 再度放開撥桿。撥桿必須正確地陷入凹槽記號中。  
 - 將鎖定旋鈕 (16) 重新拉緊。

#### 設定偏好水平斜鋸角 (請參考圖 K)

水平斜鋸角的調整範圍介於 48° (左側) 和 48° (右側) 之間。

- 鎖定旋鈕 (16) 若已鎖上，請將它鬆開。
- 拉起撥桿 (17) 並同時按壓止動夾 (15)，直到卡入專門為其設置的凹槽內。於是鋸台便可自由移動。
- 轉動鎖定旋鈕便可讓鋸台 (12) 向左或向右移到角度指示器 (58) 指在所需水平斜鋸角上。
- 將鎖定旋鈕 (16) 重新旋緊。

- 將止付螺栓 (22) 重新旋緊，以便固定鋸台延長件。

工件托架 (24) 的彈性插拔系統可用於加裝多種加長或加寬裝置。

- 根據需求將工件托架 (24) 插入電動工具上的支座 (47) 或第二個工件托架的支座 (48) 內。

▶ 請勿從工件托架抬起電動工具。  
搬動電動工具時只能使用搬運裝置。

- 若要重新鬆開撥桿 (17) (以便設定水平方向的基本斜鋸角)，請將撥桿往上拉。此時止動夾 (15) 會彈回原來的位置，於是又可以重新將撥桿 (17) 卡入刻槽 (20) 中。

### 設定垂直斜鋸角

垂直斜鋸角的調整範圍介於 47° (左側) 和 47° (右側) 之間。

0°、22.5° 和 45° 角度上設有固定定位裝置，可快速而精準地調整至經常使用的垂直斜鋸角。

- 請確認，是否已安裝夾緊輪 (45) (參見「安裝夾緊輪 (請參考圖 A2)」，頁 97)。

#### 設定垂直方向的基本斜鋸角 (請參考圖 L)

- 將可調式止動滑軌 (26) 拉至最外側或整個拆除。
- 鬆開夾緊輪 (45)。
- 將鎖止扳片 (46) 往外拉，並扣入空轉位置，即可使用整個斜鋸角範圍 (左側和右側)。
- 從把手 (7) 處將機臂往左或往右翻轉，直到角度指示器 (28) 顯示所需的垂直基本斜鋸角。
- 旋轉鎖止扳片 (46)。必須感覺鎖止扳片扣入所需垂直基本斜鋸角的位置。
- 再度鎖緊夾緊輪 (45)。

#### 設定偏好垂直斜鋸角

- 將可調式止動滑軌 (26) 拉至最外側或整個拆除。
- 鬆開夾緊輪 (45)。
- 將鎖止扳片 (46) 往外拉，並扣入空轉位置，即可使用整個斜鋸角範圍 (左側和右側)。
- 從把手 (7) 處將機臂往左或往右翻轉，直到角度指示器 (28) 指在所需垂直斜鋸角上。
- 再度鎖緊夾緊輪 (45)。

## 操作機器

- ▶ 鋸切之前務必旋緊鎖定旋鈕 (16) 和夾緊輪 (45)。否則鋸片可能在工件中傾斜。

### 啟動 (請參考圖 M)

- 若要開啟電動工具，請先將作動安全鎖 (5) 推到中間，接著再按壓起停開關 (6) 不要放開。

**提示：**基於安全考量，無法鎖定起停開關 (6) 的位置，所以操作機器時必須持續按住此開關。

### 關閉

- 若要關閉，鬆開起停開關 (6) 即可。

## 鋸切

### 一般性的鋸切指示

- ▶ 鋸切之前務必旋緊鎖定旋鈕 (16) 和夾緊輪 (45)。否則鋸片可能在工件中傾斜。
- ▶ 進行任何鋸切之前，必須先確定鋸片不會接觸止動滑軌、活動夾鉗或其它的機件。必要時得拆除輔助擋塊，或者適度調整輔助擋塊。

保護鋸片，以免受遭衝擊和碰撞。不可以側壓鋸片。

只能鋸切符合規定的材料。

不可以加工已被拉扯移位的工件。工件必須有一道筆直的邊，這樣才能夠貼靠在止動滑軌上。

如果工件又長又重，必須在它懸空的末端底下墊上襯墊或做好支撐。

檢查活動防護罩的功能是否正常，移動防護罩時會不會發生磨擦。將機臂往下移時，活動防護罩必須開啟。將機臂往上移時，活動防護罩必須閉合，蓋在鋸片上，並固定在機臂的最上方位置。

### 操作者的位置 (請參考圖 N)

- ▶ 不可以站在電動工具前而與鋸片呈一直線，所站位置應要保持在鋸片的側面。這樣可以保護身體避免受到反彈力道衝擊。
- 手掌、手指和手臂必須遠離轉動中的鋸片。
- 雙手不得橫放在機臂前方。

### 需拉動的鋸切

- 針對需要藉助拉引裝置 (2) 的鋸切作業 (寬工件)，止付螺栓 (1) 若已鎖上，請將它鬆開。
- 依照需求，調整至所需的水平及 / 或垂直斜鋸角。
- 將工件緊壓固定在止動滑軌 (25) 和 (26)。
- 根據尺寸固定好工件。
- 將機臂拉離止動滑軌 (25)，直到鋸片位於工件前方。
- 啟動電動工具。
- 利用把手 (7) 緩慢地將機臂往下拉。
- 現在把機臂推向止動滑軌 (25) 和 (26)，並施力均勻地鋸切工件。
- 關閉電動工具並等待鋸片完全停止轉動。
- 將機臂慢慢往上提起。

### 無需拉動的鋸切 (砍鋸) (請參考圖 O)

- 進行無需拉動的鋸切 (小型工件) 時，止付螺栓 (1) 若已鎖上，請將它鬆開。將機臂往止動滑軌 (25) 方向推到底，然後再將止付螺栓 (1) 重新鎖緊。
- 依照需求，調整至所需的水平及 / 或垂直斜鋸角。
- 將工件緊壓固定在止動滑軌 (25) 和 (26)。
- 根據尺寸固定好工件。
- 啟動電動工具。
- 利用把手 (7) 緩慢地將機臂往下拉。
- 鋸切工件時必須施力均勻。
- 關閉電動工具並等待鋸片完全停止轉動。
- 將機臂慢慢往上提起。

## 作業注意事項

### 標示鋸線 (請參考圖 P)

兩道雷射光束為您顯示鋸片的鋸線。這樣您可以準確地放置好待鋸切的工件，無需打開活動防護罩。

- 此外請開啟雷射光束，其做法是：不必按壓作動安全鎖 (5)，直接點觸一下起停開關 (6)。
- 工件上的記號要畫在兩道雷射線之間。

**提示：**鋸切之前請檢查，鋸線是否仍正確顯示 (參見「校正雷射」，頁 101)。因為在頻繁使用機器之後，雷射光束時可能會因震動而偏移。

### 容許的工件尺寸

#### 最大工件：

水平斜鋸角	垂直斜鋸角	高度 x 寬度 [mm]
0°	0°	70 x 305
45° (左 / 右)	0°	70 x 215
45° (左)	45° (左)	42 x 215
45° (右)	45° (右)	20 x 215
0°	45° (左)	42 x 305
0°	45° (右)	20 x 305

**最小工件** (= 所有可用隨附之夾鉗 (41) 夾在鋸片左側或右側的工件)：100 x 40 mm (長 x 寬)

**最大鋸切深度** (0° / 0°)：70 mm

### 調整限深擋塊 (鋸切凹槽) (請參考圖 Q)

- 鋸切凹槽時必須調整限深擋塊。
- 將限深擋塊 (39) 往前翻轉。
- 從把手 (7) 處將機臂翻轉至所需位置。
- 扭轉校正螺栓 (38)，讓螺栓末端碰觸到限深擋塊 (39)。
- 將機臂慢慢往上提起。

### 鋸切等長的工件 (請參考圖 R)

為方便鋸切等長的工件，可使用左側或右側平行擋塊 (36)。

- 將平行擋塊 (36) 往上轉。
- 將鋸台延長件 (23) 調整至所需的工件長度。

### 特殊工件

鋸切彎曲或圓形工件時必須特別小心，千萬要固定好工件，不可以讓工件滑動。在鋸線上，工件、止動滑軌與鋸台三者必須緊靠在一起，之間不可以存在任何空隙。

如有必要，必須製作特殊固定裝置。

### 汰換嵌補板（請參考圖 S）

電動工具經長時間使用後，嵌補板 (14) 可能磨損。更換損壞的嵌補板。

- 把電動工具調整至工作位置。
- 請用市售的十字螺絲起子 (54) 將螺栓旋出，然後取下舊嵌補板 (14)。
- 鋪上新的嵌補板並重新鎖緊螺栓 (54)。

### 校正雷射

**提示：**若要測試雷射功能，電動工具必須連接電源。

▶ **校正雷射時（例如移動機臂時）千萬不可按壓起停開關。**不小心啟動電動工具可能造成人員受傷。

- 把電動工具調整至工作位置。
- 將鋸台 (12) 轉至 0° 刻槽 (20)。必須可感覺到撥桿 (17) 卡入刻槽。

為確保精準鋸切，在頻繁使用之後必須檢查雷射光束，必要時得做適度調整。

檢查時不但要具備足夠的經驗，而且得使用特殊工具。博世客戶服務中心能夠既快速又可靠地執行這項工作。

### 檢查（請參考圖 T1）

- 在工件上畫一條筆直鋸線。
- 利用把手 (7) 緩慢地將機臂往下拉。
- 調整工件，讓鋸片上的鋸齒靠在鋸線上。
- 讓工件保持在這個位置並握牢它，再度慢慢向上提起機臂。
- 請確實夾緊工件。
- 請利用開關 (6) 啟動雷射光束，無須按壓作動安全鎖 (5)。

即使在放下滑動臂時，投射在標示在工件上裁切線左右兩側的雷射光束也必須等距且平行。

### 拆卸雷射保護蓋（請參考圖 T2）

- 使用內六角扳手 / 一字螺絲起子 (43) 鬆開雷射保護蓋 (8) 的兩個螺栓 (55)，然後拆除雷射保護蓋。

### 調整移動機臂時產生的側向偏移（請參考圖 T3-T4）

- 鬆開固定螺栓 (56)（約 1 - 2 圈）。不要完全旋出該螺栓。
- 向右或向左移動雷射外殼 (57)，直至機臂向下移動時雷射光束不再有側向偏移。
- 讓雷射外殼 (57) 維持在此位置上，然後重新鎖緊固定螺栓 (56)。
- 將雷射保護蓋 (8) 重新固定。

### 檢查和調整基本設定

為確保精準鋸切，頻繁使用之後必須檢查電動工具的基本設定，必要時須適度調整。

檢查時不但要具備足夠的經驗，而且得使用特殊工具。

博世客戶服務中心能夠既快速又可靠地執行這項工作。

### 校正角度指示器（水平）（請參考圖 U）

- 把電動工具調整至工作位置。
- 將鋸台 (12) 轉至 0° 刻槽 (20)。必須可感覺到撥桿 (17) 卡入刻槽。

### 檢查

角度指示器 (58) 必須與刻度尺 (21) 的 0° 記號呈一直線。

### 調整

- 請用十字螺絲起子鬆開螺栓 (59)，然後將角度指示器對準 0° 記號。
- 將螺栓重新旋緊。

### 校正角度指示器（垂直）（請參考圖 V）

- 把電動工具調整至工作位置。
- 鬆開夾緊輪 (45)。
- 將鎖止扳片 (46) 往外拉，並利用機臂將垂直斜鋸角調整為 0°。
- 鬆開鎖止扳片 (46)。必須感覺鎖止扳片扣入就位
- 再度鎖緊夾緊輪 (45)。

### 檢查

角度指示器 (28) 必須與刻度尺 (27) 的 0° 記號呈一直線。

### 調整

- 請用十字螺絲起子鬆開螺栓 (60)，然後將角度指示器對準 0° 記號。
- 將螺栓重新旋緊。

### 搬運電動工具（請參考圖 W）

▶ **在電動工具上進行任何作業之前（例如維修，更換工具等等），請將機器中的電池取出。**若是不小心觸動起停開關，可能造成人員受傷。

搬運電動工具之前必須先執行以下步驟：

- 止付螺栓 (1) 若已鎖上，請將它鬆開。向前完全拉出機臂並重新旋緊止付螺栓。
- 請確認，限深擋塊 (39) 已翻轉至最後方，且移動機臂時校正螺栓 (38) 不會碰觸到任何物件。
- 把電動工具調整至搬運位置。
- 拆除所有無法被固定在電動工具上的配件。搬運時必須儘可能把不使用的鋸片放置在密閉盒子中。
- 將搬運握把 (3) 調整為垂直狀態。
- 從搬運把手 (3) 處提起電動工具或者請您抓握鋸台側邊的把手凹槽 (61)。
- ▶ **搬動電動工具時只能使用搬運裝置，切勿使用防護裝置或工件托架進行搬運。**

## 維修和服務

### 保養與清潔

- ▶ 在電動工具上進行任何作業之前（例如維修，更換工具等等），請將機器中的電池取出。若是不小心觸動起停開關，可能造成人員受傷。
- ▶ 電動工具和通風口都必須保持清潔，這樣才能夠提高工作品質和安全性。

活動防護罩必須能夠自由來回擺動，並且要能夠自動關閉，所以防護罩的四周必須隨時保持清潔。

每次工作結束後都要使用壓縮空氣或軟刷清除機器上的灰塵和鋸屑。

定期清潔滑輪 (11)。

### 降低噪音的措施

製造商提供的方法：

- 緩速起動
- 提供特別為了降低噪音而研發的鋸片

操作者自己能做的措施：

- 將機器安裝在穩固的工作面上，可以降低震動
- 使用具備降低噪音功效的鋸片
- 定期清潔鋸片和電動工具

### 顧客服務處和顧客諮詢中心

本公司顧客服務處負責回答有關本公司產品的維修、維護和備用零件的問題。以下的網頁中有分解圖和備用零件相關資料：[www.bosch-pt.com](http://www.bosch-pt.com)  
如果對本公司產品及其配件有任何疑问，博世應用諮詢小組很樂意為您提供協助。

當您需要諮詢或訂購備用零件時，請務必提供本產品型號銘牌上 10 位數的產品機號。

#### 台灣進口商

台灣羅伯特博世股份有限公司  
建國北路一段90 號6 樓  
台北市10491  
電話: (02) 7734 2588  
傳真: (02) 2516 1176  
[www.bosch-pt.com.tw](http://www.bosch-pt.com.tw)

#### 製造商地址:

Robert Bosch Power Tools GmbH  
羅伯特·博世電動工具有限公司  
70538 Stuttgart / GERMANY  
70538 斯圖加特/ 德國

#### 以下更多客戶服務處地址:

[www.bosch-pt.com/serviceaddresses](http://www.bosch-pt.com/serviceaddresses)

### 搬運

建議使用的鋰離子充電電池受危險物品法的規範。使用者無須另外使用保護包裝便可運送該充電電池。

但是如果將它交由第三者運送（例如：寄空運或委託運輸公司），則應遵照包裝與標示的相關要求。此時必須向危險物品專家請教有關寄送危險物品的相關事宜。

確定充電電池的外殼未受損後，才可以寄送充電電池。用膠帶貼住裸露的接點並妥善包裝充電電池，不可以讓充電電池在包裝材料中晃動。同時也應留意各國相關法規。

### 廢棄物處理



必須以符合環保的方式，將損壞的電動工具、充電電池、配件和包裝材料進行回收再利用。



不可以把電動工具和充電電池 / 拋棄式電池丟入一般家庭垃圾中！

### 充電電池 / 拋棄式電池:

#### 鋰離子:

請注意「搬運」段落中的指示（參見「搬運」，頁 102）。

## ไทย

### คำเตือนเพื่อความปลอดภัย

#### คำเตือนเพื่อความปลอดภัยทั่วไปในการใช้เครื่องมือไฟฟ้า

#### ⚠ คำเตือน อ่านคำเตือนเพื่อความปลอดภัย คำแนะนำ ภาพประกอบ และข้อมูล

จำเพาะทั้งหมดที่จัดส่งมาพร้อมกับเครื่องมือไฟฟ้า การไม่ปฏิบัติตามคำแนะนำทั้งหมดที่ระบุไว้ด้านล่างนี้อาจทำให้ถูกไฟฟ้าดูด เกิดไฟไหม และ/หรือได้รับบาดเจ็บอย่างร้ายแรง

#### เก็บรักษาคำเตือนและคำสั่งทั้งหมดสำหรับเปิดอ่านในภายหลัง

คำว่า "เครื่องมือไฟฟ้า" ในคำเตือนหมายถึง เครื่องมือไฟฟ้าของทานที่ทำงานด้วยพลังงานไฟฟ้าจากแหล่งจ่ายไฟหลัก (มีสายไฟฟ้า) และเครื่องมือไฟฟ้าที่ทำงานด้วยพลังงานไฟฟ้าจากแบตเตอรี่ (ไร้สาย)

#### ความปลอดภัยในสถานที่ทำงาน

- ▶ รักษาสถานที่ทำงานให้สะอาดและมีไฟส่องสว่างดี สถานที่ที่มีมืดหรือรกรุงรังนำมาซึ่งอุบัติเหตุ
- ▶ อย่าใช้เครื่องมือไฟฟ้าทำงานในสภาพบรรยากาศที่จุดติดไฟได้ เช่น ในที่มีของเหลวไวไฟ ก๊าซ หรือฝุ่น เมื่อใช้เครื่องมือไฟฟ้าจะเกิดประกายไฟซึ่งอาจจุดฝุ่นหรือไอให้ลุกเป็นไฟได้
- ▶ ขณะใช้เครื่องมือไฟฟ้าทำงาน ต้องกันเด็กและผู้ยืนดูให้ออกห่าง การหันเหความสนใจอาจทำให้ท่านขาดการควบคุมเครื่อง

### ความปลอดภัยเกี่ยวกับไฟฟ้า

- ▶ ปลั๊กของเครื่องมือไฟฟ้าต้องเหมาะสมพอดีกับเต้าเสียบ อย่าดัดแปลงปลั๊กไม่ว่าในลักษณะใดๆ อย่างเด็ดขาด อย่าใช้ปลั๊กพ่วงต่อใดๆ กับเครื่องมือไฟฟ้าที่มีสายดิน ปลั๊กที่ไม่ดัดแปลงและเต้าเสียบที่เข้ากันช่วยลดความเสี่ยงจากการถูกไฟฟ้าดูด
- ▶ หลีกเลี่ยงอย่าให้ร่างกายสัมผัสกับพื้นผิวที่ต่อสายดินหรือลวดกราวด์ไว้ เช่น ท่อ เครื่องทำความร้อน เต้า และตู้เย็น จะเสี่ยงอันตรายจากการถูกไฟฟ้าดูดมาก ขึ้นหากกระแสไฟฟ้าวิ่งผ่านร่างกายของท่านลงดิน
- ▶ อย่าให้เครื่องมือไฟฟ้าถูกฝนหรืออยู่ในสภาพเปียกชื้น หากนำเข้าไปในเครื่องมือไฟฟ้า จะเพิ่มความเสี่ยงจากการถูกไฟฟ้าดูด
- ▶ อย่าใช้สายไฟฟ้าในทางที่ผิด อย่าใช้สายไฟฟ้าเพื่อยก ดึง หรือถอดปลั๊กเครื่องมือไฟฟ้า กันสายไฟฟ้าออกจากความร้อน น้ำมัน ขอบแหลมคม หรือชิ้นส่วนที่เคลื่อนที่ สายไฟฟ้าที่ชำรุดหรือพันกันยังเพิ่มความเสี่ยงจากการถูกไฟฟ้าดูด
- ▶ เมื่อใช้เครื่องมือไฟฟ้าทำงานกลางแจ้ง ให้ใช้สายไฟต่อที่เหมาะสมสำหรับการใช้งานกลางแจ้ง การใช้สายไฟต่อที่เหมาะสมสำหรับงานกลางแจ้ง ช่วยลดอันตรายจากการถูกไฟฟ้าดูด
- ▶ หากไม่สามารถหลีกเลี่ยงการใช้เครื่องมือไฟฟ้าทำงานในสถานที่เปียกชื้นได้ ให้ใช้สวิตช์ตัดวงจรเมื่อเกิดการรั่วไหลของไฟฟ้าจากสายดิน (RCD) การใช้สวิตช์ตัดวงจรเมื่อเกิดการรั่วไหลของไฟฟ้าจากสายดินช่วยลดความเสี่ยงต่อการถูกไฟฟ้าดูด

### ความปลอดภัยของบุคคล

- ▶ ท่านต้องอยู่ในสภาพเตรียมพร้อม ระมัดระวังในสิ่งที่ท่านกำลังทำอยู่ และมีสติขณะใช้เครื่องมือไฟฟ้าทำงาน อย่าใช้เครื่องมือไฟฟ้าขณะที่ท่านกำลังเหนื่อย หรืออยู่ภายใต้การครอบงำของฤทธิ์ของยาเสพติด แอลกอฮอล์ และยา เมื่อใช้เครื่องมือไฟฟ้าทำงาน ในชั้นเวลาที่ท่านขาดความเอาใจใส่อาจทำให้บุคคลบาดเจ็บอย่างรุนแรงได้
- ▶ ใช้อุปกรณ์ปกป้องร่างกาย สวมแว่นตาป้องกันเสมอ อุปกรณ์ปกป้อง เช่น หน้ากากกันฝุ่น รองเทากันลื่น หมวกแข็ง หรือประคบทุกอันเสี่ยงตึงที่ใช้ตามความเหมาะสมกับสภาพการทำงาน จะลดการบาดเจ็บทางร่างกาย
- ▶ ป้องกันการติดเครื่องโดยไม่ตั้งใจ ตรวจสอบให้แน่ใจว่าสวิตช์อยู่ในตำแหน่งปิดก่อนเชื่อมต่อนำเข้ากับแหล่งจ่ายไฟ และ/หรือแบตเตอรี่แพ็ค ยกหรือถือเครื่องมือถือเครื่องโดยใช้วิธีที่สวิตช์ หรือเสียบปลั๊กไฟขณะสวิตช์เปิดอยู่ อาจนำไปสู่อันตรายที่ร้ายแรงได้
- ▶ นำเครื่องมือปรับแต่งหรือประแจปากตายออกก่อนเปิดสวิตช์เครื่องมือไฟฟ้า เครื่องมือหรือประแจปากตายที่วางอยู่กับส่วนของเครื่องที่กำลังหมุนจะทำให้บุคคลบาดเจ็บได้
- ▶ อย่าเอื้อมไกลเกินไป ตั้งทำขึ้นที่มั่นคงและวางน้ำหนักให้สมดุลตลอดเวลา ในลักษณะนี้ท่านสามารถควบคุมเครื่องมือไฟฟ้าในสถานการณ์ที่ไม่คาดคิดได้ดีกว่า

- ▶ แต่งกายอย่างเหมาะสม อย่าใส่เสื้อผ้าหลวมหรือสวมเครื่องประดับ เหน็บและเสื้อผ้าออกจากชิ้นส่วนที่เคลื่อนที่ เสื้อผ้าหลวม เครื่องประดับ และผมยาวอาจเข้าไปติดในชิ้นส่วนที่เคลื่อนที่
- ▶ หากเครื่องมือไฟฟ้ามีข้อเชื่อมต่อกับเครื่องดูดฝุ่นหรือเครื่องเก็บผง ให้ตรวจสอบให้แน่ใจว่าได้เชื่อมต่อนและใช้งานอย่างถูกต้อง การใช้อุปกรณ์ดูดฝุ่นช่วยลดอันตรายที่เกิดจากฝุ่นได้
- ▶ เมื่อใช้งานเครื่องมือบ่อยครั้งจะเกิดความคุ้นเคย อย่าให้ความคุ้นเคยทำให้ท่านเกิดความชะล่าใจและละเลยกฎเกณฑ์ตามความปลอดภัยในการใช้งานเครื่อง การทำงานอย่างไม่ระมัดระวังอาจทำให้เกิดการบาดเจ็บอย่างร้ายแรงภายในเสี้ยววินาที

### การใช้และการดูแลรักษาเครื่องมือไฟฟ้า

- ▶ อย่างพินกำลังเครื่องมือไฟฟ้า ใช้เครื่องมือไฟฟ้าที่ถูกต้องตรงตามลักษณะงานของท่าน เครื่องมือไฟฟ้าที่ถูกต้องจะทำงานได้ดีกว่าและปลอดภัยกว่าในระดับสมรรถภาพที่ออกแบบไว้
- ▶ อย่าใช้เครื่องมือไฟฟ้าถ้าสวิตช์ไม่สามารถเปิดปิดได้ เครื่องมือไฟฟ้าที่ไม่สามารถควบคุมการเปิดปิดด้วยสวิตช์ได้ เป็นเครื่องมือไฟฟ้าที่ไม่ปลอดภัยและต้องส่งซ่อมแซม
- ▶ ก่อนปรับแต่งเครื่อง เปลี่ยนอุปกรณ์ประกอบ หรือเก็บเครื่องเข้าที่ ต้องถอดปลั๊กออกจากแหล่งจ่ายไฟ และ/หรือถอดแบตเตอรี่แพ็คออกจากเครื่องมือไฟฟ้าหากถอดออกได้ มาตรการป้องกันเพื่อความปลอดภัยนี้ช่วยลดความเสี่ยงจากการติดเครื่องโดยไม่ตั้งใจ
- ▶ เมื่อเลิกใช้งานเครื่องมือไฟฟ้า ให้เก็บเครื่องมือไว้ในที่ที่เด็กหยิบไม่ถึง และไม่อนุญาตให้บุคคลที่ไม่คุ้นเคยกับเครื่องมือหรือบุคคลที่ไม่ได้อ่านคำแนะนำนำเหล่านี้ใช้เครื่องมือไฟฟ้าเป็นของอันตรายหากตกอยู่ในมือของผู้ใช้ที่ไม่ได้รับการฝึกฝน
- ▶ บำรุงรักษาเครื่องมือไฟฟ้าและอุปกรณ์ประกอบ ตรวจสอบชิ้นส่วนที่เคลื่อนที่ต่างๆ ไม่ตรงแนวหรือติดขัดหรือไม่ ตรวจหาการแตกหักของชิ้นส่วนและสภาพอื่นใดที่อาจมีผลต่อการทำงานของเครื่องมือไฟฟ้า หากชำรุดต้องส่งเครื่องมือไฟฟ้าไปซ่อมแซมก่อนใช้งาน อุบัติเหตุหลายอย่างเกิดขึ้นเนื่องจากดูแลรักษาเครื่องมือไม่ดีพอ
- ▶ รักษาเครื่องมือตัดได้คมและสะอาด หากบำรุงรักษาเครื่องมือที่มีขอบตัดแหลมคมอย่างถูกต้อง จะสามารถตัดได้ลื่นไม่ติดขัดและควบคุมได้ง่ายกว่า
- ▶ ใช้เครื่องมือไฟฟ้า อุปกรณ์ประกอบ เครื่องมือ และอุปกรณ์อื่นๆ ตรงตามคำแนะนำเหล่านี้ โดยคำนึงถึงเงื่อนไขการทำงานและงานที่จะทำ การใช้เครื่องมือไฟฟ้าทำงานที่ต่างไปจากวัตถุประสงค์ประสงค์การใช้งานของเครื่อง อาจนำไปสู่สถานการณ์ที่เป็นอันตรายได้
- ▶ ดูแลน้ำมันและพื้นผิวจับให้แห้ง สะอาด และปราศจากคราบน้ำมันและจาระบี ตามจับและพื้นผิวจับที่ลื่นทำให้หยิบจับได้ไม่ปลอดภัย และไม่สามารถควบคุมเครื่องมือในสถานการณ์ที่ไม่คาดคิด

### การใช้และการดูแลรักษาเครื่องมือใช้แบตเตอรี่

- ▶ ชาร์จไฟใหม่ด้วยเครื่องชาร์จที่บริษัทผู้ผลิตระบุไว้เท่านั้น เครื่องชาร์จที่เหมาะสมสำหรับชาร์จแบตเตอรี่ประเภทหนึ่ง

ง หากนำไปชาร์จแบตเตอรี่แพ็คเกจอื่น อาจเกิดไฟไหม้ได้

- ▶ ใช้เครื่องมือไฟฟ้าเฉพาะกับแบตเตอรี่แพ็คเกจที่กำหนดไว้เท่านั้น การชาร์จแบตเตอรี่แพ็คเกจอื่นเสี่ยงต่อการเกิดไฟไหม้หรือบาดเจ็บ
- ▶ เมื่อไม่ใช้งานแบตเตอรี่แพ็คเกจ ให้เก็บไว้ห่างวัตถุที่เป็นโลหะอื่น ๆ เช่น คลิปหนีบกระดาษ เหวี่ยง กุญแจ ตะปู สกรู หรือวัตถุที่เป็นโลหะขนาดเล็กอื่นๆ ที่สามารถเชื่อมต่อขั้วหนึ่งไปยังอีกขั้วหนึ่งได้ การลัดวงจรของขั้วแบตเตอรี่อาจทำให้เกิดการไหม้หรือฟลลุดได้
- ▶ หากใช้แบตเตอรี่อย่างอาจมีของเหลวไหลออกมาจากแบตเตอรี่ใด โทลิกเสี่ยงการสัมผัส หากสัมผัสโดยบังเอิญให้ใช้น้ำล้าง หากของเหลวเข้าตา ให้ขอความช่วยเหลือจากแพทย์ควยของเหลวที่ไหลออกมาจากแบตเตอรี่อาจทำให้เกิดอาการคันหรือแสบผิวหนึ่งใด
- ▶ อย่าใช้แบตเตอรี่แพ็คเกจหรือเครื่องมือที่ชำรุดหรือดัดแปลง แบตเตอรี่ที่ชำรุดหรือดัดแปลงอาจแสดงอาการที่ไม่สามารถคาดเดาได้ ส่งผลให้เกิดไฟไหม้ ระเบิด หรือความเสี่ยงต่อการได้รับบาดเจ็บ
- ▶ อย่าให้แบตเตอรี่แพ็คเกจหรือเครื่องมือสัมผัสไฟหรืออุณหภูมิที่สูงเกินไป หากสัมผัสไฟหรืออุณหภูมิที่สูงกว่า 130 °C อาจทำให้เกิดการระเบิดได้
- ▶ ปฏิบัติตามคำแนะนำเกี่ยวกับการชาร์จทั้งหมด และต้องไม่ชาร์จแบตเตอรี่แพ็คเกจหรือเครื่องมือออกช่วงอุณหภูมิที่กำหนดในคำแนะนำ การชาร์จแบตเตอรี่อย่างไม่ถูกวิธีหรือออกช่วงอุณหภูมิที่กำหนด อาจทำให้แบตเตอรี่เสียหายและเพิ่มความเสี่ยงต่อการเกิดไฟไหม้

#### การบริการ

- ▶ ส่งเครื่องมือไฟฟ้าของท่านเข้ารับบริการจากช่างซ่อมที่มีคุณสมบัติเหมาะสม โดยใส่ชื่อที่เหมือนกันเท่านั้น ในลักษณะที่ท่านจะแน่ใจได้ว่าเครื่องมือไฟฟ้าอยู่ในสภาพที่ปลอดภัย
- ▶ อย่าบำรุงรักษาแบตเตอรี่แพ็คเกจที่ชำรุดอย่างเด็ดขาด ต้องส่งใหม่บริษัทผู้ผลิตหรือศูนย์บริการที่ได้ รับอนุญาตทำการบำรุงรักษาแบตเตอรี่แพ็คเกจเท่านั้น

#### คำเตือนเพื่อความปลอดภัยสำหรับเลื่อยตัดวงศา

- ▶ เลื่อยตัดวงศาใช้สำหรับตัดไม้หรือผลิตภัณฑ์คล้ายไม้ เครื่องนี้ไม่สามารถใช้กับลวดขัดเพื่อตัดออกสำหรับตัดวัสดุประเภทเหล็ก เช่น แท่งเหล็ก ก้านเหล็ก สลักเกลียว และอื่นๆ ผู้ที่มีสารขัดถูทำให้ชิ้นส่วนที่เคลื่อนไหวได้ เช่น กระบ้งป้องกันลวง เกิดติดขัดประกายไฟจากการตัดที่มีสารขัดถูจะเผาไหม้ประกบป้องกันลวง เพลดแทรก และชิ้นส่วนพลาสติกอื่นๆ
- ▶ หากเป็นไปได้ให้ใช้แคลมป์หนีบชิ้นงานไว้ ในกรณีที่ไม่มีอจับชิ้นงาน ท่านต้องเอามือของท่านออกจากใบเลื่อยด้านใดด้านหนึ่งอย่างน้อย 100 มม. อย่าใช้เครื่องมือนี้ตัดชิ้นงานที่มีขนาดเล็กเกินไปที่ไม่สามารถหนีบด้วยแคลมป์หรือจับด้วยมือได้อย่างแน่นอน หากมือของท่านอยู่ใกล้ใบ

เลื่อยเกินไป จะเพิ่มความเสี่ยงต่อการได้รับบาดเจ็บจากการสัมผัสใบเลื่อย

- ▶ ชิ้นงานต้องอยู่กับที่ และถูกยึดหนีบหรือจับทาบกับแผ่นกันและโต๊ะ อย่าป้อนชิ้นงานเข้าไปใบเลื่อยหรือตัดด้วย “มือเปล่า” อย่างเด็ดขาด ชิ้นงานที่หลุดหลวมหรือเคลื่อนไหวยได้จะถูกเหวี่ยงออกมาด้วยความเร็วสูงและทำให้ได้รับบาดเจ็บได้
- ▶ ดันเครื่องเลื่อยผ่านชิ้นงาน อย่าดึงเครื่องเลื่อยผ่านชิ้นงานสำหรับการตัด โยงหัวเครื่องเลื่อยขึ้น และดึงให้หยุดเหนือชิ้นงานโดยไม่ทำการตัด จากนั้นจึงเปิดสวิตช์ขมอเครื่องกดหัวเครื่องเลื่อยลง และดันเครื่องเลื่อยผ่านชิ้นงาน การตัดในจังหวะดึงมีแนวโน้มที่จะทำให้ใบเลื่อยป็นชิ้นไปตามบนชิ้นงาน และเหวี่ยงชุดใบเลื่อยเข้าหาผู้ใช้งานเครื่องอย่างรุนแรง
- ▶ อย่าไขว่มีมือของท่านเหนือเส้นที่ตัดการตัด ทั้งตรงด้านหน้าและด้านหลังของใบเลื่อย การจับชิ้นงานด้วย “การไขว่มีมือ” คือ จับชิ้นงานที่อยู่ด้านขวาของใบเลื่อยด้วยมือซ้าย หรือในทางกลับกัน เป็นการกระทำที่อันตรายอย่างยิ่ง
- ▶ ขณะใบเลื่อยกำลังหมุน อย่าเอามือข้างใดข้างหนึ่งเอื้อมไปด้านหลังแผ่นกันภายในระยะ 100 มม. จากด้านใดด้านหนึ่งของใบเลื่อยเพื่อหยิบเศษไม้หรือเพื่อทดสอบอื่นใดก็ตาม ท่านอาจสังเกตเห็นระยะประชิดของใบเลื่อยที่กำลังหมุนกับมือของท่านได้ไม่ชัดเจน และท่านอาจได้รับบาดเจ็บสาหัสได้
- ▶ ตรวจสอบชิ้นงานของท่านก่อนทำการตัด หากชิ้นงานบิดหรือโค้งงอ ให้ยึดชิ้นงานโดยจับส่วนที่โค้งงอออกด้านนอกหันเข้าหาแผ่นกัน ตรวจสอบให้แน่ใจเสมอว่าตามแนวเส้นตัดไม่มีช่องว่างระหว่างชิ้นงาน แผ่นกัน และโต๊ะ ชิ้นงานที่แอนหรือโค้งงออาจบิดหรือเคลื่อนที่ไต่ และอาจส่งผลให้ตัดขัดอยู่ในใบเลื่อยที่กำลังหมุนในขณะตัด ต้องไม่มีตะปูหรือวัตถุแปลกปลอมในชิ้นงาน
- ▶ อย่าใช้เครื่องเลื่อยจนกว่าจะนำเครื่องมือทั้งหมด เศษไม้และอื่นๆ ออกจากโต๊ะแล้ว เหลือโมเมนต์เฉพาะชิ้นงานเท่านั้น ชิ้นเศษขนาดเล็กหรือชิ้นไม้ที่หลุดหลวมหรือวัตถุอื่นไต่ที่ไปสัมผัสกับใบเลื่อยที่หมุนอยู่ อาจติดตัวออกมาด้วยความเร็วสูง
- ▶ ดัดเพียงหนึ่งชิ้นงานในแต่ละครั้ง ชิ้นงานที่ซ้อนกันหลายๆ ชิ้นจะไม่สามารถยึดหรือค้ำยันได้อย่างแน่นอน และอาจติดขัดบนใบเลื่อยหรือเคลื่อนที่ขณะตัด
- ▶ ก่อนใช้งาน ต้องตรวจสอบให้แน่ใจว่าได้ติดตั้งหรือวางเลื่อยตัดวงศาไว้บนพื้นผิวทำงานที่มั่นคงและราบเสมอกัน พื้นผิวทำงานที่มั่นคงและราบเสมอกันช่วยลดความเสี่ยงจากการสั่นคลอนของเลื่อยตัดวงศา
- ▶ วางแผนการทำงานของท่าน ทุกครั้งที่ท่านเปลี่ยนการตั้งมุมเอียงหรือมุมมาก ต้องตรวจสอบให้แน่ใจว่าได้ปรับตั้งแผ่นกันแบบปรับได้เพื่อหนีบชิ้นงานอย่างถูกต้องแล้ว และจะไม่กีดขวางใบเลื่อยหรือระบบป้องกัน เมื่อไม่เปิดสวิตช์เครื่อง “ON” และไม่มีชิ้นงานวางบนโต๊ะ ให้จำลองการตัดโดยเคลื่อนใบเลื่อยไปจนสุด ทั้งนี้เพื่อให้นับใจว่าจะไม่มีสิ่งกีดขวางหรืออันตรายจากการตัดถูกแผ่นกัน
- ▶ สำหรับชิ้นงานที่มีขนาดกว้างกว่าหรือยาวกว่าพื้นผิวด้านบนของโต๊ะ ต้องจัดให้มีการหนุนค้ำอย่างเพียงพอ เช่น โดยใช้ส่วนขยายโต๊ะ มารองเลื่อย และอื่นๆ ชิ้นงานที่มีขนาดกว้างกว่าหรือยาวกว่าโต๊ะเลื่อยตัดวงศาอาจพลิกคว่ำหาก



ไม่ได้รับการหมุนค้ำอย่างมั่นคง หากชิ้นส่วนที่ตัดออกหรือชิ้นงานพลิกคว่ำ ชิ้นงานอาจยกกระบังป้องกันกลางชิ้นหรือถูกใบเลื่อยที่กำลังหมุนเหวี่ยงออก

- ▶ **อย่าใช้บุคคลอื่นทำหน้าที่แทนส่วนขยายโต๊ะหรือเป็นตัวค้ำเพิ่มเติม** การหมุนชิ้นงานอย่างไม่มั่นคงอาจทำให้ใบเลื่อยติดขัด หรือใบเลื่อยเคลื่อนที่ขณะตัด ซึ่งจะฉุดรั้งตัวท่านและผู้ชายเขาไปในใบเลื่อยที่กำลังหมุนได้
- ▶ **ชิ้นส่วนที่ตัดออกจะต้องไม่เข้าไปติดขัดหรือถูกค้ำด้วยใบเลื่อยที่กำลังหมุนอย่างเด็ดขาด** หากมีพื้นที่จำกัด ต. ย. เช่น เมื่อโซ่กันหยุดความยาว ชิ้นส่วนที่ตัดออกอาจถูกบีบอัดกับใบเลื่อยและถูกเหวี่ยงออกมาอย่างรุนแรง
- ▶ **ใช้แคลมป์หรืออุปกรณ์ที่ออกแบบมาเพื่อยึดจับวัสดุทรงกลม เช่น ก้าน หรือท่อ โทบนหนาเสมอ** ก้านกลมมีแนวโน้มที่จะกลิ้งออกไปในขณะที่ถูกตัด ทำให้ใบเลื่อย "ติดแน่น" และดึงชิ้นงานและมือของท่านเข้าไปในใบเลื่อยได้
- ▶ **ปล่อยให้ใบเลื่อยวิ่งถึงความเร็วสูงสุดก่อนจะลงบนชิ้นงาน** ในลักษณะนี้จะลดความเสี่ยงจากการที่ชิ้นงานจะถูกเหวี่ยงออกไป
- ▶ **หากชิ้นงานหรือใบเลื่อยเกิดติดขัด ให้ปิดสวิทช์เลื่อยตัดองศา รอให้ชิ้นส่วนที่เคลื่อนไหวทั้งหมดหยุดนิ่งอยู่กับที่และถอดปลั๊กไฟออกจากแหล่งจ่ายไฟ และ/หรือถอดแบตเตอรี่ที่แยกออก จากนั้นจึงเอาวัสดุที่ติดขัดออกมา** การเลือกชิ้นงานที่ติดขัดต่อไป อาจทำให้สูญเสียการควบคุม หรือเลื่อยต้องอาจเสียหายได้
- ▶ **เมื่อตัดเสร็จแล้ว ให้ปล่อยให้จิวกลสวิทช์ จับหัวเครื่องเลื่อยลง และรอให้ใบเลื่อยหยุดนิ่งอยู่กับที่ก่อนเอาชิ้นงานที่ถูกตัดออกมา** การเอื้อมมือของท่านเข้าใกล้ใบเลื่อยที่วิ่งด้วยแรงเฉื่อยเป็นการกระทำที่อันตราย
- ▶ **จับค้ำจับอย่างแน่นหนาเมื่อทำการตัดที่ไม่สมบุรณ์ หรือเมื่อปล่อยให้จิวกลสวิทช์ก่อนที่หัวเครื่องเลื่อยจะอยู่ในตำแหน่งของข้อมงบุรณ์** การเบรคเครื่องเลื่อยอาจทำให้หัวเครื่องเลื่อยถูกดึงลงด้านล่างอย่างกะทันหัน ทำให้เสี่ยงต่อการได้รับบาดเจ็บ
- ▶ **อย่าปล่อยให้จิวกลสวิทช์เคลื่อนที่ถึงตำแหน่งต่ำสุด นำหัวเลื่อยกลับไปที่ตำแหน่งบนสุดด้วยมือเสมอ** อาจเกิดความเสียหายต่อการบาดเจ็บหากหัวเลื่อยเคลื่อนที่โดยไร้การควบคุม
- ▶ **รักษาสถานที่ทำงานให้สะอาด** การผสมผสานของวัสดุเป็นอันตรายอย่างฝังุ่นละอองโลหะอาจเผาไหม้หรือระเบิดได้
- ▶ **อย่าใช้ใบเลื่อยที่บุ แดกร้าว คุดง หรือชำรุด** ใบเลื่อยที่บุหรือบุรับตึงไวไม่ถูกต้องจะใคร่รอยตัดแคบ ทำให้มีการเสียดสีมากเกินปกติ ใบเลื่อยติดขัดและเกิดการตีกลับ
- ▶ **อย่าใช้ใบเลื่อยที่ทำจากเหล็กกล้าเร็วสูง (High Speed Steel, HSS)** ใบเลื่อยนี้แตกง่าย
- ▶ **ใช้ใบเลื่อยที่มีขนาดและรูปทรงรูปรีที่ถูกต้องเสมอ (สี่เหลี่ยมขนมเปียกปูนหรือกลม)** ใบเลื่อยที่ไม่เข้าชุดกับอุปกรณ์ติดตั้งของเครื่องเลื่อยจะวิ่งไม่อยู่กึ่งกลางและทำให้สูญเสียการควบคุม
- ▶ **อย่านำเศษค้ำออกจากการตัด เศษโลหะ และอื่นๆ ออกจากบริเวณตัดขณะเครื่องกำลังวิ่งอยู่** ต้องนำแขนเครื่องมือกลับไปที่ตำแหน่งกลางก่อนเสมอ และจากนั้นจึงปิดสวิทช์เครื่อง

- ▶ **เมื่อสิ้นสุดการทำงาน อย่าสัมผัสใบเลื่อยก่อนที่ใบเลื่อยจะเย็นลง** ใบเลื่อยจะร้อนขึ้นมากขณะทำงาน
- ▶ **เมื่อแบตเตอรี่ชำรุดและนำไปใช้งานอย่างไม่ถูกต้องอาจมีไอระเหยออกมาได้** แบตเตอรี่อาจเผาไหม้หรือระเบิดได้ให้สูดอากาศบริสุทธิ์และไปพบแพทย์ในกรณีเจ็บปวด ไอระเหยอาจทำให้ระบบหายใจระคายเคือง
- ▶ **อย่าเปิดแบตเตอรี่** อันตรายจากการลัดวงจร
- ▶ **วัตถุที่แหลมคม ต. ย. เช่น ตะปูหรือไขควง หรือแรงกระทำภายนอก อาจทำให้แบตเตอรี่เสียหายได้** สิ่งเหล่านี้อาจทำให้เกิดการลัดวงจรภายในและแบตเตอรี่ใหม่ มีควันระเบิด หรือร้อนเกินไป
- ▶ **ใช้เฉพาะแบตเตอรี่จากผลิตภัณฑ์ของผู้ผลิต** ในลักษณะนี้ แบตเตอรี่แท้จะได้รับการปกป้องจากการใช้งานเกินกำลังซึ่งเป็นอันตราย



ปกป้องแบตเตอรี่จากความร้อน รวมทั้ง ต. ย. เช่น จากการถูกแสงแดดส่องต่อเนื่อง จากไฟลิ่งสปริง น้ำ และความร้อน อันตรายจากการระเบิดและการลัดวงจร

- ▶ **เครื่องมือไฟฟ้าที่มีจุดส่งมาพร้อมป้ายเตือนแสงเลเซอร์ (ดูตาราง "สัญลักษณ์และความหมายของสัญลักษณ์")**
- ▶ **หากข้อความของป้ายเตือนแสงเลเซอร์ไม่ได้เป็นภาษาของท่าน ให้ติดสติ๊กเกอร์ที่จุดส่งมาที่พิมพ์เป็นภาษาของท่านที่ลงบนข้อความก่อนใช้งานครั้งแรก**
- ▶ **อย่าทำให้ป้ายเตือนบนเครื่องมือไฟฟ้าเคลื่อนอย่างเด็ดขาด**



อย่าส่องลำแสงเลเซอร์ไปยังคนหรือสัตว์ และตัวท่านเองอาจมองเข้าไปในลำแสงเลเซอร์

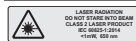
โดยตรงหรือลำแสงเลเซอร์สะท้อน การกระทำดังกล่าวอาจทำให้คนตาพร่า ทำให้เกิดอุบัติเหตุหรือทำให้ดวงตาเสียหายได้

- ▶ **ถ้าแสงเลเซอร์เขาดำ ต้องปิดตาและหันศีรษะออกจากลำแสงในทันที**
- ▶ **อย่าทำการเปลี่ยนแปลงใดๆ ที่อุปกรณ์เลเซอร์** ท่านสามารถไขการตั้งค่าต่างๆ ที่อธิบายไว้ในคู่มือการใช้งานฉบับนี้ได้อย่างปลอดภัย
- ▶ **อย่าปล่อยให้เด็กฯ ใช้เครื่องมือไฟฟ้าโดยไม่ควบคุมดูแล** เด็กฯ อาจทำให้บุคคลอื่นหรือตนเองตาพร่าโดยไม่ตั้งใจ

## สัญลักษณ์

สัญลักษณ์ต่อไปนี้มีความสำคัญต่อการใช้เครื่องมือไฟฟ้าของท่าน กรุณาจดจำสัญลักษณ์และความหมาย การแปลความสัญลักษณ์ได้ถูกต้องจะช่วยให้ท่านใช้เครื่องมือไฟฟ้าได้ดีและปลอดภัยกว่า

### สัญลักษณ์และความหมายของสัญลักษณ์



**แสงเลเซอร์**  
อย่ามองเข้าไปในลำแสง  
ระดับเลเซอร์ 2



**เอามือออกจากบริเวณตัด**  
ขณะเครื่องกำลังวิ่ง อันตรายจากการบาดเจ็บเมื่อไปสัมผัสกับใบเลื่อย

**สัญลักษณ์และความหมายของสัญลักษณ์**



**สวมหน้ากากป้องกันฝุ่น**



**สวมแว่นตาป้องกันอันตราย**



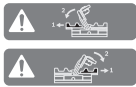
**สวมอุปกรณ์ป้องกันเสียง การรับฟังเสียงดังอาจทำให้อายุการใช้งานโดยสั้น**



**บริเวณอันตราย! เหนือมือ นิ้ว หรือแขนออกจากบริเวณนี้**



เมื่อขนย้ายเครื่องให้จับเครื่องตรงตำแหน่งที่กำหนด (ตามจับเวา) เท่านั้น หรือจับที่ตามจับสำหรับขนย้าย



เมื่อตัดมุมเฉียงในแนวตั้ง ต้องดึงแผ่นกันปรับได้ออกด้านนอกหรือถอดออกไป



สังเกตขนาดของใบเลื่อย (เส้นผ่านศูนย์กลางของใบเลื่อย  $D$  และเส้นผ่านศูนย์กลางของรู  $d$ ) เส้นผ่านศูนย์กลางของรู  $d$  ต้องเข้ากับแกนเครื่องมือโดยไม่มีระยะหลวม หากจำเป็นต้องใช้ตัวลดขนาด ใตตรวจสอบให้แน่ใจว่าขนาดของตัวลดนั้นตรงกับความหนาของใบเลื่อยและเส้นผ่านศูนย์กลางของรูที่ใบเลื่อย รวมถึงเส้นผ่านศูนย์กลางของแกนเครื่องมือ หากเป็นไปได ให้ใช้ตัวลดขนาดที่จัดส่งมาพร้อมกับใบเลื่อย

เส้นผ่านศูนย์กลางของใบเลื่อย  $D$  ต้องสอดคล้องกับข้อมูลบนสัญลักษณ์

โปรดดูข้อมูลเพิ่มเติมเกี่ยวกับ "ขนาดของใบเลื่อยที่เหมาะสม" ในหัวข้อ "ข้อมูลทางเทคนิค"

**รายละเอียดผลิตภัณฑ์และข้อมูลจำเพาะ**



**อ่านค่าเตือนเพื่อความปลอดภัยและคำแนะนำทั้งหมด** การไม่ปฏิบัติตามค่าเตือนและคำสั่งอาจเป็นสาเหตุให้อุปกรณ์เกิดไฟไหม้ และ/หรือได้รับบาดเจ็บอย่างร้ายแรง

กรุณาคุณภาพประกอบในส่วนหน้าของคู่มือการใช้งาน

**ประโยชน์การใช้งานของเครื่อง**

เครื่องมือไฟฟ้านี้เป็นเครื่องประจำที่ ใช้สำหรับตัดไม้เป็นแนวตรงทั้งตามยาวและตามขวาง สามารถตัดมุมเฉียงในแนวนอนจาก  $-48^\circ$  ถึง  $+48^\circ$  และมุมเฉียงในแนวตั้งจาก  $47^\circ$  (ด้านซ้าย) ถึง  $47^\circ$  (และด้านขวา)

เครื่องนี้ออกแบบให้มีสมรรถภาพสำหรับเลื่อยไม้เนื้ออ่อนและเนื้อแข็ง และพาร์ติเคิลบอร์ดและไฟเบอร์บอร์ด เมื่อใช้ใบเลื่อยที่เหมาะสมยังสามารถเลื่อยโปรไฟล์อะลูมิเนียมและวัสดุสังเคราะห์ได้อีกด้วย

**ส่วนประกอบที่แสดงภาพ**

ลำดับเลขของส่วนประกอบผลิตภัณฑ์ข้างถึงส่วนประกอบของเครื่องมือไฟฟ้าที่แสดงในหน้าภาพประกอบ

- (1) สกรูล็อคสำหรับอุปกรณ์สไลด์
- (2) อุปกรณ์สไลด์
- (3) คันจับขนย้าย
- (4) กระจับป้องกัน
- (5) ปุ่มล็อคไม่ให้สวิตช์เปิด-ปิดทำงาน
- (6) สวิตช์เปิด-ปิด
- (7) ด้ามจับ
- (8) ฝาครอบป้องกันเลเซอร์
- (9) ช่องทางออกลำแสงเลเซอร์
- (10) กระจับป้องกันใบเลื่อยชนิดซึ่กรันได้
- (11) ลูกกลิ้ง
- (12) โตะเลื่อย
- (13) รูสำหรับติดตั้ง
- (14) แผ่นสอด
- (15) คลิปล็อค
- (16) ลูกบิดล็อคสำหรับมุมเฉียงทั้งหมด (แนวนอน)
- (17) คันปรับมุมเฉียง (แนวนอน)
- (18) ขาหนุนกันเอียง
- (19) ป้ายเตือนแสงเลเซอร์
- (20) ช่องกักสำหรับมุมเฉียงมาตรฐาน (แนวนอน)
- (21) มาตรฐานสำหรับมุมเฉียง (แนวนอน)
- (22) สกรูหนีบของส่วนขยายโตะเลื่อย
- (23) ส่วนขยายโตะเลื่อย
- (24) อุปกรณ์หมุนชิ้นงาน (เปลี่ยนได้แบบคล่องตัว)
- (25) แผ่นกันแบบติดตั้งถาวร
- (26) แผ่นกันปรับได้
- (27) มาตรฐานสำหรับมุมเฉียง (แนวตั้ง)
- (28) เข็มซี่มุมสำหรับมุมเฉียง (แนวตั้ง)
- (29) กระจับเบี่ยงเศษโลหะ
- (30) ใบเลื่อย
- (31) ล็อคแกน

- |                                                      |                                                                       |
|------------------------------------------------------|-----------------------------------------------------------------------|
| (32) แป้นปลดล็อกแบตเตอรี่                            | (47) ส่วนรองรับสำหรับอุปกรณ์หมุนชิ้นงาน (ที่เครื่องมือไฟฟ้า)          |
| (33) แบตเตอรี่แพ็ค                                   | (48) ส่วนรองรับสำหรับอุปกรณ์หมุนชิ้นงานที่สอง (ที่อุปกรณ์หมุนชิ้นงาน) |
| (34) ล็อคนิรภัยสำหรับขนย้าย                          | (49) น็อตเกลียว                                                       |
| (35) ขาหมุนกันเอียง                                  | (50) ขอดต้อดูดุดออก                                                   |
| (36) ก้านหยุดความยาว                                 | (51) สกรูหัวจมทกเหลี่ยมสำหรับยึดใบเลื่อย                              |
| (37) ลูกเก็บผง                                       | (52) หน้าแปลนยึด                                                      |
| (38) สกรูปรับก้านวัดความลึก                          | (53) หน้าแปลนยึดด้านใน                                                |
| (39) ก้านวัดความลึก                                  | (54) สกรูยึดสำหรับสกรูสำหรับแผ่นสลด                                   |
| (40) ก้านหมุนเกลียว                                  | (55) สกรูสำหรับฝาครอบป้องกันเลเซอร์                                   |
| (41) แคลมป์ยึดวัสดุ                                  | (56) สกรูยึดสำหรับฝาครอบของเลเซอร์                                    |
| (42) รูสำหรับแคลมป์ยึดวัสดุ                          | (57) ฝาครอบของเลเซอร์                                                 |
| (43) ประแจขันทกเหลี่ยม/ปลายไขควงร่อง                 | (58) เข็มชี้มุมสำหรับมุมเอียง (แนวนอน)                                |
| (44) สกรูล็อคของแผ่นกันปรับได้                       | (59) สกรูสำหรับเข็มชี้มุม (แนวนอน)                                    |
| (45) ล็อชน๊บบสำหรับมาตราส่วนสำหรับมุมเอียง (แนวตั้ง) | (60) สกรูสำหรับเข็มชี้มุม (แนวตั้ง)                                   |
| (46) คันล๊อคสำหรับมาตราส่วนสำหรับมุมเอียง (แนวตั้ง)  | (61) ด้ามจับเว้า                                                      |

### ข้อมูลทางเทคนิค

แทนต์คองค่าแบบสไลด์พร้อมแบตเตอรี่แพ็ค		GCM 18V-216 D	GCM 18V-216 D
หมายเลขสินค้า		3 601 M51 0..	3 601 M51 0B. 3 601 M51 08.
แรงดันไฟฟ้ากัก	V=	18	18
ความเร็วรอบเดินเครื่องเปล่า <sup>A)</sup>	นาที <sup>-1</sup>	5000	5000
ชนิดของเลเซอร์	นาโนเมตร	650	650
	มิลลิวัตต์	< 1	< 1
ระดับของเลเซอร์		2	2
น้ำหนัก <sup>B)</sup>	กก.	16.4-17.4	16.4-17.4
อุณหภูมิโดยรอบที่แนะนำเมื่อชาร์จ	°C	0 ... +35	0 ... +35
อุณหภูมิโดยรอบที่อนุญาตเมื่อใช้งาน <sup>C)</sup> และเมื่อจัดเก็บ	°C	-20 ... +50	-20 ... +50
แบตเตอรี่แบบชาร์จได้ที่แนะนำ		GBA 18V... ProCORE18V...	GBA 18V... ProCORE18V...
เครื่องชาร์จที่แนะนำ		GAL 18... GAX 18... GAL 36...	GAL 18... GAX 18... GAL 36...
<b>ขนาดของใบเลื่อยที่เหมาะสม</b>			
เส้นผ่านศูนย์กลางของใบเลื่อย D	มม.	216	216
ความหนาของใบเลื่อย	มม.	1.2-1.8	1.2-1.8
เส้นผ่านศูนย์กลางของรู d	มม.	30	25.4

A) ดำเนินการวัด ณ อุณหภูมิ 20-25 °C พร้อมแบตเตอรี่ ProCORE18V 8.0Ah

B) ขึ้นอยู่กับแบตเตอรี่แพ็คที่ใช้

C) สมรรถภาพจะน้อยลงที่อุณหภูมิ < 0 °C

ขนาดชิ้นงานที่อนุญาต (สูงสุด/ต่ำสุด): (ดู "ขนาดชิ้นงานที่อนุญาต", หน้า 112)

คำอาจแตกต่างกันไปตามผลิตภัณฑ์และขึ้นอยู่กับเงื่อนไขด้านการใช้งานและสภาพแวดล้อม โปรดดูข้อมูลเพิ่มเติมที่เว็บไซต์ [www.bosch-professional.com/wac](http://www.bosch-professional.com/wac)

## แบตเตอรี่

Bosch จำหน่ายเครื่องมือไฟฟ้าไร้สายไม่รวมแบตเตอรี่แพ็คเกจยวเช่นกัน คุณสามารถดูได้จากบรรจุภัณฑ์ว่า ขอบเขตการจัดส่งเครื่องมือไฟฟ้าของคุณมีแบตเตอรี่แพ็คเกจหรือไม่

### การชาร์จแบตเตอรี่

▶ **ใช้เฉพาะเครื่องชาร์จแบตเตอรี่ที่ระบุในข้อมูลทางเทคนิคเท่านั้น** เฉพาะเครื่องชาร์จแบตเตอรี่เหล่านี้เท่านั้นที่เข้าชุดกับแบตเตอรี่ลิเธียม ไอออน ของเครื่องมือไฟฟ้าของท่าน

**หมายเหตุ:** แบตเตอรี่ลิเธียม ไอออนถูกจัดส่งโดยมีการชาร์จไฟบางส่วนตามระเบียบข้อบังคับด้านการขนส่งระหว่างประเทศ เพื่อให้แน่ใจว่าแบตเตอรี่จะทำงานได้อย่างสมบูรณ์แบบ ก่อนใช้งานครั้งแรกให้ชาร์จแบตเตอรี่จนเต็ม

### การใส่แบตเตอรี่

ใส่แบตเตอรี่ที่ชาร์จแล้วเข้าไปในด้ามจับจนรู้สึกเข้าล็อก



### การถอดแบตเตอรี่

เมื่อต้องการถอดแบตเตอรี่แพ็คเกจ ให้กดปุ่มปลดล็อกแบตเตอรี่และดึงแบตเตอรี่แพ็คเกจออกจากเครื่องมือไฟฟ้าอย่างช้าๆ **หลังดึง** แบตเตอรี่แพ็คเกจมีการล็อก 2 ระดับเพื่อป้องกันไม่ให้แบตเตอรี่แพ็คเกจหลุดออกมาหากกดปุ่มปลดล็อกแบตเตอรี่โดยไม่ได้ตั้งใจ เมื่อแบตเตอรี่ถูกบรรจุอยู่ในเครื่องมือไฟฟ้า สปริงจะยึดแบตเตอรี่ให้เข้าตำแหน่ง

### ไฟแสดงสถานะการชาร์จแบตเตอรี่

**หมายเหตุ:** ไม่ใช่แบตเตอรี่ทุกประเภทที่จะมีไฟแสดงระดับการชาร์จ

ไฟ LED สีเขียวของการแสดงสถานะการชาร์จแบตเตอรี่แสดงสถานะการชาร์จของแบตเตอรี่ ด้วยเหตุผลด้านความปลอดภัยที่ท่านสามารถตรวจสอบสถานะการชาร์จเฉพาะเมื่อเครื่องมือไฟฟ้าหยุดสนิทเท่านั้น

กดปุ่มสำหรับไฟแสดงสถานะการชาร์จแบตเตอรี่  หรือ  เพื่อแสดงสถานะการชาร์จ ท่านสามารถกดได้เมื่อบattery แบตเตอรี่ออกแล้ว

หลังจากกดปุ่มสำหรับไฟแสดงสถานะการชาร์จแบตเตอรี่แล้ว ไฟ LED ไม่ติดขึ้น แสดงว่าแบตเตอรี่บกพร่องและต้องเปลี่ยนใหม่

### แบตเตอรี่ชนิด GBA 18V...



LED	ความจุ
ไฟส่องสว่างต่อเนื่อง 3× สีเขียว	60–100 %
ไฟส่องสว่างต่อเนื่อง 2× สีเขียว	30–60 %
ไฟส่องสว่างต่อเนื่อง 1× สีเขียว	5–30 %
ไฟกะพริบ 1× สีเขียว	0–5 %

### แบตเตอรี่ชนิด ProCORE18V...



LED	ความจุ
ไฟส่องสว่างต่อเนื่อง 5× สีเขียว	80–100 %
ไฟส่องสว่างต่อเนื่อง 4× สีเขียว	60–80 %
ไฟส่องสว่างต่อเนื่อง 3× สีเขียว	40–60 %
ไฟส่องสว่างต่อเนื่อง 2× สีเขียว	20–40 %
ไฟส่องสว่างต่อเนื่อง 1× สีเขียว	5–20 %
ไฟกะพริบ 1× สีเขียว	0–5 %

### ข้อแนะนำในการปฏิบัติต่อแบตเตอรี่อย่างเหมาะสมที่สุด

ปกป้องแบตเตอรี่จากความชื้นและน้ำ

เก็บรักษาแบตเตอรี่แพ็คเกจในช่วงอุณหภูมิ  $-20^{\circ}\text{C}$  ถึง  $50^{\circ}\text{C}$  เท่านั้น อายาบ่อยวางแบตเตอรี่แพ็คเกจไว้ในรถยนต์ในช่วงฤดูร้อน

ทำความสะอาดช่องระบายอากาศเป็นครั้งคราวโดยใช้แปรงขนอ่อนที่แห้งและสะอาด

หลังจากชาร์จแบตเตอรี่แล้ว หากแบตเตอรี่แพ็คเกจมีช่วงเวลาทำงานสั้นมาก แสดงว่าแบตเตอรี่แพ็คเกจเสื่อมและต้องเปลี่ยนใหม่

อ่านและปฏิบัติตามข้อสังเกตสำหรับการกำจัดขยะ

### การติดตั้ง

▶ **โปรดถอดแบตเตอรี่แบบชาร์จได้ออกจากเครื่องมือไฟฟ้าก่อนการทำงานทุกประเภทที่เครื่องมือไฟฟ้า (เช่น การบำรุงรักษา การเปลี่ยนเครื่องมือ เป็นต้น)** เนื่องจากการสั่งงานสวิตช์เปิด/ปิดโดยไม่ตั้งใจขณะทำงานดังกล่าวอาจก่อให้เกิดความเสี่ยงต่อการบาดเจ็บได้

### รายการสิ่งของที่จัดส่ง



กรุณาสังเกตภาพประกอบรายการสิ่งของที่จัดส่งในตอนต้นของคู่มือการใช้งาน

ก่อนใช้เครื่องทำงานเป็นครั้งแรก ให้ตรวจสอบว่าชิ้นส่วนทั้งหมดที่ระบุด้านล่างนี้ได้จัดส่งมาด้วยหรือไม่:

- แท่นติดตั้งแบบเลื่อนพร้อมใบเลื่อยติดตั้งมาแล้ว
- ล็อคนิ้ว (45)
- แผ่นกันปรอท (26)
- แคลมป์ยึดวัสดุ (41)
- ประแจขันหกเหลี่ยม/ปลายไขควงร่อง (43)
- ลูกเก็บผง (37)
- อุปกรณ์หนุนชิ้นงาน (24) (2 ชั้น)

**หมายเหตุ:** ตรวจสอบเครื่องมือไฟฟ้าเพื่อหาจุดชำรุดที่อาจมีก่อนใช้เครื่องมือไฟฟ้าต่อไปต้องตรวจสอบอุปกรณ์ป้องกันอันตรายว่าทำงานอย่างถูกต้องหรือไม่ ส่วนชำรุดเล็กน้อยใด ๆ ต้องได้รับการตรวจสอบอย่างละเอียดถี่ถ้วนเพื่อจะเชื่อมั่นใจว่าเครื่องจะทำงานได้อย่างไม่มีข้อบกพร่อง ตรวจสอบชิ้นส่วนที่

เคลื่อนไหวว่าทำงานอย่างถูกต้องและติดขัดหรือไม่ หรือมีชิ้นส่วนเสียหายหรือไม่ ชิ้นส่วนทั้งหมดต้องติดตั้งอย่างถูกต้องและตรงตามเงื่อนไขทั้งหมดเพื่อให้แน่ใจว่าการทำงานได้อย่างไม่ผิดพลาด

ท่านต้องส่งเครื่องไปยังโรงซ่อมที่เชี่ยวชาญและเป็นที่ยอมรับเพื่อทำการซ่อมแซมหรือเปลี่ยนอุปกรณ์ป้องกันอันตรายและชิ้นส่วนที่เสียหายอย่างถูกต้อง

### การติดตั้งส่วนประกอบแต่ละชิ้น

- นำชิ้นส่วนทั้งหมดที่จัดส่งมาออกจากหีบห่ออย่างระมัดระวัง
- นำวัสดุหีบห่อทั้งหมดออกจากเครื่องมือไฟฟ้าและอุปกรณ์ประกอบที่จัดส่งมา
- เพื่อให้การทำงานง่ายขึ้นเมื่อประกอบชิ้นส่วนอุปกรณ์ที่ใหม่มา ตรวจสอบให้แน่ใจว่า เครื่องมือไฟฟ้าอยู่ในตำแหน่งการขนส่ง

### ติดตั้งอุปกรณ์หมุนชิ้นงาน (รูปภาพประกอบ A1)

สามารถจัดตำแหน่งอุปกรณ์หมุนชิ้นงาน (24) ขั้ว ขวาหรือด้านหน้าที่เครื่องมือไฟฟ้า ระบบปลั๊กอินที่ยึดหมุนขั้วให้คุณขยายหรือขยายรูปแบบใดหลากหลาย (รูปภาพประกอบ G)

- เลือกอุปกรณ์หมุนชิ้นงาน (24) ส่วนรองรับ (47) ที่เครื่องมือไฟฟ้าหรือในสวนรองรับ (48) ของอุปกรณ์หมุนชิ้นงานที่สอง

### ▶ อย่าวางเครื่องมือไฟฟ้าตรงอุปกรณ์หมุนชิ้นงานขณะย้ายเครื่องมือไฟฟ้าด้วยอุปกรณ์สำหรับขนย้ายเท่านั้น

### ติดตั้งล้อหนีบ (รูปภาพประกอบ A2)

ล้อหนีบ (45) ยึดมาตรวจสอบสำหรับมุมเอียงในแนวตั้งแบบปรับได้และจำเป็นสำหรับการทำงานที่ปลอดภัย

- คลายเกลียวน็อตหกเหลี่ยมออกจากน็อตเกลียว (49)
- ขันล้อหนีบ (45) ตามเข็มนาฬิกาเข้ากับน็อตเกลียว (49) และขันไทแน่น

### การติดตั้งแผ่นกันปรับได้ (รูปภาพประกอบ A3)

ต้องติดตั้งแผ่นกันปรับได้ (26) ก่อนเลื่อน

- เลื่อนแผ่นกันปรับได้ (26) ขวาของใบเลื่อยเข้าไปในร่องที่ตรงกัน แล้วขันสลักรูล็อก (44) ไทแน่น ส่วนที่แบนของแผ่นกันต้องชี้เข้าด้านในเข้าหาใบเลื่อย

### การติดตั้งแบบประจําที่หรือแบบคล้องตัว

▶ เพื่อควบคุมเครื่องมือให้ได้อย่างปลอดภัย ก่อนใช้งานต้องติดตั้งเครื่องมือบนพื้นผิวที่มั่นคงและราบเสมอกัน (ค. ย. เช่น โต๊ะทำงานของช่าง)

### การติดตั้งบนพื้นผิวทำงาน (รูปภาพประกอบ B1-B2)

ยึดเครื่องมือไฟฟ้าเข้ากับพื้นผิวทำงานด้วยสลักรูยึดที่เหมาะสม สำหรับการยึดให้ใช้ (13)

หรือ

หนีบฐานของเครื่องมือไฟฟ้าเข้ากับพื้นผิวทำงานให้แน่นด้วยแคลมป์ยึดวัสดุที่มีจำหน่ายทั่วไป

### การติดตั้งบนโต๊ะเลื่อย บ็อกซ์

โต๊ะเลื่อย GTA ของ บ็อกซ์ มีขาที่ปรับความสูงได้ จึงสามารถค้ำพุงเครื่องมือไฟฟ้าบนทุกพื้นผิว แทนรองรับชิ้นงานของโต๊ะเลื่อยใช้สำหรับรองรับชิ้นงานที่มีขนาดยาว

- ▶ **อ่านคำเตือนเพื่อความปลอดภัยและคำสั่งทั้งหมดที่แนบมากับโต๊ะเลื่อย** การไม่ปฏิบัติตามคำเตือนเพื่อความปลอดภัยและคำสั่งอาจเป็นสาเหตุให้ถูกไฟฟ้าดูด เกิดไฟไหม้ และ/หรือได้รับบาดเจ็บอย่างร้ายแรง
- ▶ **ต่อโต๊ะเลื่อยอย่างถูกต้องก่อนติดตั้งเครื่องมือไฟฟ้า** จำเป็นต้องต่อให้เรียบร้อยถูกต้องเพื่อหลีกเลี่ยงอันตรายจากการลมนควัว

– ติดตั้งเครื่องมือไฟฟ้าในตำแหน่งขนายบนโต๊ะทำงาน

### การติดตั้งแบบคล้องตัว (ไม่แนะนำ!) (รูปภาพประกอบ B3)

ในบางกรณีที่ไม่สามารถติดตั้งเครื่องมือไฟฟ้าบนพื้นผิวทำงานที่ราบเรียบและมั่นคงได้ ท่านสามารถตั้งเครื่องโดยใช้ขาหนีบกั้นเอียงเป็นการชั่วคราว

▶ **หากไม่ใช่ขาหนีบกั้นเอียง เครื่องมือไฟฟ้าจะตั้งอยู่อย่างไม่ปลอดภัยและอาจพลิกคว่ำได้โดยเฉพาเมื่อเลื่อยมุมเอียงมากสุดในแนวนอนและ/หรือแนวตั้ง**

– หมุนขาหนีบกั้นเอียง (18) เข้าหรือออกจนเครื่องมือไฟฟ้าตั้งตรงบนพื้นผิวทำงาน

### การดูดฝุ่น/ซีเลื่อย

ฝุ่นที่ได้จากวัสดุ เช่น เคลือบผิวที่มีสารตะกั่ว ไม้บางประเภท แร่ธาตุ และโลหะ อาจเป็นอันตรายต่อสุขภาพ การสัมผัสหรือการหายใจเอาฝุ่นเข้าไปอาจทำให้เกิดปฏิกิริยาแพ้ฝุ่น และ/หรือนำมาซึ่งโรคติดต่อระบบหายใจแก่ผู้ใช้เครื่องมือหรือผู้ที่ยืนอยู่ใกล้เคียง

ฝุ่นบางประเภท เช่น ฝุ่นไม้โอ๊ก หรือไม้บีช นับเป็นสารที่ทำให้เกิดมะเร็ง โดยเฉพาะอย่างยิ่งเมื่อผสมกับสารเติมแต่งเพื่อบำบัดไม้ (โครเมต ผลิตภัณฑ์รักษาเนื้อไม้) สำหรับวัสดุที่มีแอลเบทอลตองใหญ่เชี่ยวชาญทำงานเท่านั้น

- ใช้ระบบดูดฝุ่นออกที่เหมาะสมกับประเภทวัสดุ มากเท่าที่จะทำได้

- จัดสถานที่ทำงานให้มีการระบายอากาศที่ดี
- ขอแนะนำให้สวมหน้ากากป้องกันการติดเชื้อที่มีระดับ-ไส้กรอง P2

ปฏิบัติตามกฎข้อบังคับสำคัญอื่นๆ ที่เกี่ยวกับวัสดุชิ้นงานที่ยังคงใช้ในประเทศของท่าน

▶ **ป้องกันการสะสมของฝุ่นในสถานที่ทำงาน** ฝุ่นสามารถถูกหายใจอย่างง่ายดาย

อุปกรณ์ดูดฝุ่น/ซีเลื่อยอาจอุดตันด้วยฝุ่น ซีเลื่อยหรือสะเก็ดชิ้นงาน

- ปิดสวิทช์เครื่องมือไฟฟ้าและถอดแบตเตอรี่เพื่อออก
- รอจนใบเลื่อยหยุดสนิท
- ทาสีหรืออุดการอุดตันและทำการแก้ไข

### การดูดฝุ่นในตัว (รูปภาพประกอบ C)

เพื่อความสะดวกในการเก็บเศษผง ให้ใช้ถุงเก็บผง (37) ที่จัดส่งมา

- ตั้งคั่นจับขนย้าย (3) ให้ตรง
- สอดและหมุนถุงเก็บผง (37) บนอะแดปเตอร์ดูด (50) เพื่อให้ซาถุงเก็บผงเข้าที่ช่องบนอะแดปเตอร์ดูด

ขณะเลื่อย ถุงเก็บ

ผงตองไม่ไปสัมผัสกับส่วนของเครื่องที่เคลื่อนไหวได้ ถ้ายางเก็บผงให้ทันทวงที่เสมอ

- ▶ ตรวจสอบและทำความสะอาดลูกเก็บผงทุกครั้งหลังใช้งาน
- ▶ เมื่อต้องการเสียบอะลูมิเนียม โพลีคาร์บอเนตเพื่อหลีกเลี่ยงอันตรายจากไฟไหม้

#### การดูดฝุ่นด้วยเครื่องดูดฝุ่นภายนอก

สำหรับการดูดฝุ่นออกข้อต่อท่อดูดออก (50) ท่านยังสามารถเชื่อมต่อท่อของเครื่องดูดฝุ่น (Ø 35 มม.) ได้ด้วย

- เชื่อมต่อท่อดูดฝุ่นเข้ากับช่องพ่นซีคัมบอ (50)

เครื่องดูดฝุ่นต้องมีลักษณะการใช้งานที่เหมาะสมกับประเภทวัสดุชิ้นงาน

ในกรณีดูดฝุ่นแ่งที่เป็นอันตรายคือสภาพอย่าง ยิ่งหรืออาจก่อให้เกิดประกายไฟ ให้ใช้เครื่องดูดฝุ่นพิเศษ

#### การเปลี่ยนใบเลื่อย (ดูภาพประกอบ D1-D4)

- ▶ **โปรดถอดแบตเตอรี่แบบชาร์จได้ออกจากเครื่องมือไฟฟ้า ก่อนการทำงานทุกประเภทที่เครื่องมือไฟฟ้า (เช่น การบำรุงรักษา การเปลี่ยนเครื่องมือ เป็นต้น)** เนื่องจากการทำงานของงานสวิตช์เปิด/ปิดโดยไม่ตั้งใจขณะทำงานดังกล่าวอาจก่อให้เกิดความเสี่ยงต่อการบาดเจ็บได้

- ▶ **สวมถุงมือป้องกันอันตรายเมื่อติดตั้งใบเลื่อย** เมื่อสัมผัสกับใบเลื่อยจะเสี่ยงต่อการได้รับบาดเจ็บ

ใช้เฉพาะใบเลื่อยที่มีความเร็วสูงสุดที่อนุญาตสูงกว่าความเร็วรอบตัวเปล่าของเครื่องมือไฟฟ้าของท่าน

ใช้เฉพาะใบเลื่อยที่มีคุณสมบัติสอดคล้องกับข้อมูลที่ระบุไว้ในหนังสือคู่มือการใช้งานเล่มนี้ และที่ผ่านการทดสอบและทำเครื่องหมายตาม EN 847-1

ใช้เฉพาะใบเลื่อยที่บริษัทผู้ผลิตเครื่องมือไฟฟ้านี้แนะนำให้ใช้ และใบเลื่อยที่เหมาะสมสำหรับเลื่อยวัสดุที่ต้องการตัด ในลักษณะนี้จะช่วยป้องกันไม่ให้อินเลื่อยรอนเกินไปขณะตัด

#### การถอดใบเลื่อย

- จัดเครื่องมือไฟฟ้าให้อยู่ในตำแหน่งทำงาน
- หมุนกระบังป้องกันใบเลื่อยชนิดชักกรนได้ (10) ไปด้านหลังและจับกระบังป้องกันใบเลื่อยชนิดชักกรนได้ไว้ในตำแหน่งนี้
- หมุนสกรูหัวจุ่มทกเหลี่ยม (51) ด้วยประแจขันทกเหลี่ยม (6 มม.) (43) และในขณะที่เดียวกันให้ถอดล็อกแกน (31) จนขมเข่าที่
- ถอดล็อกแกน (31) ค้างไว้ และขันสกรูหัวจุ่มทกเหลี่ยม (51) ออกในทิศตามเข็มนาฬิกา (เกลียวซ้าย!)
- ถอดนอตยึด (52) ออก
- ถอดใบเลื่อย (30) ออก
- เลื่อนกระบังป้องกันใบเลื่อยชนิดชักกรนได้ลงอย่างช้าๆ อีกครั้ง

#### การประกอบใบเลื่อย

- ▶ **เมื่อประกอบใบเลื่อย ต้องเอาใจใส่ให้ทิศทางตัดของฟัน (ทิศทางลูกศรบนใบเลื่อย) ชี้ไปทางเดียวกับทิศทางของลูกศรบนกระบังป้องกันใบเลื่อย!**

ก่อนทำการติดตั้งให้ทำความสะอาดชิ้นส่วนที่จะติดตั้งทั้งหมด หากจำเป็น

- หมุนกระบังป้องกันใบเลื่อยชนิดชักกรนได้ (10) ไปด้านหลังและจับกระบังป้องกันใบเลื่อยชนิดชักกรนได้ไว้ในตำแหน่งนี้
- ประกอบใบเลื่อยใหม่เข้ากับหนาแปลนยึดด้านใน (53)

- โล้นนอตยึด (52) และสกรูหัวจุ่มทกเหลี่ยม (51) ถอดล็อกแกน (31) จนขมเข่าที่ และขันสกรูหัวจุ่มทกเหลี่ยมให้แน่นโดยหมุนในทิศทวนเข็มนาฬิกา
- เลื่อนกระบังป้องกันใบเลื่อยชนิดชักกรนได้ลงอย่างช้าๆ อีกครั้ง

#### การปฏิบัติงาน

- ▶ **โปรดถอดแบตเตอรี่แบบชาร์จได้ออกจากเครื่องมือไฟฟ้า ก่อนการทำงานทุกประเภทที่เครื่องมือไฟฟ้า (เช่น การบำรุงรักษา การเปลี่ยนเครื่องมือ เป็นต้น)** เนื่องจากการลัดวงจรงานสวิตช์เปิด/ปิดโดยไม่ตั้งใจขณะทำงานดังกล่าวอาจก่อให้เกิดความเสี่ยงต่อการบาดเจ็บได้

#### ล๊อคนิรภัยสำหรับขนย้าย (ดูภาพประกอบ E)

ล๊อคนิรภัยสำหรับขนย้าย (34) ทำให้สามารถจับถือเครื่องมือไฟฟ้าได้สะดวกเมื่อขนย้ายไปยังสถานที่ทำงานต่างๆ

#### การปลดเครื่อง (ตำแหน่งทำงาน)

- ดันแขนเครื่องมือตรงตามจับ (7) ลงเล็กน้อยเพื่อคลายล๊อคนิรภัยสำหรับขนย้าย (34)
- ดึงล๊อคนิรภัยสำหรับขนย้าย (34) ออกมาด้านนอกทั้งหมด
- เลื่อนแขนเครื่องมือขึ้นอย่างช้าๆ

#### การวัดเครื่อง (ตำแหน่งขนย้าย)

- คลายสกรูล๊อค (1) ออกหากหนีบอุปกรณ์สไลด์ (2) อยู่ ดึงแขนเครื่องมือไปทางด้านหลังจนสุด และขันสกรูล๊อคกลับเข้าที่ใหม่เพื่อล๊อคอุปกรณ์สไลด์
- ดึงก้านวัดความลึก (39) ขึ้น
- สำหรับการล๊อคโต๊ะเลื่อย (12) ให้ขันลูกบิดล๊อค (16) ให้แน่น
- หมุนแขนเครื่องมือตรงตามจับ (7) ลงด้านล่างจนสามารถถอดล๊อคนิรภัยสำหรับขนย้าย (34) เข้าด้านในจนสุด ตอนนี้แขนเครื่องมือถูกล๊อคอย่างแน่นหนาเพื่อการขนย้าย

#### การเตรียมการทำงาน

เพื่อให้แน่ใจว่าจะตัดชิ้นงานได้อย่างแม่นยำ หลังการใช้งานหนักท่านต้องตรวจสอบการปรับพื้นฐานของเครื่องมือไฟฟ้า และปรับตั้ง หากจำเป็น สำหรับเรื่องนี้ท่านต้องมีประสบการณ์และเครื่องมือพิเศษที่สอดคล้องกัน

ศูนย์บริการลูกค้า บอช  
ให้บริการบำรุงรักษาได้รวดเร็วและเชื่อถือได้

#### การขยายความยาว/การขยายความกว้างโต๊ะเลื่อย (ดูภาพประกอบ F-G)

ต้องหมุนส่วนปลายของชิ้นงานที่หนักและมีขนาดยาวที่ลอยอยู่

โต๊ะเลื่อยสามารถขยายความยาวไปทางซ้ายหรือทางขวาด้วย

- คลายสกรูหนีบ (22)
- ดึงส่วนขยายโต๊ะเลื่อย (23) ออกด้านนอกจนถึงความยาวที่ต้องการ
- สำหรับการตรึงส่วนขยายโต๊ะเลื่อย ให้ขันสกรูหนีบ (22) กลับเข้าที่แน่น

ระบบปลั๊กอินที่ยึดหุ่นของอุปกรณ์หมุนชิ้นงาน (24) ช่วยให้คุณขยายหรือขยายรูปแบบที่หลากหลาย

- เลียนอุปกรณ์หมุนชิ้นงาน (24) ส่วนรองรับ (47) ที่เครื่อง มือไฟฟ้าหรือในสวนรองรับ (48) ของอุปกรณ์หมุนชิ้นงาน ที่สอง

▶ **อย่าใช้เครื่องมือไฟฟ้าต่ออุปกรณ์หมุนชิ้นงาน ขนย้ายเครื่องมือไฟฟ้าด้วยอุปกรณ์สำหรับขนย้ายเท่านั้น**

**การเลื่อนแผ่นกัน (ดูภาพประกอบ H)**

เมื่อตัดมุมเอียงในแนวนอนและ/หรือแนวตั้ง ท่านต้องดึงแผ่นกันปรับได้ (26) ไปด้านนอกทางซ้ายหรือทางขวาขึ้นอยู่กับทิศทางการตัดหรือถอดออกไป

มุมเอียงในแนวตั้ง		มุมเอียงในแนว นอน
0°-22.5° (ซ้าย/ขวา)	> 0°	- คลายสลกรูล็อคซ้าย/ขวา (44) - ดึงแผ่นกันปรับได้ด้านขวาดึงแผ่นกันปรับได้ด้านซ้าย/ขวา (26) ออกมาด้านนอก ทั้งหมด
22.5°-47° (ซ้าย/ขวา)	≤ 48° (ซ้าย/ขวา)	- คลาย สลกรูล็อคด้านซ้าย/ขวา (44) - ดึงแผ่นกันปรับได้ด้านขวาดึงแผ่นกันปรับได้ด้านซ้าย/ขวา (26) ออกมาด้านนอก ทั้งหมด - ยกแผ่นกันปรับได้ออกทางด้านบน

**การหนีบชิ้นงาน (ดูภาพประกอบ I)**

เพื่อความปลอดภัยสูงสุดขณะทำงาน ต้องหนีบชิ้นงานให้แน่นเสมอ

อย่าเลื่อยชิ้นงานที่มีขนาดเล็กมากที่ยึดหนีบไม่ได้

- กดชิ้นงานเข้าหาแผ่นกัน (26) และ (25)
- ใส่แคลมป์ยึดวัสดุ (41) ที่จัดส่งมาเข้าในรู (42) ที่มีไว้สำหรับวัสดุประสงคนี้
- ปรับก้านหมุนเกลียว (40) ของแคลมป์ยึดวัสดุให้เข้ากับความสูงของชิ้นงาน
- ชันก้านหมุนเกลียว (40) ให้แน่น และด้วยเหตุนี้ชิ้นงานจึงถูกยึดแน่น

- เมื่อต้องการคลายคันทันปรับ (17) อีกครั้ง (เพื่อปรับมุมเอียงมาตรฐานในแนวนอน) ให้ดึงคันทันปรับขึ้น คลิปล็อค (15) ตีกลับไปที่ตำแหน่งเดิมอย่างรวดเร็ว และคันทันปรับ (17) สามารถขยับเข้าในช่องกัก (20) อีกครั้ง

**การปรับมุมเอียงในแนวตั้ง**

มุมเอียงในแนวตั้งสามารถปรับตั้งได้ในช่วงระหว่าง 47° (ด้านซ้าย) ถึง 47° (ด้านขวา)

ตำแหน่งที่แน่นอนสำหรับ 0°, 22.5° และ 45° ถูกจัดเตรียมไว้บนโต๊ะเลื่อยเพื่อให้สามารถปรับมุมเอียงในแนวตั้งที่ใช้กันทั่วไปได้อย่างรวดเร็วและแม่นยำ

- ตรวจสอบให้แน่ใจว่า ล็อหนีบ (45) ติดตั้งอยู่ (ดู "ติดตั้ง ล็อหนีบ (ดูภาพประกอบ A2)", หน้า 109)

**การปรับมุมเอียงในแนวนอน**

**การปรับมุมเอียงมาตรฐานในแนวนอน (ดูภาพประกอบ J) สำหรับการตั้งมุมเอียงในแนวนอนที่ใช้บ่อยให้ไวด่วนและแม่นยำให้ใช้ของกัก (20) ที่โต๊ะเลื่อย:**

ซ้าย	ขวา
	0°
45°; 30°; 22.5°; 15°	15°; 22.5°; 30°; 45°

- คลายลูกบิดล็อค (16) ออกหากถูกขันแน่น
- ดึงคันทันปรับ (17) และในเวลาเดียวกันคันทันคลิปล็อค (15) จนคลิปล็อคขบเข้าในร่องสำหรับวัสดุประสงคนี้ ในลักษณะนี้โต๊ะเลื่อยจะเคลื่อนได้อย่างอิสระ
- หมุนโต๊ะเลื่อย (12) ตรงลูกบิดล็อคไปทางซ้ายหรือทางขวาจนเข็มชี้มุม (58) แสดงมุมเอียงในแนวนอนที่ต้องการ
- ชันลูกบิดล็อค (16) กลับเข้าที่อีกครั้ง

**การปรับมุมเอียงมาตรฐานในแนวตั้ง (ดูภาพประกอบ L)**

- ดึงแผ่นกันแบบปรับได้ (26) ออกด้านนอกหรือถอดออกไป

- คลายล็อหนีบ (45)
- ดึงคันทันล็อค (46) ออกไปด้านนอกและล็อคในตำแหน่งล็ออิสระ ช่วยให้คุณสามารถปรับมุมเอียง (ซ้ายและขวา) ได้
- หมุนแขนเครื่องมือตรงตามจับ (7) ไปทางซ้ายหรือทางขวาจนเข็มชี้มุม (28) แสดงมาตราส่วนสำหรับมุมเอียงในแนวตั้งมาตรฐานที่ต้องการ
- หมุนคันทันล็อค (46) คันทันล็อคต้องล็อคเข้าในตำแหน่งมาตราส่วนสำหรับมุมเอียงมาตรฐานแนวตั้งที่ต้องการ
- ชันล็อหนีบ (45) กลับให้แน่นอีกครั้ง

**การปรับมุมเอียงในแนวนอนทั้งหมด (ดูภาพประกอบ K)**

มุมเอียงในแนวนอนสามารถปรับตั้งได้ในช่วงระหว่าง 48° (ด้านซ้าย) ถึง 48° (ด้านขวา)

- คลายลูกบิดล็อค (16) ออกหากถูกขันแน่น
- ดึงคันทันปรับ (17) และในเวลาเดียวกันคันทันคลิปล็อค (15) จนคลิปล็อคขบเข้าในร่องสำหรับวัสดุประสงคนี้ ในลักษณะนี้โต๊ะเลื่อยจะเคลื่อนได้อย่างอิสระ
- หมุนโต๊ะเลื่อย (12) ตรงลูกบิดล็อคไปทางซ้ายหรือทางขวาจนเข็มชี้มุม (58) แสดงมุมเอียงในแนวนอนที่ต้องการ
- ชันลูกบิดล็อค (16) กลับเข้าที่อีกครั้ง

**การปรับมุมเอียงในแนวตั้งทั้งหมด**

- ดึงแผ่นกันแบบปรับได้ (26) ออกด้านนอกหรือถอดออกไป

- คลายล็อหนีบ (45)
- ดึงคันทันล็อค (46) ออกไปด้านนอกและล็อคในตำแหน่งล็ออิสระ ช่วยให้คุณสามารถปรับมุมเอียง (ซ้ายและขวา) ได้
- หมุนแขนเครื่องมือตรงตามจับ (7) ไปทางซ้ายหรือทางขวาจนเข็มชี้มุม (28) แสดงมุมเอียงในแนวตั้งที่ต้องการ
- ชันล็อหนีบ (45) กลับให้แน่นอีกครั้ง

## การเริ่มต้นปฏิบัติงาน

- ▶ **ขันลูกบิดล็อก (16) และล้อหนีบ (45) เข้าให้แน่น** ก่อนเลือกเสมอ มิฉะนั้นใบเลื่อยอาจติดขัดในชิ้นงานได้

## เปิดสวิตช์ (ดูภาพประกอบ M)

- สำหรับการเปิดสวิตช์เครื่องมือไฟฟ้า ในเบื้องต้นให้เลื่อนปุ่มล็อก (5) ไปตรงกลาง จากนั้น โทคอสวิตช์เปิด-ปิด (6) และกดค้างไว้

**หมายเหตุ:** ด้วยเหตุผลด้านความปลอดภัย จึงไม่สามารถล็อกสวิตช์เปิด-ปิด (6) ได้ จะต้องกดสวิตช์เปิด-ปิดตลอดเวลาปฏิบัติงาน

## ปิดสวิตช์

- เมื่อต้องการปิดสวิตช์ให้ปล่อยนิ้วจากสวิตช์เปิด-ปิด (6)

## การเลื่อย

### คำแนะนำทั่วไปสำหรับการเลื่อย

- ▶ **ขันลูกบิดล็อก (16) และล้อหนีบ (45) เข้าให้แน่น** ก่อนเลือกเสมอ มิฉะนั้นใบเลื่อยอาจติดขัดในชิ้นงานได้
- ▶ **สำหรับการตัดทุกครั้ง ก่อนยื่นตัดทงให้มั่นใจว่าใบเลื่อยจะไม่ไปสัมผัสกับแผ่นกัน แคลมป์ยึดวัสดุ หรือส่วนอื่นๆ ของเครื่องมือทุกเวลา นำตัวหยุดเสริมใดๆ ที่ติดตั้งออกไปหรือปรับรับให้เหมาะสม**

ป้องกันใบเลื่อยไม่ให้ถูกกระทบกระแทก อย่างกดใบเลื่อยลงทางดานข้าง เลื่อยเฉพาะวัสดุที่ได้รับอนุญาตในประโยชน์การใช้งานของเครื่องเท่านั้น

อย่าเลื่อยชิ้นงานที่บิดเบี้ยว ชิ้นงานต้องมีขอบตรงเสมอเพราะต้องประกบกับแผ่นกัน ต้องหมุนส่วนปลายของชิ้นงานที่หนักและมีขนาดยาวที่ลอยอยู่ ตรวจสอบให้แน่ใจว่ากระบังป้องกันใบเลื่อยชนิดชักกรันได้ทำงานอย่างถูกต้องและเคลื่อนไหวไปมาได้อย่างอิสระ เมื่อเลื่อนแขนเครื่องมือลง กระบังป้องกันใบเลื่อยชนิดชักกรันได้ต้องเปิด เมื่อเลื่อนแขนเครื่องมือขึ้น กระบังป้องกันใบเลื่อยชนิดชักกรันได้ต้องปิดครอบใบเลื่อยอีกครั้ง และล็อกอยู่ในตำแหน่งบนสุดของแขนเครื่องมือ

### ตำแหน่งผู้ใช้งานเครื่อง (ดูภาพประกอบ N)

- ▶ **อย่ายืนในแนวเดียวกับใบเลื่อยตรงหน้าเครื่อง ต้องยืนเฉียงไปทางด้านข้างใบเลื่อยเสมอ** ในลักษณะนี้ร่างกายของท่านจะได้รับการปกป้องจากการตีกลับที่อาจเกิดขึ้น

- เอามือ นิ้ว และแขนออกห่างจากใบเลื่อยที่กำลังหมุน
- อย่าไขว้มือของท่านตรงด้านหน้าแขนเครื่องมือ

## การเลื่อยแบบสไลด์

- สำหรับการตัดแบบสไลด์ (2) (ชิ้นงานกว้าง) ให้คลายสกรูล็อก (1) ออกหากถูกขันแน่น
- ปรับตั้งมุมเอียงในแนวนอนและ/หรือแนวตั้งที่ต้องการ หากจำเป็น
- กดชิ้นงานเข้าหาแผ่นกัน (25) และ (26) อย่างมั่นคง
- หนีบชิ้นงานตามขนาดของชิ้นงานให้แน่น
- ดึงแขนเครื่องมือออกจากแผ่นกัน (25) จนใบเลื่อยอยู่ด้านหน้าชิ้นงาน
- เปิดสวิตช์เครื่องมือไฟฟ้า

- เลื่อนแขนเครื่องมือพร้อมทั้งด้ามจับ (7) ลงอย่างช้าๆ
- จากนั้นให้คืนแขนเครื่องมือไปในทิศทางแผ่นกัน (25) และ (26) และเลื่อยผ่านชิ้นงานด้วยอัตราป้อนคงที่
- ปิดสวิตช์เครื่องมือไฟฟ้า และรอจนใบเลื่อยหยุดสนิท
- เลื่อนแขนเครื่องมือขึ้นอย่างช้าๆ

## การเลื่อยแบบไมล์โลด (การตัดออก) (ดูภาพประกอบ O)

- สำหรับการตัดแบบไมล์โลด (ชิ้นงานขนาดเล็ก) ให้คลายสกรูล็อก (1) ออกหากถูกขันแน่น เลื่อนแขนเครื่องมือไปจนสุดในทิศทางแผ่นกัน (25) และขันลูกบิดล็อก (1) กลับเข้าที่อีกครั้ง
- ปรับตั้งมุมเอียงในแนวนอนและ/หรือแนวตั้งที่ต้องการ หากจำเป็น
- กดชิ้นงานเข้าหาแผ่นกัน (25) และ (26) อย่างมั่นคง
- หนีบชิ้นงานตามขนาดของชิ้นงานให้แน่น
- เปิดสวิตช์เครื่องมือไฟฟ้า
- เลื่อนแขนเครื่องมือตรงตามจับ (7) ลงอย่างช้าๆ
- เลื่อยผ่านชิ้นงานด้วยอัตราป้อนคงที่
- ปิดสวิตช์เครื่องมือไฟฟ้า และรอจนใบเลื่อยหยุดสนิท
- เลื่อนแขนเครื่องมือขึ้นอย่างช้าๆ

## ข้อแนะนำในการทำงาน

### การทำเครื่องหมายเส้นตัด (ดูภาพประกอบ P)

ลำแสงเลเซอร์สองลำแสดงแนวตัดของใบเลื่อย ในลักษณะนี้จะช่วยให้ท่านสามารถวางตำแหน่งชิ้นงานเพื่อทำการเลื่อยได้อย่างถูกต้องแม่นยำโดยไม่ต้องเปิดกระบังป้องกันใบเลื่อยชนิดชักกรันได้

- เปิดลำแสงเลเซอร์โดยกดสวิตช์เปิด-ปิด (6) สั้นๆ โดยไม่ต้องกดปุ่มล็อก (5)
- จัดแนวเครื่องหมายของท่านบนชิ้นงานระหว่างเส้นเลเซอร์ทั้งสอง

**หมายเหตุ:** ก่อนทำการเลื่อยให้ตรวจสอบว่าเส้นตัดยังคงแสดงให้เห็นอย่างถูกต้องหรือไม่ (ดู "การปรับเลเซอร์", หน้า 113) ลำแสงเลเซอร์อาจเลื่อนจากตำแหน่ง ต. ย. เช่น เนื่องจากการสั่นสะเทือนจากการใช้งานหนัก

### ขนาดชิ้นงานที่อนุญาต

ชิ้นงานสูงสุด:

มุมเอียงในแนว นอน	มุมเอียงในแนวตั้ง	ความสูง x ความ กว้าง [มม.]
0°	0°	70 x 305
45° (ซ้าย/ขวา)	0°	70 x 215
45° (ซ้าย)	45° (ซ้าย)	42 x 215
45° (ขวา)	45° (ขวา)	20 x 215
0°	45° (ซ้าย)	42 x 305
0°	45° (ขวา)	20 x 305

ขนาดชิ้นงานต่ำสุด (= ชิ้นงานทั้งหมดที่สามารถหนีบเข้าทางซ้ายหรือทางขวาจากใบเลื่อยด้วยแคลมป์ยึดวัสดุ (41) ที่จัดส่งมา): 100 x 40 มม. (ความยาว x ความกว้าง)

ความลึกการตัดสูงสุด (0°/0°): 70 มม.



### การปรับก้านวัดความลึก (การเลื่อยเซาะร่อง) (รูปภาพประกอบ Q)

ต้องปรับก้านวัดความลึกเมื่อต้องการเลื่อยเซาะร่อง

- หมุนก้านวัดความลึก (39) ไปทางด้านหน้า
- หมุนแขนเครื่องมือตรงตามจับ (7) ไปยังตำแหน่งที่ต้องการ
- หมุนสกรูปรับ (38) จนปลายสกรูสัมผัสก้านวัดความลึก (39)
- เลื่อนแขนเครื่องมือขึ้นอย่างช้าๆ

### การเลื่อยชิ้นงานยาวเท่ากัน (รูปภาพประกอบ R)

ท่านสามารถใช้ก้านหยุดความยาวด้านซ้ายและขวา (36) เพื่อเลื่อยชิ้นงานใหม่มีความยาวเท่ากันอย่างง่ายดาย

- หมุนก้านหยุดความยาว (36) ขึ้น
- ปรับส่วนขยายโต๊ะเลื่อย (23) บนความยาวชิ้นงานที่ต้องการ

### ชิ้นงานพิเศษ

เมื่อต้องการตัดชิ้นงานที่มีรูปทรงโค้งงอหรือทรงกลม ต้องยึดชิ้นงานเหล่านี้ให้แน่นเป็นพิเศษเพื่อการลื่นไหล ที่เส้นตัดต้องไม่มีช่องว่างระหว่างชิ้นงาน แผ่นกัน และโต๊ะเลื่อย จัดเตรียมอุปกรณ์ยึดจับพิเศษ หากจำเป็น

### การเปลี่ยนแผ่นสอ (รูปภาพประกอบ S)

แผ่นสอ (14) อาจสึกหรอหลังจากใช้งานเครื่องมือไฟฟ้าเป็นเวลานาน

เปลี่ยนแผ่นสอที่ชำรุด

- จัดเครื่องมือไฟฟ้าให้อยู่ในตำแหน่งทำงาน
- ชันสกรู (54) ออกด้วยไขควงปากแฉกที่มีจำหน่ายทั่วไป และถอดแผ่นสอเก่าออก (14)
- วางแผ่นสอใหม่เข้าและขันสกรู (54) ให้แน่นอีกครั้ง

### การปรับเลเซอร์

**หมายเหตุ:** เมื่อต้องการทดสอบการทำงานของเลเซอร์ ต้องเชื่อมต่อเครื่องมือไฟฟ้ากับแหล่งจ่ายกระแสไฟฟ้า

► **ในขณะที่ปรับเลเซอร์ (เช่น เมื่อเคลื่อนแขนเครื่องมือ) อย่ากดสวิตช์เปิด-ปิดอย่างเด็ดขาด** การตัดสินใจโดยไม่ได้ตั้งใจของเครื่องมือไฟฟ้าอาจทำให้เกิดเจ็บได้

- วางเครื่องมือในตำแหน่งทำงาน
- หมุนโต๊ะเลื่อย (12) ไปจนถึงช่องกัก (20) สำหรับ 0° คันปรับ (17) ต้องขบเขาในช่องกักอย่างรู้สึกได้

เพื่อให้แน่ใจว่าจะตัดชิ้นงานได้อย่างแม่นยำ หลังการใช้งานหนักท่านต้องตรวจสอบลำแสงเลเซอร์และปรับตั้งใหม่ หากจำเป็น

สำหรับเรื่องนี้ท่านต้องมีประสบการณ์และเครื่องมือพิเศษที่สอดคล้องกัน

ศูนย์บริการลูกค้า บอช  
ให้บริการบำรุงรักษาไคววคเร็วและเชื่อถือได้

### การตรวจสอบ (รูปภาพประกอบ T1)

- วาดเส้นตัดตรงบนชิ้นงาน
- เลื่อนแขนเครื่องมือพร้อมด้ามจับ (7) ลงอย่างช้าๆ
- จัดตำแหน่งชิ้นงานในลักษณะให้พื้นของใบเลื่อยอยู่ตรงแนวกับเส้นตัด
- จับชิ้นงานไว้บนตำแหน่งนี้ให้แน่นและเลื่อนแขนเครื่องมือขึ้นอย่างช้าๆ อีกครั้ง

- หมียชิ้นงานให้แน่น
- เปิดลำแสงเลเซอร์โดยกดสวิตช์ (6) โดยไม่ต้องกดปุ่มล็อค (5)

ลำแสงเลเซอร์ต้องมีระยะช่องว่างเดียวกันไปยังเส้นตัดที่วาดไว้บนชิ้นงานตลอดความยาวทั้งหมดทั้งทางซ้ายและทางขวา เมื่อเลื่อนแขนเครื่องมือลง

### การถอดฝาครอบป้องกันเลเซอร์ (รูปภาพประกอบ T2)

- คลายสกรูสองตัว (55) ของฝาครอบป้องกันเลเซอร์ (8) ออกด้วยประแจขันทุกเหลี่ยม/ไขควงรอง (43) และถอดฝาครอบป้องกันเลเซอร์

### การปรับส่วนเบี่ยงเบนด้านข้างเมื่อเคลื่อนแขนเครื่องมือ (รูปภาพประกอบ T3-T4)

- คลายสกรูยึด (56) (ประมาณ 1-2 รอบหมุน) อยาชันสกรูออกจนสุด
- เลื่อนฝาครอบของเลเซอร์ (57) ไปทางขวาหรือทางซ้ายจนลำแสงเลเซอร์ไม่เบี่ยงเบนไปด้านข้างอีก เมื่อเลื่อนแขนเครื่องมือลง
- จับฝาครอบของเลเซอร์ (57) ไว้ในตำแหน่งนี้ และขันสกรูยึด (56) กลับเข้าให้แน่นอีกครั้ง
- ยึดฝาครอบป้องกันเลเซอร์ (8) กลับเข้าที่อีกครั้ง

### การตรวจสอบและปรับตั้งการปรับพื้นฐาน

เพื่อให้แน่ใจว่าจะตัดชิ้นงานได้อย่างแม่นยำ หลังการใช้งานหนักท่านต้องตรวจสอบการปรับพื้นฐานของเครื่องมือไฟฟ้าและปรับตั้ง หากจำเป็น

สำหรับเรื่องนี้ท่านต้องมีประสบการณ์และเครื่องมือพิเศษที่สอดคล้องกัน

ศูนย์บริการลูกค้า บอช  
ให้บริการบำรุงรักษาไคววคเร็วและเชื่อถือได้

### การจัดแนวเข็มชี้มุม (แนวนอน) (รูปภาพประกอบ U)

- วางเครื่องมือในตำแหน่งทำงาน
- หมุนโต๊ะเลื่อย (12) ไปจนถึงช่องกัก (20) สำหรับ 0° คันปรับ (17) ต้องขบเขาในช่องกักอย่างรู้สึกได้

### การตรวจสอบ

เข็มชี้มุม (58) ต้องอยู่ในแนวเส้นขีด 0° ของมาตราส่วน (21)

### การปรับ

- คลายสกรู (59) โดยใช้ไขควงปากแฉกที่มีจำหน่ายทั่วไป และวางแนวเข็มชี้มุมเทียบกับเส้นขีด 0°
- ชันสกรูกลับให้แน่นอีกครั้ง

### การจัดแนวเข็มชี้มุม (แนวตั้ง) (รูปภาพประกอบ V)

- จัดเครื่องมือไฟฟ้าให้อยู่ในตำแหน่งทำงาน
- คลายล้อหนีบ (45)
- ดึงคันล็อค (46) ออกทางด้านนอกและปรับมาตราส่วนสำหรับมุมเอียงให้อยู่ที่ 0° ด้วยแขนเครื่องมือ
- ปลอยคันล็อค (46) คันล็อคต้องล็อคเข้าในตำแหน่งโดยสัมผัสได้
- ชันล้อหนีบ (45) กลับให้แน่นอีกครั้ง

### การตรวจสอบ

เข็มชี้มุม (28) ต้องอยู่ในแนวเส้นขีด 0° ของมาตราส่วน (27)

**การปรับ**

- คลายสกรู (60) โดยไขไขควงปากแฉกที่มีจำหน่ายทั่วไป และวางแนวเข็มชี้มุมเทียบกับเส้นขีด 0°
- ชันสกรูลึกลับเข้าให้แน่น

**การขนส่งเครื่องมือไฟฟ้า (ดูภาพประกอบ W)**

▶ **โปรดถอดแบตเตอรี่แบบชาร์จได้ออกจากเครื่องมือไฟฟ้าก่อนการทำงานทุกประเภทที่เครื่องมือไฟฟ้า (เช่น การบำรุงรักษา การเปลี่ยนเครื่องมือ เป็นต้น) เนื่องจากการทำงานสวิตช์เปิด/ปิดโดยไม่ตั้งใจขณะทำงานดังกล่าวอาจก่อให้เกิดความเสี่ยงต่อการบาดเจ็บได้**

ก่อนขนย้ายเครื่องมือไฟฟ้าต้องทำตามขั้นตอนต่อไปนี้:

- คลายสกรูล็อคออก (1) หากถูกขันแน่น ดึงแขนเครื่องมือไปทางด้านหน้าจนสุด และขันสกรูล็อคกลับให้แน่นอีกครั้ง
- ตรวจสอบให้แน่ใจว่าก้านวัดความลึก (39) เลื่อนไปทางด้านหลังและสกรูปรับ (38) ไม่สัมผัสกับแขนเครื่องมือเมื่อเคลื่อนไหว
- จัดเครื่องมือไฟฟ้าให้อยู่ในตำแหน่งขนย้าย
- ถอดอุปกรณ์ประกอบทั้งหมดที่ไม่สามารถติดตั้งกับเครื่องมือไฟฟ้าได้อย่างแน่นอน หากเป็นไปได้ให้ขนย้ายไปเรื่อยๆ ไม่ไขงาจนเกินไปในภาชนะบรรจุที่ปิดฝา
- ดึงคันจับขนย้าย (3) ให้ออก
- ยกจับเครื่องมือไฟฟ้าตรงคันจับขนย้าย (3) หรือจับตรงตามจับว่า (61) ที่ด้านข้างของโต๊ะเลื่อย
- ▶ **เมื่อขนย้ายเครื่องมือไฟฟ้า ให้ยกจับที่อุปกรณ์สำหรับขนย้ายเท่านั้น และอย่ายกจับที่อุปกรณ์ป้องกันอันตรายหรืออุปกรณ์หมุนขึ้นงานอย่างเด็ดขาด**

**การบำรุงรักษาและการบริการ****การบำรุงรักษาและการทำความสะอาด**

▶ **โปรดถอดแบตเตอรี่แบบชาร์จได้ออกจากเครื่องมือไฟฟ้าก่อนการทำงานทุกประเภทที่เครื่องมือไฟฟ้า (เช่น การบำรุงรักษา การเปลี่ยนเครื่องมือ เป็นต้น) เนื่องจากการทำงานสวิตช์เปิด/ปิดโดยไม่ตั้งใจขณะทำงานดังกล่าวอาจก่อให้เกิดความเสี่ยงต่อการบาดเจ็บได้**

▶ **เพื่อให้ทำงานได้อย่างถูกต้องและปลอดภัย ต้องรักษาเครื่องและช่องระบายอากาศให้สะอาดอยู่เสมอ**

กระบังป้องกันใบเลื่อยชนิดซี่กรันต้องเคลื่อนไหวไปมาได้อย่างอิสระและระมัดระวังโดยอัตโนมัติตลอดเวลา ดังนั้นต้องรักษาบริเวณรอบๆ กระบังป้องกันใบเลื่อยชนิดซี่กรันให้สะอาดอยู่เสมอ

หลังเสร็จงานทุกครั้ง ให้เอาฟุ้ง

ฝุ่นและเศษออกโดยเป่าด้วยอากาศอัดหรือใช้แปรงขัด

ทำความสะอาดลูกกลิ้งเป็นประจำ (11)

**มาตรการลดเสียงรบกวน**

มาตรการโดยผู้ผลิต:

- การลดการสั่นสะเทือน
- การส่งมอบพร้อมใบเลื่อยที่พัฒนาขึ้นเป็นพิเศษสำหรับลดเสียงรบกวน

มาตรการโดยผู้ใช้:

- การติดตั้งแบบให้มีการสั่นสะเทือนน้อยบนพื้นผิวทำงานที่มั่นคง
- การใช้ใบเลื่อยที่มีคุณสมบัติลดเสียงรบกวน
- การทำความสะอาดใบเลื่อยและเครื่องมือไฟฟ้าเป็นประจำ

**การบริการหลังการขายและการให้คำปรึกษาการใช้งาน**

ศูนย์บริการหลังการขายของเรายินดีตอบคำถามของท่านที่เกี่ยวกับการบำรุงรักษาและการซ่อมแซมผลิตภัณฑ์รวมทั้งเรื่องอะไหล่ ภาพเขียนแบบการประกอบและข้อมูลเกี่ยวกับอะไหล่ กรุณาดูใน: [www.bosch-pt.com](http://www.bosch-pt.com)

ทีมงานที่ปรึกษาของ บอช ยินดีให้ข้อมูลเกี่ยวกับผลิตภัณฑ์ของเราและอุปกรณ์ประกอบต่างๆ

เมื่อต้องการสอบถามและสั่งซื้ออะไหล่ กรุณาแจ้งหมายเลขสินค้า 10 หลักบนแผ่นป้ายรุ่นของผลิตภัณฑ์ทุกครั้ง

**ไทย**

ไทย บริษัท โรเบิร์ต บอช จำกัด  
เอพวายโอ เซ็นเตอร์ อาคาร 1 ชั้น 5

เลขที่ 2525 ถนนพระราม 4  
แขวงคลองเตย เขตคลองเตย กรุงเทพฯ 10110

โทร: +66 2012 8888

แฟกซ์: +66 2064 5800

[www.bosch.co.th](http://www.bosch.co.th)

ศูนย์บริการซ่อมและฝึกอบรม บอช

อาคาร ลาซาลทาวเวอร์ ชั้น G ห้องเลขที่ 2

บ้านเลขที่ 10/11 หมู่ 16

ถนนศรีนครินทร์ ตำบลบางแก้ว อำเภอบางพลี

จังหวัดสมุทรปราการ 10540

ประเทศไทย

โทรศัพท์ 02 7587555

โทรสาร 02 7587525

สามารถดูที่อยู่ศูนย์บริการอื่นๆ ได้ที่:

[www.bosch-pt.com/serviceaddresses](http://www.bosch-pt.com/serviceaddresses)

**การขนส่ง**

แบตเตอรี่ลิเธียมไอออนที่แนะนำให้ใช้ อยู่ภายใต้

ข้อกำหนดแห่งกฎหมายสินค้าอันตราย ผู้ใช้สามารถขนส่งแบตเตอรี่แบบชาร์จได้บนเส้นทางถนนโดยไม่มีข้อบังคับเพิ่มเติม

สำหรับการจัดส่งโดยบุคคลที่สาม (เช่น: การขนส่งทางอากาศหรือตัวแทนขนส่งสินค้า) จำเป็นต้องปฏิบัติตามข้อกำหนดพิเศษเกี่ยวกับการบรรจุภัณฑ์และการติดฉลากสำหรับการจัดเตรียมสิ่งของที่จะจัดส่ง จำเป็นต้องปรึกษาผู้เชี่ยวชาญด้านวัตถุอันตราย

ส่งแบตเตอรี่แพ็คเมื่อตัวหุ้มไม่ชำรุดเสียหายเท่านั้น ใช้แถบกาวยึดเหนี่ยวลึกลับที่เปิดอยู่ และนำแบตเตอรี่แพ็คใส่กล่องบรรจุโดยไม่ให้เคลื่อนไปมาในกล่องได้ นอกจากนี้ กรุณาปฏิบัติตามกฎระเบียบของประเทศซึ่งอาจมีรายละเอียดเพิ่มเติม

**การกำจัดขยะ**

เครื่องมือไฟฟ้า แบตเตอรี่แพ็ค อุปกรณ์ประกอบ และหีบห่อ ต้องนำ

ไปแยกประเภทวัสดุเพื่อนำกลับมาใช้ใหม่โดยไม่ทำลายสภาพแวดล้อม



อย่าทิ้งเครื่องมือไฟฟ้าและแบตเตอรี่แพ็ค/แบตเตอรี่ที่นำกลับมาชาร์จใหม่ได้ ลงในขยะบ้าน!

**แบตเตอรี่แพ็ค/แบตเตอรี่:****ลิเธียม ไอออน:**

กรุณาปฏิบัติตามคำแนะนำในบทการขนส่ง (ดู "การขนส่ง", หน้า 114)

**Bahasa Indonesia****Petunjuk Keselamatan****Petunjuk Keselamatan Umum Perkakas Listrik****⚠ PERINGATAN** Baca semua peringatan, petunjuk, ilustrasi, dan spesifikasi

keselamatan yang diberikan bersama perkakas listrik ini. Kesalahan dalam menjalankan petunjuk di bawah ini dapat mengakibatkan sengatan listrik, kebakaran, dan/atau cedera serius.

**Simpanlah semua peringatan dan petunjuk untuk penggunaan di masa mendatang.**

Istilah "perkakas listrik" dalam peringatan mengacu pada perkakas listrik yang dioperasikan dengan listrik (menggunakan kabel) atau perkakas listrik yang dioperasikan dengan baterai (tanpa kabel).

**Keamanan tempat kerja**

- ▶ **Jaga kebersihan dan pencahayaan area kerja.** Area yang berantakan atau gelap dapat memicu kecelakaan.
- ▶ **Jangan mengoperasikan perkakas listrik di lingkungan yang dapat memicu ledakan, seperti adanya cairan, gas, atau debu yang mudah terbakar.** Perkakas listrik dapat memancarkan bunga api yang kemudian mengakibatkan debu atau uap terbakar.
- ▶ **Jauhkan dari jangkauan anak-anak dan pengamat saat mengoperasikan perkakas listrik.** Gangguan dapat menyebabkan hilangnya kendali.

**Keamanan listrik**

- ▶ **Steker perkakas listrik harus sesuai dengan stopkontak.** Jangan pernah memodifikasi steker. Jangan menggunakan steker adaptor bersama dengan perkakas listrik yang terhubung dengan sistem grounding. Steker yang tidak dimodifikasi dan stopkontak yang cocok akan mengurangi risiko sengatan listrik.

- ▶ **Hindari kontak badan dengan permukaan yang terhubung dengan sistem grounding, seperti pipa, radiator, kompor, dan lemari es.** Terdapat peningkatan risiko terjadinya sengatan listrik jika badan Anda terhubung dengan sistem grounding.
- ▶ **Perkakas listrik tidak boleh terpapar hujan atau basah.** Air yang masuk ke dalam perkakas listrik menambah risiko terjadinya sengatan listrik.
- ▶ **Jangan menyalahgunakan kabel. Jangan gunakan kabel untuk membawa, menarik, atau melepas steker perkakas listrik. Jauhkan kabel dari panas, minyak, tepi yang tajam, atau komponen yang bergerak.** Kabel listrik yang rusak atau tersangkut menambah risiko terjadinya sengatan listrik.
- ▶ **Saat mengoperasikan perkakas listrik di luar ruangan, gunakan kabel ekstensi yang sesuai untuk penggunaan di luar ruangan.** Penggunaan kabel yang cocok untuk pemakaian di luar ruangan mengurangi risiko terjadinya sengatan listrik.
- ▶ **Jika perkakas listrik memang harus dioperasikan di tempat yang lembap, gunakan pemutus arus listrik residu (RCD).** Penggunaan RCD akan mengurangi risiko terjadinya sengatan listrik.

**Keselamatan personel**

- ▶ **Tetap waspada, perhatikan aktivitas yang sedang dikerjakan dan gunakan akal sehat saat mengoperasikan perkakas listrik. Jangan gunakan perkakas listrik saat mengalami kelelahan atau di bawah pengaruh narkoba, alkohol, atau obat-obatan.** Jika perkakas listrik dioperasikan dengan daya konsentrasi yang rendah, hal tersebut dapat menyebabkan cedera serius.
- ▶ **Gunakan peralatan pelindung diri. Selalu kenakan pelindung mata.** Penggunaan perlengkapan pelindung seperti penutup telinga, helm, sepatu anti licin, dan masker debu akan mengurangi cedera.
- ▶ **Hindari start yang tidak disengaja. Pastikan switch berada di posisi off sebelum perkakas listrik dihubungkan ke sumber daya listrik dan/atau baterai, diangkat, atau dibawa.** Membawa perkakas listrik dengan jari menempel pada tombol atau perkakas listrik dalam keadaan hidup dapat memicu kecelakaan.
- ▶ **Singkirkan kunci penyatel atau kunci pas sebelum menghidupkan perkakas listrik.** Perkakas atau kunci pas yang masih menempel pada komponen perkakas listrik yang berputar dapat menyebabkan cedera.
- ▶ **Jangan melampaui batas. Berdirilah secara mantap dan selalu jaga keseimbangan.** Hal ini akan memberikan kontrol yang lebih baik terhadap perkakas listrik pada situasi yang tak terduga.
- ▶ **Kenakan pakaian dengan wajar. Jangan mengenakan perhiasan atau pakaian yang longgar. Jauhkan rambut dan pakaian dari komponen yang bergerak.** Pakaian yang longgar, rambut panjang, atau perhiasan dapat tersangkut dalam komponen yang bergerak.

- ▶ **Jika disediakan perangkat untuk sambungan pengisapan debu dan alat pengumpulan, pastikan perangkat tersebut terhubung dan digunakan dengan benar.** Penggunaan alat pengumpulan dapat mengurangi bahaya yang disebabkan oleh debu.
- ▶ **Jangan berpuas diri dan mengabaikan prinsip keselamatan karena terbiasa mengoperasikan perkakas.** Tindakan yang kurang hati-hati dapat mengakibatkan cedera serius dalam waktu sepersekian detik.

#### Penggunaan dan pemeliharaan perkakas listrik

- ▶ **Jangan memaksakan perkakas listrik. Gunakan perkakas listrik yang sesuai untuk pekerjaan yang dilakukan.** Perkakas listrik yang sesuai akan bekerja dengan lebih baik dan aman sesuai tujuan penggunaan.
- ▶ **Jangan gunakan perkakas listrik dengan switch yang tidak dapat dioperasikan.** Perkakas listrik yang switchnya yang tidak berfungsi dapat menimbulkan bahaya dan harus diperbaiki.
- ▶ **Lepaskan steker dari sumber listrik dan/atau lepas baterai, jika dapat dilepaskan dari perkakas listrik sebelum menyetel, mengganti aksesoris, atau menyimpan perkakas listrik.** Tindakan preventif akan mengurangi risiko menghidupkan perkakas listrik secara tidak disengaja.
- ▶ **Jauhkan dan simpan perkakas listrik dari jangkauan anak-anak dan jangan biarkan orang-orang yang tidak mengetahui cara menggunakan perkakas listrik, mengoperasikan perkakas listrik.** Perkakas listrik dapat membahayakan jika digunakan oleh orang-orang yang tidak terlatih.
- ▶ **Lakukan pemeliharaan perkakas listrik dan aksesoris. Periksa komponen yang bergerak apabila tidak lurus atau terikat, kerusakan komponen, dan kondisi lain yang dapat mengganggu pengoperasian perkakas listrik. Apabila rusak, perbaiki perkakas listrik sebelum digunakan.** Kecelakaan sering terjadi karena perkakas listrik tidak dirawat dengan baik.
- ▶ **Jaga ketajaman dan kebersihan alat.** Alat pemotong dengan pisau pemotong yang tajam dan dirawat dengan baik tidak akan mudah tersangkut dan lebih mudah dikendalikan.
- ▶ **Gunakan perkakas listrik, aksesoris, dan komponen perkakas dll sesuai dengan petunjuk ini, dengan mempertimbangkan kondisi kerja dan pekerjaan yang akan dilakukan.** Penggunaan perkakas listrik untuk tujuan berbeda dari fungsinya dapat menyebabkan situasi yang berbahaya.
- ▶ **Jaga gagang dan permukaan genggam agar tetap kering, bersih, dan bebas dari minyak dan lemak.** Gagang dan permukaan genggam yang licin tidak menjamin keamanan kerja dan kontrol alat yang baik pada situasi yang tidak terduga.

#### Penggunaan dan pemeliharaan perkakas baterai

- ▶ **Isi ulang daya hanya dengan pengisi daya yang ditentukan oleh produsen.** Pengisi daya yang sesuai

untuk satu jenis set baterai dapat menyebabkan risiko kebakaran apabila digunakan dengan set baterai lain.

- ▶ **Hanya gunakan perkakas listrik dengan set baterai yang dirancang khusus.** Penggunaan set baterai lain dapat menyebabkan risiko cedera dan kebakaran.
- ▶ **Apabila set baterai tidak digunakan, jauhkan dari benda logam lainnya, seperti klip kertas, koin, kunci, paku, sekrup, atau benda logam kecil lainnya yang dapat membuat sambungan dari satu terminal ke terminal lainnya.** Memendekkan terminal baterai dapat menyebabkan kebakaran atau api.
- ▶ **Cairan dapat keluar dari baterai jika baterai tidak digunakan dengan benar; hindari kontak. Jika terjadi kontak secara tidak disengaja, bilas dengan air. Jika cairan mengenai mata, segera hubungi bantuan medis.** Cairan yang keluar dari baterai dapat menyebabkan iritasi atau luka bakar.
- ▶ **Jangan gunakan set baterai atau perkakas yang rusak atau telah dimodifikasi.** Baterai yang rusak atau telah dimodifikasi dapat menimbulkan kejadian yang tak terduga seperti kebakaran, ledakan, atau risiko cedera.
- ▶ **Jangan meletakkan set baterai atau perkakas di dekat api atau suhu tinggi.** Paparan terhadap api atau suhu di atas 130 °C dapat memicu ledakan.
- ▶ **Ikuti semua petunjuk pengisian daya dan jangan mengisi daya set baterai atau perkakas di luar rentang suhu yang ditentukan dalam petunjuk.** Pengisian daya yang tidak tepat atau di luar rentang suhu yang ditentukan dapat merusak baterai dan meningkatkan risiko kebakaran.



#### Servis

- ▶ **Minta teknisi berkualifikasi untuk menyervis perkakas listrik dengan hanya menggunakan suku cadang yang identik.** Dengan demikian, hal ini akan memastikan keamanan perkakas listrik.
- ▶ **Jangan pernah melakukan servis pada baterai yang telah rusak.** Servis baterai hanya boleh dilakukan oleh produsen atau penyedia servis resmi.

#### Petunjuk Keselamatan untuk Gergaji Miter (Mitre Saw)

- ▶ **Gergaji miter ditujukan untuk memotong kayu atau produk berbahan sejenis kayu. Gergaji ini tidak dapat digunakan dengan cakram pemotong abrasif untuk memotong material dari besi seperti batang, tongkat, tiang, dll.** Debu abrasif menyebabkan komponen yang bergerak, seperti pelindung bagian bawah, menjadi tersendat. Percikan api dari pemotongan abrasif akan membakar pelindung bawah, sisipan kerf dan bagian berbahan plastik lainnya.
- ▶ **Jika mungkin, gunakan penjepit untuk menyokong benda kerja. Jika benda kerja dipegang dengan tangan, Anda harus selalu menjaga jarak tangan Anda setidaknya 100 mm dari masing-masing bilah gergaji. Jangan menggunakan gergaji ini untuk memotong benda yang terlalu kecil meski dijepit dengan aman**

- atau dipegang dengan tangan. Jika tangan berada terlalu dekat dengan bilah gergaji, akan terdapat risiko cedera yang lebih tinggi karena kontak dengan bilah.
- ▶ **Benda kerja harus dalam keadaan tidak bergerak dan dijepit atau dipegang dengan ditekan ke pelindung dan ke meja. Jangan mengumpangkan benda kerja secara bebas ke bilah atau memotong dengan tangan kosong dengan cara apa pun.** Benda kerja yang bebas atau bergerak dapat terlempar dengan kecepatan tinggi, dan menyebabkan cedera.
  - ▶ **Tekan gergaji dengan mendorongnya ke benda kerja. Jangan memotong dengan menarik gergaji pada benda kerja. Untuk memotong, angkat kepala gergaji dan tarik keluar ke atas benda kerja tanpa memotongnya, lalu hidupkan mesin, tekan kepala gergaji ke bawah dan kemudian dorong sambil menekan gergaji ke benda kerja.** Memotong dengan pull stroke (menarik gergaji sambil ditekan ke benda kerja) dapat menyebabkan bilah gergaji naik ke atas benda kerja dan rakitan bilah terlempar dengan keras ke arah operator.
  - ▶ **Jangan pernah menyalangkan tangan pada garis yang hendak dipotong baik di depan maupun di belakang bilah gergaji.** Memegang benda kerja dengan "tangan menyalang" yaitu memegang benda kerja di sebelah kanan bilah gergaji dengan tangan kiri, atau sebaliknya, sangatlah berbahaya.
  - ▶ **Jangan mencoba meraih ke belakang pelindung kurang dari 100 mm dari masing-masing bilah gergaji dengan tangan, guna melepaskan potongan kayu, atau karena alasan lainnya saat bilah sedang berputar.** Jarak bilah gergaji yang berputar ke tangan dapat menjadi tidak mudah terlihat dan dapat menyebabkan cedera serius.
  - ▶ **Teliti benda kerja sebelum memotong. Jika benda kerja bengkok atau melengkung, jepitlah dengan bagian luar yang melengkung menghadap ke pelindung. Selalu pastikan bahwa tidak terdapat celah antara benda kerja, pelindung dan meja sepanjang garis pemotongan.** Benda kerja yang bengkok atau melengkung dapat berputar atau bergeser dan dapat menyebabkan lilitan pada bilah gergaji yang berputar saat pemotongan. Tidak boleh terdapat paku atau benda asing di dalam benda kerja.
  - ▶ **Jangan gunakan gergaji sampai meja bebas dari semua peralatan, potongan kayu, dll. selain benda kerja.** Puing-puing kecil atau potongan-potongan kayu yang terlepas atau objek lainnya yang mengenai bilah yang berputar dapat terlempar dengan kecepatan tinggi.
  - ▶ **Potonglah hanya satu benda kerja dalam satu waktu.** Benda kerja yang ditumpuk tidak dapat dijepit atau ditahan dengan benar dan dapat melilit pada bilah atau bergeser selama pemotongan.
  - ▶ **Pastikan gergaji miter dipasang atau ditempatkan pada permukaan kerja yang kuat dan rata sebelum digunakan.** Permukaan kerja yang kuat dan rata akan membuat gergaji miter tidak mudah goyah.
  - ▶ **Buatlah rencana kerja. Setiap kali Anda mengubah setelan kemiringan atau sudut 45 derajat (mitre angle), pastikan pelindung yang dapat disetel telah disesuaikan dengan benar untuk menyokong benda kerja dan tidak akan mengganggu bilah atau sistem pelindung.** Gerakkan bilah gergaji untuk menyimulasikan satu potongan penuh tanpa menekan tombol "ON" dan tanpa adanya benda kerja di meja untuk memastikan tidak akan terdapat gangguan atau bahaya terpotongnya pelindung.
  - ▶ **Sediakan sokongan yang memadai seperti meja tambahan, kuda-kuda penyangga, dll untuk benda kerja yang berukuran lebih lebar atau lebih panjang dari permukaan meja.** Benda kerja yang berukuran lebih lebar atau lebih panjang dari meja gergaji miter dapat terbalik jika tidak disokong dengan aman. Jika benda yang terpotong atau benda kerja terbalik, benda dapat mencabut pelindung bawah atau terlempar oleh bilah yang berputar.
  - ▶ **Jangan meminta orang lain untuk menjadi penyokong sebagai pengganti meja tambahan.** Penyokong untuk benda kerja yang goyah dapat menyebabkan bilah melilit atau benda kerja bergeser selama operasi pemotongan dan menarik Anda dan asisten Anda menuju ke bilah yang berputar.
  - ▶ **Bagian yang dipotong tidak boleh mendasak atau ditekan, dengan alat apa pun, ke bilah gergaji yang berputar.** Jika terperangkap, yaitu karena menggunakan pembatas (length stop), bagian yang dipotong dapat terjepit dan menekan bilah lalu terlempar dengan keras.
  - ▶ **Selalu gunakan penjepit atauudukan yang dirancang untuk menyokong dengan baik benda berbentuk bundar seperti tangkai silinder atau pipa.** Tangkai silinder memiliki kecenderungan tergulir saat dipotong, yang menyebabkan bilah menusuk dan menarik benda kerja maupun tangan Anda menuju ke bilah.
  - ▶ **Biarkan bilah mencapai kecepatan penuh sebelum menyentuh benda kerja.** Hal ini akan mengurangi risiko terlemparnya benda kerja.
  - ▶ **Jika benda kerja atau bilah mengalami kemacetan, matikan gergaji miter. Tunggulah hingga semua bagian yang bergerak berhenti dan cabut steker dari sumber daya dan/atau lepas baterai. Lalu bebaskan benda yang macet.** Meneruskan memotong dengan benda kerja yang terjepit dapat menyebabkan gergaji miter kehilangan kendali atau rusak.
  - ▶ **Setelah selesai memotong, lepaskan switch, turunkan kepala gergaji, dan tunggu hingga bilah gergaji berhenti sebelum mengangkat benda yang dipotong.** Meraih dengan tangan di dekat bilah yang berjalan sangatlah berbahaya.
  - ▶ **Genggam pegangan dengan kuat saat memotong sebagian atau saat melepas switch sebelum kepala gergaji benar-benar di posisi bawah.** Tindakan pengereman gergaji dapat menyebabkan kepala gergaji tiba-tiba tertarik ke bawah, yang menyebabkan risiko cedera.

- ▶ **Jangan melepaskan gagang saat kepala gergaji telah mencapai posisi terendah. Selalu arahkan kembali kepala gergaji ke posisi teratas dengan tangan.** Jika kepala gergaji bergerak secara tidak terkendali, hal tersebut dapat menyebabkan risiko cedera.
  - ▶ **Jaga tempat pengerjaan tetap bersih.** Campuran bahan yang berserakan cukup berbahaya. Debu logam yang kecil dapat terbakar atau menimbulkan ledakan.
  - ▶ **Jangan menggunakan mata gergaji yang tumpul, retak, bengkok, atau rusak. Mata gergaji dengan gigi-gigi yang tumpul atau bengkok mengakibatkan celah pemotongan terlalu sempit sehingga terjadi gesekan yang terlalu tinggi, mata gergaji terjepit, dan terjadi sentakan.**
  - ▶ **Jangan menggunakan mata gergaji yang terbuat dari baja kecepatan tinggi (baja HSS).** Mata gergaji dari bahan ini mudah patah.
  - ▶ **Selalu gunakan bilah gergaji dengan ukuran dan bentuk lubang poros yang sesuai (belah ketupat versus bulat).** Bilah gergaji yang tidak sesuai dengan perangkat keras yang terpasang pada gergaji akan bergerak tidak simetris dan mengakibatkan kehilangan kendali.
  - ▶ **Jangan pernah menyingkirkan sisa-sisa pemotongan, serbuk kayu, dan semacamnya dari bidang pemotongan jika perkakas listrik dalam keadaan hidup.** Gerakan kepala perkakas selalu ke posisi normal dahulu dan kemudian matikan perkakas listrik.
  - ▶ **Setelah digunakan, jangan memegang mata gergaji yang masih panas, tunggulah hingga menjadi dingin.** Selama penggunaannya, mata gergaji menjadi sangat panas.
  - ▶ **Asap dapat keluar apabila terjadi kerusakan atau penggunaan yang tidak tepat pada baterai. Baterai dapat terbakar atau meledak.** Biarkan udara segar mengalir masuk dan kunjungi dokter apabila mengalami gangguan kesehatan. Asap tersebut dapat mengganggu saluran pernafasan.
  - ▶ **Jangan membuka baterai.** Ada bahaya terjadinya korsleting.
  - ▶ **Baterai dapat rusak akibat benda-benda lancip, seperti jarum, obeng, atau tekanan keras dari luar.** Hal ini dapat menyebabkan terjading hubungan singkat internal dan baterai dapat terbakar, berasap, meledak, atau mengalami panas berlebihan.
  - ▶ **Hanya gunakan baterai pada produk dari produsen.** Hanya dengan cara ini, baterai dapat terlindung dari kelebihan muatan.
- 


**Lindungi baterai dari panas, misalnya juga dari paparan sinar matahari dalam waktu yang lama, api, kotoran, air dan kelembapan.** Terdapat risiko ledakan dan korsleting.
- ▶ **Perkakas listrik dikirim dengan tanda peringatan laser (lihat tabel "Simbol dan artinya").**

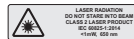
- ▶ **Jika teks pada tanda peringatan laser tidak tertulis dalam bahasa negara Anda, tempelkan label yang tersedia dalam bahasa negara Anda di atas label berbahasa Inggris sebelum Anda menggunakan alat untuk pertama kalinya.**
  - ▶ **Jangan pernah menutupi atau melepas label tentang keselamatan kerja yang ada pada perkakas listrik.**
- 

**Jangan melihat sinar laser ataupun mengarahkannya kepada orang lain atau hewan baik secara langsung maupun dari pantulan.** Sinar laser dapat membutakan seseorang, menyebabkan kecelakaan atau merusak mata.
- ▶ **Jika radiasi laser mengenai mata, tutup mata Anda dan segera gerakkan kepala agar tidak terkena sorotan laser.**
  - ▶ **Jangan mengubah peralatan laser.** Anda dapat menggunakan opsi pengaturan yang dijelaskan pada petunjuk penggunaan mesin dengan aman.
  - ▶ **Jangan biarkan anak-anak menggunakan perkakas listrik tanpa pengawasan.** Hal ini dapat menyilaukan orang lain atau diri sendiri secara tidak sengaja

## Simbol-simbol

Simbol-simbol berikut dapat membantu Anda dalam menggunakan perkakas listrik. Pelajari dan ingat simbol-simbol berikut beserta maknanya. Pengertian yang betul dari simbol-simbol ini bisa membantu Anda untuk menggunakan perkakas listrik dengan lebih baik dan aman.

### Simbol dan artinya



**Sinar laser**  
jangan melihat ke arah sinar  
Kelas laser 2



**Jangan mendekatkan tangan Anda pada area pemotongan saat perkakas listrik beroperasi.** Sentuhan dengan mata gergaji dapat mengakibatkan cedera.



**Kenakan masker pelindung debu.**



**Kenakan kacamata pelindung.**



**Pakailah pelindung telinga.** Suara bising dapat menyebabkan daya pendengaran berkurang.

**Simbol dan artinya**

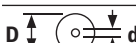
**Area berbahaya! Jauhkan tangan, jari atau lengan dari area ini.**



Untuk mengangkat, peganglah perkakas listrik hanya pada bagian-bagian yang ditandai ini (lekukan tempat memegang) atau pada pegangan untuk mengangkat.



Saat menggergaji sudut mitre, rel pembatas yang dapat diatur harus ditarik ke luar atau dilepas sepenuhnya.



Perhatikan ukuran mata gergaji (diameter mata gergaji **D**, diameter lubang **d**). Diameter lubang **d** harus sesuai dengan spindel alat dan tidak goyah. Jika penggunaan reduktor diperlukan, pastikan ukuran reduktor sesuai dengan ketebalan bilah baja, diameter lubang pada mata gergaji, serta diameter spindel alat. Sebisa mungkin, gunakan reduktor yang disertakan bersama mata gergaji.

Diameter mata gergaji **D** harus sesuai dengan informasi yang tercantum pada simbol.

Lihat juga "Ukuran untuk mata gergaji yang sesuai" dalam bab "Data teknis".

**Spesifikasi produk dan performa**

**Bacalah semua petunjuk keselamatan dan petunjuk penggunaan.** Kesalahan dalam menjalankan petunjuk keselamatan dan petunjuk penggunaan dapat mengakibatkan kontak listrik, kebakaran, dan/atau luka-luka yang berat.

Perhatikan ilustrasi yang terdapat pada sisi sampul panduan pengoperasian.

**Tujuan penggunaan**

Perkakas listrik ini merupakan perkakas yang dapat dipasang di lantai yang digunakan untuk melakukan pemotongan tegak lurus memanjang dan melintang pada kayu. Sudut mitre horizontal dapat bersudut mulai  $-48^\circ$  hingga  $+48^\circ$  dan sudut mitre vertikal dapat bersudut mulai  $47^\circ$  (sisi kiri) hingga  $47^\circ$  (sisi kanan).

Kapasitas perkakas listrik sesuai untuk memotong kayu keras dan kayu lunak serta papan partikel dan fiberboard.

Jika menggunakan mata gergaji yang sesuai, perkakas listrik juga dapat digunakan untuk memotong profil aluminium dan bahan sintetik.

**Ilustrasi komponen**

Penomoran ilustrasi komponen mengacu pada gambar perkakas listrik pada halaman grafis.

- (1) Sekrup pengencang alat pemandu gerakan
- (2) Alat pemandu gerakan
- (3) Gagang untuk mengangkat perkakas
- (4) Kap pelindung
- (5) Kunci pengaman untuk tombol on/off
- (6) Tombol on/off
- (7) Gagang
- (8) Kap pelindung laser
- (9) Lubang outlet sinar laser
- (10) Kap pelindung yang dapat digeser
- (11) Rol peluncur
- (12) Meja potong
- (13) Lubang untuk pemasangan
- (14) Pelat sisipan
- (15) Klip pengunci
- (16) Knop pengunci untuk sudut mitre mana pun (horizontal)
- (17) Tuas untuk penyetelan awal sudut mitre (horizontal)
- (18) Pelindung antimiring
- (19) Label peringatan laser
- (20) Penahan untuk sudut mitre standar (horizontal)
- (21) Skala untuk sudut mitre (horizontal)
- (22) Sekrup penjepit untuk ekstensi meja potong
- (23) Ekstensi meja potong
- (24) Penopang benda kerja (dapat dipasang secara fleksibel)
- (25) Rel pembatas stasioner
- (26) Rel pembatas yang dapat disetel
- (27) Skala untuk sudut mitre (vertikal)
- (28) Indikator sudut untuk sudut mitre (vertikal)
- (29) Deflektor serpihan
- (30) Mata gergaji
- (31) Pengunci spindel
- (32) Tombol pelepas baterai
- (33) Baterai
- (34) Kunci pengaman untuk pengangkutan
- (35) Braket pelindung antimiring
- (36) Mistar pembatas
- (37) Kantong debu
- (38) Sekrup penyetel pembatas kedalaman
- (39) Pembatas kedalaman
- (40) Batang berulir
- (41) Klem sekrup

- |                                                                                                                                                                                                                                                                                                                                                                                                                                                              |                                                                                                                                                                                                                                                                                                                                                                                                                                                                                                                             |
|--------------------------------------------------------------------------------------------------------------------------------------------------------------------------------------------------------------------------------------------------------------------------------------------------------------------------------------------------------------------------------------------------------------------------------------------------------------|-----------------------------------------------------------------------------------------------------------------------------------------------------------------------------------------------------------------------------------------------------------------------------------------------------------------------------------------------------------------------------------------------------------------------------------------------------------------------------------------------------------------------------|
| <p>(42) Lubang untuk klem sekrup</p> <p>(43) Kunci L/obeng pipih</p> <p>(44) Sekrup pengunci rel pembatas yang dapat disetel</p> <p>(45) Roda penjepit untuk sudut mitre (vertikal)</p> <p>(46) Tuas pengunci untuk sudut mitre (vertikal)</p> <p>(47) Dudukan untuk penopang benda kerja (pada perkakas listrik)</p> <p>(48) Dudukan untuk penopang benda kerja kedua (pada penopang benda kerja)</p> <p>(49) Baut berulir</p> <p>(50) Adaptor pengisap</p> | <p>(51) Sekrup heksagonal untuk mengencangkan mata gergaji</p> <p>(52) Flensa penjepit</p> <p>(53) Flensa penjepit sisi dalam</p> <p>(54) Sekrup pengencang untuk pelat sisipan</p> <p>(55) Sekrup untuk kap pelindung laser</p> <p>(56) Sekrup pengencang untuk housing laser</p> <p>(57) Housing laser</p> <p>(58) Indikator sudut untuk sudut mitre (horizontal)</p> <p>(59) Sekrup untuk indikator sudut (horizontal)</p> <p>(60) Sekrup untuk indikator sudut (vertikal)</p> <p>(61) Lekukan untuk menggengam alat</p> |
|--------------------------------------------------------------------------------------------------------------------------------------------------------------------------------------------------------------------------------------------------------------------------------------------------------------------------------------------------------------------------------------------------------------------------------------------------------------|-----------------------------------------------------------------------------------------------------------------------------------------------------------------------------------------------------------------------------------------------------------------------------------------------------------------------------------------------------------------------------------------------------------------------------------------------------------------------------------------------------------------------------|

### Data teknis

Mesin gergaji panel berdaya baterai		GCM 18V-216 D	GCM 18V-216 D
Nomor barang		<b>3 601 M51 0..</b>	<b>3 601 M51 0B. 3 601 M51 08.</b>
Tegangan nominal	V=	18	18
Kecepatan idle <sup>A)</sup>	min <sup>-1</sup>	5000	5000
Jenis laser	nm	650	650
	mW	< 1	< 1
Kelas laser		2	2
Berat <sup>B)</sup>	kg	16,4–17,4	16,4–17,4
Suhu sekitar yang direkomendasikan saat pengisian daya	°C	0 ... +35	0 ... +35
Suhu sekitar yang diizinkan saat pengoperasian <sup>C)</sup> dan saat penyimpanan	°C	-20 ... +50	-20 ... +50
Baterai yang direkomendasikan		GBA 18V... ProCORE18V...	GBA 18V... ProCORE18V...
Perangkat pengisi daya yang direkomendasikan		GAL 18... GAX 18... GAL 36...	GAL 18... GAX 18... GAL 36...

### Ukuran untuk mata gergaji yang sesuai

Diameter mata gergaji <b>D</b>	mm	216	216
Ketebalan bilah baja	mm	1,2–1,8	1,2–1,8
Diameter lubang <b>d</b>	mm	30	25,4

A) diukur pada suhu 20–25°C dengan baterai **ProCORE18V 8.0Ah**

B) tergantung pada baterai yang digunakan

C) daya terbatas pada suhu < 0°C

Ukuran benda kerja yang diperbolehkan (maksimal/minimal): (lihat „Ukuran benda kerja yang diperbolehkan“, Halaman 126)

Nilai dapat berbeda-beda bergantung pada produk dan mungkin tunduk pada kondisi lingkungan serta penggunaan. Informasi lebih lanjut pada [www.bosch-professional.com/wac](http://www.bosch-professional.com/wac).

## Baterai

**Bosch** menjual perkakas listrik berdaya baterai bahkan tanpa baterai yang disertakan. Keterangan apakah lingkup pengiriman perkakas listrik termasuk dengan baterai dapat ditemukan di kemasan.

## Mengisi daya baterai

- **Hanya gunakan pengisi daya yang tercantum pada data teknis.** Hanya pengisi daya ini yang sesuai dengan baterai li-ion yang digunakan pada perkakas listrik Anda.

**Catatan:** Baterai lithium-ion dikirim dalam keadaan terisi daya sebagian berdasarkan peraturan transportasi internasional. Untuk menjamin daya penuh dari baterai, isi



daya baterai hingga penuh sebelum menggunakannya untuk pertama kali.

### Memasang baterai

Masukkan baterai yang telah terisi daya ke dalam dudukan baterai hingga baterai terkunci.



### Melepas baterai

Untuk melepas baterai, tekan tombol pelepas baterai dan keluarkan baterai. **Jangan melepas baterai dengan paksa.** Baterai memiliki 2 level penguncian untuk mencegah baterai terlepas saat tombol pelepas baterai ditekan secara tidak sengaja. Selama baterai terpasang di dalam perkakas listrik, baterai ditahan posisinya menggunakan pegas.

### Indikator level pengisian daya baterai

Catatan: Tidak semua jenis baterai memiliki indikator level pengisian daya.

LED berwarna hijau dari indikator level pengisian daya baterai menampilkan level pengisian daya baterai. Atas dasar keselamatan, permintaan level pengisian daya baterai hanya dapat dilakukan saat perkakas listrik dalam keadaan berhenti.

Tekan tombol indikator level pengisian daya baterai  atau  untuk menampilkan level pengisian baterai. Hal ini juga dapat dilakukan saat baterai dilepas.

Apabila LED tidak menyala setelah menekan tombol indikator level pengisian daya, terdapat kerusakan pada baterai dan baterai harus diganti.

#### Tipe baterai GBA 18V...



LED	Kapasitas
Lampu permanen hijau 3×	60–100%
Lampu permanen hijau 2×	30–60%
Lampu permanen hijau 1×	5–30%
Lampu berkedip hijau 1×	0–5%

#### Tipe baterai ProCORE18V...



LED	Kapasitas
Lampu permanen hijau 5×	80–100%
Lampu permanen hijau 4×	60–80%
Lampu permanen hijau 3×	40–60%
Lampu permanen hijau 2×	20–40%
Lampu permanen hijau 1×	5–20%
Lampu berkedip hijau 1×	0–5%

### Petunjuk untuk penanganan baterai yang optimal

Lindungilah baterai dari kelembapan dan air.

Simpan baterai hanya pada rentang suhu antara –20 °C hingga 50 °C. Janganlah meletakkan baterai di dalam mobil, misalnya pada musim panas.

Bersihkan lubang ventilasi baterai dengan kuas yang lunak, bersih dan kering secara berkala.

Waktu pengoperasian yang berkurang secara signifikan setelah pengisian daya menunjukkan bahwa baterai telah habis dan perlu diganti.

Perhatikan petunjuk untuk membuang.

### Cara memasang

#### ▶ Lepaskan baterai dari perkakas listrik sebelum melakukan pekerjaan apa pun pada perkakas listrik (misalnya perawatan, penggantian alat kerja, dll.).

Terdapat risiko cedera apabila tombol on/off ditekan secara tidak sengaja.

### Lingkup pengiriman



Untuk itu, perhatikan ilustrasi lingkup pengiriman pada awal panduan pengoperasian.

Sebelum menggunakan perkakas listrik untuk pertama kalinya, periksalah apakah semua komponen di bawah ini disertakan:

- Mesin gergaji dengan mata gergaji yang terpasang
- Roda penjepit **(45)**
- Rel pembatas yang dapat disetel **(26)**
- Klem sekrup **(41)**
- Kunci L/obeng pipih **(43)**
- Kantong debu **(37)**
- Penopang benda kerja **(24)** (2 bagian)

**Catatan:** Periksa perkakas listrik dari kemungkinan kerusakan.

Sebelum melanjutkan menggunakan perkakas listrik, periksa dengan saksama semua komponen pelindung atau komponen yang sedikit rusak apakah komponen tersebut berfungsi dengan baik. Periksa apakah komponen yang bergerak berfungsi dengan baik dan tidak terjepit atau apakah ada komponen yang rusak. Semua bagian-bagian harus terpasang dengan benar dan memenuhi semua persyaratan guna menjamin penggunaan perkakas listrik yang sempurna.

Komponen perlindungan dan bagian-bagian yang rusak harus diperbaiki atau diganti di bengkel yang disetujui.

### Memasang komponen-komponen

- Keluarkan semua komponen yang disediakan di kemasan dengan hati-hati.
- Singkirkan semua bahan kemasan dari perkakas listrik dan dari aksesoris yang disediakan.

- Pastikan perkakas listrik berada dalam posisi pengangkutan agar pemasangan komponen perangkat yang disertakan lebih mudah dilakukan.

#### **Memasang penopang benda kerja (lihat gambar A1)**

Penopang benda kerja (24) dapat diatur posisinya di sebelah kiri, kanan, atau di depan perkakas listrik. Sistem pemasangan yang fleksibel memungkinkan pengguna melakukan berbagai variasi ekstensi atau pelebaran (lihat gambar G).

- Pasang penopang benda kerja (24) ke dalam dudukan (47) pada perkakas listrik atau ke dalam dudukan (48) pada penopang benda kerja kedua sesuai dengan kebutuhan.
- ▶ **Jangan pernah memegang penopang benda kerja untuk membawa perkakas listrik. Hanya gunakan peralatan untuk mengangkat saat mengangkat perkakas listrik.**

#### **Memasang roda penjepit (lihat gambar A2)**

Roda penjepit (45) memperbaiki sudut mitre vertikal yang diatur dan diperlukan untuk pengoperasian yang aman.

- Lepaskan mur heksagonal dari baut berulir (49).
- Pasang roda penjepit (45) searah jarum jam ke baut berulir (49), lalu kencangkan.

#### **Memasang rel pembatas yang dapat disetel (lihat gambar A3)**

Rel pembatas yang dapat disetel (26) harus dipasang sebelum melakukan penggergajian.

- Dorong rel pembatas (26) ke dalam alur yang sesuai di sisi kanan mata gergaji dan kencangkan sekrup pengunci (44).  
Bagian rel pembatas yang rata harus mengarah ke bagian dalam ke arah mata gergaji.

#### **Pemasangan stasioner atau fleksibel**

- ▶ **Untuk menjamin keamanan kerja, perkakas listrik harus dipasang terlebih dulu di tempat kerja yang datar dan stabil (misalnya meja kerja) sebelum digunakan.**

#### **Pemasangan di area kerja (lihat gambar B1–B2)**

- Kencangkan perkakas listrik di meja kerja dengan sekrup yang sesuai. Untuk itu, gunakan lubang-lubang bor (13) atau
- Kencangkan kaki perkakas listrik pada meja kerja dengan klem yang tersedia secara komersial.

#### **Pemasangan di meja kerja Bosch**

Meja kerja GTA Bosch menahan kedudukan perkakas listrik di segala permukaan dengan kaki yang dapat disetel ketinggiannya. Dudukan benda kerja pada area kerja digunakan untuk menunjang benda kerja yang berukuran panjang.

- ▶ **Baca semua petunjuk peringatan keamanan yang tercantum untuk meja kerja.** Jika petunjuk untuk keamanan kerja dan penggunaan tidak dipatuhi, dapat terjadi kontak listrik, kebakaran dan/atau cedera parah.

- ▶ **Sebelum memasang perkakas listrik pada meja kerja, rakit dulu meja kerja dengan benar.** Perakitan yang tepat sangat penting dilakukan agar meja kerja tidak roboh.

- Pasang perkakas listrik di area kerja pada posisi pengangkutan.

#### **Pemasangan fleksibel (tidak disarankan!) (lihat gambar B3)**

Jika perkakas listrik tidak memungkinkan dipasang di tempat yang rata dan stabil pada situasi tertentu, perkakas listrik dapat disetel dengan perlindungan antimiring untuk sementara waktu.

- ▶ **Perkakas listrik akan berdiri dengan tidak seimbang tanpa perlindungan antimiring dan dapat miring atau terbalik terutama saat mengoperasikan perkakas dengan sudut potong horizontal dan/atau vertikal maksimal.**

- Putar perlindungan antimiring (18) ke dalam atau luar sejauh mungkin hingga perkakas listrik tegak lurus dengan permukaan kerja.

#### **Pengisapan debu/serbuk**

Debu dari bahan-bahan seperti cat yang mengandung timbal, beberapa jenis kayu, bahan mineral dan logam dapat berbahaya bagi kesehatan. Menyentuh atau menghirup debu tersebut dapat mengakibatkan reaksi alergi dan/atau penyakit saluran pernapasan bagi pengguna atau orang yang berada di dekatnya.

Beberapa debu tertentu seperti misalnya debu kayu pohon ek atau pohon fagus silvatica dianggap dapat mengakibatkan penyakit kanker, terutama dalam campuran dengan bahan-bahan tambahan untuk pengolahan kayu (kromat, obat pengawet kayu). Bahan-bahan yang mengandung asbestos hanya boleh dikerjakan oleh orang-orang yang ahli.

- Gunakanlah hanya pengisap debu yang cocok untuk mengisap bahan yang dikerjakan.
- Pastikan terdapat ventilasi udara yang baik di tempat kerja.
- Dianjurkan untuk memakai masker anti debu dengan filter kelas P2.

Taatilah peraturan-peraturan untuk bahan-bahan yang dikerjakan yang berlaku di negara Anda.

- ▶ **Hindari debu yang banyak terkumpul di tempat kerja.** Debu dapat tersulut dengan mudah.

Pengisap debu/serbuk dapat tersumbat oleh debu, serbuk atau serpihan dari benda yang dikerjakan.

- Matikan perkakas listrik dan lepaskan baterai.
- Tunggu hingga mata gergaji benar-benar berhenti.
- Periksa penyebab tersumbatnya perkakas dan segera perbaiki.

#### **Ekstraksi otomatis (lihat gambar C)**

Gunakan kantong debu (37) yang disediakan untuk mengumpulkan serpihan dengan mudah.

- Setel gagang untuk mengangkat perkakas (3) dalam posisi vertikal.

- Pasang dan putar kantong debu (37) sedemikian rupa ke dalam adaptor pengisap (50) agar pin pada kantong debu terkunci di dalam celah pada adaptor pengisap.

Selama penggergajian, kantong debu sama sekali tidak boleh menyentuh bagian-bagian perkakas listrik yang bergerak.

Kosongkan kantong debu tepat pada waktunya.

- ▶ **Periksa dan bersihkan kantong debu setelah setiap penggunaan.**
- ▶ **Untuk menghindari terjadinya kebakaran, lepaskan kantong debu jika melakukan penggergajian pada bahan aluminium.**

#### Pengisapan eksternal

Untuk pengisapan, slang pengisap debu (Ø 35 mm) juga dapat disambungkan ke adaptor pengisap (50).

- Sambungkan slang pengisap debu dengan adaptor pengisap (50).

Mesin pengisap debu harus sesuai dengan bahan yang dikerjakan.

Gunakan mesin pengisap khusus saat mengisap debu yang sangat berbahaya bagi kesehatan, pemicu kanker atau debu kering.

#### Mengganti mata gergaji (lihat gambar D1-D4)

- ▶ **Lepaskan baterai dari perkakas listrik sebelum melakukan pekerjaan apa pun pada perkakas listrik (misalnya perawatan, penggantian alat kerja, dll.).** Terdapat risiko cedera apabila tombol on/off ditekan secara tidak sengaja.
- ▶ **Kenakan sarung tangan pelindung saat memasang mata gergaji.** Terdapat risiko cedera jika menyentuh mata gergaji.

Hanya gunakan mata gergaji dengan kecepatan putaran maksimal yang diperbolehkan yang lebih tinggi daripada kecepatan putaran tanpa beban dari perkakas listrik.

Hanya gunakan mata gergaji yang sesuai dengan data-data yang tercantum di dalam petunjuk pengoperasian yang diberikan dan diuji menurut peraturan EN 847-1 serta diberi tanda yang sesuai.

Hanya gunakan mata gergaji yang dianjurkan oleh produsen perkakas listrik ini dan yang sesuai untuk mengerjakan bahan yang hendak dikerjakan. Hal ini bertujuan untuk menghindari pemanasan berlebih pada gigi gergaji pada saat menggergaji.

#### Melepaskan mata gergaji

- Atur perkakas listrik pada posisi pengoperasian.
- Gerakkan kap pelindung yang dapat bergerak (10) ke belakang dan tahan kap pelindung yang dapat bergerak pada posisi ini.
- Putar sekrup heksagonal (51) dengan kunci L (6 mm) (43) dan tekan pengunci spindel (31) secara bersamaan hingga terkunci.
- Tekan dan tahan pengunci spindel (31) dan putar keluar sekrup heksagonal (51) searah jarum jam (ulir kiri!).
- Lepas flensa penjepit (52).
- Lepas mata gergaji (30).

- Arahkan kembali kap pelindung yang dapat bergerak secara perlahan ke bawah.

#### Memasang mata gergaji

- ▶ **Pada waktu memasang mata gergaji, perhatikan agar arah pemotongan gigi (arah panah pada mata gergaji) sesuai dengan arah panah pada kap pelindung!**

Jika perlu, bersihkan dahulu semua komponen yang akan dipasang sebelum melakukan pemasangan.

- Gerakkan kap pelindung yang dapat bergerak (10) ke belakang dan tahan kap pelindung yang dapat bergerak pada posisi ini.
- Pasang mata gergaji baru pada flensa penjepit bagian dalam (53).
- Pasang flensa penjepit (52) dan sekrup segi enam (51). Tekan pengunci poros (31) hingga terkunci dan kencangkan sekrup segi enam berlawanan arah jarum jam.
- Arahkan kembali kap pelindung yang dapat bergerak secara perlahan ke bawah.

## Penggunaan

- ▶ **Lepaskan baterai dari perkakas listrik sebelum melakukan pekerjaan apa pun pada perkakas listrik (misalnya perawatan, penggantian alat kerja, dll.).** Terdapat risiko cedera apabila tombol on/off ditekan secara tidak sengaja.

#### Kunci transpor (lihat gambar E)

Kunci transpor (34) memungkinkan perkakas listrik dapat ditangani dengan lebih mudah saat dipindahkan ke lokasi yang berbeda.

#### Melepaskan penguncian perkakas listrik (posisi pengoperasian)

- Tekan sedikit lengan perkakas pada gagang (7) ke bawah untuk meringankan kunci transpor (34).
- Tarik sepenuhnya kunci transpor (34) ke luar.
- Gerakkan lengan perkakas ke atas secara perlahan.

#### Mengunci perkakas listrik (posisi pengangkutan)

- Kendurkan sekrup pengencang (1) jika sekrup menjepit alat pemandu gerakan (2). Tarik sepenuhnya lengan perkakas ke depan dan tarik kembali sekrup pengencang untuk mengunci alat pemandu gerakan.
- Tarik pembatas kedalaman (39) ke atas.
- Kencangkan knop pengunci (16) untuk mengunci meja potong (12).
- Gunakan gagang (7) untuk menggerakkan lengan perkakas sejauh mungkin ke bawah hingga kunci pengaman untuk pengangkutan (34) dapat ditekan sepenuhnya ke dalam.

Kini, lengan perkakas telah terkunci dengan benar dan perkakas listrik dapat diangkut.

## Persiapan pemakaian

Untuk menjamin pemotongan yang tepat, penyetalan dasar perkakas listrik harus diperiksa setelah perkakas listrik digunakan secara intensif dan jika perlu lakukan pengaturan. Untuk melakukannya, diperlukan pengalaman dan perkakas khusus yang sesuai.

Pusat layanan pelanggan Bosch akan melakukan pekerjaan ini dengan cepat dan baik.

## Memperpanjang/memperlebar meja potong (lihat gambar F-G)

Benda kerja yang panjang dan berat harus dialasi atau ditopang pada ujungnya.

Meja potong dapat diperpanjang ke kiri dan ke kanan menggunakan ekstensi meja potong (23).

- Lepaskan sekrup penjepit (22).

## Menggeser rel pembatas (lihat gambar H)

Saat menggergaji sudut mitre horizontal dan/atau vertikal, rel pembatas kiri dan kanan yang dapat disetel (26) harus ditarik keluar atau dilepas sepenuhnya menyesuaikan arah pemotongan.

Sudut mitre vertikal	Sudut mitre horizontal	
0°–22,5° (kiri/kanan)	> 0°	- <b>Kendurkan</b> sekrup pengunci kiri/kanan (44). - Tarik rel pembatas kiri/kanan yang dapat disetel (26) sepenuhnya ke luar.
22,5°–47° (kiri/kanan)	≤ 48° (kiri/kanan)	- <b>Kendurkan</b> sekrup pengunci kiri/kanan (44). - Tarik rel pembatas kiri/kanan yang dapat disetel (26) sepenuhnya ke luar. - Angkat dan lepaskan rel pembatas yang dapat disetel.

## Mengencangkan benda kerja (lihat gambar I)

Untuk menjamin keamanan kerja yang optimal, benda kerja harus selalu dikencangkan.

Jangan mengerjakan benda kerja yang terlalu kecil untuk dikencangkan.

- Tekan benda kerja dengan kuat pada rel pembatas (26) dan (25).
- Pasang klem yang disediakan (41) pada salah satu lubang yang tersedia (42).
- Sesuaikan batang berulir (40) klem dengan ketinggian benda kerja.
- Kencangkan batang berulir (40) dengan kuat dan kencangkan benda kerja.

## Mengatur sudut mitre horizontal

### Mengatur sudut potong horizontal standar (lihat gambar J)

Untuk mengatur sudut potong horizontal yang sering digunakan secara cepat dan tepat, terdapat alur pada meja potong (20):

kiri	kanan
0°	
45°; 30°; 22,5°; 15°	15°; 22,5°; 30°; 45°

- Kendurkan kenop pengunci (16) jika gagang dikencangkan.

- Tarik ekstensi meja potong (23) ke luar hingga mencapai panjang yang diinginkan.
- Untuk mengencangkan ekstensi meja potong, kencangkan kembali sekrup penjepit (22).

Sistem pemasangan yang fleksibel pada penopang benda kerja (24) memungkinkan pengguna melakukan berbagai variasi ekstensi atau pelebaran.

- Pasang penopang benda kerja (24) ke dalam dudukan (47) pada perkakas listrik atau ke dalam dudukan (48) pada penopang benda kerja kedua sesuai dengan kebutuhan.

► **Jangan pernah memegang penopang benda kerja untuk membawa perkakas listrik. Hanya gunakan peralatan untuk mengangkat saat mengangkat perkakas listrik.**

- Tarik tuas (17) dan putar meja potong (12) ke kiri atau kanan hingga mencapai alur yang diinginkan.
- Lepaskan kembali tuas. Tuas harus terasa terkunci ke dalam alur.
- Kencangkan kembali kenop pengunci (16).

### Mengatur sudut potong horizontal lainnya (lihat gambar K)

Sudut mitre horizontal dapat diatur dalam rentang sudut 48° (sisi kiri) hingga 48° (sisi kanan).

- Kendurkan knop pengunci (16) jika knop dikencangkan.
- Tarik tuas (17) dan tekan klip pengunci (15) secara bersamaan hingga terkunci pada alur yang tersedia. Dengan demikian, meja potong dapat bergerak dengan bebas.
- Putar meja potong (12) pada knop pengunci ke kiri atau kanan hingga indikator sudut (58) menampilkan sudut mitre horizontal yang diinginkan.
- Kencangkan kembali knop pengunci (16).
- Untuk mengendurkan kembali tuas (17) (untuk mengatur sudut mitre standar horizontal), tarik tuas ke atas. Klip pengunci (15) kembali ke posisi semula dan tuas (17) dapat terkunci kembali ke dalam alur (20).

### Mengatur sudut mitre vertikal

Sudut mitre vertikal dapat diatur dalam rentang sudut 47° (sisi kiri) hingga 47° (sisi kanan).

Posisi tetap untuk sudut 0°, 22,5° dan 45° disediakan untuk mengatur sudut mitre vertikal yang sering digunakan secara cepat dan tepat.

- Pastikan roda penjepit **(45)** telah terpasang (lihat „Memasang roda penjepit (lihat gambar A2)“, Halaman 122).

#### Mengatur sudut mitre standar vertikal (lihat gambar L)

- Tarik ke luar atau lepaskan sepenuhnya rel pembatas yang dapat disetel **(26)**.
- Kendurkan roda penjepit **(45)**.
- Tarik tuas pengunci **(46)** ke luar dan kunci pada posisi netral. Dengan begitu, pengguna dapat menggunakan seluruh rentang sudut mitre (kiri dan kanan).
- Gunakan gagang **(7)** untuk menggerakkan lengan perkakas ke kiri atau kanan hingga indikator sudut **(28)** menampilkan sudut mitre standar vertikal yang diinginkan.
- Putar tuas pengunci **(46)**. Tuas pengunci harus benar-benar terkunci pada posisi sudut mitre standar vertikal yang diinginkan.
- Kencangkan kembali roda penjepit **(45)**.

#### Mengatur sudut mitre vertikal mana pun

- Tarik ke luar atau lepaskan sepenuhnya rel pembatas yang dapat disetel **(26)**.
- Kendurkan roda penjepit **(45)**.
- Tarik tuas pengunci **(46)** ke luar dan kunci pada posisi netral. Dengan begitu, pengguna dapat menggunakan seluruh rentang sudut mitre (kiri dan kanan).
- Gunakan gagang **(7)** untuk menggerakkan lengan perkakas ke kiri atau kanan hingga indikator sudut **(28)** menampilkan sudut mitre vertikal yang diinginkan.
- Kencangkan kembali roda penjepit **(45)**.

#### Pengoperasian pertama kali

- ▶ **Selalu kencangkan knop pengunci (16) dan roda penjepit (45) sebelum menggergaji.** Dengan demikian, mata gergaji tidak tersangkut pada benda kerja.

#### Menghidupkan (lihat gambar M)

- Untuk **menghidupkan** perkakas listrik, **pertama** geser kunci pengaman **(5)** ke tengah, **kemudian** tekan dan tahan tombol on/off **(6)**.

**Catatan:** Demi alasan keamanan, tombol on/off **(6)** tidak dapat dikunci, melainkan switch harus selalu ditekan selama pengoperasian.

#### Mematikan perkakas listrik

- Untuk **mematikan** perkakas listrik, lepaskan tombol untuk menghidupkan dan mematikan **(6)**.

## Menggergaji

### Petunjuk umum untuk menggergaji

- ▶ **Selalu kencangkan knop pengunci (16) dan roda penjepit (45) sebelum menggergaji.** Dengan demikian, mata gergaji tidak tersangkut pada benda kerja.
- ▶ **Sebelum mulai menggunakan perkakas listrik, periksalah mata gergaji agar tidak menyentuh rel pembatas, klem atau bagian yang lain dari perkakas. Jika perlu, lepaskan semua mistar pembantu yang dipasang atau sesuaikan pembatasnya.**

Lindungilah mata gergaji terhadap benturan dan tumbukan. Jangan menekan mata gergaji dari samping.

Hanya potong bahan yang disetujui sesuai ketentuan penggunaan.

Jangan mengerjakan benda yang bengkok. Benda kerja harus selalu mempunyai tepi yang lurus untuk dirapatkan pada rel pembatas.

Benda kerja yang panjang dan berat harus dialasi atau ditopang pada ujungnya.

Pastikan agar kap pelindung yang dapat bergerak dapat berfungsi dengan baik dan bergerak secara bebas. Kap pelindung yang dapat bergerak harus dalam keadaan terbuka saat menggerakkan lengan perkakas ke bawah. Kap pelindung yang dapat bergerak harus tertutup kembali di atas mata gergaji dan terkunci pada posisi teratas lengan perkakas saat menggerakkan lengan perkakas ke atas.

### Posisi pengguna perkakas listrik (lihat gambar N)

- ▶ **Jangan berdiri langsung dalam satu garis dengan perkakas listrik dan mata gergaji, melainkan selalu di samping mata gergaji.** Dengan demikian tubuh Anda akan terlindungi jika terjadi bantingan.
- Jauhkan tangan, jari dan lengan dari mata gergaji yang berputar.
- Jangan menyilangkan tangan Anda di depan lengan perkakas.

### Menggergaji dengan penarikan

- Untuk potongan dengan bantuan alat pemandu gerakan **(2)** (benda kerja lebar), kendurkan sekrup pengencang **(1)** jika sekrup dikencangkan.
- Sudut potong horizontal dan/atau vertikal yang diinginkan dapat disetel sesuai kebutuhan.
- Tekan benda kerja dengan kuat pada rel penghenti **(25)** dan **(26)**.
- Kencangkan benda kerja sesuai dengan ukurannya.
- Tarik lengan perkakas dari rel pembatas **(25)** sejauh mungkin hingga mata gergaji berada di depan benda kerja.
- Nyalakan perkakas listrik.
- Gerakkan lengan perkakas dengan gagang **(7)** ke bawah secara perlahan.
- Tekan lengan perkakas ke arah rel penghenti **(25)** dan **(26)** kemudian gergaji benda kerja dengan dorongan yang merata.

- Matikan perkakas listrik dan tunggu hingga mata gergaji benar-benar berhenti.
- Gerakkan lengan perkakas ke atas secara perlahan.

#### Menggergaji tanpa penarikan (menggergaji vertikal) (lihat gambar O)

- Untuk potongan tanpa penarikan (benda kerja yang berukuran kecil), kendurkan sekrup pengencang (1) jika sekrup dikencangkan. Geser lengan perkakas ke arah rel pembatas (25) hingga maksimal lalu kencangkan kembali sekrup pengencang (1).
- Sudut potong horizontal dan/atau vertikal yang diinginkan dapat disetel sesuai kebutuhan.
- Tekan benda kerja dengan kuat pada rel penghenti (25) dan (26).
- Kencangkan benda kerja sesuai dengan ukurannya.
- Nyalakan perkakas listrik.
- Gerakkan lengan perkakas dengan gagang (7) ke bawah secara perlahan.
- Gergaji benda kerja dengan dorongan yang merata.
- Matikan perkakas listrik dan tunggu hingga mata gergaji benar-benar berhenti.
- Gerakkan lengan perkakas ke atas secara perlahan.

#### Petunjuk pengoperasian

##### Menandai garis pemotongan (lihat gambar P)

Dua sinar laser menunjukkan garis pemotongan mata gergaji. Dengan demikian, benda kerja dapat ditempatkan secara tepat untuk digergaji tanpa harus membuka kap pelindung yang dapat bergerak.

- Untuk itu, nyalakan sinar laser dengan mengetuk singkat tombol on/off (6) tanpa menekan kunci pengaman (5).
- Arahkan tanda yang dibuat pada benda kerja di antara kedua garis laser.

**Catatan:** Sebelum menggergaji, periksa apakah garis pemotongan masih ditampilkan dengan benar (lihat „Menyesuaikan laser“, Halaman 126). Penyetelan sinar laser dapat berubah, misalnya oleh getaran saat menggunakan perkakas secara intensif.

##### Ukuran benda kerja yang diperbolehkan

Ukuran benda kerja **maksimal**:

Sudut mitre horizontal	Sudut mitre vertikal	Tinggi x lebar [mm]
0°	0°	70 x 305
45° (kiri/kanan)	0°	70 x 215
45° (kiri)	45° (kiri)	42 x 215
45° (kanan)	45° (kanan)	20 x 215
0°	45° (kiri)	42 x 305
0°	45° (kanan)	20 x 305

Ukuran benda kerja **minimal** (= semua benda kerja yang dapat dijepit dengan klem (41) yang disediakan di sisi kiri atau kanan mata gergaji): 100 x 40 mm (panjang x lebar)

**Kedalaman pemotongan maksimal (0°/0°):** 70 mm

#### Mengatur pembatas kedalaman (membuat alur) (lihat gambar Q)

Jika hendak membuat alur, pembatas kedalaman harus disetel.

- Gerakkan pembatas kedalaman (39) ke depan.
- Gunakan gagang (7) untuk menggerakkan lengan perkakas ke posisi yang diinginkan.
- Putar sekrup penyetel (38) hingga ujung sekrup menyentuh pembatas kedalaman (39).
- Arahkan lengan perkakas ke atas secara perlahan.

#### Menggergaji benda kerja yang berukuran sama panjang (lihat gambar R)

Mistar pembatas (36) kiri atau kanan dapat digunakan untuk menggergaji benda kerja yang berukuran sama panjang dengan mudah.

- Putar mistar pembatas (36) ke atas.
- Atur ekstensi meja potong (23) ke panjang benda kerja yang diinginkan.

#### Benda kerja khusus

Saat menggergaji benda kerja dengan bentuk melengkung atau bulat, benda kerja tersebut harus dipegang dengan alat agar tidak tergeser. Pada jalur potong tidak boleh ada celah antara benda kerja, rel pembatas dan meja potong.

Jika perlu harus dibuat penahan khusus.

#### Mengganti pelat sisipan (lihat gambar S)

Pelat sisipan (14) dapat menjadi aus setelah perkakas listrik digunakan untuk waktu yang lama.

Ganti pelat sisipan yang rusak.

- Atur perkakas listrik pada posisi pengoperasian.
- Lepaskan sekrup (54) menggunakan obeng kembang standar dan lepaskan pelat sisipan yang lama (14).
- Pasang pelat sisipan yang baru dan kencangkan kembali sekrup (54).

#### Menyesuaikan laser

**Catatan:** Untuk melakukan uji fungsi laser, perkakas listrik harus disambungkan pada suplai daya.

- ▶ **Jangan pernah menekan tombol on/off selama melakukan penyesuaian laser (misalnya saat menggerakkan lengan perkakas).** Terdapat risiko cedera jika perkakas listrik dihidupkan tanpa disengaja.
- Posisikan perkakas listrik pada posisi pengoperasian.
- Putar meja potong (12) hingga ke alur yang diinginkan (20) pada sudut 0°. Tuas (17) harus benar-benar terkunci ke dalam alur.

Setelah menggunakan perkakas listrik secara intensif, sinar laser harus diperiksa dan jika perlu diatur ulang untuk menjamin pemotongan yang tepat.

Untuk melakukannya, diperlukan pengalaman dan alat khusus yang sesuai.

Pusat layanan pelanggan Bosch akan menangani pekerjaan ini dengan cepat dan baik.

**Memeriksa (lihat gambar T1)**

- Gambarlah sebuah garis pemotongan lurus pada benda kerja.
- Gunakan gagang (7) untuk mengarahkan lengan perkakas ke bawah secara perlahan.
- Posisikan benda kerja sedemikian rupa sehingga gigi mata gergaji sejajar dengan garis pemotongan.
- Tahan benda kerja pada posisi ini dan arahkan kembali lengan perkakas ke atas secara perlahan.
- Jepit benda kerja.
- Aktifkan sinar laser dengan tombol (6) tanpa menekan kunci pengaman (5).

Sinar laser harus berada di sepanjang bagian sisi kanan dan kiri dengan jarak yang sama dari garis pemotongan yang digambarkan, bahkan saat lengan perkakas diarahkan ke bawah.

**Melepas kap pelindung laser (lihat gambar T2)**

- Kendurkan kedua sekrup (55) kap pelindung laser (8) dengan kunci L/obeng pipih (43), lalu lepaskan kap pelindung laser.

**Mengatur deviasi lateral saat menggerakkan lengan perkakas (lihat gambar T3–T4)**

- Kendurkan sekrup pengencang (56) (sekitar 1–2 putaran).  
Jangan mengendurkan sekrup hingga benar-benar terlepas.
- Geser housing laser (57) ke kanan atau ke kiri hingga sinar laser tidak lagi menyimpang ke sisi samping saat lengan perkakas digerakkan ke bawah.
- Tahan housing laser (57) pada posisi tersebut dan kencangkan kembali sekrup pengencang (56).
- Kencangkan kembali kap pelindung laser (8).

**Memeriksa dan mengatur pengaturan awal**

Untuk menjamin pemotongan yang tepat, penyetelan dasar perkakas listrik harus diperiksa setelah perkakas listrik digunakan secara intensif dan jika perlu lakukan pengaturan. Untuk melakukannya, diperlukan pengalaman dan perkakas khusus yang sesuai.

Pusat layanan pelanggan Bosch akan melakukan pekerjaan ini dengan cepat dan baik.

**Menyejajarkan indikator sudut (horizontal) (lihat gambar U)**

- Posisikan perkakas listrik pada posisi pengoperasian.
- Putar meja potong (12) hingga ke alur (20) untuk 0°.  
Tuas (17) harus benar-benar terkunci pada alur.

**Memeriksa**

Indikator sudut (58) harus satu garis dengan tanda 0° pada skala (21).

**Mengatur**

- Kendurkan sekrup (59) dengan obeng kembang dan arahkan indikator sudut sepanjang tanda 0°.
- Kencangkan kembali baut.

**Menyejajarkan indikator sudut (vertikal) (lihat gambar V)**

- Atur perkakas listrik pada posisi pengoperasian.
- Kendurkan roda penjepit (45).
- Tarik tuas pengunci (46) ke luar dan gunakan lengan perkakas untuk mengatur sudut mitre vertikal pada 0°.
- Lepaskan tuas pengunci (46). Tuas pengunci harus benar-benar terkunci pada posisinya
- Kencangkan kembali roda penjepit (45).

**Memeriksa**

Indikator sudut (28) harus berada segaris dengan tanda 0° pada skala (27).

**Mengatur**

- Kendurkan sekrup (60) dengan obeng kembang dan arahkan indikator sudut di sepanjang tanda 0°.
- Kencangkan kembali sekrup.

**Mengangkut perkakas listrik (lihat gambar W)**

- ▶ **Lepaskan baterai dari perkakas listrik sebelum melakukan pekerjaan apa pun pada perkakas listrik (misalnya perawatan, penggantian alat kerja, dll.).**  
Terdapat risiko cedera apabila tombol on/off ditekan secara tidak sengaja.

Sebelum mengangkut perkakas listrik, lakukan langkah-langkah berikut:

- Kendurkan sekrup pengencang (1) jika sekrup terpasang kuat. Tarik sepenuhnya lengan perkakas ke depan dan kencangkan kembali sekrup pengencang.
- Pastikan pembatas kedalaman (39) digerakkan sepenuhnya ke belakang dan sekrup penyetel (38) tidak menyentuh apa pun saat menggerakkan lengan perkakas.
- Posisikan perkakas listrik pada posisi pengangkutan.
- Lepas semua komponen aksesoris yang tidak dapat dipasang dengan kencang pada perkakas listrik. Selama pengangkutan, mata gergaji yang tidak digunakan sebaiknya disimpan di dalam tempat tertutup.
- Setel gagang untuk mengangkut perkakas (3) dalam posisi vertikal.
- Gunakan gagang untuk mengangkut perkakas (3) atau genggam perkakas pada lekukan untuk menggenggam (61) di sisi samping pada meja potong.
- ▶ **Hanya gunakan peralatan untuk mengangkut dan jangan pernah menggunakan perangkat pelindung atau penopang benda kerja saat mengangkut perkakas listrik.**

**Perawatan dan servis****Perawatan dan pembersihan**

- ▶ **Lepaskan baterai dari perkakas listrik sebelum melakukan pekerjaan apa pun pada perkakas listrik (misalnya perawatan, penggantian alat kerja, dll.).**  
Terdapat risiko cedera apabila tombol on/off ditekan secara tidak sengaja.

► **Perkakas listrik dan lubang ventilasi harus selalu dibersihkan agar perkakas dapat digunakan dengan baik dan aman.**

Kap pelindung yang dapat bergerak harus dapat bergerak secara bebas dan menutup sendiri. Karena itu, jaga kebersihan area di sekitar kap pelindung yang dapat bergerak.

Setelah setiap penggunaan, bersihkan perkakas listrik dari debu dan serbuk dengan cara ditiup dengan udara bertekanan atau dengan kuas.

Bersihkan rol peluncur **(11)** secara berkala.

**Tindakan untuk mengurangi kebisingan**

Tindakan oleh produsen:

- Awalan start yang perlahan
- Perkakas listrik dipasang dengan mata gergaji yang dirancang khusus untuk mengurangi kebisingan

Tindakan oleh pengguna perkakas:

- Pasang perkakas listrik pada bidang kerja yang stabil sehingga vibrasi berkurang
- Gunakan mata gergaji dengan fungsi mengurangi kebisingan
- Bersihkan mata gergaji dan perkakas listrik secara berkala

**Layanan pelanggan dan konsultasi penggunaan**

Layanan pelanggan Bosch menjawab semua pertanyaan Anda tentang reparasi dan perawatan serta tentang suku cadang produk ini. Gambaran teknis (exploded view) dan informasi mengenai suku cadang dapat ditemukan di:

**www.bosch-pt.com**

Tim konsultasi penggunaan Bosch akan membantu Anda menjawab pertanyaan seputar produk kami beserta aksesorinya.

Jika Anda hendak menanyakan sesuatu atau memesan suku cadang, selalu sebutkan nomor model yang terdiri dari 10 angka dan tercantum pada label tipe produk.

**Indonesia**

PT Robert Bosch Indonesia  
Arkadia Green Park Tower G – 7th floor  
Jl. Let. Jend. TB. Simatupang Kav.88  
Jakarta 12520  
Tel.: (021) 3005 5800  
Fax: (021) 3005 5801  
E-Mail: boschpowertools@id.bosch.com  
www.bosch-pt.co.id

**Alamat layanan lainnya dapat ditemukan di:**

www.bosch-pt.com/serviceaddresses

**Transpor**

Baterai li-ion yang direkomendasikan tunduk pada persyaratan terkait peraturan tentang bahan-bahan yang berbahaya. Baterai dapat diangkut di jalan oleh penggunanya tanpa pembatasan lebih lanjut.

Pada pengiriman oleh pihak ketiga (misalnya transportasi udara atau perusahaan ekspedisi), persyaratan terkait

pengemasan dan pemberian tanda harus diperhatikan.

Dalam hal ini, diperlukan konsultasi dengan ahli bahan-bahan berbahaya saat menyiapkan barang pengiriman.

Kirimkan baterai hanya jika housing-nya tidak rusak. Tutup bagian-bagian yang terbuka dan kemas baterai agar tidak bergerak-gerak di dalam kemasan. Taatilah peraturan-peraturan nasional lainnya yang mungkin lebih rinci yang berlaku di negara Anda.

**Cara membuang**



Perkakas listrik, baterai, aksesoris dan kemasan harus didaur ulang dengan cara yang ramah lingkungan.



Jangan membuang perkakas listrik, aki/baterai ke dalam sampah rumah tangga!

**Baterai:**

**Li-ion:**

Perhatikanlah petunjuk-petunjuk dalam bab Transpor (lihat „Transpor“, Halaman 128).

**Tiếng Việt**

**Hướng dẫn an toàn**

**Cảnh báo Tổng quát Cách sử dụng An toàn Dụng cụ điện Cẩm tay**

**⚠ CẢNH BÁO** **Hãy đọc toàn bộ các cảnh báo an toàn, hướng dẫn, hình ảnh và thông số kỹ thuật được cung cấp cho dụng cụ điện cầm tay này.** Không tuân thủ mọi hướng dẫn được liệt kê dưới đây có thể bị điện giật, gây cháy và /hay bị thương tật nghiêm trọng. **Hãy giữ tất cả tài liệu về cảnh báo và hướng dẫn để tham khảo về sau.**

Thuật ngữ "dụng cụ điện cầm tay" trong phần cảnh báo là để cập đến sự sử dụng dụng cụ điện cầm tay của bạn, loại sử dụng điện nguồn (có dây cắm điện) hay vận hành bằng pin (không dây cắm điện).

**Khu vực làm việc an toàn**

- **Giữ nơi làm việc sạch và đủ ánh sáng.** Nơi làm việc bừa bộn và tối tăm dễ gây ra tai nạn.
- **Không vận hành dụng cụ điện cầm tay trong môi trường dễ gây nổ, chẳng hạn như nơi có chất lỏng dễ cháy, khí đốt hay rác.** Dụng cụ điện cầm tay tạo ra các tia lửa nên có thể làm rác bén cháy hay bốc khói.
- **Không để trẻ em hay người đến xem đứng gần khi vận hành dụng cụ điện cầm tay.** Sự phân tâm có thể gây ra sự mất điều khiển.



### An toàn về điện

- ▶ **Phích cắm của dụng cụ điện cầm tay phải thích hợp với ổ cắm. Không bao giờ được cải biến lại phích cắm dưới mọi hình thức. Không được sử dụng phích cắm nối tiếp đất (dây mát).** Phích cắm nguyên bản và ổ cắm đúng loại sẽ làm giảm nguy cơ bị điện giật.
- ▶ **Tránh không để thân thể tiếp xúc với đất hay các vật có bề mặt tiếp đất như đường ống, lò sưởi, hàng rào và tủ lạnh.** Có nhiều nguy cơ bị điện giật hơn nếu cơ thể bạn bị tiếp hay nối đất.
- ▶ **Không được để dụng cụ điện cầm tay ngoài mưa hay ở tình trạng ẩm ướt.** Nước vào máy sẽ làm tăng nguy cơ bị điện giật.
- ▶ **Không được làm dụng dây dẫn điện. Không bao giờ được nắm dây dẫn để xách, kéo hay rút phích cắm dụng cụ điện cầm tay. Không để dây gần nơi có nhiệt độ cao, dầu nhớt, vật nhọn bén và bộ phận chuyển động.** Làm hỏng hay cuộn rối dây dẫn làm tăng nguy cơ bị điện giật.
- ▶ **Khi sử dụng dụng cụ điện cầm tay ngoài trời, dùng dây nối thích hợp cho việc sử dụng ngoài trời.** Sử dụng dây nối thích hợp cho việc sử dụng ngoài trời làm giảm nguy cơ bị điện giật.
- ▶ **Nếu việc sử dụng dụng cụ điện cầm tay ở nơi ẩm ướt là không thể tránh được, dùng thiết bị ngắt mạch tự động (RCD) bảo vệ nguồn.** Sử dụng thiết bị ngắt mạch tự động RCD làm giảm nguy cơ bị điện giật.

### An toàn cá nhân

- ▶ **Hãy tỉnh táo, biết rõ mình đang làm gì và hãy sử dụng ý thức khi vận hành dụng cụ điện cầm tay. Không sử dụng dụng cụ điện cầm tay khi đang mệt mỏi hay đang bị tác động do chất gây nghiện, rượu hay được phẩm gây ra.** Một thoáng mất tập trung khi đang vận hành dụng cụ điện cầm tay có thể gây thương tích nghiêm trọng cho bản thân.
- ▶ **Sử dụng trang bị bảo hộ cá nhân. Luôn luôn đeo kính bảo vệ mắt.** Trang bị bảo hộ như khẩu trang, giày chống trượt, nón bảo hộ, hay dụng cụ bảo vệ tai khi được sử dụng đúng nơi đúng chỗ sẽ làm giảm nguy cơ thương tật cho bản thân.
- ▶ **Phòng tránh máy khởi động bất ngờ. Bảo đảm công tắc máy ở vị trí tắt trước khi cắm vào nguồn điện và/hay lắp pin vào, khi nhắc máy lên hay khi mang xách máy.** Ngáng ngón tay vào công tắc máy để xách hay kích hoạt dụng cụ điện cầm tay khi công tắc ở vị trí mở để dẫn đến tai nạn.
- ▶ **Lấy mọi chìa hay khóa điều chỉnh ra trước khi mở điện dụng cụ điện cầm tay.** Khóa hay chìa còn gắn dính vào bộ phận quay của dụng cụ điện cầm tay có thể gây thương tích cho bản thân.

- ▶ **Không rướn người. Luôn luôn giữ tư thế đứng thích hợp và thẳng bằng.** Điều này tạo cho việc điều khiển dụng cụ điện cầm tay tốt hơn trong mọi tình huống bất ngờ.
- ▶ **Trang phục thích hợp. Không mặc quần áo rộng lủng thùng hay mang trang sức. Giữ tóc và quần áo xa khỏi các bộ phận chuyển động.** Quần áo rộng lủng thùng, đồ trang sức hay tóc dài có thể bị cuốn vào các bộ phận chuyển động.
- ▶ **Nếu có các thiết bị đi kèm để nối máy hút bụi và các phụ kiện khác, bảo đảm các thiết bị này được nối và sử dụng tốt.** Việc sử dụng các thiết bị gom hút bụi có thể làm giảm các độc hại liên quan đến bụi gây ra.
- ▶ **Không để thói quen do sử dụng thường xuyên dụng cụ khiến bạn trở nên chủ quan và bỏ qua các quy định an toàn dụng cụ.** Một hành vi bất cẩn có thể gây ra thương tích nghiêm trọng chỉ trong tích tắc.

### Sử dụng và bảo dưỡng dụng cụ điện cầm tay

- ▶ **Không được ép máy. Sử dụng dụng cụ điện cầm tay đúng loại theo đúng ứng dụng của bạn.** Dụng cụ điện cầm tay đúng chức năng sẽ làm việc tốt và an toàn hơn theo đúng tiến độ mà máy được thiết kế.
- ▶ **Không sử dụng dụng cụ điện cầm tay nếu như công tắc không tắt và mở được.** Bất kỳ dụng cụ điện cầm tay nào mà không thể điều khiển được bằng công tắc là nguy hiểm và phải được sửa chữa.
- ▶ **Rút phích cắm ra khỏi nguồn điện và/hay pin ra khỏi dụng cụ điện cầm tay nếu có thể tháo được, trước khi tiến hành bất kỳ điều chỉnh nào, thay phụ kiện, hay cất dụng cụ điện cầm tay.** Các biện pháp ngăn ngừa như vậy làm giảm nguy cơ dụng cụ điện cầm tay khởi động bất ngờ.
- ▶ **Cất giữ dụng cụ điện cầm tay không dùng tới nơi trẻ em không lấy được và không cho người chưa từng biết dụng cụ điện cầm tay hay các hướng dẫn này sử dụng dụng cụ điện cầm tay.** Dụng cụ điện cầm tay nguy hiểm khi ở trong tay người chưa được chỉ cách sử dụng.
- ▶ **Bảo quản dụng cụ điện cầm tay và các phụ kiện. Kiểm tra xem các bộ phận chuyển động có bị sai lệch hay kẹt, các bộ phận bị rạn nứt và các tình trạng khác có thể ảnh hưởng đến sự vận hành của máy. Nếu bị hư hỏng, phải sửa chữa máy trước khi sử dụng.** Nhiều tai nạn xảy ra do bảo quản dụng cụ điện cầm tay tồi.
- ▶ **Giữ các dụng cụ cất bên và sạch.** Bảo quản đúng cách các dụng cụ cất có cạnh cắt bén làm giảm khả năng bị kẹt và dễ điều khiển hơn.

- ▶ **Sử dụng dụng cụ điện cầm tay, phụ kiện, đầu cài v. v., đúng theo các chỉ dẫn này, hãy lưu ý đến điều kiện làm việc và công việc phải thực hiện.** Sự sử dụng dụng cụ điện cầm tay khác với mục đích thiết kế có thể tạo nên tình huống nguy hiểm.
- ▶ **Giữ tay cầm và bề mặt nắm luôn khô ráo, sạch sẽ và không dính dầu mỡ.** Tay cầm và bề mặt nắm trơn trượt không đem lại thao tác an toàn và kiểm soát dụng cụ trong các tình huống bất ngờ.

#### Sử dụng và bảo quản dụng cụ dùng pin

- ▶ **Chỉ được sạc pin lại với bộ nạp điện do nhà sản xuất chỉ định.** Bộ nạp điện thích hợp cho một loại pin có thể gây nguy cơ cháy khi sử dụng cho một loại pin khác.
- ▶ **Chỉ sử dụng dụng cụ điện cầm tay với loại pin được thiết kế đặc biệt dành riêng cho máy.** Sử dụng bất cứ loại pin khác có thể dẫn đến thương tật hay cháy.
- ▶ **Khi không sử dụng pin, để cách xa các vật bằng kim loại như kẹp giấy, tiền xu, chìa khoá, đinh, ốc vít hay các đồ vật kim loại nhỏ khác, thứ có thể tạo sự nối tiếp từ một đầu cực với một đầu cực khác.** Sự chập mạch của các đầu cực với nhau có thể gây bóng hay cháy.
- ▶ **Bảo quản ở tình trạng tối, dung dịch từ pin có thể tửa ra; tránh tiếp xúc.** Nếu vô tình chạm phải, hãy xối nước để rửa. Nếu dung dịch vào mắt, cần thêm sự hỗ trợ của y tế. Dung dịch tiết ra từ pin có thể gây ngứa hay bóng.
- ▶ **Không được sử dụng bộ pin hoặc dụng cụ đã bị hư hại hoặc bị thay đổi.** Pin hỏng hoặc bị thay đổi có thể gây ra những tác động không lường trước được như cháy nổ hoặc nguy cơ thương tích.
- ▶ **Không đặt bộ pin hoặc dụng cụ ở gần lửa hoặc nơi quá nhiệt.** Tiếp xúc với lửa hoặc nhiệt độ cao trên 130 °C có thể gây nổ.
- ▶ **Tuân thủ tất cả các hướng dẫn nạp và không nạp bộ pin hay dụng cụ ở bên ngoài phạm vi nhiệt độ đã được quy định trong các hướng dẫn.** Nạp không đúng cách hoặc ở nhiệt độ ngoài phạm vi nạp đã quy định có thể làm hư hại pin và gia tăng nguy cơ cháy.

#### Bảo dưỡng

- ▶ **Đưa dụng cụ điện cầm tay của bạn đến thợ chuyên môn để bảo dưỡng, chỉ sử dụng phụ tùng đúng chủng loại để thay.** Điều này sẽ đảm bảo sự an toàn của máy được giữ nguyên.
- ▶ **Không bao giờ sửa chữa các bộ pin đã hư hại.** Chỉ cho phép nhà sản xuất hoặc các nhà cung cấp dịch vụ có ủy quyền thực hiện dịch vụ sửa chữa cho các bộ pin.

#### Cảnh báo an toàn cho cửa kiểu cung

- ▶ **Các cửa kiểu cung được dùng để cắt gỗ hoặc các sản phẩm giống gỗ, không thể dùng các cửa này với các bánh mài cắt đứt để cắt các vật liệu dạng thanh, tròn, chốt.** Bụi mài mòn khiến các bộ phận chuyển động ví dụ như tấm chắn bảo vệ phía dưới bị kẹt. Các tia lửa từ quá trình mài cắt đứt sẽ đốt cháy tấm chắn bảo vệ bên dưới, lớp chèn rãnh khoét và các bộ phận bằng nhựa khác.
- ▶ **Sử dụng kẹp để đỡ phôi gia công bất cứ khi nào có thể.** Nếu đỡ phôi gia công bằng tay, phải luôn giữ tay cách xa một trong hai phía của lưỡi cửa ít nhất là 100 mm. Không sử dụng cửa này để cắt các chi tiết quá nhỏ khó kẹp chặt hoặc khó giữ chặt bằng tay. Nếu tay của bạn đặt quá gần lưỡi cửa, sẽ có nguy cơ bị thương do chạm vào lưỡi cửa.
- ▶ **Phôi gia công phải tinh và được kẹp chặt hoặc giữ chặt vào cả tấm chắn và bàn.** Không cho phôi gia công vào lưỡi hoặc cắt bằng tay trần dưới bất kỳ hình thức nào. Các phôi gia công động hoặc không được kim giữ có thể bắn với tốc độ cao, gây ra thương tích.
- ▶ **Đẩy cửa xuyên qua phôi gia công.** Không kéo cửa xuyên qua phôi gia công. Để cắt, hãy nâng cao đầu cửa và kéo nó qua phía trên phôi gia công mà không cắt, khởi động mô tơ, nhấn đầu cửa xuống và đẩy cửa xuyên qua phôi gia công. Việc cắt theo hành trình đi lên có thể khiến lưỡi cửa đi lên phần đỉnh của phôi gia công và làm văng mạnh cụm lưỡi cửa vào người vận hành.
- ▶ **Không được đặt tay ngang qua đường sắp cắt ở phía trước hoặc phía sau lưỡi cửa.** Việc đỡ phôi gia công bằng "hai tay chéo nhau" ví dụ như giữ phôi gia công ở bên phải của lưỡi cửa bằng tay trái và ngược lại sẽ rất nguy hiểm.
- ▶ **Không với tay ra phía sau tấm chắn mà chỉ cách mỗi phía của lưỡi cửa chưa đến 100 mm, để loại bỏ vụn gỗ, hoặc vì lý do nào khác trong khi lưỡi cửa đang quay.** Độ gần giữa lưỡi cửa đang quay với bàn tay bạn có thể không rõ ràng và có thể gây ra thương tích nặng.
- ▶ **Kiểm tra phôi gia công trước khi cắt.** Nếu phôi bị cong vênh, hãy kẹp phôi gia công có mặt ngoài cong vênh vào tấm chắn. Luôn đảm bảo không có khe hở giữa phôi gia công, tấm chắn và bàn dọc theo đường cắt. Phôi cong vênh có thể bị vắn xoắn hoặc biến dạng và có thể làm kẹt lưỡi cửa đang quay trong khi cắt. Không được có đinh hoặc các vật lạ trong phôi gia công.
- ▶ **Không sử dụng cửa cho đến khi đã dọn sạch tất cả các dụng cụ, vụn gỗ., trên bàn, ngoài trừ phôi gia công.** Những mảnh vụn nhỏ, các mảnh gỗ lỏng hoặc những vật thể khác khi tiếp

xúc với lưỡi dao đang quay có thể bị văng ra với tốc độ cao.

- ▶ **Mỗi lần chỉ cắt một phiá gia công.** Nhiều phiá gia công xếp chồng có thể không được kẹp chặt và gia cố chặt, do đó có thể gây kẹt hoặc làm biến dạng lưỡi cưa trong quá trình cắt.
- ▶ **Đảm bảo cưa kiểu cung đã được lắp và định vị cân bằng, gia cố bề mặt làm việc trước khi sử dụng.** Bề mặt làm việc bằng phẳng và chắc chắn sẽ giảm nguy cơ không ổn định của cưa kiểu cung.
- ▶ **Lập kế hoạch công việc.** Mỗi lần bạn thay đổi thiết lập góc xiên hoặc góc 45 độ, hãy đảm bảo tấm chắn điều chỉnh được lắp đặt đúng cách để đỡ phiá gia công và sẽ không gây trở ngại cho lưỡi cưa hay hệ thống chắn. Nếu dụng cụ không quay khi được "BẬT" và không có phiá gia công trên bàn, hãy đưa lưỡi cưa xuyên qua một đường cắt mô phỏng hoàn thiện để đảm bảo sẽ không có trở ngại hoặc nguy hiểm nào khi tấm chắn bị cắt.
- ▶ **Cung cấp đầy đủ các dụng cụ đỡ ví dụ như các phần mở rộng bàn, bệ đỡ máy cưa, vv cho loại phiá gia công rộng hơn hoặc dài hơn chóp bàn.** Các phiá gia công dài hơn hoặc rộng hơn bàn cưa kiểu cung có thể bị đổ nếu không được đỡ chắc chắn. Nếu chi tiết cắt hoặc phiá gia công bị đổ, nó có thể nhấc bổng tấm chắn bên dưới hoặc bị văng xa bởi lưỡi cưa đang quay.
- ▶ **Không sử dụng một người khác để thay thế phần mở rộng bàn hoặc làm vật đỡ bổ sung.** Việc đỡ phiá gia công không chắc chắn có thể khiến lưỡi cưa bị kẹt hoặc phiá gia công bị biến dạng trong lúc cắt, do đó bạn và người trợ giúp có thể bị kéo vào lưỡi cưa đang quay.
- ▶ **Không được chèn hoặc nhấn chi tiết cắt bằng bất kỳ công cụ nào tỳ vào lưỡi cưa đang quay.** Nếu bị giới hạn, tức là sử dụng các cỡ chặn chiều dài, chi tiết cắt có thể bị chèn chặt vào lưỡi cưa và bị văng mạnh.
- ▶ **Luôn sử dụng kẹp hoặc đồ gá được thiết kế để đỡ các vật liệu hình tròn như thanh đòn hoặc ống.** Các thanh đòn có xu hướng lăn đi khi bị cắt, khiến lưỡi cưa bị "kẹt" và kéo sản phẩm cùng tay bạn vào lưỡi cưa.
- ▶ **Để lưỡi cưa đạt tốc độ đầy đủ trước khi cho chạm vào phiá gia công.** Việc này sẽ làm giảm nguy cơ phiá gia công bị văng đi.
- ▶ **Nếu phiá gia công hoặc lưỡi cưa bị kẹt, hãy tắt cưa kiểu cung. Chờ cho tất cả các bộ phận chuyển động dừng lại và rút phích cắm ra khỏi nguồn điện và/hoặc tháo bộ nguồn pin. Sau đó đỡ vật liệu bị kẹt.** Nếu tiếp tục cưa khi phiá gia công bị kẹt có thể gây mất kiểm soát hoặc làm hư hỏng cưa kiểu cung.
- ▶ **Sau khi cắt xong, hãy nhả công tắc, giữ đầu cưa xuống dưới và chờ cho lưỡi cưa dừng lại**

trước khi bỏ chi tiết cắt ra. Với tay vào gần lưỡi cưa đang trượt xuống sẽ rất nguy hiểm.

- ▶ **Giữ tay cầm chắc chắn khi thực hiện một đường cắt chưa hoàn thiện hoặc khi nhả công tắc trước khi đầu cưa ở vị trí bên dưới.** Hành động phanh của cưa có thể khiến đầu cưa bị kéo xuống đột ngột, dẫn đến nguy cơ bị thương.
- ▶ **Không buông tay cầm khi đầu cưa, nếu đã đến vị trí thấp nhất. Luôn dẫn đầu cưa vào vị trí cao nhất bằng tay.** Nếu đầu cưa di chuyển mất kiểm soát, sẽ có nguy cơ bị thương.
- ▶ **Giữ nơi làm việc của bạn sạch sẽ.** Các hỗn hợp vật liệu là đặc biệt nguy hiểm. Bụi kim loại nhẹ có thể cháy hoặc nổ.
- ▶ **Không được sử dụng lưỡi cưa cùn, nứt, cong hay đã bị hỏng. Lưỡi cưa không bén hay mài dũa không đúng cách tạo ra mạch cưa hẹp dẫn đến sự ma sát quá mức, lưỡi cưa bị chèn chặt và dội ngược.**
- ▶ **Không được sử dụng lưỡi cưa thép gió (HSS).** Những loại lưỡi cưa như vậy có thể vỡ dễ dàng.
- ▶ **Luôn sử dụng các lưỡi cưa đúng kích cỡ và hình dáng (lưỡi kim cương khác với lưỡi tròn) của lỗ tâm.** Các lưỡi cưa không khớp với các phụ kiện cứng ghép nối của máy cưa sẽ làm lệch tâm và có thể làm mất kiểm soát.
- ▶ **Luôn luôn đẩy cần máy trở về vị trí số không trước và sau đó tắt máy.** Luôn luôn đưa tay máy về lại vị trí trung gian trước, rồi sau đó mới tắt máy đi.
- ▶ **Không được chạm vào lưỡi cưa sau khi vừa hoạt động xong, trước khi lưỡi cưa đã nguội.** Lưỡi cưa trở nên rất nóng trong lúc hoạt động.
- ▶ **Trong trường hợp pin bị hỏng hay sử dụng sai cách, hơi nước có thể bốc ra. Pin có thể cháy hoặc nổ.** Hãy làm cho thông thoáng khí và trong trường hợp bị đau phải nhờ y tế chữa trị. Hơi nước có thể gây ngứa hệ hô hấp.
- ▶ **Không được tháo pin ra.** Nguy cơ bị chập mạch.
- ▶ **Pin có thể bị hư hại bởi các vật dụng nhọn như đinh hay tuốc-nơ-vít hoặc bởi các tác động lực từ bên ngoài.** Nó có thể dẫn tới đoản mạch nội bộ và làm pin bị cháy, bốc khói, phát nổ hoặc quá nóng.
- ▶ **Chỉ sử dụng pin trong các sản phẩm của nhà sản xuất.** Chỉ bằng cách này, pin sẽ được bảo vệ tránh nguy cơ quá tải.



**Bảo vệ pin không để bị làm nóng, ví dụ, chống để lâu dài dưới ánh nắng gay gắt, lửa, chất bẩn, nước, và sự ẩm ướt.** Có nguy cơ nổ và chập mạch.

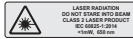
- ▶ **Dụng cụ điện được dán nhãn cảnh báo laser (xem bảng "Các biểu tượng và ý nghĩa").**

- ▶ Nếu văn bản của nhãn cảnh báo laser không theo ngôn ngữ của bạn, hãy dán chống nhãn dính được cung cấp kèm theo bằng ngôn ngữ của nước bạn lên trên trước khi sử dụng lần đầu tiên.
- ▶ Không bao giờ được làm cho các dấu hiệu cảnh báo trên máy không thể đọc được.
  -  Không được hướng tia laser vào người hoặc động vật và không được nhìn vào tia laser trực tiếp hoặc phản xạ. Bởi vì bạn có thể chiếu lóa mắt người, gây tai nạn hoặc gây hỏng mắt.
- ▶ Nếu tia laser hướng vào mắt, bạn phải nhắm mắt lại và ngay lập tức xoay đầu để tránh tia laser.
- ▶ Không thực hiện bất kỳ thay đổi nào ở thiết bị laser. Bạn có thể sử dụng các thiết lập được mô tả trong sách hướng dẫn này một cách an toàn.
- ▶ Không để trẻ em sử dụng dụng cụ điện cầm tay khi không có người lớn giám sát. Có thể vô tình làm lóa mắt người khác hoặc làm lóa mắt chính bản thân

## Các Biểu Tượng

Các biểu tượng sau đây có khả năng diễn đạt ý nghĩa về cách sử dụng dụng cụ điện cầm tay của bạn. Xin vui lòng ghi nhận các biểu tượng và ý nghĩa của chúng. Sự hiểu đúng các biểu tượng sẽ giúp bạn sử dụng máy một cách tốt và an toàn hơn.

### Biểu tượng và các ý nghĩa của chúng



**Tia laser không nhìn trực tiếp vào tia Laser hạng 2**



**Đề tay tránh khỏi phạm vi cắt khi máy đang hoạt động.** Có nguy cơ gây thương tích khi chạm vào lưỡi cưa.



**Hãy mang mặt nạ chống bụi.**



**Hãy mang kính bảo hộ.**



**Hãy mang dụng cụ bảo vệ tai.** Để tai trần tiếp xúc với tiếng ồn có thể làm mất thính giác.

### Biểu tượng và các ý nghĩa của chúng



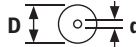
**Phạm vi nguy hiểm! Để tay, ngón tay hay cánh tay ra xa khỏi phạm vi này.**



Khi vận chuyển máy, chỉ nắm máy tại vị trí đã được chỉ rõ (phần lõm của tay nắm) hay bằng tay nắm dùng khi di chuyển.



Khi cưa góc vát/xiên dọc, phải kéo các chân điều chỉnh được ra ngoài hoặc tháo hoàn toàn.



Hãy tuân thủ kích thước của lưỡi cưa (Đường kính lưỡi cưa **D**, đường kính lỗ khoan **d**). Đường kính lỗ khoan **d** phải vừa vận với trục máy của dụng cụ, không bị lỏng lẻo. Nếu cần sử dụng ống nối chuyển tiếp, hãy đảm bảo rằng các kích thước của ống nối chuyển tiếp phải phù hợp với độ dày thép lá và đường kính lỗ khoan của lưỡi cưa cũng như đường kính của trục dụng cụ. Hãy sử dụng ống nối chuyển tiếp giao kèm với lưỡi cưa.

Đường kính lưỡi cưa **D** phải phù hợp với thông số trên biểu tượng.

Xem thêm "Kích thước cho lưỡi cưa phù hợp" trong Chương "Dữ liệu kỹ thuật".

## Mô Tả Sản Phẩm và Đặc Tính Kỹ Thuật



**Đọc kỹ mọi cảnh báo an toàn và mọi hướng dẫn.** Không tuân thủ mọi cảnh báo và hướng dẫn được liệt kê dưới đây có thể bị điện giật, gây cháy và / hay bị thương tật nghiêm trọng.

Xin lưu ý các hình minh hoạt trong phần trước của hướng dẫn vận hành.

### Sử dụng đúng cách

Dụng cụ điện được thiết kế là máy đặt cố định để cắt gỗ theo đường thẳng và chéo. Do đó có thể có góc vuông nằm ngang từ  $-48^\circ$  tới  $+48^\circ$  cũng như góc vuông thẳng đứng từ  $47^\circ$  (phía bên trái) tới  $47^\circ$  (phía bên phải).

Năng suất của dụng cụ điện được thiết kế để cưa gỗ cứng và gỗ mềm như tấm gỗ ép và tấm xơ ép. Khi sử dụng lưỡi cưa thích hợp, việc cưa nhôm định hình và nhựa cũng có thể được.

### Các bộ phận được minh họa

Việc đánh số các thành phần đã minh họa liên quan đến mô tả dụng cụ điện trên trang hình ảnh.

- |      |                                                 |      |                                                                              |
|------|-------------------------------------------------|------|------------------------------------------------------------------------------|
| (1)  | Vít khóa thiết bị trượt                         | (30) | Lưỡi cưa                                                                     |
| (2)  | Thiết bị trượt                                  | (31) | Khóa trục                                                                    |
| (3)  | Tay nắm dùng khi di chuyển                      | (32) | Nút tháo pin                                                                 |
| (4)  | Chắn bảo vệ lưỡi                                | (33) | Pin                                                                          |
| (5)  | Nút nhả khóa cửa công tắc Tắt/Mở                | (34) | Khóa an toàn dùng khi di chuyển                                              |
| (6)  | Công tắc Tắt/Mở                                 | (35) | Gọng kim loại bảo vệ nghiêng                                                 |
| (7)  | Tay Nắm                                         | (36) | Cỡ chặn chiều dài                                                            |
| (8)  | Chụp bảo vệ laser                               | (37) | Túi chứa bụi                                                                 |
| (9)  | Cửa chiếu luồng laze                            | (38) | Vít điều chỉnh cỡ định độ sâu                                                |
| (10) | Chắn dẫn hồi bảo vệ lưỡi                        | (39) | Cỡ định độ sâu                                                               |
| (11) | Bánh lăn                                        | (40) | Thanh ren                                                                    |
| (12) | Bàn cưa                                         | (41) | Gá kẹp nhanh                                                                 |
| (13) | Lỗ lắp bắt                                      | (42) | Lỗ để gắn gá kẹp nhanh                                                       |
| (14) | Thanh chèn                                      | (43) | Chìa vặn lục giác/tuốc nơ vít mũi dẹt                                        |
| (15) | Khóa khung                                      | (44) | Vít khóa cửa chắn điều chỉnh được                                            |
| (16) | Núm khóa dành cho các góc vát khác nhau (ngang) | (45) | Bánh kẹp cho góc vát (đứng)                                                  |
| (17) | Cần điều chỉnh góc vát (ngang)                  | (46) | Cần khóa cho góc vát (đứng)                                                  |
| (18) | Bộ phận bảo vệ chống lật                        | (47) | Giá lắp cho giá đỡ chi tiết gia công (trên dụng cụ điện)                     |
| (19) | Nhãn cảnh báo laser                             | (48) | Giá lắp cho giá đỡ chi tiết gia công thứ hai (trên giá đỡ chi tiết gia công) |
| (20) | Mấu khóa cho góc vát tiêu chuẩn (ngang)         | (49) | Bu-lông ren                                                                  |
| (21) | Thước đo góc vát (ngang)                        | (50) | Cút nối ống hút                                                              |
| (22) | Vít kẹp bàn cưa mở rộng                         | (51) | Vít lục giác để cố định lưỡi cưa                                             |
| (23) | Bàn Cưa mở rộng                                 | (52) | Bích kẹp                                                                     |
| (24) | Giá đỡ chi tiết gia công (có thể cắm linh hoạt) | (53) | Bích kẹp trong                                                               |
| (25) | Thanh chắn cố định                              | (54) | Vít cố định cho thanh chèn                                                   |
| (26) | Chắn điều chỉnh được                            | (55) | Vít cho chụp bảo vệ laser                                                    |
| (27) | Thước đo góc xiên (đứng)                        | (56) | Vít cố định phần chứa laser                                                  |
| (28) | Vạch chỉ độ góc cho góc xiên (đứng)             | (57) | Phần chứa laser                                                              |
| (29) | Bộ phận dẫn phoi                                | (58) | Vạch chỉ độ góc cho góc vát (ngang)                                          |
|      |                                                 | (59) | Vít bắt vạch chỉ độ góc (ngang)                                              |
|      |                                                 | (60) | Vít bắt vạch chỉ độ góc (đứng)                                               |
|      |                                                 | (61) | Chỗ lõm để nắm                                                               |

### Thông số kỹ thuật

Máy cưa vát trượt chạy pin		GCM 18V-216 D	GCM 18V-216 D
Mã số máy		<b>3 601 M51 0..</b>	<b>3 601 M51 0B. 3 601 M51 0B.</b>
Điện thế danh định	V=	18	18
Tốc độ không tải <sup>A)</sup>	/phút	5000	5000
Loại Laser	nm	650	650
	mW	< 1	< 1
Cấp độ Laser		2	2
Trọng lượng <sup>B)</sup>	kg	16,4-17,4	16,4-17,4
Nhiệt độ môi trường được khuyến nghị khi sạc	°C	0 ... +35	0 ... +35

Máy cưa vít trượt chạy pin		GCM 18V-216 D	GCM 18V-216 D
Nhiệt độ môi trường cho phép trong quá trình vận hành <sup>C)</sup> và trong quá trình lưu trữ	°C	-20 ... +50	-20 ... +50
Pin được khuyến dùng		GBA 18V... ProCORE18V...	GBA 18V... ProCORE18V...
Thiết bị nạp được giới thiệu		GAL 18... GAX 18... GAL 36...	GAL 18... GAX 18... GAL 36...
<b>Kích thước lưỡi cưa phù hợp</b>			
Đường kính lưỡi cưa <b>D</b>	mm	216	216
Độ dày lưỡi	mm	1,2–1,8	1,2–1,8
Đường kính lỗ khoan <b>d</b>	mm	30	25,4

A) được đo ở 20–25 °C với pin **ProCORE18V 8.0Ah**

B) tùy vào loại pin lốc đang sử dụng

C) hiệu suất giới hạn ở nhiệt độ < 0 °C

Kích thước vật gia công cho phép (tối đa/tối thiểu): (xem „Kích Thước Vật gia Công Cho Phép“, Trang 139)

Các giá trị có thể khác nhau tùy thuộc vào sản phẩm và tùy thuộc vào ứng dụng và điều kiện môi trường. Xem thêm thông tin chi tiết trên trang [www.bosch-professional.com/wac](http://www.bosch-professional.com/wac).

## Pin

**Bosch** mua dụng cụ điện chạy pin không có pin. Dù pin được bao gồm trong phạm vi giao hàng của dụng cụ điện, bạn có thể tháo bao gi.

### Sạc pin

- **Chỉ sử dụng bộ sạc được đề cập trong dữ liệu kỹ thuật.** Chỉ những bộ sạc này phù hợp cho dụng cụ điện cầm tay của bạn có sử dụng pin Li-Ion.

**Hướng dẫn:** Pin Lithium-ion được giao một phần do các quy định vận tải quốc tế. Để bảo đảm đầy đủ điện dung, nạp điện hoàn toàn lại cho pin trước khi sử dụng cho lần đầu tiên.

### Lắp pin

Hãy đẩy pin đã sạc vào giá gắn pin cho đến khi nó vào khớp.

### Tháo pin ra

Để tháo pin bạn hãy ấn nút mở khóa pin và kéo pin ra. **Không dùng sức.**

Pin có 2 mức khóa, có nhiệm vụ ngăn ngừa pin bị rơi ra do vô ý bấm phải nút tháo pin. Cứ khi nào pin còn được lắp trong dụng cụ điện, nó vẫn được giữ nguyên vị trí nhờ vào một lò xo.

### Đèn báo trạng thái nạp pin

Lưu ý: Không phải mọi loại pin đều có một hiển thị mức sạc.

Các đèn LED màu xanh của màn hình hiển thị tình trạng sạc pin chỉ ra tình trạng sạc của pin. Vì lý do an toàn, ta chỉ có thể kiểm tra trạng thái của tình trạng nạp điện khi máy đã ngừng hoạt động hoàn toàn.

Để hiển thị tình trạng nạp, bạn hãy nhấn nút để hiển thị mức sạc hoặc . Điều này cũng có thể thực hiện khi ắc quy được tháo ra.

Đèn LED không sáng sau khi nhấn nút để hiển thị mức sạc có nghĩa là pin bị hỏng và phải được thay thế.

#### Kiểu pin GBA 18V...



LED	Điện dung
Đèn sáng liên tục 3× màu xanh lá	60–100 %
Đèn sáng liên tục 2× màu xanh lá	30–60 %
Đèn sáng liên tục 1× màu xanh lá	5–30 %
Đèn nhấp nháy 1× màu xanh lá	0–5 %

#### Kiểu pin ProCORE18V...



LED	Điện dung
Đèn sáng liên tục 5× màu xanh lá	80–100 %
Đèn sáng liên tục 4× màu xanh lá	60–80 %
Đèn sáng liên tục 3× màu xanh lá	40–60 %
Đèn sáng liên tục 2× màu xanh lá	20–40 %
Đèn sáng liên tục 1× màu xanh lá	5–20 %
Đèn nhấp nháy 1× màu xanh lá	0–5 %

### Các Khuyến Nghị về Cách Bảo Dưỡng Tốt Nhất cho Pin

Bảo vệ pin hợp khối tránh sự ẩm ướt và nước.

Chỉ bảo quản pin trong tầm nhiệt độ nằm giữa  $-20\text{ }^{\circ}\text{C}$  và  $50\text{ }^{\circ}\text{C}$ . Không để pin trong ô tô vào mùa hè.

Thỉnh thoảng làm sạch các khe thông gió của pin bằng cách dùng một cái cọ khô, mềm và sạch.

Sự giám sát đáng kể thời gian hoạt động sau khi nạp điện chỉ rõ rằng pin hợp khối đã hết công dụng và phải được thay.

Quy trình hoạt động được chia ra làm hai giai đoạn.

## Sự lắp vào

- ▶ **Trước khi tiến hành bất cứ công việc gì với máy (ví dụ: bảo dưỡng, thay dụng cụ v.v..) tháo pin ra khỏi dụng cụ điện.** Có nguy cơ gây thương tích khi vô tình làm kích hoạt công tắc bật/tắt.

### Các món được giao



Vui lòng tham khảo hình minh họa phạm vi giao hàng ở đầu hướng dẫn vận hành.

Trước khi vận hành lần đầu, hãy kiểm tra dụng cụ điện xem tất cả các bộ phận theo thiết kế có được cung cấp đầy đủ không:

- Cửa tấm với lưới cửa được lắp
- Bánh kẹp (45)
- Chấn điều chỉnh được (26)
- Gá kẹp nhanh (41)
- Chia vận lục giác/tước nơ vít mũi dẹt (43)
- Túi chứa bụi (37)
- Các giá đỡ chi tiết gia công (24) (2 cái)

**Lưu ý:** Hãy kiểm tra dụng cụ điện xem có hư hỏng nào không.

Trước khi tiến hành sử dụng máy, kiểm tra cẩn thận xem tất cả các chi tiết dùng bảo vệ hay các bộ phận bị hư hỏng nhẹ có hoạt động tốt và theo đúng quy định không. Tất cả các hư hỏng nhẹ phải được kiểm tra cẩn thận để bảo đảm sự hoạt động của dụng cụ được hoàn hảo. Tất cả các bộ phận phải được lắp ráp đúng cách và tất cả các điều kiện cần có phải được đáp ứng đúng và đủ để bảo đảm sự hoạt động được hoàn hảo.

Các chi tiết bảo vệ và các bộ phận hư hỏng phải được thay ngay thông qua một trung tâm bảo hành/bảo trì được ủy nhiệm.

### Lắp Ráp Các Thành Phần Chi Tiết

- Lấy tất cả các bộ phận được giao kèm theo máy ra khỏi bao bì một cách cẩn thận.
- Lấy tất cả các gói tài liệu hướng dẫn và các phụ kiện giao kèm ra khỏi máy.
- Để giúp công việc dễ dàng hơn khi lắp ráp các phần tử thiết bị được cung cấp, hãy đảm bảo dụng cụ điện ở vị trí vận chuyển.

### Lắp giá đỡ chi tiết gia công (xem Hình A1)

Không thể định vị các giá đỡ chi tiết gia công (24) bên trái, bên phải hoặc phía trước trên dụng cụ điện. Hệ thống cảm linh hoạt cho phép bạn có nhiều biến thể kéo dài hoặc mở rộng (xem hình ảnh G).

- Tùy theo nhu cầu, cắm giá đỡ chi tiết gia công (24) vào giá lắp (47) trên dụng cụ điện hoặc vào các giá lắp (48) của giá đỡ chi tiết gia công.

- ▶ **Không bao giờ mang đỡ dụng cụ điện trên các giá đỡ chi tiết gia công.** Chỉ sử dụng các thiết bị vận chuyển khi vận chuyển dụng cụ điện.

### Lắp bánh kẹp (xem Hình A2)

Bánh kẹp (45) cố định góc vít dục đã chỉnh và cần dùng để vận hành an toàn.

- Tháo đai ốc lục giác khỏi các bu-lông ren (49).
- Vặn vít bánh kẹp (45) theo chiều kim đồng hồ lên các bu-lông ren (49) và siết chặt.

### Lắp thanh chấn điều chỉnh được (xem Hình A3)

Thanh chấn điều chỉnh được (26) phải được lắp trước khi cưa.

- Hãy đẩy thanh chấn (26) bên phải ra khỏi lưới cửa vào rãnh tương ứng và siết chặt vít khóa (44). Phần dẹt của thanh chấn phải hướng vào bên trong về phía lưới cửa.

### Lắp bắt cố định hay linh hoạt

- ▶ **Để bảo đảm sự điều khiển được an toàn, máy phải được lắp bắt lên trên một bề mặt phẳng và vững chãi (vd. bàn thợ) trước khi sử dụng.**

### Lắp ráp trên bề mặt gia công (xem Hình B1–B2)

- Bắt chắc dụng cụ điện bằng loại vít lắp bắt thích hợp lên trên bề mặt gia công. Các lỗ khoan dùng cho mục đích này (13).

hoặc

- Kẹp dụng cụ điện bằng loại hàm kẹp có trên thị trường, và kẹp các chân máy vào bề mặt gia công.

### Lắp ráp trên giá cưa Bosch

Với các chân có thể điều chỉnh được chiều cao, giá cưa GTA Bosch tạo được sự vững chắc cho dụng cụ điện khi đặt trên bất kỳ bề mặt nào. Chi tiết gia công hỗ trợ của giá cưa được sử dụng để làm nền đỡ cho vật gia công dài.

- ▶ **Hãy đọc mọi cảnh báo và hướng dẫn đính kèm giá cưa.** Không tuân thủ các cảnh báo an toàn và hướng dẫn có thể dẫn đến việc bị điện giật, cháy và/hoặc gây ra thương tích nghiêm trọng.

- ▶ **Lắp ráp giá cưa đúng cách trước khi gắn dụng cụ điện.** Sự lắp ráp hoàn hảo là quan trọng để ngăn ngừa nguy cơ bị sập.

- Gắn lắp dụng cụ điện lên giá cửa ở tư thế vận chuyển.

### Bàn linh hoạt (không khuyến cáo) (xem hình B3)

Trong trường hợp ngoại lệ, nếu không thể lắp dụng cụ điện lên một bề mặt gia công bằng phẳng và ổn định, bạn có thể tạm thời thiết lập nó với dụng cụ chống nghiêng.

- ▶ **Không có dụng cụ chống nghiêng, dụng cụ điện không đứng vững và có thể bị lật, đặc biệt là khi cửa các góc xiên ngang và/hoặc góc xiên đứng tối đa.**
- Xoay dụng cụ chống nghiêng (18) vào hoặc ra cho đến khi dụng cụ nằm ngay trên bề mặt gia công.

### Hút Dầm/Bụi

Mạt bụi từ các vật liệu được sơn phủ ngoài có chứa chì trên một số loại gỗ, khoáng vật và kim loại có thể gây nguy hại đến sức khỏe con người. Dụng cụ chạm hay hít thở các bụi này có thể làm người sử dụng hay đứng gần bị dị ứng và/hoặc gây nhiễm trùng hệ hô hấp.

Một số hạt bụi cụ thể, ví dụ như bụi gỗ sồi hay dầu, được xem là chất gây ung thư, đặc biệt là có liên quan đến các chất phụ gia dùng xử lý gỗ (chất cromat, chất bảo quản gỗ). Có thể chỉ nên để thợ chuyên môn gia công các loại vật liệu có chứa amiăng.

- Cách xa ở mức có thể được, sử dụng hệ thống hút thích hợp cho loại vật liệu.
- Tạo không khí thông thoáng nơi làm việc.
- Khuyến nghị nên mang mặt nạ phòng độc có bộ lọc cấp P2.

Tuân thủ các qui định của quốc gia bạn liên quan đến loại vật liệu gia công.

- ▶ **Tránh không để rác tích tụ tại nơi làm việc.** Rác có thể dễ dàng bắt lửa.

Sự hút bụi/dầm có thể bị bụi, dầm hay các mảnh nhỏ của vật gia công làm cho tắc nghẽn lại.

- Tắt dụng cụ điện và tháo pin.
- Hãy chờ cho đến khi lưới cửa dừng hẳn.
- Xác định nguyên nhân làm tắc nghẽn và chỉnh sửa lại.

### Hệ thống hút bụi tích hợp (xem Hình C)

Để dễ dàng hứng các vỏ bào, hãy sử dụng túi chứa bụi kèm theo (37).

- Chỉnh dọc tay cầm vận chuyển (3).
- Cắm và xoay túi chứa bụi (37) vào nút nối ống hút (50), sao cho chốt của túi chứa bụi khớp vào khe trên nút nối ống hút.

Trong thời gian cửa, túi đựng bụi không được chạm vào các bộ phận chuyển động được của máy.

Luôn luôn trút sạch túi đựng bụi đúng lúc.

- ▶ **Kiểm tra và làm sạch túi chứa bụi sau mỗi lần sử dụng.**
- ▶ **Khi cửa vật liệu bằng nhôm, tháo túi chứa bụi ra để ngăn nguy cơ gây cháy.**

### Máy Hút Bụi Ngoài

Trên đầu nối hút (50) bạn cũng có thể lắp một vòi hút bụi (Ø 35 mm) để hút.

- Gắn ống hút bụi với đầu nối hút (50).

Máy hút bụi phải thích hợp dành cho loại vật liệu đang gia công.

Khi hút bụi khô loại đặc biệt gây nguy hại đến sức khỏe hoặc gây ra ung thư, hãy sử dụng máy hút bụi loại chuyên dụng.

### Thay lưới cửa (xem Hình D1–D4)

- ▶ **Trước khi tiến hành bất cứ công việc gì với máy (ví dụ: bảo dưỡng, thay dụng cụ v.v..) tháo pin ra khỏi dụng cụ điện.** Có nguy cơ gây thương tích khi vô tình làm kích hoạt công tắc bật/tắt.
- ▶ **Khi lắp ráp lưới cửa, hãy mang găng tay bảo hộ vào.** Nếu chạm vào lưới cửa sẽ có nguy cơ bị thương.

Chỉ sử dụng lưới cửa có tốc độ tối đa cho phép cao hơn tốc độ không tải của dụng cụ điện.

Chỉ sử dụng lưới cửa phù hợp với các đặc tính kỹ thuật được ghi rõ trong các hướng dẫn sử dụng và đã được thử nghiệm, và được đánh dấu đáp ứng tiêu chuẩn EN 847-1.

Chỉ sử dụng lưới cửa do nhà sản xuất máy khuyến nghị, và thích hợp để cửa loại vật liệu được gia công cắt. Điều này giúp tránh được quá nhiệt rằng cửa khi cửa.

### Tháo Lưới Cửa

- Đặt máy ở tư thế hoạt động.
- Xoay chắn đàn hồi bảo vệ lưới (10) ra phía sau và giữ nó ở vị trí này.
- Vận vít đầu có lỗ sáu cạnh (51) bằng cơ lỏ sáu cạnh (6 mm) (43) và đồng thời nhấn khóa hãm trục (31), cho đến khi vào khớp.
- Bấm giữ khóa hãm trục (31) và xoay vít lục giác (51) theo chiều kim đồng hồ (ren trái!).
- Tháo bích kẹp (52).
- Tháo lưới cửa (30).
- Từ từ đưa chắn đàn hồi bảo vệ lưới xuống trở lại.

### Lắp Lưới Cửa

- ▶ **Khi lắp lưới cửa, hãy lưu ý rằng chiều cắt của răng (chiều của mũi tên trên lưới cửa) cùng chiều với chiều mũi tên trên chắn bảo vệ!**

Nếu thấy cần, làm sạch tất cả các bộ phận sắp lắp vào trước khi ráp.

- Xoay chắn đàn hồi bảo vệ lưới (10) ra phía sau và giữ nó ở vị trí này.



- Lắp lưỡi cưa mới vào lên trên bích kẹp trong (53).
- Đặt bích kẹp (52) và vít lục giác (51) lên. Bấm khóa hãm trục (31) cho đến khi vào khớp và vặn chặt vít sáu cạnh ngược chiều kim đồng hồ.
- Từ từ đưa chắn dần hồi bảo vệ lưỡi xuống trở lại.

## Vận Hành

- ▶ **Trước khi tiến hành bất cứ công việc gì với máy (ví dụ: bảo dưỡng, thay dụng cụ v.v..) tháo pin ra khỏi dụng cụ điện.** Có nguy cơ gây thương tích khi vô tình làm kích hoạt công tắc bật/tắt.

### Khóa an toàn dùng khi di chuyển (xem Hình E)

Khóa an toàn dùng khi di chuyển (34) cho phép xử lý dụng cụ điện để dàng hơn khi di chuyển máy đến các địa điểm làm việc khác nhau.

#### Tháo Khóa Máy (Vị Trí Hoạt Động)

- Ấn nhẹ dụng cụ xuống ở vị trí tay nắm (7) để nhả khóa an toàn dùng khi di chuyển (34).
- Kéo khóa an toàn dùng khi di chuyển (34) hoàn toàn rời ra ngoài.
- Nhấc tay máy lên từ từ.

#### Bảo Vệ An Toàn Máy (Vị Trí Di Chuyển)

- Nới lỏng vít định vị (1), nếu vít này kẹp thiết bị trượt (2). Kéo tay máy hoàn toàn về phía trước và siết chặt vít khóa trở lại để khóa thiết bị trượt.
- Hãy kéo cỡ định độ sâu (39) lên trên.
- Để khóa bàn cưa (12), siết chặt vít khóa (16).
- Hãy quay tay máy xuống bằng tay nắm (7) cho đến khi khóa an toàn dùng để di chuyển (34) được ấn hoàn toàn vào trong.

#### Di chuyển chắn (xem Hình H)

Khi cưa góc vát ngang và/hoặc góc xiên đứng, bạn phải kéo hoặc rút hẳn chắn điều chỉnh được bên trái hoặc phải (26) ra ngoài.

Góc vát dọc	Góc vát ngang	
0°–22,5° (bên trái/bên phải)	> 0°	– <b>Nới lỏng</b> vít khóa bên trái/bên phải (44). – Kéo chắn điều chỉnh được bên trái/bên phải (26) ra ngoài hoàn toàn.
22,5°–47° (bên trái/bên phải)	≤ 48° (bên trái/bên phải)	– <b>Nới lỏng</b> vít khóa bên trái/bên phải (44). – Kéo chắn điều chỉnh được bên trái/bên phải (26) ra ngoài hoàn toàn. – Tháo chắn điều chỉnh được hướng lên trên.

#### Cố định vật gia công (xem Hình I)

Để đảm bảo an toàn lao động tốt nhất, vật gia công phải luôn luôn được kẹp chặt.

Nếu không, khoảng cách từ tay của bạn đến lưỡi cưa đang quay là quá nhỏ.

- Đẩy thật sát vật gia công vào thước dẫn hướng (26) và (25).

Cần máy lúc này đã được khóa an toàn lại để chuyển vận.

### Chuẩn Bị cho sự Hoạt Động

Để bảo đảm đường cắt chính xác, sự điều chỉnh cơ bản của máy phải được kiểm tra và điều chỉnh lại như là việc cần thiết sau khi hoạt động cao độ. Việc này đòi hỏi phải có một mức độ kinh nghiệm nhất định và các dụng cụ chuyên môn thích hợp.

Trạm phục vụ hàng sau khi bán của Bosch sẽ xử lý việc bảo trì này một cách nhanh chóng và đáng tin cậy.

#### Kéo dài/mở rộng bàn cưa (xem Hình F–G)

Các chi tiết gia công dài và/hay nặng phải được kê đỡ ở phần đầu trống.

Bàn cưa có thể được kéo dài sang trái hoặc phải nhờ chức năng bàn cưa mở rộng (23).

- Nới lỏng vít kẹp (22).
- Kéo bàn cưa mở rộng (23) ra ngoài cho đến khi đạt được độ dài mong muốn.
- Để cố định bàn cưa mở rộng, hãy siết lại vít kẹp (22).

Hệ thống cấm linh hoạt của giá đỡ chi tiết gia công (24) cho phép bạn có nhiều biến thể kéo dài hoặc mở rộng.

- Tùy theo nhu cầu, cấm giá đỡ chi tiết gia công (24) vào giá lắp (47) trên dụng cụ điện hoặc vào các giá lắp (48) của giá đỡ chi tiết gia công.

- ▶ **Không bao giờ mang đỡ dụng cụ điện trên các giá đỡ chi tiết gia công.**  
**Chỉ sử dụng các thiết bị vận chuyển khi vận chuyển dụng cụ điện.**

- Lắp gá kẹp nhanh được giao kèm máy (41) vào một trong các lỗ khoan được thiết kế cho nó (42).

- Điều chỉnh thanh ren (40) của gá kẹp nhanh chỉnh chiều cao của vật gia công.
- Siết thanh ren (40) thật chặt để cố định vật gia công.

## Điều chỉnh Góc Vát Ngang

### Điều chỉnh góc vát ngang tiêu chuẩn (xem hình J)

Mẫu khóa trên bàn cưa được thiết kế để điều chỉnh nhanh và chính xác các góc vát ngang thường được sử dụng (20):

Trái	bên phải
0°	
45°; 30°; 22,5°; 15°	15°; 22,5°; 30°; 45°

- Nới lỏng núm khóa (16) trong trường hợp đã được siết chặt.
- Kéo cần (17) và xoay bàn cưa (12) về bên phải hay trái mẫu khóa theo yêu cầu.
- Thả cần ra lại. Cần phải ăn khớp với mẫu khóa.
- Siết chặt núm khóa (16) lại như trước.

### Điều chỉnh góc vát ngang bất kỳ (xem hình K)

Có thể điều chỉnh góc vát ngang trong phạm vi từ 48° (phía bên trái) đến 48° (phía bên phải).

- Nới lỏng núm khóa (16) trong trường hợp đã được siết chặt.
- Kéo cần (17) và đồng thời ấn khóa khung (15) cho đến khi nó khóa vào khác. Nhờ đó, bàn cưa sẽ chuyển động linh hoạt.
- Xoay bàn cưa (12) qua trái hay phải bằng núm khóa cho đến khi phần chỉ báo góc (58) chỉ rõ góc vát ngang yêu cầu.
- Siết chặt núm khóa (16) lại như trước.
- Để nới lỏng cần (17) lại như trước (để điều chỉnh góc vát ngang tiêu chuẩn), hãy kéo cần lên. Khóa khung (15) này trở về vị trí ban đầu và cần (17) có thể khóa vào mẫu khớp (20).

## Điều chỉnh Góc Xiên Nằm Thẳng Đứng

Có thể điều chỉnh góc vát dọc trong phạm vi từ 47° (phía bên trái) đến 47° (phía bên phải).

Để điều chỉnh nhanh và chính xác các góc xiên đứng thường xuyên được sử dụng, các vị trí cố định cho góc được thiết kế ở các mức 0°, 22,5° và 45° và °.

- Hãy đảm bảo rằng, bánh kẹp (45) được lắp (xem „Lắp bánh kẹp (xem Hình A2)“, Trang 135).

### Điều chỉnh góc xiên nằm thẳng đứng (xem Hình L)

- Kéo các thanh chắn điều chỉnh được (26) ra ngoài hết cỡ hoặc loại bỏ hoàn toàn.
- Nhả bánh kẹp (45).
- Kéo cần khóa (46) ra ngoài và khớp nó vào vị trí chạy không tải.  
Điều này cho phép bạn sử dụng toàn bộ phạm vi góc vát (bên trái và bên phải).
- Cắm vào tay nắm (7) và xoay tay máy sang trái hoặc sang phải cho đến khi phần chỉ báo góc (28) hiển thị góc vát dọc tiêu chuẩn mong muốn.

- Xoay cần khóa (46). Cần khóa phải khớp trong vị trí của góc vát dọc tiêu chuẩn mong muốn.
- Siết chặt lại bánh kẹp (45).

### Điều chỉnh Góc Xiên Bất Kỳ

- Kéo các thanh chắn điều chỉnh được (26) ra ngoài hết cỡ hoặc loại bỏ hoàn toàn.
- Nhả bánh kẹp (45).
- Kéo cần khóa (46) ra ngoài và khớp nó vào vị trí chạy không tải.  
Điều này cho phép bạn sử dụng toàn bộ phạm vi góc vát (bên trái và bên phải).
- Cắm vào tay nắm (7) và xoay tay máy sang trái hoặc sang phải cho đến khi phần chỉ báo góc (28) hiển thị góc xiên thẳng đứng mong muốn.
- Siết chặt lại bánh kẹp (45).

## Bắt Đầu Vận Hành

- ▶ Luôn luôn siết chặt núm khóa (16) và bánh kẹp (45) trước khi cưa. Nếu không, lưỡi cưa có thể bị kẹp chặt trong vật gia công.

### Bật (xem Hình M)

- Để bật dụng cụ điện, trước tiên đẩy khóa an toàn (5) về giữa, tiếp theo bấm công tắc Tắt/Mở (6) và ấn giữ.

**Lưu ý:** Vì lý do an toàn, không thể mở khóa công tắc Tắt/Mở (6), mà phải luôn bấm giữ trong khi vận hành dụng cụ.

### Đề tắt máy

- Để tắt máy thả công tắc Tắt/Mở (6) ra.

## Cưa

### Các Hướng Dẫn Cưa Tổng Quát

- ▶ Luôn luôn siết chặt núm khóa (16) và bánh kẹp (45) trước khi cưa. Nếu không, lưỡi cưa có thể bị kẹp chặt trong vật gia công.
- ▶ Trong mọi kiểu cắt, trước tiên phải bảo đảm rằng lưỡi cưa trong bất cứ trường hợp nào cũng không thể chạm vào thanh chắn, vít ngàm khóa hay các bộ phận máy khác. Tháo cũ chặn phụ có thể đã được gắn vào hay điều chỉnh chúng cho thích ứng.

Bảo vệ lưỡi cưa tránh bị va đập hay chạm mạnh. Không để lưỡi cưa phải chịu lực áp hông.

Chỉ cưa các vật liệu đã được phê duyệt để sử dụng đúng cách.

Không được cưa vật gia công bị cong hay bị oằn. Vật gia công phải luôn luôn có cạnh thẳng và áp sát vào thanh chắn.

Các chi tiết gia công dài và/hay nặng phải được kê đỡ ở phần đầu trống.

Đảm bảo chắn đàn hồi bảo vệ lưỡi hoạt động đúng quy định và có thể di chuyển linh hoạt. Khi kéo tay máy xuống, chắn đàn hồi bảo vệ lưỡi phải mở. Khi kéo tay máy lên, chắn đàn hồi bảo vệ lưỡi phải

đóng lại trên lưỡi cưa và khóa vào vị trí trên cùng của tay máy.

#### Tư thế của người thao tác (xem hình N)

► **Không được đứng thẳng hàng với lưỡi cưa ở đằng trước máy. Luôn luôn đứng qua một bên lưỡi cưa.** Điều này phòng tránh cho thân thể bạn gặp khả năng bị dội ngược.

- Để tay, ngón tay và cánh tay tránh khỏi lưỡi cưa đang quay.
- Không vươn tay qua trước tay máy.

#### Cưa với Chuyển Động Trượt

- Để cắt với sự hỗ trợ của thiết bị trượt (2) (vật gia công rộng), hãy nới lỏng vít định vị (1), nếu vít này được siết chặt.
- Điều chỉnh góc xiên ngang và/hoặc đứng mong muốn nếu cần.
- Đẩy thật sát vật gia công vào thước dẫn hướng (25) và (26).
- Kẹp vật gia công thật chặt phù hợp với kích thước của nó.
- Kéo tay máy cách xa thanh chắn (25) cho đến khi lưỡi cưa đến trước vật gia công.
- Bật công tắc cho máy hoạt động.
- Cầm vào tay nắm (7) và chậm chậm kéo tay máy xuống.
- Bây giờ, đẩy cần dụng cụ hướng tới thước dẫn hướng (25) và (26) và cưa ngang qua vật gia công với lực gia tải đồng đều.
- Tắt máy và đợi cho đến khi lưỡi cưa đã ngừng quay hoàn toàn.
- Nhấc tay máy lên từ từ.

#### Cưa không chuyển động trượt (cắt đứt đoạn) (xem hình O)

- Để cắt mà không chuyển động trượt (các vật gia công nhỏ), hãy nới lỏng vít định vị (1), nếu các vít này bị siết chặt. Đẩy tay máy tới cỡ chặn theo hướng thanh chắn (25) và siết chặt vít định vị (1) trở lại.
- Điều chỉnh góc xiên ngang và/hoặc đứng mong muốn nếu cần.
- Đẩy thật sát vật gia công vào thước dẫn hướng (25) và (26).
- Kẹp vật gia công thật chặt phù hợp với kích thước của nó.
- Bật công tắc cho máy hoạt động.
- Cầm vào tay nắm (7) và chậm chậm kéo tay máy xuống.
- Cắt xuyên qua vật gia công với lực áp lên máy đồng đều.
- Tắt máy và đợi cho đến khi lưỡi cưa đã ngừng quay hoàn toàn.
- Nhấc tay máy lên từ từ.

## Hướng Dẫn Sử Dụng

### Đánh dấu đường cắt (xem Hình P)

Hai vạch laser sẽ chỉ rõ cho bạn đường cắt của lưỡi cưa. Điều này cho phép đặt vật gia công ở vị trí chính xác để cưa mà không phải mở chắn đàn hồi bảo vệ lưỡi.

- Hãy bật tia laser, bằng cách chạm nhanh vào công tắc Tắt/Mở (6), mà không nhấn khóa an toàn (5).
- Chính thẳng hàng vị trí đánh dấu của bạn trên vật gia công giữa cả hai đường laser.

**Lưu ý:** Kiểm tra trước khi cưa xem đường cắt có hiển thị đúng không (xem „Điều chỉnh laser“, Trang 140). Luồng laser, theo như ví dụ, có thể bị lệch qua sự rung xóc khi sử dụng cao độ.

### Kích Thước Vật gia Công Cho Phép

Vật gia công **Tối đa**:

Góc xiên nằm ngang	Góc xiên nằm đứng	Chiều cao x Chiều rộng [mm]
0°	0°	70 x 305
45° (bên trái/ bên phải)	0°	70 x 215
45° (trái)	45° (trái)	42 x 215
45° (phải)	45° (phải)	20 x 215
0°	45° (trái)	42 x 305
0°	45° (phải)	20 x 305

Vật gia công **Tối thiểu** (= tất cả các vật gia công có giá kẹp nhanh (41) được giao cùng máy có thể được căng ở cả hai bên trái và phải lưỡi cưa): 100 x 40 mm (Dài x Rộng)

**Cỡ sâu cắt tối đa** (0°/0°): 70 mm

### Điều chỉnh cỡ định độ sâu (Cưa rãnh) (xem Hình Q)

Ta phải điều chỉnh cỡ định chiều sâu khi phải cưa một rãnh hờ.

- Xoay cỡ định độ sâu (39) hướng ra trước.
- Cầm vào tay nắm (7) và xoay tay máy vào vị trí mong muốn.
- Vặn vít điều chỉnh (38) cho đến khi mũi vít chạm vào cỡ định độ sâu (39).
- Nhấc tay máy lên từ từ.

### Cưa chi tiết gia công có cùng chiều dài (xem Hình R)

Để dễ dàng cưa được các chi tiết gia công có cùng chiều dài, bạn có thể sử dụng cỡ chặn chiều dài bên trái hoặc bên phải (36).

- Hãy xoay cỡ chặn chiều dài (36) lên trên.
- Điều chỉnh bàn cưa mở rộng (23) đến chiều dài phù hợp mong muốn.

### Vật Gia Công Đặc Biệt

Khi cưa vật gia công có đường cong hay tròn, những vật này đặc biệt cần phải được giữ cho chắc

chấn, tránh không để bị tuột. Tại đường cắt, không được có khe hở nào giữa vật gia công, thanh chắn và bàn cưa.

Nếu cần, gia cố thêm sự cố định một cách đặc biệt.

### Thay thanh chèn (xem Hình S)

Thanh chèn (14) có thể bị mòn sau thời gian dài sử dụng máy.

Thay thanh chèn bị hỏng.

- Đặt máy ở vào tư thế hoạt động.
- Tháo vít (54) bằng tua vít bốn cạnh thông thường và gỡ bỏ tấm ốp cũ (14).
- Lắp tấm ốp mới và siết chặt lại các vít (54).

### Điều chỉnh laser

**Lưu ý:** Để kiểm tra chức năng laser, máy phải được nối với nguồn điện.

► **Trong khi điều chỉnh laser (ví dụ khi dịch chuyển tay máy), không bao giờ được kích hoạt công tắc Tắt/Mở.** Sự vô tình khởi động dụng cụ điện có thể dẫn đến việc gây thương tích.

- Đặt máy ở vào tư thế hoạt động.
- Xoay bàn cưa (12) đến mấu khóa (20) để đạt 0°.
- Cần (17) phải ăn khớp vào mấu khóa.

Để đảm bảo độ chính xác của nhát cắt, bạn phải kiểm tra vạch laser sau khi sử dụng cường độ cao và điều chỉnh lại nếu cần.

Việc này đòi hỏi phải có một mức độ kinh nghiệm nhất định và các dụng cụ chuyên môn thích hợp. Trạm phục vụ hàng sau khi bán của Bosch sẽ xử lý việc bảo trì này một cách nhanh chóng và đáng tin cậy.

### Kiểm tra (xem Hình T1)

- Vạch một đường cắt thẳng trên vật gia công.
- Cầm vào tay nắm (7) và chậm chậm kéo tay máy xuống.
- So thẳng vật gia công cách sao cho răng của lưỡi cưa cùng nằm thẳng hàng với đường cắt.
- Giữ vật gia công ngay ở vị trí này và từ từ đưa tay máy lên trở lại.
- Kẹp chặt chi tiết gia công.
- Bật các tia laser bằng công tắc (6), mà không nhấn khóa an toàn (5).

Luồng laser phải có khoảng hở đồng bộ như nhau trên toàn chiều dài của vật gia công có vạch đường cắt, ngay cả khi hạ thấp cần dụng cụ xuống.

### Tháo chụp bảo vệ laser (xem Hình T2)

- Nới lỏng hai vít (55) của chụp bảo vệ laser (8) bằng chìa vận lục giác/tuốc nơ vít mũi dẹt (43) và tháo chụp bảo vệ laser.

### Điều chỉnh sự lệch qua một bên khi di chuyển cần dụng cụ (xem Hình T3–T4)

- Nới lỏng vít cố định (56) (khoảng 1–2 vòng). Không được tháo vít ra hoàn toàn.

- Chuyển dịch phần chứa laser (57) sang phải hay trái cho đến khi các tia laser không còn lệch sang một bên khi di chuyển cần dụng cụ xuống.
- Giữ phần chứa laser (57) ở nguyên vị trí này và siết chặt vít bắt cố định (56) lại.
- Lắp lại chụp bảo vệ laser (8) như trước.

### Kiểm tra và điều chỉnh các thiết lập cơ bản

Để bảo đảm đường cắt chính xác, sự điều chỉnh cơ bản của máy phải được kiểm tra và điều chỉnh lại như là việc cần thiết sau khi hoạt động cao độ.

Việc này đòi hỏi phải có một mức độ kinh nghiệm nhất định và các dụng cụ chuyên môn thích hợp.

Trạm phục vụ hàng sau khi bán của Bosch sẽ xử lý việc bảo trì này một cách nhanh chóng và đáng tin cậy.

### Chỉnh chỉ báo góc (ngang) (xem hình U)

- Đặt máy ở vào tư thế hoạt động.
- Xoay bàn cưa (12) đến mấu khóa (20) để đạt 0°.
- Cần (17) phải ăn khớp vào mấu khóa.

### Kiểm tra

Chỉ báo góc (58) phải ở trong một vạch có dấu 0° của thước đo (21).

### Điều chỉnh

- Nới lỏng ốc vít (59) bằng tuốc nơ vít đầu Phillips và căn chỉnh chỉ báo dọc theo dấu góc 0°.
- Siết chặt vít lại như trước.

### Chỉnh chỉ báo góc (dọc) (xem Hình V)

- Đặt máy ở vào tư thế hoạt động.
- Nhả bánh kẹp (45).
- Kéo cần khóa (46) ra ngoài và điều chỉnh một góc vát dọc 0° bằng cần dụng cụ.
- Nhả cần khóa (46). Cần khóa phải khớp trong vị trí
- Siết chặt lại bánh kẹp (45).

### Kiểm tra

Chỉ báo góc (28) phải ở trong một vạch có dấu 0° của thước đo (27).

### Điều chỉnh

- Nới lỏng ốc vít (60) bằng tuốc nơ vít đầu Phillips và căn chỉnh chỉ báo dọc theo dấu góc 0°.
- Siết chặt vít lại như trước.

### Vận chuyển dụng cụ (xem Hình W)

► **Trước khi tiến hành bất cứ công việc gì với máy (ví dụ: bảo dưỡng, thay dụng cụ v.v..) tháo pin ra khỏi dụng cụ điện.** Có nguy cơ gây thương tích khi vô tình làm kích hoạt công tắc bật/tắt.

Trước khi vận chuyển dụng cụ điện, phải tiến hành các bước như sau:

- Nới lỏng vít định vị (1) nếu vít này được siết chặt. Kéo tay máy hoàn toàn về phía trước và siết chặt vít khóa trở lại.

- Hãy đảm bảo rằng cỡ định độ sâu **(39)** được xoay ra sau hoàn toàn và vít điều chỉnh **(38)** không chạm vào cái gì khi di chuyển cần dụng cụ.
- Đưa máy vào vị trí vận chuyển.
- Nếu có thể, đặt những lưỡi cửa không được sử dụng tới vào trong một bao bì đóng gói để chuyển vận. Nếu có thể, đặt những lưỡi cửa không được sử dụng tới vào trong một bao bì đóng gói để chuyển vận.
- Chính dọc tay cầm vận chuyển **(3)**.
- Khi vận chuyển dụng cụ điện, chỉ cắm vào tay xách dụng để vận chuyển **(3)** hoặc cắm vào hốc nắm **(61)** ở bên cạnh bàn cửa.
- ▶ **Khi vận chuyển dụng cụ điện, chỉ sử dụng các thiết bị dùng vận chuyển và không bao giờ sử dụng thiết bị bảo vệ hoặc các giá đỡ chỉ tiết gia công.**

## Bảo Dưỡng và Bảo Quản

### Bảo Dưỡng Và Làm Sạch

- ▶ **Trước khi tiến hành bất cứ công việc gì với máy (ví dụ: bảo dưỡng, thay dụng cụ v.v..) tháo pin ra khỏi dụng cụ điện.** Có nguy cơ gây thương tích khi vô tình làm kích hoạt công tắc bật/tắt.
- ▶ **Để được an toàn và máy hoạt động đúng chức năng, luôn luôn giữ máy và các khe thông gió được sạch.**

Chấn bảo vệ lưỡi đàn hồi phải luôn luôn có thể chuyển động tự do, co rút tự động. Vì vậy, luôn luôn giữ cho phạm vi chung quanh chấn bảo vệ lưỡi đàn hồi được sạch.

Làm sạch bụi và dăm sau mỗi lần sử dụng máy bằng cách dùng hơi nén để thổi hay bằng cọ.

Thường xuyên vệ sinh bánh lăn **(11)**.

### Biện Pháp để làm Giảm TiếngỒn

Các biện pháp về phần nhà sản xuất:

- Khởi động Êm
- Sự chuyển giao máy với lưỡi cửa được cải tiến một cách đặc biệt để làm giảm tiếng ồn

Các biện pháp về phần người sử dụng:

- Lắp ráp có sự dao động ít trên bề mặt làm việc cứng chắc
- Sử dụng lưỡi cửa có chức năng làm giảm tiếng ồn
- Thường xuyên làm sạch lưỡi cửa và dụng cụ điện

### Dịch vụ hỗ trợ khách hàng và tư vấn sử dụng

Bộ phận phục vụ hàng sau khi bán của chúng tôi trả lời các câu hỏi liên quan đến việc bảo dưỡng và sửa chữa các sản phẩm cũng như phụ tùng thay

thế của bạn. Sơ đồ mô tả và thông tin về phụ tùng thay thế cũng có thể tra cứu theo dưới đây:

**www.bosch-pt.com**

Đội ngũ tư vấn sử dụng của Bosch sẽ giúp bạn giải đáp các thắc mắc về sản phẩm và phụ kiện.

Trong tất cả các phản hồi và đơn đặt phụ tùng, xin vui lòng luôn luôn nhập số hàng hóa 10 chữ số theo nhãn của hàng hóa.

### Việt Nam

CN CÔNG TY TNHH BOSCH VIỆT NAM TẠI TP.HCM

Tầng 14, Ngõ Nhà Đức, 33 Lê Duẩn  
Phường Bến Nghé, Quận 1, Thành Phố Hồ Chí Minh

Tel.: (028) 6258 3690

Fax: (028) 6258 3692 - 6258 3694

Hotline: 1900 9988 50

Email: [tuvankhachhang-pt@vn.bosch.com](mailto:tuvankhachhang-pt@vn.bosch.com)

[www.bosch-pt.com.vn](http://www.bosch-pt.com.vn)

**Xem thêm địa chỉ dịch vụ tại:**

[www.bosch-pt.com/serviceaddresses](http://www.bosch-pt.com/serviceaddresses)

### Vận chuyển

Pin Li-Ion được khuyến nghị là đối tượng phải tuân theo các quy định của Pháp Luật về Hàng Hóa Nguy Hiểm. Người sử dụng có thể vận chuyển pin hợp khối bằng đường bộ mà không cần thêm yêu cầu nào khác.

Khi được vận chuyển thông qua bên thứ ba (vd. vận chuyển bằng đường hàng không hay đại lý giao nhận), phải tuân theo các yêu cầu đặc biệt về đóng gói và dán nhãn. Phải tham vấn chuyên gia về hàng hóa nguy hiểm khi chuẩn bị gói hàng.

Chỉ gửi pin hợp khối khi vỏ ngoài không bị hư hỏng. Dán băng keo hay che kín các điểm tiếp xúc hở và đóng gói pin hợp khối theo cách sao cho pin không thể xô dịch khi nằm trong bao bì. Ngoài ra, xin vui lòng chấp hành các qui định chi tiết có thể được bổ sung thêm của quốc gia.

### Sự thải bỏ



Dụng cụ điện, pin, phụ kiện và bao bì cần được tái sử dụng theo quy định về môi trường.



Bạn không được ném dụng cụ điện và pin vào thùng rác gia đình!

### Pin/ác quy:

#### Li-Ion:

Tuân thủ những hướng dẫn trong phần vận chuyển (xem „Vận chuyển“, Trang 141).

مخصص للاستعمال الخارجي من خطر الصدمات الكهربائية.

◀ **إن لم يكن بالإمكان تجنب تشغيل العدة الكهربائية في الأجواء الرطبة، فاستخدم مفتاح للوقاية من التيار المتخلف.** إن استخدام مفتاح للوقاية من التيار المتخلف يقلل خطر الصدمات الكهربائية.

#### أمان الأشخاص

◀ **كن يقظا وانتبه إلى ما تفعله واستخدم العدة الكهربائية بتعقل.** لا تستخدم عدة كهربائية عندما تكون متعبا أو عندما تكون تحت تأثير المخدرات أو الكحول أو الأدوية. عدم الانتباه للحظة واحدة عند استخدام العدة الكهربائية قد يؤدي إلى إصابات خطيرة.

◀ **قم لارتداء تجهيزات الحماية الشخصية.** وارتد دائما نظارات واقية. يحد ارتداء تجهيزات الحماية الشخصية، كقناع الوقاية من الغبار وأحذية الأمان الواقية من الانزلاق والوذو أو واقية الأذنين، حسب ظروف استعمال العدة الكهربائية، من خطر الإصابة بجروح.

◀ **تجنب التشغيل بشكل غير مقصود.** تأكد من كون العدة الكهربائية مطفاة قبل توصيلها بالتيار الكهربائي و/أو بالمركم، وقبل رفعها أو حملها. إن كنت تضع إصبعك على المفتاح أثناء حمل العدة الكهربائية أو إن وصلت الجهاز بالشبكة الكهربائية بينما لا مفتاح على وضع التشغيل، قد يؤدي إلى وقوع الحوادث.

◀ **انزع أداة الضبط أو مفتاح الربط قبل تشغيل العدة الكهربائية.** قد تؤدي الأداة أو المفتاح المتواجد في جزء دوار من الجهاز إلى الإصابة بجروح.

◀ **تجنب أوضاع الجسم غير الطبيعية.** قف بأمان وحافظ على توازنك دائما. سيسمح لك ذلك بالتمكك في الجهاز بشكل أفضل في المواقف الغير متوقعة.

◀ **قم بارتداء ثياب مناسبة.** لا ترتد الثياب الفضفاضة أو الحللى. احرص على إبقاء الشعر والملابس بعيدا عن الأجزاء المتحركة. قد تشابك الثياب الفضفاضة والحلى والشعر الطويل بالأجزاء المتحركة.

◀ **إن جاز تركيب تجهيزات شفت وتجميع الغبار، فتأكد من أنها موصولة وبأنه يتم استخدامها بشكل سليم.** قد يقلل استخدام تجهيزات لشفت الغبار من المخاطر الناتجة عن الغبار.

◀ **لا تستخدم العدة الكهربائية بلا مبالاة وتجاهل قواعد الأمان الخاصة بها نتيجة لتعودك على استخدام العدة الكهربائية وكثرة استخدامها.** فقد يتسبب الاستخدام دون حرص في حدوث إصابة بالغة تحدث في أجزاء من الثانية.

**حسن معاملة واستخدام العدد الكهربائية**

◀ **لا تفرط بتحميل الجهاز.** استخدم لتنفيذ أشغالك العدة الكهربائية المخصصة لذلك. إنك تعمل بشكل أفضل وأكثر أمنا بواسطة العدة الكهربائية الملائمة في مجال الأداء المذكور.

◀ **لا تستخدم العدة الكهربائية إن كان مفتاح تشغيلها تالف.** العدة الكهربائية التي لم يعد من

## عربي

### إرشادات الأمان

#### تحذيرات أمان عامة للعدد الكهربائية

**تحذير** **اطلع على كافة تحذيرات الأمان والتعليمات والصور والمواصفات المرفقة بالعدة الكهربائية.** عدم اتباع التعليمات الواردة أدناه قد يؤدي إلى حدوث صدمة كهربائية، إلى نشوب حريق و/أو الإصابة بجروح خطيرة.

**احتفظ بجميع الملاحظات التحذيرية والتعليمات للمستقبل.**

يقصد بمصطلح «العدة الكهربائية» المستخدم في الملاحظات التحذيرية، العدد الكهربائية الموصولة بالشبكة الكهربائية (بواسطة كابل الشبكة الكهربائية) وأيضاً العدد الكهربائية المزودة بمركم (دون كابل الشبكة الكهربائية).

#### الأمان بمكان الشغل

◀ **حافظ على نظافة مكان شغلك وإضاءته بشكل جيد.** الفوضى في مكان الشغل ونطاقات العمل غير المضاء قد تؤدي إلى وقوع الحوادث.

◀ **لا تشغل بالعدة الكهربائية في نطاق معرض لخطر الانفجار مثل الأماكن التي تتوفر فيه السوائل أو الغازات أو الأبخرة القابلة للاشتعال.** العدد الكهربائية تولد شررا قد يتطاير، فيشعل الأبخرة والأبخرة.

◀ **حافظ على بقاء الأطفال وغيرهم من الأشخاص بعيدا عندما تستعمل العدة الكهربائية.** تشتت الانتباه قد يتسبب في فقدان السيطرة على الجهاز.

#### الأمان الكهربائي

◀ **يجب أن يتلائم قابس العدة الكهربائية مع المقبس.** لا يجوز تغيير القابس بأي حال من الأحوال. لا تستعمل القوايس المهائبة مع العدد الكهربائية المؤرزة (ذات طرف أرضي). تحقّق القوايس التي لم يتمّ تغييرها والمقابس الملائمة من خطر الصدمات الكهربائية.

◀ **تجنب ملامسة جسمك للأسطح المؤرزة كالأنابيب والمبردات والمواقد أو التلّاجات.** يزداد خطر الصدمات الكهربائية عندما يكون جسمك مؤرّض أو موصول بالأرضي.

◀ **أبعد العدة الكهربائية عن الأمطار أو الرطوبة.** يزداد خطر الصدمات الكهربائية إن تسرب الماء إلى داخل العدة الكهربائية.

◀ **لا تسئ استعمال الكابل.** لا تستخدم الكابل في حمل العدة الكهربائية أو سحبها أو سحب القابس من المقبس. احرص على إبعاد الكابل عن الحرارة والزيت والحواف الحادة أو الأجزاء المتحركة. تزيد الكابلات التالفة أو المتشابكة من خطر الصدمات الكهربائية.

◀ **عند استخدام العدة الكهربائية خارج المنزل اقتصر على استخدام كابلات التمديد الصالحة للاستعمال الخارجي.** يقلل استعمال كابل تمديد

ذلك. قد يؤدي سائل المرمك المتسرب إلى تهيج البشرة أو إلى الاحتراق.

- ◀ لا تستخدم عدة أو مرمك تعرضاً لأضرار أو للتعديل. البطاريات المتعرضة لأضرار أو لتعديلات قد ينتج عنها أشياء لا يمكن التنبؤ بها، قد تسبب نشوب حريق أو حدوث انفجار أو إصابات.
- ◀ لا تعرض المرمك أو العدة للهب أو لدرجة حرارة زائدة. التعرض للهب أو لدرجة حرارة أعلى من 130 °م قد يتسبب في انفجار.
- ◀ اتبع تعليمات الشحن ولا تقم بشحن المرمك أو العدة خارج نطاق درجة الحرارة المحدد في التعليمات. الشحن بشكل غير صحيح أو في درجات حرارة خارج النطاق المحدد قد يعرض المرمك لأضرار ويزيد من مخاطر الحريق.

#### الخدمة

- ◀ احرص على إصلاح عدتك الكهربائية فقط بواسطة العمال المتخصصين وباستعمال قطع الغيار الأصلية فقط. يضمن ذلك المحافظة على أمان الجهاز.
- ◀ لا تقم بإجراء أعمال خدمة على المراكم التالفة. أعمال الخدمة على المراكم يجب أن تقوم بها الجهة الصانعة فقط أو مقدم الخدمة المعتمد.

#### تحذيرات الأمان الخاصة بمناشير التلسين

- ◀ مناشير التلسين مخصصة لقطع الأخشاب أو المنتجات الشبيهة بالأخشاب، ولا يمكن استخدامها مع أقراص القطع السحبية لقطع المواد الحديدية مثل القضبان والسيقان والجويطات المعدنية وخلافه ويسبب الغبار الخشن انحصار الأجزاء المتحركة مثل الواقية السفلية. كما أن الشرر الناتج عن القطع السحبي يؤدي لاحتراق الواقية السفلية، ووليجة الشق والأجزاء البلاستيكية الأخرى.
- ◀ استخدم قامطات لتدعيم قطعة الشغل إن أمكن ذلك. وفي حالة تدعيم قطعة الشغل بيدك، فيجب أن تبعد يدك دائماً عن جانبي شفرة المنشار لمسافة لا تقل عن 100 مم. لا تستخدم هذا المنشار لقطع قطع صغيرة للغاية لدرجة يصعب معها قمتها بإحكام أو تثبيتها باليد. إذا وضعت يدك على مسافة قريبة للغاية من نصل المنشار، فسيكون هناك خطر متزايد من التعرض للإصابة من جراء ملامسة الشفرة.

- ◀ يجب أن تكون قطعة الشغل ثابتة ومحكمة التثبيت بقامطة أو مثبتة باتجاه كلا من المصدر والطاولة. لا تقم بتمرير قطعة الشغل على الشفرة ولا تقطع بأي حال من الأحوال «بدون وسائل مساعدة». فقطع الشغل غير المثبتة أو المتحركة قد تندفع عند العمل بالسرعات العالية، مما يتسبب في التعرض لإصابات.

- ◀ ادفع المنشار عبر قطعة الشغل. ولا تجذب المنشار عبر قطعة الشغل. لعمل قطعية، ارفع رأس المنشار واسحبها فوق قطعة الشغل دون إجراء قطع، ثم أدر المحرك، واضغط على رأس المنشار لأسفل وادفع المنشار عبر قطعة الشغل. أما القطع من خلال

الممكن التحكم بها عن طريق مفتاح التشغيل والإطفاء تعتبر خطيرة ويجب أن يتم إصلاحها.

- ◀ اسحب القابس من المقبس و/أو اخلع المرمك، إذا كان قابلاً للخلع، قبل ضبط الجهاز وقبل استبدال الملحقات أو قبل تخزين الجهاز. تمنع هذه الإجراءات وقائية تشغيل العدة الكهربائية بشكل غير مقصود.
- ◀ احتفظ بالعدد الكهربائي التي لا يتم استخدامها بعيداً عن متناول الأطفال. لا تسمح باستخدام العدة الكهربائية لمن لا خبرة له بها أو لمن لم يقرأ تلك التعليمات. العدد الكهربائي خطيرة إن تم استخدامها من قبل أشخاص دون خبرة.

- ◀ اعتن بالعدة الكهربائية والملحقات بشكل جيد. تأكد أن أجزاء الجهاز المتحركة مركبة بشكل سليم وغير مستعصية عن الحركة، وتفحص ما إن كانت هناك أجزاء مكسورة أو في حالة تؤثر على سلامة أداء العدة الكهربائية. ينبغي إصلاح هذه الأجزاء التالفة قبل إعادة تشغيل الجهاز. الكثير من الحوادث مصدرها العدد الكهربائي التي تتم صيانتها بشكل رديء.

- ◀ احرص على إبقاء عدد القطع نظيفة وحادة. إن عدد القطع ذات حواف القطع المادة التي تم صيانتها بعناية تتكلم بشكل أقل ويمكن توجيهها بشكل أيسر.

- ◀ استخدم العدد الكهربائي والتوايح وريش الشغل إلخ. وفقاً لهذه التعليمات. تراعى أثناء ذلك ظروف الشغل والعمل المراد تنفيذه. استخدام العدد الكهربائي لغبر الأشغال المخصصة لأجلها قد يؤدي إلى حدوث المالات الخطيرة.
- ◀ احرص على إبقاء المقابض وأسطح المسك جافة ونظيفة وخالية من الزيوت والشحوم. المقابض وأسطح المسك الزلقة لا تتبع التشغيل والتحكم الأمان في العدة في المواقف غير المتوقعة.

- ◀ حسن معاملة واستخدام العدد المزودة بمرمك اشحن المراكم فقط في أجهزة الشحن التي يُنصح باستخدامها من طرف المنتج. قد يتسبب جهاز الشحن المخصصة لنوع معين من المراكم في خطر الحريق إن تم استخدامه مع نوع آخر من المراكم.

- ◀ استخدم العدد الكهربائي فقط مع المراكم المصممة لهذا الغرض. قد يؤدي استخدام المراكم الأخرى إلى إصابات وإلى خطر نشوب المرائق.

- ◀ حافظ على إبعاد المرمك الذي لا يتم استعماله عن مشابك الورق وقطع النقود المعدنية والمفاتيح والمسامير واللواكب أو غيرها من الأغراض المعدنية الصغيرة التي قد تقوم بتوصيل الملامسين ببعضهما البعض. قد يؤدي تقصير الدارة الكهربائية بين ملامسي المرمك إلى الاحتراق أو إلى اندلاع النار.
- ◀ قد يتسرب السائل من المرمك في حالة سوء الاستعمال. تجنب ملامسته. اشطفه بالماء في حال ملامسته بشكل غير مقصود. إن وصل السائل إلى العينين، فراجع الطبيب إضافة إلى

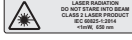
- ◀ لا تستخدم شخص آخر كبديل لتطويلة الطاولة أو كتدعيم إضافي. فالتدعيم غير المتزن لقطعة الشغل يمكن أن يتسبب في إعاقة حركة الشفرة أو انحراف قطعة الشغل أثناء عملية القطع ومن ثم سحب أنت ومعاونك نحو الشفرة الدوارة.
- ◀ يجب ألا يتم زلق أو ضغط القطعة المقطوعة بأية وسائل في مواجهة شفرة المنشار الدوارة. فإذا كانت المسافة محدودة، أي في حالة استخدام مصدات طول، فقد تنمشر القطعة المقطوعة بمواجهة الشفرة وتندفع بقوة.
- ◀ استخدم دائماً قامطة أو وسيلة تثبيت مصممة لتدعيم المواد المستديرة بشكل صحيح مثل القضبان أو الأنابيب. حيث تميل القضبان للتدريج أثناء قطعها، مما يتسبب في قيام الشفرة «بعضات» ومن ثم سحب قطعة الشغل ويدك نحو الشفرة.
- ◀ دع الشفرة تصل إلى سرعتها القصوى قبل ملامستها لقطعة الشغل. فهذا يقلل من خطر تعرض قطعة الشغل للانفراج.
- ◀ وإذا تعرضت قطعة الشغل أو الشفرة للانحصار، فأوقف منشار التلسين. وانتظر حتى تتوقف جميع الأجزاء المتحركة وأفضل القابض عن مصدر الإمداد بالكهرباء و/أو أخرج البطارية. ثم اعمل على تحرير المادة المنحصرة. أما مواصلة النشر بينما قطعة الشغل منحصرة فقد يتسبب في فقدان السيطرة على منشار التلسين أو حدوث ضرر به.
- ◀ بعد انتهاء القطع، اترك المفتاح، وقم بإنزال رأس المنشار لأسفل وانتظر حتى تتوقف الشفرة قبل إزالة القطعة المقطوعة. تقريب يدك من الشفرة المستمرة في الدوران يعد أمراً خطيراً.
- ◀ أمسك المقبض جيداً عند عمل قطعية غير كاملة أو عند ترك المفتاح قبل أن تصبغ رأس المنشار بالكامل في الوضع السفلي. فقد تتسبب حركة كبح المنشار في جذب رأس المنشار بشكل مفاجئ لأسفل، مما يتسبب في خطر التعرض للإصابة.
- ◀ لا تترك المقبض اليدوي عند وصول رأس النشر إلى أدنى موضع. قم دائماً بإرجاع رأس النشر يدوياً إلى أعلى موضع. في حالة تحرك رأس النشر دون تحكم فقد يؤدي هذا إلى نشوء خطر إصابة.
- ◀ حافظ على نظافة مكان العمل. كما أن اختلاط المواد بعضها ببعض أمر خطير جداً. حيث يمكن أن يشتعل غبار المعدن الخفيف أو بنفجر.
- ◀ لا تستخدم أنصال المنشار الثالمة أو المتشققة أو المتلوية أو التالفة. فأنصال المنشار ذات الأنسان الثالمة أو المتراففة بشكل خاطئ تتسبب من جراء شق النشر الشديد الضيق بالاحتكاك الزائد وبانقمام نصل المنشار وبالصددمات الارتدادية.
- ◀ لا تستخدم أنصال المنشار المصنوعة من الفولاذ العالي الأشابة المناسب للسرعات العالية (HSS). فأنصال المنشار هذه قد تنكسر بسهولة.
- ◀ احرص دائماً على استخدام أنصال ذات شكل ومقاس صحيحين (ماسي مقابل مستدير
- شوط سحب فسوف يتسبب على الأرجح في صعود شفرة المنشار فوق قطعة الشغل واندفاع مجموعة الشفرة بعنف باتجاه المشغل.
- ◀ لا تضع يدك في وضع متقاطع فوق خط القطع المقرر سواء أمام أو خلف شفرة المنشار. حيث إن تدعيم قطعة الشغل «بيد في وضع متقاطع» أي تثبيت قطعة الشغل بيدك اليسرى على يمين شفرة المنشار أو العكس يعد أمراً خطيراً للغاية.
- ◀ لا تمد إحدى يديك خلف المصد لمسافة تقل عن 100 مم من جانبي شفرة المنشار، لإزالة نشارة الخشب أو لأي سبب آخر أثناء دوران الشفرة. حيث إن اقتراب شفرة المنشار الدوارة من يدك قد لا يكون واضحاً وقد تتعرض لإصابة بالغة.
- ◀ افحص قطعة الشغل الخاصة بك قبل القطع. إذا كانت قطعة الشغل مقوسة أو ملتوية، فقم بقمطها باستخدام الجانب المقوس للخارج باتجاه المصد. وتأكد دائماً من عدم وجود فجوة بين قطعة الشغل والمصد والطاولة على طول خط القطع. قطع الشغل المتنية أو الملتوية يمكن أن تنحرف أو تنحرف وقد تتسبب في إعاقة حركة شفرة المنشار الدوارة أثناء القطع. وينبغي ألا يكون هناك أية مسامير أو أجسام غريبة في قطعة الشغل.
- ◀ لا تستخدم المنشار حتى يتم إخلاء الطاولة من جميع الأدوات ونشارة الخشب وخلافه، بحيث لا يبقى سوى قطعة الشغل. فالعواقب الصغيرة أو القطع الخشبية السائبة أو الأجسام الأخرى التي تتلامس مع الشفرة الدوارة يمكن أن تتطاير بسرعة عالية.
- ◀ اقطع قطعة شغل واحدة فقط في كل مرة. حيث إن قطع الشغل العديدة المتراكمة لا يمكن قمتها أو تدعيمها كما ينبغي، وقد تتسبب في إعاقة حركة شفرة المنشار أو قد تنحرف أثناء القطع.
- ◀ تأكد أن منشار التلسين مركب أو موضوع على سطح عمل مستو وثابت قبل الاستخدام. فسطح العمل المستوي والثابت يقلل من خطر عدم اتزان منشار التلسين.
- ◀ قم بتخطيط عملك. كل مرة تقوم فيها بتغيير وضع ضبط زاوية القطع المائل أو المشطوف، تأكد أن المصد القابل للضبط مضبوط بشكل صحيح لتدعيم قطعة الشغل ولكي لا يتداخل مع الشفرة أو نظام الحماية. دون «تشغيل» الجهاز ودون وضع قطعة شغل على الطاولة، قم بتحريك شفرة المنشار لمحاكاة عملية قطع كاملة وذلك لضمان عدم حدوث تداخل أو خطر تعرض المصد للقطع.
- ◀ قم بتوفير وسيلة تدعيم مناسبة مثل تطويلات الطاولة وحوامل المنشار وخلافه لقطعة الشغل التي يزيد عرضها أو طولها عن سطح الطاولة. قطع الشغل التي يزيد طولها أو عرضها عن طاولة منشار التلسين يمكن أن تنقلب إذا لم يتم تدعيمها بإحكام. في حالة انقلاب قطعة الشغل أو القطعة المقطوعة، فإنها قد تتسبب في رفع الواقية السفلية أو تطايرها بفعل الشفرة الدوارة.



ومعناها. يساعدك تفسير الرموز بشكل صحيح على استعمال عدتك الكهربائية بطريقة أفضل وأكثر أماناً.

### الرموز ومعناها

أشعة الليزر  
لا تنظر إلى الشعاع  
فئة الليزر 2



لا تقترب بيديك من نطاق النشر  
أثناء عمل العدة الكهربائية. قد  
تحدث إصابات عند ملامسة شفرة  
المنشار.



قم بارتداء قناع للوقاية من  
الغبار.



قم بارتداء نظارات واقية.



قم بارتداء واقية سمع. قد يؤدي  
تأثير الضجيج إلى فقدان قدرة  
السمع.



نطاق الخطر! حافظ على إبعاد  
اليدين والأصابع والذراعين عن  
هذا النطاق قدر الإمكان.



أمسك بالعدة الكهربائية لنقلها فقط  
من الأماكن التي تم تمييزها  
(تجاويف المسك) أو من مقبض  
النقل.



عند النشر من زوايا الشطب  
العمودية يجب سحب سكة  
المصادمة القابلة للضبط إلى الخارج  
أو خلعتها تماماً.



تراجعى مقاسات شفرة المنشار (قطر  
شفرة المنشار D، قطر الثقب d).  
يجب أن يتلامح قطر الثقب d مع  
محور دوران العدة دون وجود  
نسبة تفاوت. إذا كان من الضروري  
استخدام قطع التصغير احرص على  
أن تلائم أبعاد قطعة التصغير سمك  
الشفرة الفولاذية وقطر الثقب  
الخاص بشفرة المنشار بالإضافة  
لقطر محور دوران العدة. استخدم  
قدر الإمكان قطع التصغير الموردة  
مع شفرة المنشار.



يجب أن يطابق قطر شفرة المنشار  
D الرقم الموجود على الرمز.

للتجاويف الوسطى. أنصال المنشار غير المناسبة  
لأجزاء تركيب المنشار ستدور بشكل حائد عن المركز  
مما يتسبب في فقدان التحكم.

◀ لا تبعد بقايا القص أو نشارة الخشب أو ما  
الشابه عن مجال القطع أبداً أثناء تشغيل العدة  
الكهربائية. وجه دائما ذراع العدة إلى وضع  
الاستراحة أولاً، ثم اطفئ العدة الكهربائية.

◀ لا تلمس نصل المنشار بعد العمل، قبل أن  
يبرد. يسخن نصل المنشار أثناء العمل بشدة.

◀ قد تنطلق أبخرة عند تلف المرمك واستخدامه  
بطريقة غير ملائمة. يمكن أن يحترق المرمك أو  
يتعرض للانفجار. أمن توفر الهواء النقي وراجع  
الطبيب إن شعرت بشكوى. قد تهيج هذه الأبخرة  
المجاري التنفسية.

◀ لا تفتح المرمك. يتشكل خطر تقصير الدائرة  
الكهربائية.

◀ يمكن أن يتعرض المرمك لأضرار من خلال  
الأشياء المدببة مثل المسامير والمفكات أو  
من خلال تأثير القوى الخارجية. وقد يؤدي هذا  
إلى تقصير الدائرة الكهربائية الداخلية واحترق  
المرمك أو خروج الأدخنة منه أو انفجاره وتعرضه  
لسخونة مفرطة.

◀ اقتصِر على استخدام المرمك في منتجات  
الجهة الصانعة. يتم حماية المرمك من فرط  
التحميل الخطير بهذه الطريقة فقط دون غيرها.

احرص على حماية المرمك من الحرارة،  
بما ذلك التعرض لأشعة الشمس  
باستمرار ومن النار والاتساخ والماء  
والرطوبة. حيث ينشأ خطر الانفجار وخطر  
حدوث دائرة قصر.



◀ العدة الكهربائية مורدة مع لافتة تحذير ليزر  
(انظر الجدول «الرموز ومعانيها»).

◀ إذا لم يكن الكلام المكتوب في اللافتة  
التحذيرية لليزر بلغة بلدك، قم بلسق اللافتة  
المرفقة بلغة بلدك عليه قبل التشغيل للمرة  
الأولى.

◀ لا تلمس اللافتات التحذيرية على العدة  
الكهربائية أبداً.



لا توجه شعاع الليزر على الأشخاص أو  
الحيوانات ولا توجه نظرك إلى شعاع  
الليزر المباشر أو المنعكس. حيث  
يتسبب ذلك في إبهار الأشخاص أو في  
وقوع حوادث أو حدوث أضرار بالعينين.

◀ في حالة سقوط أشعة الليزر على العين، فقم  
بغلقها على الفور، وأبعد رأسك عن شعاع  
الليزر.

◀ لا تقم بإجراء تغييرات على جهاز الليزر. يمكنك  
استخدام إمكانات الضبط الواردة في دليل  
التشغيل دون خطورة.

◀ لا تدع الأطفال يستخدمون العدة الكهربائية  
دون مراقبة. قد تسبب عمى لنفسك أو لأشخاص  
آخرين دون قصد

## الرموز

قد تكون الرموز التالية ذات أهمية من أجل  
استعمال عدتك الكهربائية. يرجى حفظ الرموز

## الرموز ومعناها

انظر أيضًا "مقاسات شفرات المنشار  
الملائمة" في فصل "البيانات  
الفنية".

## وصف المنتج والأداء



**اقرأ جميع إرشادات الأمان  
والتعليمات.** ارتكاب الأخطاء عند تطبيق  
إرشادات الأمان والتعليمات، قد يؤدي  
إلى حدوث صدمات كهربائية أو إلى  
نشوب الحرائق و/أو الإصابة بجروح  
خطيرة.

يرجى الرجوع إلى الصور الموجودة في الجزء الأول من  
دليل التشغيل.

## الاستعمال المخصص

العدة الكهربائية مخصصة لعمل القطوع المستقيمة  
الطولية والعرضية في الخشب كجهاز ثابت. حيث  
يمكن تنفيذ زوايا شطب أفقية من -48° حتى +48°  
وزوايا شطب رأسية من 47° (ناحية اليسار) حتى 47°  
(ناحية اليمين).

لقد تم تحديد قدرة العدة الكهربائية من أجل نشر  
الخشب الصلب والطري وأيضاً ألواح ألواح الخشب  
والخشب المضغوط.

يجوز نشر مجسمات الألمنيوم واللدائن عند استخدام  
شفرات المنشار الملائمة.

## الأجزاء المصورة

يشير ترقيم الأجزاء المصورة إلى الصورة المعروضة  
للعدة الكهربائية في صفحة الرسوم.

- (20) حوزر توكيف لزوايا الشطب القياسية (أفقياً)  
(21) مقياس زوايا الشطب (أفقياً)  
(22) لولب زنق لامتداد قاعدة المنشار  
(23) امتداد قاعدة المنشار  
(24) مسند قطعة الشغل (قابل للتوصيل بمرونة)  
(25) سكة مصادمة ثابتة  
(26) سكة مصادمة قابلة للضبط  
(27) تدريج زوايا الشطب (عمودياً)  
(28) مؤشر زاوية لزوايا الشطب (عمودياً)  
(29) حارقة النشارة  
(30) شفرة المنشار  
(31) قفل محور الدوران  
(32) زر فك إقفال المرمك  
(33) المرمك  
(34) وسيلة تأمين النقل  
(35) قوس منع الانقلاب  
(36) المصادم الطولي  
(37) كيس الغبار  
(38) لولب ضبط محدد العمق  
(39) محدد العمق  
(40) قضيب ملولب  
(41) الملزمة  
(42) ثقبو للملزمة  
(43) مفتاح سداسي الرأس المجوف/مفك براغي  
متصلية  
(44) لولب تثبيت لسكة المصادمة القابلة للضبط  
(45) حلقة تثبيت زوايا الشطب (عمودياً)  
(46) ذراع تثبيت زوايا الشطب (عمودياً)  
(47) حاضن مسند قطعة الشغل (على العدة  
الكهربائية)  
(48) حاضن مسند قطعة الشغل الثاني (على  
مسند قطعة الشغل)  
(49) خوابير لولبية  
(50) مهايئ شفت  
(51) لولب مسدس الحواف داخلياً لتثبيت شفرة  
المنشار  
(52) شفة الشد  
(53) شفة شد داخلية  
(54) لولب تثبيت صفحة التلقين  
(55) لولب غطاء وقاية الليزر  
(56) لولب تثبيت لعبة الليزر  
(57) لعبة الليزر  
(58) مؤشر زاوية لزوايا الشطب (أفقياً)  
(59) لولب مؤشر الزاوية (أفقياً)  
(60) لولب مؤشر الزاوية (عمودياً)  
(61) تجاويف المسك

- (1) لولب تثبيت تجهيزة السحب  
(2) تجهيزة سحب  
(3) مقبض النقل  
(4) غطاء الوقاية  
(5) قفل تشغيل مفتاح التشغيل والإطفاء  
(6) مفتاح التشغيل والإطفاء  
(7) مقبض يدوي  
(8) غطاء الحماية من الليزر  
(9) فتحة خروج أشعة الليزر  
(10) غطاء وقاية متأرجح  
(11) بكره انزلاقية  
(12) قاعدة المنشار  
(13) تجاويف التركيب  
(14) صفحة التلقين  
(15) مشبك تثبيت  
(16) مقبض تثبيت لزوايا الشطب المرغوبة  
(أفقياً)  
(17) ذراع لضبط زوايا الشطب مسبقاً (أفقياً)  
(18) واقية الانقلاب  
(19) لافته تحذير الليزر

## البيانات الفنية

GCM 18V-216 D	GCM 18V-216 D	منشار الألواح العامل بمركم	
3 601 M51 0B. 3 601 M51 0B.	3 601 M51 0..		رقم الصنف
18	18	فلط =	الجهد الاسمي
5000	5000	دقيقة <sup>1</sup>	عدد اللفات اللاحملي <sup>(A)</sup>
650	650	نانومتر	طراز الليزر
1 >	1 >	مللي واط	
2	2		فئة الليزر
17,4-16,4	17,4-16,4	كجم	الوزن <sup>(B)</sup>
35+ ... 0	35+ ... 0	°م	درجة الحرارة المحيطة الموصى بها عند الشحن
50+ ... 20-	50+ ... 20-	°م	درجة الحرارة المحيطة المسموح بها عند التشغيل <sup>(C)</sup> وعند التخزين
GBA 18V... ProCORE18V...	GBA 18V... ProCORE18V...		المراكم الموصى بها
GAL 18... GAX 18... GAL 36...	GAL 18... GAX 18... GAL 36...		أجهزة الشحن الموصى بها

## مقاسات شفرات المنشار الملائمة

قطر شفرة المنشار D		مم
216	216	مم
1,8-1,2	1,8-1,2	مم
25,4	30	مم

(A) مقاسة عند درجة حرارة 25-20 °م مع مركم ProCORE18V 8.0Ah  
(B) حسب المركم المستخدم  
(C) قدرة محدودة في درجات الحرارة > 0 °م



مقاسات قطعة الشغل المسموح بها (الحد الأقصى/الحد الأدنى): (انظر „مقاسات قطعة الشغل المسموح بها“، الصفحة 152)  
قد تختلف القيم حسب المنتج وظروف الاستخدام والبيئة. المزيد من المعلومات على موقع الإنترنت [www.bosch-professional.com/wac](http://www.bosch-professional.com/wac)

يمتاز المركم بدرجتي إقفال اثنتين، تمنعان سقوط المركم للخارج في حال ضغط زر فك إقفال المركم بشكل غير مقصود. يتم تثبيت المركم بواسطة نابض ما دام مركبًا في العدة الكهربائية.

## مبين حالة شحن المركم

ملحوظة: ليست كل أنواع المراكم تحتوي على مبيّن حالة شحن.

تشير مصابيح الدايدود الخضراء الخاصة بمبين حالة شحن المركم لحالة شحن المركم. لأسباب تتعلق بالسلامة فإنه لا يمكن الاستعلام عن حالة الشحن إلا والعدة الكهربائية متوقفة.

اضغط على زر مبيّن حالة الشحن  أو  لعرض حالة الشحن. يمكن هذا أيضا والمركم مخرج.

إذا لم يضيء أي مصباح دايدود بعد الضغط على زر مبيّن حالة الشحن، فهذا يعني أن المركم تالف ويجب تغييره.

## نوع المركم GBA 18V...



السعة	لمبة LED
60-100 %	ضوء مستمر x3 أخضر

## مركم

تبيع شركة Bosch العدد الكهربائية العاملة بمركم دون مركم أيضًا. يمكنك أن تعرف من العبوة ما إذا كان المركم موجود ضمن مجموعة التجهيزات الموردة مع العدة الكهربائية الخاصة بك.

## شحن المركم

◀ **اقتصر على استخدام أجهزة الشحن المذكورة في المواصفات الفنية.** أجهزة الشحن هذه دون غيرها هي المتوائمة مع مركم أيونات الليثيوم المستخدم في عدتك الكهربائية.

**ملحوظة:** يتم تسليم مراكم أيونات الليثيوم مشحونة جزئيًا وفقًا للوائح النقل الدولية. لضمان قدرة أداء المركم الكاملة، يتوجب شحن المركم بشكل كامل قبل الاستعمال لأول مرة.

## تركيب المركم

أدخل المركم المشحون في موضع تثبيت المركم إلى أن يثبت بشكل ملموس.

## نزع المركم

لخلع المركم اضغط على زر تحرير المركم وأخرج المركم. لا تستخدم القوة أثناء ذلك.

**ملاحظة** افحص العدة الكهربائية من حيث وجود أي أضرار محتملة.  
يجب فحص تجهيزات الوقاية أو الأجزاء التي تعرضت لضرر طفيف فحصاً دقيقاً، للتأكد من أدائها لوظيفتها بشكل سليم وفقاً للتعليمات. تأكد من أن الأجزاء المتحركة تعمل بشكل سليم وأنها غير منقمة، أو إن كانت هناك أية أجزاء تالفة، يجب أن تكون جميع الأجزاء مركبة بشكل صحيح وأن تلي جميع الشروط من أجل ضمان العمل بشكل سليم.  
يجب أن يتم تصليح أو استبدال تجهيزات الوقاية والقطع التالفة بالشكل المطلوب من خلال ورشة خدمة متخصصة.

### تركيب الأجزاء المفردة

- انزع جميع الأجزاء المرفقة عن التغليف بحرص.
- انزع كل مواد التغليف عن العدة الكهربائية وعن التوايح المرفقة.
- يراعى لتسهيل العمل عند تركيب عناصر الجهاز الموردة أن تكون العدة الكهربائية في وضع النقل.

### تركيب مساند قطعة الشغل (انظر الصورة A1)

- يمكن تركيب مساند قطعة الشغل (24) على يسار أو يمين أو أمام العدة الكهربائية. يتبع لك نظام التوصيل المرن مجموعة متنوعة من أوضاع الإطالة أو التوسيع (انظر الصورة G).
- قم حسب الحاجة بإدخال مسند قطعة الشغل (24) في المواضع (47) على العدة الكهربائية أو في المواضع (48) الخاصة بمسند قطعة الشغل الثاني.

### لا تحمل العدة الكهربائية مطلقاً من مساند قطعة الشغل.

استخدم تجهيزات النقل دائماً عند نقل العدة الكهربائية.

### تركيب حلقة التثبيت (انظر الصورة A2)

- تعمل حلقة التثبيت (45) على تثبيت زاوية الشطب العمودية المضبوطة وهي ضرورية للتشغيل الآمن.
- قم بفك الصواميل سداسية الحواف من الخوايير اللولبية (49).
- اربط حلقة التثبيت (45) في اتجاه حركة عقارب الساعة على الخوايير اللولبية (49) وأحكام ربطها.

### تركيب سكة المصادمة القابلة للضبط (انظر الصورة A3)

- يجب تركيب سكة المصادمة القابلة للضبط (26) قبل النشر.
- أدخل سكة المصادمة (26) يميناً من شفرة المنشار في الحز المعني وأحكام ربط لولب التثبيت (44).
- يجب أن يشير الجزء المسطح من سكة المصادمة إلى الداخل نحو شفرة المنشار.

### التركيب المركزي الثابت أو المتحرك

- ◀ يجب أن يتم تركيب العدة الكهربائية على سطح عمل مستو وثابت (منضدة عمل مثلاً) قبل البدء بالعمل لضمان الاستعمال الآمن.

السعة	لمبة LED
30-60 %	ضوء مستمر ×2 أخضر
5-30 %	ضوء مستمر ×1 أخضر
0-5 %	ضوء وماض ×1 أخضر

### نوع المرمك ProCORE18V...



السعة	لمبة LED
80-100 %	ضوء مستمر ×5 أخضر
60-80 %	ضوء مستمر ×4 أخضر
40-60 %	ضوء مستمر ×3 أخضر
20-40 %	ضوء مستمر ×2 أخضر
5-20 %	ضوء مستمر ×1 أخضر
0-5 %	ضوء وماض ×1 أخضر

### ملاحظات للتعامل مع المرمك بطريقة مثالية

- قم بحماية المرمك من الرطوبة والماء.
- لا تقم بتخزين المرمك إلا في نطاق درجة حرارة يقع بين 20-°م وحتى 0°م. لا تترك المرمك في السيارة في فصل الصيف مثلاً.
- نظف فتحات التهوية بالمرمك من فترة لآخرى، بواسطة فرشاة طرية ونظيفة وجافة.
- إذا انخفضت فترة التشغيل بعد الشحن بدرجة كبيرة فهذا يعني أن المرمك قد استهلك وأنه يجب استبداله.
- تراعى الإرشادات عند التخلص من العدد.

### التركيب

- ◀ أخرج المرمك من العدة الكهربائية قبل إجراء أي أعمال على العدة الكهربائية (على سبيل المثال الصيانة، واستبدال العدد، وما شابه). هناك خطر إصابة بجرّوح في حالة الضغط على مفتاح التشغيل والإطفاء بشكل غير مقصود.

### نطاق التوريد

- راجع عرض مجموعة التجهيزات الموردة الوارد في بداية دليل التشغيل.



- تأكد قبل تشغيل العدة الكهربائية للمرة الأولى، إنه قد تم توريد جميع الأجزاء المذكورة أدناه:
- منشار الألواح مع نصل منشار مركب
- حلقة التثبيت (45)
- سكة مصادمة قابلة للضبط (26)
- الملزمة (41)
- المفتاح سداسي الرأس المجوف/مفك البراغي المتصالية (43)
- كيس الغبار (37)
- مساند قطعة الشغل (24) (2 قطعة)

قد تستعصي شافطة الغبار/النشارة من خلال الغبار أو النشارة أو أجزاء صغيرة من قطعة الشغل.

- أطفئ العدة الكهربائية وأخرج المرمك.  
- انتظر إلى أن تتوقف شفرة المنشار عن الحركة تماما.

- ابحث عن سبب الاستعصاء واعمل على إزالته.

### الشفط الذاتي (انظر الصورة C)

استخدم كيس الغبار المرفق من أجل جمع النشارة بسهولة (37).

- اضبط مقبض النقل (3) في وضع رأسي.  
- قم بتثبيت كيس الأتربة وإدارته (37) على مهائى الشفط (50) بحيث يتعاشق مسمار كيس الأتربة في فجوة مهائى الشفط.

لا يجوز أن يتلامس كيس الغبار أثناء النشر مع أجزاء الجهاز الدوارة أبداً.

أفرغ كيس الغبار في الوقت المناسب.

◀ **افحص ونظف كيس الغبار بعد كل استعمال.**

◀ **فك كيس الغبار عند نشر الألمنيوم لتجنب خطر اندلاع الحرائق.**

### الشفط الخارجي

للشفط، يمكن أيضاً تركيب خرطوم شافطة على مهائى الشفط (50) (بقطر 35 مم).

- اربط خرطوم الشافطة في مهائى الشفط (50).

يجب أن تصلح شافطة الغبار الخوائية للاستعمال مع مادة الشغل المرغوب معالجتها.

استخدم شافطة غبار خوائية خاصة عند شفط الأعبرة المضرة بالصحة أو المسببة للسرطان أو الشديدة الجفاف.

### تغيير شفرة المنشار (انظر الصورة D1-D4)

◀ **أخرج المرمك من العدة الكهربائية قبل إجراء أي أعمال على العدة الكهربائية (على سبيل المثال الصيانة، واستبدال العدد، وما شابه).**

هناك خطر إصابة بجروح في حالة الضغط على مفتاح التشغيل والإطفاء بشكل غير مقصود.

◀ **ارتد قفازات واقية عند تركيب نصل المنشار.** تؤدي ملامسة شفرة المنشار إلى خطر التعرض للإصابة.

استخدم فقط نصال المنشار التي تزيد سرعتها القصوى المسموحة عن عدد الدوران اللاحمي بالعدة الكهربائية.

اقتصر على استخدام شفرات المنشار التي توافق البيانات المذكورة في دليل الاستعمال هذا، والمختبرة وفقاً للمواصفة EN 847-1، والتي تم تمييزها وفقاً لذلك.

استعمل فقط أنصال المنشار التي ينصح باستعمالها منتج هذه العدة الكهربائية والتي تصلح للاستعمال مع مواد الشغل المرغوب معالجتها. يعمل هذا على منع تعرض أسنان المنشار إلى الحرارة المفرطة أثناء النشر.

### فك شفرة المنشار

- اضبط العدة الكهربائية بوضعية الشغل.

### التركيب على سطح عمل (انظر الصورة B1-B2)

- قم بتثبيت العدة الكهربائية على سطح العمل بواسطة لولاب ربط مناسبة. يتم ذلك عن طريق الثقوب (13).

أو

- قم بتثبيت أقدم العدة الكهربائية على سطح العمل بإحكام عن طريق قمطها بالملازم المتداولة.

### التركيب على منضدة بوش للعمل

تتبع طاولات عمل GTA من شركة بوش وضعية ثابتة للعدة الكهربائية على كافة أنواع الأرضيات وذلك من خلال الأقدام القابلة لضبط الارتفاع. إن مساند قطعة الشغل بطاولات العمل تساعد على إسناد قطع الشغل الطويلة.

### اقرأ جميع ملاحظات التحذير والتعليمات

المرفقة بمنضدة العمل. إن التقصير بالمحافظة على الملاحظات التحذيرية والتعليمات قد تكون من عواقبه الصدمات الكهربائية، اندلاع المريق و/أو الإصابة بجروح خطيرة.

### انصب منضدة العمل بالشكل الصحيح قبل

تركيب العدة الكهربائية. إن التركيب بشكل سليم هام جدا من أجل تجنب خطر الانهدام.

- ركب العدة الكهربائية بوضع النقل على طاولة العمل.

### الوضع المرن (لا ينصح به!) (انظر الصورة B3)

إذا تعذر في أحوال استثنائية تركيب العدة الكهربائية على سطح عمل ثابت ومستو، يمكنك نصبها مؤقتاً مع استخدام واقية الانقلاب.

### دون استخدام واقية الانقلاب تصعب العدة

الكهربائية غير ثابتة، حيث يمكن أن تنقلب

خاصة عند النشر من أقصى زوايا الشطب الأفقية و/أو العمودية.

- قم بربط واقية الانقلاب (18) أو فكها، حتى تستوي العدة الكهربائية تماما على سطح العمل.

### شفط الغبار/النشارة

إن غبار بعض المواد كالطلاء الذي يحتوي على الرصاص، وبعض أنواع الخشب والفلزات والمعادن، قد تكون مضرة بالصحة. إن ملامسة أو استنشاق غبار قد يؤدي إلى أعراض حساسية و/أو إلى أمراض الجهاز التنفسي لدى المستخدم أو لدى الأشخاص المتواجدين على مقربة من المكان. تعتبر بعض الأعبرة المعينة، كأعبرة البلوط والزان، مسببة للسرطان، ولا سيما عند الارتباط بالمواد الإضافية لمعالجة الخشب (ملع جامض الكروميك، المواد الحافظة للخشب). يجوز أن يتم معالجة المواد التي تحتوي على الأسبستوس من قبل العمال المتخصصين فقط دون غيرهم.

- استخدم شافطة غبار ملائمة للمادة قدر الإمكان.

- حافظ على تهوية مكان الشغل بشكل جيد.

- ينصح بارتداء قناع وقاية للتنفس بفئة المرشح P2.

تراعى الأحكام السارية في بلدكم بالنسبة للمواد المرغوب معالجتها.

◀ **تجنب تراكم الغبار بمكان العمل.** يجوز أن

تشتعل الأعبرة بسهولة.

- حرك غطاء الوقاية المتأرجح (10) إلى الخلف، وحافظ على إبقاء غطاء الوقاية المتأرجح في هذا الوضع.
- اربط اللولب سداسي الرأس المجوف (51) بواسطة المفتاح سداسي الرأس المجوف (6 مم) (43) واضغط بنفس الوقت على قفل محور الدوران (31) إلى أن يتعشق.
- احتفظ بقفل محور الدوران (31) مضغوطاً وقم بفك اللولب سداسي الرأس المجوف (51) بإدارته في اتجاه حركة عقارب الساعة (أسنان اللولبة يسرى).
- اخلع فلانشة الشد (52).
- وأخرج شفرة المنشار (30).
- حرك غطاء الوقاية المترجع نحو الأسفل ببطء.

### تركيب شفرة المنشار

◀ **يراعى أثناء التركيب أن يتوافق اتجاه قص الأسنان (اتجاه السهم على نصل المنشار) مع اتجاه السهم على غطاء الوقاية!**  
نظف جميع الأجزاء المطلوب تركيبها قبل التركيب عند الضرورة.

- حرك غطاء الوقاية المتأرجح (10) إلى الخلف، وحافظ على إبقاء غطاء الوقاية المتأرجح في هذا الوضع.
- قم بتركيب شفرة المنشار الجديدة على فلانشة الشد الداخلية (53).
- قم بتركيب فلانشة الشد (52) واللولب سداسي الرأس المجوف (51). اضغط على قفل محور الدوران (31) إلى أن يثبت، وقم بربط اللولب سداسي الرأس المجوف بإدارته عكس اتجاه عقارب الساعة.
- وجه غطاء الوقاية المترجع نحو الأسفل بتمهل.

### التشغيل

◀ **أخرج المرمك من العدة الكهربائية قبل إجراء أي أعمال على العدة الكهربائية (على سبيل المثال الصيانة، واستبدال العدد، وما شابه).**  
هناك خطر إصابة بجروح في حالة الضغط على مفتاح التشغيل والإطفاء بشكل غير مقصود.

### قفل النقل (انظر الصورة E)

- يتبع لك قفل النقل (34) التعامل مع العدة الكهربائية بشكل أسهل عند نقلها إلى أماكن مختلفة.
- فك تأمين العدة الكهربائية (وضع العمل)  
- اضغط ذراع العدة من المقبض (7) إلى أسفل بعض الشيء لتخفيف التحميل من على قفل النقل (34).

### إزالة سكة المصادمة (انظر الصورة H)

عند نشر زوايا الشطب المائل الأفقية و/أو الرأسية يجب عليك تبعاً لاتجاه القطع سحب سكة المصادمة اليسرى أو اليمنى القابلة للضبط (26) إلى الخارج أو خلعها تمامًا.

زاوية الشطب العمودية	زاوية الشطب الأفقية
° 22,5-° 0 (يسارًا/يمينًا)	- قم بفك لولب التثبيت الأيسر/الأيمن (44).

زاوية الشطب العمودية	زاوية الشطب الأفقية	
		- اسحب سكة المصادمة القابلة للضبط اليسرى/اليمنى (26) إلى الخارج تمامًا.
22,5° - 47°	≥ 48° (يسارًا/يمينًا)	- قم <b>بفك</b> لولب التثبيت الأيسر/الأيمن (44).
		- اسحب سكة المصادمة القابلة للضبط اليسرى/اليمنى (26) إلى الخارج تمامًا.
		- فك سكة المصادمة القابلة للضبط برفعها نحو الأعلى.

ويعود للمقبض (17) ليتعاشق بحزوز التوقيف (20).

### ضبط زوايا الشطب العمودية

يمكن ضبط زاوية الشطب المائل الرأسية في نطاق يبلغ 47° (ناحية اليسار) حتى 47° (ناحية اليمين). للضبط السريع والدقيق لزوايا الشطب العمودية المستخدمة غالبًا، تم تخصيص أوضاع ثابتة للزاوية 0° و 22,5° و 45°.

- تأكد من تركيب حلقة التثبيت (45) (انظر „تركيب حلقة التثبيت (انظر الصورة A2)“، الصفحة 148).

### ضبط زوايا الشطب العمودية القياسية (انظر الصورة L)

- اسحب سكة المصادمة القابلة للضبط (26) إلى الخارج تمامًا أو اخلعها بالكامل.  
- قم بفك حلقة التثبيت (45).  
- اسحب ذراع التثبيت (46) إلى الخارج وقم بتثبيته في وضع الدوران الحر. وبذلك يمكنك استخدام نطاق زاوية الشطب (يسارًا ويمينًا) بالكامل.

- قم بتحريك ذراع العدة من المقبض (7) إلى اليسار أو اليمين، إلى أن يشير مؤشر الزاوية (28) إلى زاوية الشطب القياسية العمودية المرغوبة.  
- أدر ذراع التثبيت (46). يجب أن يثبت ذراع التثبيت بشكل محسوس في موضع زاوية الشطب القياسية العمودية المرغوبة.  
- أحكم ربط حلقة التثبيت (45) مرة أخرى.

### ضبط زوايا الشطب العمودية المرغوبة

- اسحب سكة المصادمة القابلة للضبط (26) إلى الخارج تمامًا أو اخلعها بالكامل.  
- قم بفك حلقة التثبيت (45).  
- اسحب ذراع التثبيت (46) إلى الخارج وقم بتثبيته في وضع الدوران الحر. وبذلك يمكنك استخدام نطاق زاوية الشطب (يسارًا ويمينًا) بالكامل.  
- قم بتحريك ذراع العدة من المقبض (7) إلى اليسار أو اليمين، إلى أن يشير مؤشر الزاوية (28) إلى زاوية الشطب العمودية المرغوبة.  
- أحكم ربط حلقة التثبيت (45) مرة أخرى.

### بدء التشغيل

◀ **أحكم ربط مقبض التثبيت (16) وحلقة التثبيت (45) دائمًا قبل النشر.** وإلا فقد تستعصي شفرة المنشار في قطعة الشغل.

### تثبيت قطعة الشغل (انظر الصورة A)

يجب أن يتم تثبيت قطعة الشغل بإحكام دائمًا من أجل ضمان أمان مثالي أثناء الشغل. لا تعالج قطع الشغل الصغيرة جدًا لدرجة لا تسمح بقمطها.  
- اضغط قطعة الشغل نحو سكك المصادمة (26) و (25).  
- قم بتركيب الملزمة الموردة (41) في أحد الثقوب المخصصة لذلك (42).  
- قم بمواءمة القضيب الملولب (40) لملزمة ارتفاع لقطعة الشغل.  
- أحكم ربط القضيب الملولب (40) وبذلك تقوم بتثبيت قطعة الشغل.

### ضبط زوايا الشطب الأفقية

#### ضبط زوايا الشطب الأفقية القياسية (انظر الصورة J)

للضبط السريع والدقيق لزوايا الشطب الأفقية المستخدمة غالبًا على حزوز قاعدة المنشار (20):

اليسار	اليمن
0°	

45°, 30°, 22,5°, 15°

- قم بفك مقبض التثبيت (16)، في حالة ربطه.  
- اسحب الذراع (17) وأدر قاعدة المنشار (12) حتى حز التوقيف المرغوب نحو اليمين أو اليسار.  
- اطلق الذراع. ينبغي أن تتعاشق الذراع بحز التوقيف بشكل محسوس.  
- قم بشد مقبض التثبيت (16) مرة أخرى.

#### ضبط زوايا الشطب الأفقية المرغوبة (انظر الصورة K)

يمكن ضبط زاوية الشطب المائل الأفقية في نطاق يبلغ 48° (ناحية اليسار) حتى 48° (ناحية اليمين).  
- قم بفك مقبض التثبيت (16)، في حالة ربطه.  
- اسحب الذراع (17) واضغط في نفس الوقت على مشبك التثبيت (15)، إلى أن يثبت في الحز المخصص لذلك. وبذلك تصبح قاعدة المنشار حرة الحركة.  
- أدر قاعدة المنشار (12) بواسطة مقبض التثبيت نحو اليسار أو اليمين إلى أن يشير مؤشر الزاوية (58) إلى زاوية الشطب الأفقية المرغوبة.  
- قم بربط مقبض التثبيت (16) مرة أخرى.  
- لإعادة فك الذراع (17) اسحب نحو الأعلى (من أجل ضبط زوايا الشطب الأفقية القياسية).  
- يعود مشبك التثبيت (15) إلى موضعه الأصلي،

- وجه ذراع العدة باستخدام المقبض (7) إلى الأسفل ببطء.
- اضغط ذراع العدة في اتجاه سكك المصادمة (25) و (26) وانشر قطعة الشغل بدفع أمامي منتظم.
- أطفئ العدة الكهربائية، وانتظر إلى أن تتوقف شفرة المنشار عن الحركة تماما.
- وجه ذراع العدة إلى الأعلى ببطء.
- **النشر بلا حركة سحب (القطع) (انظر الصورة O)**
- لأعمال القطع دون حركة سحب (قطع الشغل الصغيرة) قم بفتح لولب التثبيت (1) في حالة ربطه. حرك ذراع العدة حتى النهاية في اتجاه سكك المصادمة (25) وأحكام ربط لولب التثبيت (1) مرة أخرى.
- عند الحاجة، اضبط زاوية الشطب الأفقية و/أو العمودية المرغوبة.
- اضغط قطعة الشغل نحو سكك المصادمة (25) و (26).
- اقمط قطعة الشغل حسب مقاسها بإحكام.
- قم بتشغيل العدة الكهربائية.
- وجه ذراع العدة باستخدام المقبض (7) إلى الأعلى ببطء.
- انشر قطعة الشغل بشكل كامل بدفع أمامي منتظم.
- أطفئ العدة الكهربائية، وانتظر إلى أن تتوقف شفرة المنشار عن الحركة تماما.
- وجه ذراع العدة إلى الأعلى ببطء.

### إرشادات العمل

#### تمييز خط القطع (انظر الصورة P)

- يشير شعاعا ليزر اثنين إلى خط قص شفرة المنشار. يسمح لك ذلك بتركيز قطعة الشغل بدقة من أجل نشرها دون أن تفتح غطاء الوقاية المتأرجع.
- للقيام بهذا قم بتشغيل أشعة الليزر من خلال النقر على مفتاح التشغيل والإطفاء (6) لوهلة قصيرة دون الضغط على مانع التشغيل (5).
- قم بتسوية العلامة التي علمتها على قطعة الشغل بين خطي الليزر.
- **ملاحظة:** تأكد قبل النشر من أن خط القطع ما زال يعرض بالشكل الصحيح (انظر "ضبط الليزر"، الصفحة 153). قد يزاح شعاعا الليزر مثلا من خلال الاهتزازات بسبب الاستخدام الشديد.

#### مقاسات قطعة الشغل المسموح بها

أقصى مقاس لقطع الشغل:

زاوية الشطب الأفقية	زاوية الشطب العمودية	الارتفاع x العرض ض [مم]
0°	0°	305 x 70
45° (يسارًا/يمينًا)	0°	215 x 70
45° (يسارًا)	45° (يسارًا)	215 x 42
45° (يمينًا)	45° (يمينًا)	215 x 20
0°	45° (يسارًا)	305 x 42
0°	45° (يمينًا)	305 x 20

#### التشغيل (انظر الصورة M)

- لغرض تشغيل العدة الكهربائية، حرك **أولا قفل التشغيل (5)** إلى الوسط واضغط **بعدها** على مفتاح التشغيل والإطفاء (6) واحتفظ به مضغوطا.
- **ملحوظة** لا يمكن تثبيت مفتاح التشغيل والإطفاء (6) لأسباب متعلقة بالأمان، بل يجب أن يتم ضغطه طوال فترة التشغيل.
- **الإطفاء**
- لغرض **الإطفاء** اترك مفتاح التشغيل/الإطفاء (6).

#### النشر

##### ملاحظات نشر عامة

- **أحكام ربط مقبض التثبيت (16) وحلقة التثبيت (45) دائما قبل النشر.** وإلا فقد تستعصي شفرة المنشار في قطعة الشغل.
- **يجب أن تضمن عند جميع أعمال النشر في البداية بأن نصل المنشار لا يمكنه أن يلامس سكة المصادمة أو الملازم أو غيرها من أجزاء الجهاز في أي وقت.** فك المصادمات المعاونة إن وجدت أو واثمها بالشكل المناسب.
- احم نصل المنشار من الصدمات والطرقات. لا تعرض نصل المنشار لضغط جانبي.
- احرص على نشر الخامات المسموح بها والواردة في الاستعمال المخصص.
- لا تعالج قطع الشغل المتلوية. يجب أن تتوفر بقطعة الشغل دائما حافة مستقيمة لركنها على سكة المصادمة.
- يجب أن تسند قطع الشغل الطويلة والثقيلة من طرف نهايتها السائبة أو أن تضع شيئا ما تحتها.
- تأكد أن غطاء الوقاية المتأرجع يعمل بشكل سليم كما يمكنه الحركة بحرية. أثناء توجيه ذراع العدة إلى أسفل يجب أن يفتح غطاء الوقاية المتأرجع. أثناء توجيه ذراع العدة إلى أعلى يجب أن ينغلق غطاء الوقاية المتأرجع فوق شفرة المنشار مرة أخرى، ويجب أن يثبت على أعلى وضع لذراع العدة.

#### موقع المستخدم (انظر الصورة N)

- **لا تقف أمام العدة الكهربائية على نفس خط شفرة المنشار، بل قف دائما على جانب شفرة المنشار.** يتم وقاية جسمك بذلك من الصدمات الارتدادية المحتملة.
- أبعد اليدين والأصابع والذراعين عن نصل المنشار الدوار.
- لا تصالب يدك أمام ذراع العدة.

#### النشر مع حركة سحب

- بالنسبة للقطوع التي تتم عن طريق تجهيزة السحب (2) (قطع الشغل العريضة) قم بفتح لولب التثبيت (1) في حالة ربطه.
- عند الحاجة، اضبط زاوية الشطب الأفقية و/أو العمودية المرغوبة.
- اضغط قطعة الشغل نحو سكك المصادمة (25) و (26).
- اقمط قطعة الشغل حسب مقاسها بإحكام.
- اسحب قدر الإمكان ذراع العدة عن سكة التصادم (25)، حتى تركز شفرة المنشار أمام قطعة الشغل.
- قم بتشغيل العدة الكهربائية.



ينفذ مركز خدمة عملاء بوش هذا العمل بشكل سريع وموثوق به.

#### الفحص (انظر الصورة T1)

- ارسم خط قطع مستقيم على قطعة الشغل.
  - وجه ذراع العدة باستخدام المقبض (7) إلى أسفل ببطء.
  - وجه قطعة الشغل بحيث تتوافق أسنان شفرة المنشار مع مسار خط القطع.
  - امسك قطعة الشغل بهذا الوضع بإحكام وحرك ذراع العدة نحو الأعلى ببطء.
  - شد قطعة الشغل بإحكام.
  - قم بتشغيل أشعة الليزر باستخدام المفتاح (6)، دون الضغط على مانع التشغيل (5).
- ينبغي أن يكون شعاع الليزر على نفس البعد عن خط القص المرسوم على قطعة الشغل على كامل الطول يساراً ويميناً، حتى عندما يتم توجيه ذراع العدة نحو الأسفل.

#### خلع غطاء الحماية من الليزر (انظر الصورة T2)

- قم بحل اللولبين (55) بغطاء الحماية من الليزر (8) بواسطة المفتاح سداسي الرأس المجوف/مفك البراغي المتصلبة (43) و قم بخلع غطاء الحماية من الليزر.

#### ضبط التفاوت الجانبي عند تحريك ذراع العدة (انظر الصور T3-T4)

- قم بحل لولب التثبيت (56) (حوالي 1-2 دورة).
- لا تفك اللولب بشكل كامل.
- قم بإزاحة علبه الليزر (57) نحو اليمين أو اليسار، إلى حد عدم وجود أي تفاوت بشعاعي الليزر أثناء تحريك ذراع العدة نحو الأسفل.
- حافظ على إبقاء علبه الليزر (57) في هذا الوضع وأحكام شد لولب التثبيت (56) مرة أخرى.
- قم بتثبيت غطاء وقاية الليزر (8) مرة أخرى.

#### فحص الضبط الأساسي وضبطه

ينبغي أن يتم فحص الضبط الأساسي بالعدة الكهربائية بعد الاستعمال المكثف وإعادة ضبطها عند الضرورة للمحافظة على دقة القص. إنك بحاجة إلى الخبرة وللعدد الخاصة الموافقة لتنفيذ ذلك.

ينفذ مركز خدمة عملاء بوش هذا العمل بشكل سريع وموثوق به.

#### محاذاة مابين الزاوية (أفقياً) (انظر الصورة U)

- اضبط العدة الكهربائية بوضعية الشغل.
- أدر قاعدة المنشار (12) حتى حز التوقيف (20) للزاوية 0°. ينبغي أن تتعاشق الذراع (17) بحز التوقيف بشكل محسوس.

#### الفحص

يجب أن يكون مابين الزاوية (58) على خط واحد مع العلامة 0° بالتدريج (21).

#### الضبط

- قم بحل اللولب (59) باستخدام مفك براغي متصلة الحز و قم بمحاذاة مابين الزاوية مع العلامة 0°.
- أعد إحكام شد اللولب.

**الحد الأدنى** لمقاسات قطع الشغل (= جميع قطع الشغل التي يمكن تثبيتها بإحكام مع الملزمة الموردة (41) إلى يسار أو يمين شفرة المنشار): 100 x 40 مم (الطول x العرض)

**الحد الأقصى للعمق القطع** (0°/0°): 70 مم

#### ضبط محدد العمق (نشر الحز) (انظر الصفحة Q)

ينبغي تعديل ضبط محدد العمق إذا أردت أن تقوم بنشر الحز.

- حرك محدد العمق (39) إلى الأمام.
- قم بتحريك ذراع العدة من المقبض (7) إلى الوضع المرغوب.
- أدر لولب الضبط (38) إلى أن يلامس نهاية لولب محدد العمق (39).
- وجه ذراع العدة إلى الأعلى ببطء.

#### نشر قطع الشغل المتساوية الطول (انظر

#### الصورة R)

لسهولة نشر قطع الشغل المتساوية الطويلة، يمكنك استخدام المصد الطولي (36) الأيسر أو الأيمن.

- أدر المصد الطولي (36) لأعلى.
- قم بضبط امتداد منضدة النشر (23) حسب طول قطعة الشغل المرغوب.

#### قطع الشغل الخاصة

يجب أن يتم تأمين قطع الشغل المنحنية أو المدورة ضد الانزلاق بشكل خاص عند النشر. لا يجوز أن يتشكل أي شق عند خط القص بين قطعة الشغل وسكة المصادمة ومنضدة النشر. يجب أن يتم تصنيع حوامل خاصة عند الضرورة.

#### استبدال صفائح التلقيم (انظر الصورة S)

قد تستهلك صفائح التلقيم (14) بعد استخدام العدة الكهربائية لفترة طويلة.

- استبدل صفائح التلقيم التالفة.
- اضبط العدة الكهربائية بوضعية الشغل.
- قم بفك اللوالب (54) باستخدام مفك البراغي المتصلب المورد، وأخرج صفحة التلقيم القديمة (14).
- قم بتثبيت صفحة التلقيم الجديدة، وأحكام ربط اللوالب (54) مرة أخرى.

#### ضبط الليزر

**ملحوظة:** ينبغي أن يتم وصل العدة الكهربائية بالإمداد بالتيار الكهربائي لتجربة وظيفة الليزر.

⚠ لا تدير مفتاح التشغيل والإطفاء أبداً أثناء ضبط الليزر (عند تحريك ذراع العدة مثلاً). قد يؤدي تشغيل العدة الكهربائية بشكل غير مقصود إلى إصابات خطيرة.

- اضبط العدة الكهربائية بوضعية الشغل.
- أدر قاعدة المنشار (12) حتى حز التوقيف (20) للزاوية 0°. ينبغي أن تتعاشق الذراع (17) بحز التوقيف بشكل محسوس.

ينبغي أن يتم فحص أشعة الليزر بعد الاستعمال المكثف وإعادة ضبطها عند الضرورة للمحافظة على دقة القص.

لقيام بذلك فأنت بحاجة إلى الخبرة وللعدد الخاصة الموافقة لتنفيذ ذلك.

على نظافة النطاق الموجود حول غطاء الوقاية المتأرجح.

أزل الغبار والنشارة بعد كل خطوة عمل من خلال نفخها بالهواء المضغوط أو بواسطة فرشاة. نظف بكرة الإزلاق (11).

#### إجراءات لتخفيض الضجيج

- إجراءات من طرف المنتج:
- البدء بإدارة هادئة
- التسليم مع نصل منشار تم تطويره بشكل خاص لتخفيض الضجيج
- إجراءات من طرف المستخدم:
- التركيب بطريقة قليلة الاهتزازات على سطح عمل ثابت
- استخدام نصال المنشار ذات الوظائف المخفضة للضجيج
- تنظيف نصل المنشار والعدة الكهربائية بشكل منتظم

#### خدمة العملاء واستشارات الاستخدام

يجيب مركز خدمة العملاء على الأسئلة المتعلقة بإصلاح المنتج وصيانته، بالإضافة لقطع الغيار. تجد الرسوم التفصيلية والمعلومات الخاصة بقطع الغيار في الموقع: [www.bosch-pt.com](http://www.bosch-pt.com)

يسر فريق Bosch لاستشارات الاستخدام مساعدتك إذا كان لديك أي استفسارات بخصوص منتجاتنا وملحقاتها.

يلزم ذكر رقم النصف ذو الحانات العشر وفقاً للوحة صنع المنتج عند إرسال أية استفسارات أو طلبيات قطع غيار.

#### المغرب

Robert Bosch Morocco SARL

53 شارع الملازم محمد محروم

20300 الدار البيضاء

الهاتف: 212 5 29 31 43

البريد الإلكتروني: [sav.outillage@ma.bosch.com](mailto:sav.outillage@ma.bosch.com)

تجد المزيد من عناوين الخدمة تحت:

[www.bosch-pt.com/serviceaddresses](http://www.bosch-pt.com/serviceaddresses)

#### النقل

تخضع مراكم أيونات الليثيوم الموصى بها لاشتراطات قانون المواد الخطرة. يسمح للمستخدم أن يقوم بنقل المراكم على الطرقات دون التقيد بأية شروط إضافية.

عندما يتم إرسالها عن طريق طرف آخر (مثلاً: الشحن الجوي أو شركة شحن)، يتوجب التقيد بشروط خاصة بصدد التغليف ووضع العلامات. ينبغي استشارة خبير متخصص بنقل المواد الخطرة عندما يرغب بتحضير المرمك المراد شحنه في هذه الحالة.

لا تقوم بشحن المراكم إلا إذا كان هيكلها الخارجي سليماً. قم بتغطية الملامسات المكشوفة بلاصقات، وقيم بتغليف المرمك بحيث لا يتحرك في الطرد. يرجى أيضاً مراعاة التشريعات المملية المتعلقة إن وجدت.

#### محاذاة مؤشر الزاوية (عمودياً) (انظر الصورة V)

- اضبط العدة الكهربائية بوضعية الشغل.
- قم بفك حلقة التثبيت (45).
- اسحب ذراع التثبيت (46) إلى الخارج واضبط زاوية شطب عمودية 0° باستخدام ذراع العدة.
- اترك ذراع التثبيت (46). يجب أن يثبت ذراع التثبيت بشكل محسوس في الموضع.
- أحكم ربط حلقة التثبيت (45) مرة أخرى.

#### الفحص

يجب أن يكون مبين الزاوية (28) على خط واحد مع العلامة 0° بالتدريج (27).

#### الضبط

- قم بحل اللولب (60) باستخدام مفك براغي متصالية المز وقم بمحاذاة مبين الزاوية مع العلامة 0°.
- أعد إحكام شد اللولب.

#### نقل العدة الكهربائية (انظر الصورة W)

أخرج المرمك من العدة الكهربائية قبل إجراء أي أعمال على العدة الكهربائية (على سبيل المثال الصيانة، واستبدال العدد، وما شابه). هناك خطر إصابة بجروح في حالة الضغط على مفتاح التشغيل والإطفاء بشكل غير مقصود.

يجب أن تطبق الخطوات التالية قبل نقل العدة الكهربائية:

- قم بفك لولب التثبيت (1)، في حالة ربطه. اسحب ذراع العدة نحو الأمام بشكل كامل وأعد شد لولب التثبيت.

- تأكد أن محدد العمق (39) قد تم تحريكه إلى الخلف تمامًا وأن لولب الضبط (38) لا يلامس شيء عند تحريك ذراع العدة.

- اضبط العدة الكهربائية في وضع النقل.

- أبعد جميع قطع التوايح التي لا يمكن تثبيتها بالعدة الكهربائية بإحكام. ضع شفرات المنشار التي لا يتم استعمالها في وعاء مغلق أثناء النقل إن أمكن.

- اضبط مقبض النقل (3) في وضع رأسي.

- قم بحمل العدة الكهربائية على مقبض النقل (3) أو أمسكها من تجاوب المسك (61) الموجودة على جانب منصدة المنشار.

استخدم تجهيزات النقل دائماً عند نقل العدة الكهربائية ولا تستخدم أبداً تجهيزات الوقاية أو مساند قطعة الشغل.

## الصيانة والخدمة

### الصيانة والتنظيف

أخرج المرمك من العدة الكهربائية قبل إجراء أي أعمال على العدة الكهربائية (على سبيل المثال الصيانة، واستبدال العدد، وما شابه). هناك خطر إصابة بجروح في حالة الضغط على مفتاح التشغيل والإطفاء بشكل غير مقصود.

للعمل بشكل جيد وآمن حافظ دائماً على نظافة العدة الكهربائية وفتحات التهوية.

يجب أن يبقى غطاء الوقاية المتأرجح طليق المركبة دائماً وقابلًا للاغلاق بمفرده. حافظ لأجل ذلك دائماً

**التخلص من العدة الكهربائية**

يجب التخلص من العدة الكهربائية والمركم والتوايح والتغليف بطريقة صديقة للبيئة عن طريق النفايات القابلة لإعادة التصنيع.

لا تلق العدة الكهربائية والمراكم/البطاريات ضمن النفايات المنزلية!

**المراكم/البطاريات:****مراكم أيونات الليثيوم:**

يرجى مراعاة الإرشادات الواردة في جزء النقل (انظر „النقل“، الصفحة 154).

محیط باز نیز مناسب باشد. کابل های رابط مناسب برای محیط باز، خطر برق گرفتگی را کم می کنند.

- ◀ در صورت لزوم کار با ابزار برقی در محیط و اماکن مرطوب، باید از یک کلید حفاظتی جریان خطا و نشستی زمین (کلید قطع کننده اتصال با زمین) استفاده کنید. استفاده از کلید حفاظتی جریان خطا و نشستی زمین خطر برق گرفتگی را کاهش می دهد.

#### رعایت ایمنی اشخاص

- ◀ حواس خود را خوب جمع کنید، به کار خود دقت کنید و با فکر و هوشیاری کامل با ابزار برقی کار کنید. در صورت خستگی و یا در صورتی که مواد مخدر، الکل و دارو استفاده کرده‌اید، با ابزار برقی کار نکنید. یک لحظه بی توجهی هنگام کار با ابزار برقی، میتواند جراثم های شدیدی به همراه داشته باشد.

#### از تجهیزات ایمنی شخصی استفاده کنید.

- ◀ همواره از عینک ایمنی استفاده نمایید. استفاده از تجهیزات ایمنی مانند ماسک ضد گرد و غبار، کفشهای ایمنی ضد لغزش، کلاه ایمنی و گوشی محافظ متناسب با نوع کار با ابزار برقی، خطر مجروح شدن را کاهش میدهد.

- ◀ مواظب باشید که ابزار برقی بطور ناخواسته بکار نیفتد. قبل از وارد کردن دوشاخه دستگاه در پریز برق، اتصال آن به باتری، برداشتن آن و یا حمل دستگاه، باید دقت کنید که ابزار برقی خاموش باشد. در صورتی که هنگام حمل دستگاه انگشت شما روی دکمه قطع و وصل باشد و یا دستگاه را در حالت روشن به برق بزنید، ممکن است سوانح کاری پیش آید.

#### قبل از روشن کردن ابزار برقی، همه ابزارهای

- ◀ تنظیم کننده و اچارها را از روی دستگاه بردارید. ابزار و اچارهایی که روی بخش های چرخنده دستگاه قرار دارند، میتوانند باعث ایجاد جراثم شوند.

- ◀ وضعیت بدن شما باید در حالت عادی قرار داشته باشد. برای وارد جای مطمئن برای خود انتخاب کرده و تعادل خود را همواره حفظ کنید. به این ترتیب میتوانید ابزار برقی را در وضعیتهای غیر منظره بهتر تحت کنترل داشته باشید.

- ◀ لباس مناسب بپوشید. از پوشیدن لباسهای گشاد و حمل زینت آلات خودداری کنید. موها و لباس خود را از بخشهای در حال چرخش دستگاه دور نگه دارید. لباسهای گشاد، موی بلند و زینت آلات ممکن است در قسمتهای در حال چرخش دستگاه گیر کنند.

- ◀ در صورتی که تجهیزاتی برای اتصال وسائل مکش گرد و غبار و یا وسیله جمع کننده گرد و غبار ارائه شده است، باید مطمئن شوید که این وسائل درست نصب و استفاده می شوند.

- ◀ استفاده از وسائل مکش گرد و غبار مصونیت شما را در برابر گرد و غبار زیاده تر میکند. آشنایی با ابزار به دلیل کار کردن زیاد با آن نباید باعث سهل انگاری شما و نادیده گرفتن

## فارسی

### دستورات ایمنی

#### هشدارهای ایمنی عمومی برای ابزارهای برقی

##### ⚠ هشدار

- ◀ کلیه هشدارها، دستورالعملها، تصاویر و مشخصات ارائه شده به همراه ابزار برقی را مطالعه کنید. اشتباهات ناشی از عدم رعایت این دستورات ایمنی ممکن است باعث برق گرفتگی، سوختگی و یا سایر جراثم های شدید شود.
- ◀ کلیه هشدارهای ایمنی و راهنماییها را برای آینده خوب نگهداری کنید.

عبارت «ابزار برقی» در هشدارها به ابزارهایی که به پریز برق متصل میشوند (با سیم برق) و یا ابزارهای برقی باتری دار (بدون سیم برق) اشاره دارد.

##### ایمنی محل کار

- ◀ محیط کار را تمیز و روشن نگه دارید. محیطهای در هم ریخته یا تاریک احتمال بروز حادثه را افزایش میدهد.

- ◀ ابزار برقی را در محیطهایی که خطر انفجار وجود دارد و حاوی مایعات، گازها و بخارهای محترقه هستند، به کار نگیرید. ابزارهای برقی چرخههایی ایجاد میکنند که میتوانند باعث آتش گرفتن گرد و غبارهای موجود در هوا شوند.

- ◀ هنگام کار با ابزار برقی، کودکان و سایر افراد را از دستگاه دور نگه دارید. در صورتیکه حواس شما پرت شود، ممکن است کنترل دستگاه از دست شما خارج شود.

##### ایمنی الکتریکی

- ◀ دوشاخه ابزار برقی باید با پریز برق تناسب داشته باشد. هیچگونه تغییری در دوشاخه ایجاد نکنید. مدل دوشاخه نباید همراه با ابزار برقی دارای اتصال زمین استفاده شود. دوشاخههای اصل و تغییر داده نشده و پریزهای مناسب، خطر برق گرفتگی را کاهش میدهند.

- ◀ از تماس بدنی با قطعات متصل به سیم اتصال زمین مانند لوله، شوفاژ، اجاق برقی و یخچال خودداری کنید. در صورت تماس بدنی با سطوح و قطعات دارای اتصال به زمین و همچنین تماس شما با زمین، خطر برق گرفتگی افزایش می یابد.

- ◀ ابزارهای برقی را در معرض باران و رطوبت قرار ندهید. نفوذ آب به ابزار برقی، خطر شوک الکتریکی را افزایش میدهد.

- ◀ از سیم دستگاه برای مقاصد دیگر استفاده نکنید. هرگز برای حمل ابزار برقی، کشیدن آن یا خارج کردن دوشاخه از سیم دستگاه استفاده نکنید. کابل دستگاه را از حرارت، روغن، لبههای تیز یا قطعات متحرک دور نگه دارید. کابلهای آسیب دیده و یا گره خورده خطر شوک الکتریکی را افزایش میدهند.

- ◀ هنگام استفاده از ابزار برقی در محیطهای باز، تنها از کابل رابطی استفاده کنید که برای

- وسائل کوچک فلزی دور نگه دارید، زیرا این وسائل ممکن است باعث ایجاد اتصالی شوند.** ایجاد اتصالی بین دو قطب باتری (ترمینالهای باتری) میتواند باعث سوختگی و ایجاد حریق شود.
- ◀ **استفاده بی رویه از باتری میتواند باعث خروج مایعات از آن شود؛ از هر گونه تماس با این مایعات خودداری کنید.** در صورت تماس آب بشوئید. در صورت آلوده شدن چشم با این مایع، باید به پزشک مراجعه کنید. مایع خارج شده از باتری میتواند باعث التهاب پوست و سوختگی شود.
- ◀ **هرگز از باتری یا ابزار آسیب دیده یا دست کاری شده استفاده نکنید.** باتریهای آسیب دیده ممکن است کارکرد غیر منتظرهای داشته باشند و منجر به آتش سوزی، انفجار یا جراحت شوند.
- ◀ **باتری یا ابزار را در معرض آتش یا دمای زیاد قرار ندهید.** قرار گرفتن در معرض آتش یا دمای بالاتر از 130 درجه سانتیگراد میتواند باعث انفجار شود.
- ◀ **همه راهنمایهای مربوط به شارژ را رعایت کنید و باتری یا ابزار را خارج از محدوده دمای تعریف شده در دستورات شارژ نکنید.** شارژ کردن نادرست یا در دمای خارج از محدوده تعریف شده ممکن است به باتری صدمه بزند و خطر آتش سوزی را افزایش دهد.
- سرویس**
- ◀ **برای تعمیر ابزار برقی فقط به متخصصین حرفهای رجوع کنید و از قطعات یدکی اصل استفاده نمایید.** این باعث خواهد شد که ایمنی دستگاه شما تضمین گردد.
- ◀ **هرگز باتریهای آسیب دیده را تعمیر نکنید.** باتری باید تنها توسط متخصصین مجاز شرکت تعمیر شوند.
- هشدارهای ایمنی برای ارههای فارسی بر**
- ◀ **اره های فارسی بر جهت برش چوب یا مواد محصولاتی چوبی در نظر گرفته شده اند و برای برش قطعات آهنی مانند میل گرد، مفتول یا پیچ و غیره مناسب نیستند.** گرد و غبار تراشه باعث مسدود شدن اجزاء متحرکی مانند قاب محافظ زیرین میشود. جرقههای برش باعث سوختن قاب محافظ زیرین، غلاف شکاف و سایر قطعات پلاستیکی خواهد شد.
- ◀ **قطعه کار را در صورت امکان با گیره تثبیت کنید.** در صورت نگه داشتن قطعه کار با دست، باید همیشه دستان خود را در فاصله 100 میلیمتری از هر طرف تیغه اره قرار دهید. از این اره برای بریدن قطعات بسیار کوچکی که نمیتوان آنها را با گیره تثبیت کرد یا با دست نگه داشت، استفاده نکنید. چنانچه دست شما به تیغه اره بسیار نزدیک باشد، خطر بروز جراحت بر اثر تماس با تیغه بیشتر است.

- اصول ایمنی شود.** بی دقتی ممکن است باعث بروز جراحاتی در عرض کسری از ثانیه شود.
- استفاده صحیح از ابزار برقی و مراقبت از آن**
- ◀ **از وارد کردن فشار زیاد روی دستگاه خودداری کنید.** برای هر کاری، از ابزار برقی مناسب با آن استفاده کنید. بکار گرفتن ابزار برقی مناسب باعث میشود که بتوانید از توان دستگاه بهتر و با اطمینان بیشتر استفاده کنید.
- ◀ **در صورت ایراد در کلید قطع و وصل ابزار برقی، از دستگاه استفاده نکنید.** ابزار برقی که نمی توان آنها را قطع و وصل کرد، خطرناک بوده و باید تعمیر شوند.
- ◀ **قبل از تنظیم ابزار برقی، تعویض متعلقات و یا کنار گذاشتن آن، دوشاخه را از برق بکشید و یا باتری آنرا خارج کنید.** رعایت این اقدامات پیشگیری ایمنی از راه افتادن ناخواسته ابزار برقی جلوگیری می کند.
- ◀ **ابزار برقی را در صورت عدم استفاده، از دسترس کودکان دور نگه دارید و اجازة ندهید که افراد ناوارد و یا اشخاصی که این دفترچه راهنما را نخواندهاند، با این دستگاه کار کنند.** قرار گرفتن ابزار برقی در دست افراد ناوارد و بی تجربه خطرناک است.
- ◀ **از ابزار برقی و متعلقات خوب مراقبت کنید.** مواظب باشید که قسمت های متحرک دستگاه خوب کار کرده و گیر نکنند. همچنین دقت کنید که قطعات ابزار برقی شکسته و یا آسیب دیده نباشند. قطعات آسیب دیده را قبل از شروع به کار تعمیر کنید. علت بسیاری از سوانح کاری، عدم مراقبت کامل از ابزارهای برقی می باشد.
- ◀ **ابزار برش را تیز و تمیز نگه دارید.** ابزار برشی که خوب مراقبت شده و از لبه های تیز برخوردار است، کمتر در قطعه کار گیر کرده و بهتر قابل هدایت است.
- ◀ **ابزار برقی، متعلقات، متهای دستگاه و غیره را مطابق دستورات این جزوه راهنما به کار گیرید و به شرایط کاری و نوع کار نیز توجه داشته باشید.** استفاده از ابزار برقی برای عملیاتی به جز مقاصد در نظر گرفته شده، میتواند به بروز شرایط خطرناک منجر شود.
- ◀ **دستها و سطوح عایق را همواره خشک، تمیز و عاری از روغن و گریس نگه دارید.** دسته های لغزنده مانع ایمنی و کنترل در کار در شرایط غیر منتظره هستند.
- مراقبت و طرز استفاده از ابزارهای شارژی**
- ◀ **باتریها را منحصراً توسط شارژرهایی که توسط سازنده توصیه شدهاند، شارژ کنید.** در صورتی که برای شارژ باتری، آنرا در شارژری قرار دهید که برای آن باتری ساخته نشده است، خطر آتش سوزی وجود دارد.
- ◀ **در ابزارهای برقی فقط از باتریهایی استفاده کنید که برای آن نوع ابزار برقی در نظر گرفته شدهاند.** استفاده از باتریهای مترقیه میتواند منجر به بروز جراحت و حریق گردد.
- ◀ **در صورت عدم استفاده از باتری باید آنرا از گیره های فلزی، سکه، کلید، میخ، پیچ و دیگر**

- ◀ مرحله کار و قرار نگرفتن نگهدارنده در مسیر برش مطمئن شوید.
- ◀ برای برشکاری قطعاتی که بزرگتر از میز هستند از حائل یا خرک استفاده کنید. قطعاتی که بزرگتر از میز هستند، ممکن است بدون تکیه گاه واژگون شوند. در صورت واژگون شدن یک قطعه چوب یا قطعه کار، ممکن است قاب پایینی بلند شود و بدون کنترل توسط تیغه ی در حال چرخش پرتاب گردد.
- ◀ از اشخاص دیگر جهت تکیه دادن یا نگهداشتن قطعات کار استفاده نکنید. بی ثباتی حائل قطعه کار میتواند باعث گیر کردن تیغه اره یا جابهجا شدن قطعه کار در طول برش شده و شما و همکاران را به سمت تیغه اره در حال چرخش بکشاند.
- ◀ تکه بریده شده نباید گیر کند یا هیچ وسیله‌ای به تیغه اره فشرده شود. در صورت قرار گرفتن تحت فشار، برای مثال با استفاده از نگهدارنده‌های طولی، ممکن است تکه بریده شده با تیغه اره در گیر و با فشار به بیرون پرتاب شود.
- ◀ مناسب جهت ثابت نگه داشتن صحیح اجسام گرد مانند میله‌ها یا لوله‌ها، همیشه از گیره یا تجهیزات مهار استفاده کنید. اجسام گرد هنگام برش میل به چرخش دارند که باعث گیر کردن آنها در تیغه اره میشود و قطعه کار را با دست شما به طرف تیغه اره میکشند.
- ◀ قبل از شروع برش روی قطعه کار، بگذارید اره به بیشینه سرعت خود برسد. این کار خطر پرتاب شدن قطعه کار را کم می کند.
- ◀ در صورت گیر کردن قطعه کار یا تیغه اره، دستگاه را خاموش کنید. صبر کنید تا کلیه قسمت‌های متحرک متوقف شوند، کابل را از برق بکشید و/یا باتری را بیرون بیاورید. سپس جسم گیر کرده را آزاد کنید. ادامه دادن به برش هنگامی که قطعه کار گیر کرد است، میتواند باعث از دست رفتن کنترل و آسیب رسیدن به اره فارسی بر شود.
- ◀ پس از اتمام برش، کلید را رها کنید، سر اره را پایین نگه دارید و صبر کنید تا تیغه متوقف شود، سپس قطعه بریده شد را بردارید. نزدیک کردن دست به تیغه در حال حرکت بسیار خطرناک است.
- ◀ هنگام انجام نیم برش یا رها کردن کلید قبل از رسیدن سر اره به پایین ترین حد خود، دسته را محکم نگه دارید. عمل ترمز اره ممکن است سر اره را به طور ناگهانی پایین بکشاند و سبب وارد آمدن جراحت گردد.
- ◀ هنگامی که سر اره به پایین ترین موقعیت رسیده است، دسته را رها نکنید. سر اره را همیشه با دست به بالاترین موقعیت برگردانید. اگر سر اره بدون کنترل حرکت کند، احتمال آسیب دیدگی وجود دارد.
- ◀ محل کار را تمیز نگهدارید. ترکیبات مواد بسیار خطرناک هستند. گرد فلز سبک ممکن است آتش بگیرد یا منفجر شود.
- ◀ هرگز از تیغه های اره کُند، ترک خورده، خمیده شده یا آسیب دیده استفاده نکنید.

- ◀ قطعه کار باید بدون حرکت و با گیره محکم شده باشد یا به طرف نگهدارنده و میز فشرده شود. هرگز قطعه کار را به طرف تیغه اره نرانید یا به صورت "دست آزاد" کار نکنید. قطعه کارهای شل و متحرک می توانند به بیرون پرتاب شوند و باعث جراحت گردند.
- ◀ اره را به داخل قطعه کار فشار دهید. از کشیدن اره در قطعه کار خودداری کنید. جهت ایجاد برش، سر اره را بلند کنید و آن را بدون برش دادن، بالای قطعه کار قرار دهید، موتور را روشن کنید، سر اره را پایین ببرید و تیغه اره را به داخل قطعه کار فشار دهید. در صورت برش همراه با کشیدن، این خطر وجود دارد که تیغه اره بلند شود و مجموعه تیغه اره با فشار به طرف کاربر پرت شود.
- ◀ هرگز دستان خود را در جلو یا پشت تیغه اره به صورت ضربدوری بالای خط برش مورد نظر قرار ندهید. نگه داشتن قطعه کار به صورت ضربدوری یعنی نگهداشتن قطعه کار در طرف راست تیغه اره با دست چپ و برعکس بسیار خطرناک است.
- ◀ هنگام چرخش تیغه اره، دستان خود را برای برداشتن تراشه‌های چوب یا هر منظور دیگری، در پشت نگهدارنده به فاصله کمتر از 100 میلیمتری هر دو طرف تیغه اره نزدیک نکنید. نزدیک بودن دستان شما به تیغه اره قابل تشخیص نیست و از این رو ممکن است خود را به شدت مجروح کنید.
- ◀ قبل از برش، قطعه کار خود را بررسی کنید. در صورتی که قطعه کار دارای قوس یا خمیدگی است، آن را به گونهای که سمت خمیده به طرف نگهدارنده باشد، با گیره تثبیت کنید. همیشه اطمینان حاصل کنید که در سرتاسر خط برش بین قطعه کار، نگهدارنده و میز فاصله‌های وجود ندارد. قطعه‌های کار دارای قوس یا خمیدگی ممکن است بچرخند و جا به جا شوند و باعث گیر کردن تیغه اره هنگام کار گردند. در قطعه کار نباید میخ یا اجسام خارجی وجود داشته باشد.
- ◀ اره را تنها وقتی بکار برید که میز عاری از ابزار و تراشه های چوب و غیره باشد. تراشه‌ها، تکه‌های کوچک چوب و سایر اشیائی که با تیغه در حال چرخش تماس پیدا میکنند، با سرعت زیاد به بیرون پرت میشوند.
- ◀ هر بار فقط یک قطعه کار را ببرید. قطعات کار روی هم گذاشته شده را نمی توان مهار کرد و ممکن است هنگام برش سر بخورند و باعث گیر کردن تیغه گردند.
- ◀ قبل از کار، اره را روی یک سطح صاف و ثابت قرار دهید. یک سطح صاف و ثابت خطر بی ثباتی اره فارسی بر را کاهش میدهد.
- ◀ با برنامه کار کنید. هر بار هنگام تغییر شیب تیغه اره یا زاویه برش فارسی دقت کنید که نگهدارنده برای مهار کردن قطعه کار درست تنظیم شده باشد و با تیغه اره یا قاب محافظ تماس پیدا نمیکند. بدون روشن کردن اره و قرار دادن قطعه کار بر روی میز، یک مرحله کامل برش فرضی را انجام دهید تا از بی عیب بودن

جهت پرتو لیزر نباید به طرف افراد و یا حیوانات باشد و خودتان هم مستقیماً به پرتو لیزر یا بازتاب آن نگاه نکنید. این کار ممکن است منجر به خیره شدگی افراد، بروز سانه یا آسیب دیدگی چشم گردد.



در صورت برخورد پرتوی لیزر به چشم، چشمها را فوراً ببندید و سر را از محدوده ی پرتوی لیزر خارج کنید.

هیچ گونه تغییری در تنظیمات لیزر انجام ندهید. امکانات تنظیم ذکر شده در دفترچه راهنما را می توان بدون خطر استفاده کرد.

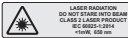
اجازه ندهید کودکان بدون نظارت از ابزار برقی استفاده کنند. ممکن است ناخواسته چشم دیگران یا خودتان دچار خیرگی شود.

## علایم

علایم و نماد های زیر و معانی آنها میتوانند برای کار و استفاده از ابزار برقی شما پر اهمیت باشند. لطفاً این علایم و مفهوم آنها را خوب بخاطر بسپارید. تفسیر صحیح این علایم به شما کمک میکند که ابزار برقی را بهتر و مطمئن تر مورد استفاده قرار بدهید.

### علایم و مفهوم آنها

پرتو لیزر  
به پرتو لیزر نگاه نکنید  
لیزر کلاس 2



هنگامی که ابزار برقی در حال کار است، دست های خود را در محدوده اره قرار ندهید. در صورت تماس با تیغه اره، خطر آسیب دیدگی وجود دارد.



از ماسک ایمنی تنفس در برابر گرد و غبار استفاده کنید.



از عینک ایمنی استفاده کنید.



از گوشی ایمنی استفاده کنید. صدای بلند ممکن است به شنوایی شما آسیب برساند.



محدوده خطر! در صورت امکان دست ها، انگشتان یا بازوهای خود را از این محدوده دور نگاه دارید.



ابزار برقی را جهت حمل و نقل فقط از جاهای مشخص شده (محمل ترفتنگی جای دست) یا از دسته حمل و نقل بگیرید.



تیغه های اره کند یا با دندانده هایی نامنظم در یک شکاف برش تنگ، باعث ایجاد اصطکاک بالا، گیر کردن تیغه اره و پس زدن (ضربه به عقب) می شوند.

از تیغه های اره ساخته شده از فولاد آلیاژی با استحکام بالا (فولاد HSS) استفاده نکنید. اینگونه تیغه های اره ممکن است سریع بشکنند.

همواره از تیغه های دارای اندازه و سوراخ نگهدارنده مناسب (مثلاً شکل گرد یا لوزی) استفاده کنید. تیغه ارههایی که با قطعههایی قابل مونتاژ اره متناسب نباشند، به صورت غیر مدور حرکت میکنند و باعث از دست دادن کنترل میشوند.

هرگز باقیماندهای برش، تراشه های چوب و اشیایی از این قبیل را در حالی که ابزار برقی روشن است از محدوده برش دور نکنید. همواره ابتدا بازوی ابزار برقی را به وضعیت سکون اولیه بازگردانید و سپس ابزار برقی را خاموش کنید.

پس از اتمام کار، تیغه اره را قبل از سرد شدن لمس نکنید. تیغه اره در اثر کار کردن بسیار داغ می شود.

در صورتیکه باتری آسیب دیده باشد و یا از آن بطور بی رویه استفاده شود، ممکن است از باتری بخارهایی بلند شود. باتری ممکن است آتش بگیرد یا منفجر شود. در این حالت هوای محیط را تازه کنید؛ اگر احساس ناراحتی کردید، به پزشک مراجعه نمایید. استنشاق این بخارها ممکن است به مجاری تنفسی شما آسیب برساند.

باتری را باز نکنید. خطر اتصال کوتاه وجود دارد.

بوسیله ی اشیاء تیز مانند میخ یا پیچکوشی یا تأثیر نیروی خارجی ممکن است باتری آسیب ببیند. ممکن است اتصالی داخلی رخ دهد و باتری آتش گیرد، دود کند، منفجر شود یا بیش از حد داغ گردد.

از باتری قابل شارژ فقط در محصولات سازنده استفاده کنید. فقط در این صورت از باتری در برابر بار اضافی خطرناک محافظت می شود.

باتری را در برابر حرارت، از جمله در برابر تابش مداوم خورشید و همچنین در برابر آتش، آلودگی، آب و رطوبت محفوظ بدارید. خطر اتصالی و انفجار وجود دارد.



ابزار برقی به همراه یک برچسب هشدار لیزر ارسال می گردد (رجوع کنید به جدول "نمادها و مفهوم آنها").

چنانچه متن برچسب هشدار لیزر به زبان شما نیست، برچسب هشدار ارسال شده به همراه دستگاه به زبان کشور خود را قبل از اولین راه اندازی روی برچسب هشدار بچسبانید.

برچسب های هشدار بر روی ابزار برقی باید همواره خوانا و مشخص باقی بمانند، روی آنها را هرگز نپوشانید.

## علامه و مفهوم آنها

هنگام اره کردن با زاویه های مورب عمودی، خط کش های راهنمای قابل تنظیم باید به بیرون کشیده یا کاملاً برداشته شوند.



به ابعاد تیغه اره (قطر تیغه اره  $D$ ، قطر سوراخ  $d$ ) توجه کنید. قطر سوراخ  $d$  باید بدون لقی متناسب با محور ابزار باشد. چنانچه به قطعات تبدیل نیاز است، دقت کنید که ابعاد قطعه تبدیل متناسب با ضخامت تیغه اره و قطر سوراخ تیغه اره و همچنین قطر محور ابزار باشد. در صورت امکان، از قطعه تبدیل ارسالی همراه با تیغه اره استفاده کنید.



قطر تیغه اره  $D$  باید متناسب با مقدار ذکر شده روی علامت باشد. همچنین به "ابعاد تیغه اره مناسب" در فصل "مشخصات فنی" رجوع کنید.

## توضیحات محصول و کاربرد

**همه دستورات ایمنی و راهنماییها را بخوانید.** اشتباهات ناشی از عدم رعایت این دستورات ایمنی ممکن است باعث برقرافتگی، سوختگی و یا سایر جراحات های شدید شود.



به تصویرهای واقع در بخشهای اول دفترچه راهنما توجه کنید.

### موارد استفاده از دستگاه

این ابزار برقی بعنوان یک دستگاه ثابت، برای انجام برش های مستقیم طولی و عرضی در چوب در نظر گرفته شده است. علاوه بر این زاویه مورب افقی -  $48^\circ$  تا  $+48^\circ$  همچنین زاویه مورب عمودی  $47^\circ$  (سمت چپ) تا  $47^\circ$  (سمت راست) امکان پذیر است. قدرت ابزار برقی طوری طراحی شده است که برای اره کردن و برش چوب های سخت و نرم، مانند تخته های خرده چوب (نئوپان) و تخته های چندلای مناسب است.

در صورت استفاده از تیغه اره های مناسب، برش پروفیلهای آلومینیوم و پلاستیک امکان پذیر است.

### تصاویر اجزاء دستگاه

شماره گذاری تصاویر اجزاء دستگاه بر اساس شکل ابزار برقی در صفحه تصاویر است.

- (1) پیچ تثبیت بازوی کشویی
- (2) تجهیزات بازوی کشویی
- (3) دسته حمل و نقل
- (4) قاب محافظ
- (5) قفل ایمنی کلید روشن/خاموش
- (6) کلید روشن/خاموش
- (7) دسته

- (8) پوشش محافظ لیزر
- (9) منفذ خروجی پرتو لیزر
- (10) حفاظ ایمنی متحرک
- (11) غلطک هدایت کننده
- (12) میز اره
- (13) سوراخ های نصب
- (14) صفحه مونتاژ
- (15) گیره قفل
- (16) پیچ تثبیت برای زاویه مورب دلفواه (افقی)
- (17) اهرم پیش تنظیم زاویه مورب (افقی)
- (18) محافظ در برابر واژگونی
- (19) برچسب هشدار لیزر
- (20) شیارهای زاویه مورب استاندارد (افقی)
- (21) درجه بندی برای زاویه مورب (افقی)
- (22) پیچ نگهدارنده میز کشویی برای گسترش کفی اره
- (23) میز کشویی برای گسترش کفی اره
- (24) پایه قطعه کار (قابلیت اتصال انعطاف پذیر)
- (25) خط کش راهنمای ثابت
- (26) خط کش راهنمای قابل تنظیم
- (27) درجه بندی برای زاویه مورب (عمودی)
- (28) نشانگر زاویه برای زاویه مورب (عمودی)
- (29) حفاظ ایمنی در برابر براده فلز
- (30) تیغه اره
- (31) قفل کننده محور دستگاه
- (32) دکمه آزادسازی باتری قابل شارژ
- (33) باتری قابل شارژ
- (34) قفل ایمنی حمل و نقل
- (35) گیره محافظت از واژگون شدن
- (36) قطعه نگهدارنده انتهای قطعه کار
- (37) کیسه گرد و غبار
- (38) پیچ تنظیم خط کش تعیین عمق سوراخ
- (39) خط کش تعیین عمق سوراخ
- (40) میله رزوه دار
- (41) گیره پیچی
- (42) سوراخ های گیره پیچی
- (43) آچار آلن/پیچ گوشتی سر تخت
- (44) پیچ قفل خط کش راهنمای قابل تنظیم
- (45) چرخک نگهدارنده برای زاویه مورب (عمودی)
- (46) اهرم قفل کننده برای زاویه مورب (عمودی)
- (47) نگهدارنده پایه قطعه کار (روی ابزار برقی)
- (48) نگهدارنده پایه دوم قطعه کار (روی پایه قطعه کار)
- (49) پیچ رزوه دار
- (50) آداپتور مکش
- (51) پیچ آلن برای اتصال تیغه اره



(57) بدنه لیزر	(52) فلنج مهار
(58) نشانگر زاویه مورب (افقی)	(53) فلنج مهار داخلی
(59) پیچ نشانگر زاویه (افقی)	(54) پیچ های اتصال صفحه موتاز
(60) پیچ نشانگر زاویه (عمودی)	(55) پیچ درپوش محافظ لیزر
(61) محل تورفتگی جای دست	(56) پیچ اتصال محفظه لیزر

## مشخصات فنی

GCM 18V-216 D		GCM 18V-216 D		اره مورب کشویی شارژی	
3 601 M51 0B. 3 601 M51 08.		3 601 M51 0..		شماره فنی	
18	18	V=		ولتاژ نامی	
5000	5000	min <sup>-1</sup>		سرعت در حالت آزاد <sup>(A)</sup>	
650	650	nm		نوع لیزر	
< 1	< 1	mW		کلاس لیزر	
2	2			وزن <sup>(B)</sup>	
17,4-16,4	17,4-16,4	kg		دمای توصیه شده محیط هنگام شارژ	
35+ ... 0	0 ... +35	°C		دمای مجاز محیط هنگام کار <sup>(C)</sup> و هنگام انبار کردن	
50+ ... 20-	-20 ... +50	°C		باتری های قابل شارژ توصیه شده	
GBA 18V... ProCORE18V...	GBA 18V... ...ProCORE18V			شارژرهای توصیه شده	
GAL 18... GAX 18... GAL 36...	GAL 18... GAX 18... ...GAL 36				
<b>ابعاد تیغه های اره مناسب</b>					
216	216	mm		قطر تیغه اره D	
1,8-1,2	1,8-1,2	mm		ضخامت تیغه اره	
25,4	30	mm		قطر سوراخ d	

(A) اندازه گیری شده در دمای 20-25 °C با باتری قابل شارژ ProCORE18V 8.0Ah.

(B) بسته به نوع باتری کاربردی

(C) توان محدود برای دمای 0 °C <

ابعاد مجاز قطعه کار (حداکثر/حداقل): (رجوع کنید به «ابعاد مجاز برای قطعات کار»، صفحه 167)

مقادیر ممکن است بسته به محصول متفاوت باشند و بستگی به شرایط استفاده و محیطی دارند. اطلاعات بیشتر را در سایت [www.bosch-professional.com/wac](http://www.bosch-professional.com/wac) مشاهده نمایید.

## باتری قابل شارژ

**Bosch** ابزارهای برقی شارژی را هم بدون باتری قابل شارژ می فروشد. در بسته بندی می توانید دریابید که آیا باتری قابل شارژ در محتویات ارسالی ابزار برقی شما وجود دارد یا خیر.

## شارژ کردن باتری قابل شارژ

⚡ **تنها شارژرهای ذکر شده در مشخصات فنی را بکار برید.** تنها این دستگاه های شارژ با باتری های لیتیوم-یونی (Li-Ion) ابزار برقی شما منطبق میباشند.

**نکته:** باتری های قابل شارژ لیتیوم یونی به دلیل قوانین حمل و نقل بین المللی به صورت نیمه شارژ تحویل داده می شوند. برای دست یافتن به توان کامل باتری قابل شارژ، قبل از به کارگیری آن برای اولین بار، باتری را به طور کامل شارژ کنید.

## نحوه قرار دادن باتری قابل شارژ

باتری شارژ شده را به داخل محفظه باتری قابل شارژ برانید تا جا بیفتد.

## نحوه برداشتن باتری قابل شارژ

برای برداشتن باتری قابل شارژ، دکمه های آزادسازی باتری را فشار دهید و آن را خارج کنید. **هنگام انجام این کار از اعمال فشار خودداری کنید.**

باتری قابل شارژ دارای 2 مرحله قفل می باشد که مانع از بیرون افتادن باتری قابل شارژ در اثر فشار ناخواسته روی دکمه آزادسازی باتری می شود. تا زمانی که باتری قابل شارژ داخل ابزار برقی قرار داشته باشد، توسط یک فنر در موقعیت خود نگه داشته می شود.

**غیره، باتری قابل شارژ را از داخل ابزار برقی خارج کنید.** در صورت فشردن شدن اتفاقی کلید روشن/خاموش، خطر آسیب دیدگی وجود دارد.

### محتویات ارسالی

برای این منظور به شرح شرایط ارسال، در ابتدای دفترچه راهنما دقت کنید.



پیش از اینکه این ابزار برقی را برای اولین بار مورد استفاده قرار دهید، کنترل کنید که آیا قطعات مندرج زیر بطور کامل ارسال شده اند:

- اره مورب کشویی با تیغه اره نصب شده
  - چرخک نگهدارنده (45)
  - خط کش راهنمای قابل تنظیم (26)
  - گیره پیچی (41)
  - آچار آلن/پیچ گوشتی سر تخت (43)
  - کیسه گرد و غبار (37)
  - پایه های قطعه کار (24) (2 قطعه)
- نکته:** ابزار برقی را از نظر هر گونه آسیب دیدگی احتمالی کنترل کنید.
- قبل از ادامه کار با ابزار برقی، کلیه تجهیزات ایمنی یا قطعات دارای آسیب دیدگی خفیف را از نظر قابلیت کامل انجام کار مقرر و عملکرد بینقص آنها، کنترل کنید. قطعات متحرک باید در خصوص عملکرد بدون عیب و نقص و گیر نکردن و آسیب دیدن آنها مورد بررسی قرار گیرد. برای تضمین در عملکرد صحیح و بدون نقص باید تمامی قطعات بطور صحیح نصب شده و شرایط لازم برای آنها فراهم شده باشد. قطعات و تجهیزات ایمنی آسیب دیده باید به شکلی مطلوب و توسط نمایندگیهای مجاز تعمیر و یا تعویض شوند.

### نصب قطعات تکی

- با احتیاط بسته بندی ها را از دستگاه برقی و قطعات متعلقه و ملحقات ارسالی جدا کنید.
- همه بسته بندی ها را از دستگاه برقی و قطعات متعلقه و ملحقات ارسالی جدا کنید.
- برای سهولت کار هنگام مونتاژ اجزای دستگاه ارائه شده، مطمئن شوید که ابزار برقی در موقعیت حمل و نقل قرار دارد.

**نحوه نصب پایه های قطعه کار (رجوع کنید به تصویر A1)**

- پایه های قطعه کار (24) را می توان چپ، راست یا جلوی ابزار برقی قرار داد. سیستم اتصال انعطاف پذیر امکان ارائه افزایش انواع طول ها یا عرض ها را به شما می دهد (رجوع کنید به تصویر G).
  - در صورت نیاز، پایه قطعه کار (24) را در نگهدارنده (47) روی ابزار برقی یا در نگهدارنده (48) پایه دوم قطعه کار قرار دهید.
- ◀ **هرگز ابزار برقی را توسط پایه های قطعه کار حمل نکنید.**
- هنگام حمل و نقل ابزار برقی، فقط از تجهیزات حمل و نقل استفاده کنید.**

### نشانهگر وضعیت شارژ باتری

نکته: هر نوع باتری قابل شارژ دارای نشانهگر میزان شارژ نیست.

چراغهای سبز LED نشانهگر وضعیت شارژ باتری، وضعیت شارژ باتری را نشان میدهند. به دلایل ایمنی، فراخوانی وضعیت شارژ باتری تنها در حالت توقف ابزار برقی ممکن است.

دکمه را جهت پدیدار شدن نشانهگر وضعیت شارژ Ⓜ یا وضعیت شارژ فشار دهید. این کار هنگامی که باتری برداشته شده باشد نیز ممکن است. چنانچه پس از فشردن دکمه نشانهگر وضعیت شارژ هیچ LED روشن نشود، باتری خراب است و باید تعویض گردد.

### نوع باتری GBA 18V...



ظرفیت	LED
3 عدد چراغ سبز ممتد	100-60 %
2 عدد چراغ سبز ممتد	60-30 %
1 عدد چراغ سبز ممتد	30-5 %
1 عدد چراغ سبز چشمک زن	5-0 %

### نوع باتری ProCORE18V...



ظرفیت	LED
5 عدد چراغ سبز ممتد	100-80 %
4 عدد چراغ سبز ممتد	80-60 %
3 عدد چراغ سبز ممتد	60-40 %
2 عدد چراغ سبز ممتد	40-20 %
1 عدد چراغ سبز ممتد	20-5 %
1 عدد چراغ سبز چشمک زن	5-0 %

### توضیحات و تذکراتی برای نحوه بهینه کار با باتری

- باتری را در برابر رطوبت و آب حفظ کنید.
- باتری را منحصراً در دمای بین -20 تا 50 درجه نگهداری کنید. بطور مثال باتری را در تابستان داخل اتومبیل نگذارید.
- گاهیگاه شیارهای تهویه باتری را بوسیله یک قلم موی یا برس کوچک نرم و خشک تمیز کنید.
- افت قابل توجه مدت زمان کارکرد باتری که تازه شارژ شده است، نمایانگر آن است که باتری فرسوده و مستعمل شده و باید تعویض شود.
- به نکات مربوط به نحوه از رده خارج کردن باتری توجه کنید.

### نصب

◀ قبل از انجام هر گونه کاری با ابزار برقی (از جمله سرویس و نگهداری، تعویض ابزار و

توانید آن را به کمک حفاظ واژگون شدن و پایه اضافی سرپا کنید.

◀ **بدون گیره ی محافظت از واژگون شدن و حفاظ واژگون شدن ابزار برقی مطمئن قرار نمی گیرد و ممکن است بخصوص هنگام اره کاری با بیشترین زاویه ی برش فارسی واژگون شود.**

- حفاظ واژگون شدن (18) را آنقدر به درون و بیرون بپیچانید تا ابزار برقی، صاف روی سطح کار قرار گیرد.

### مکش گرد، براده و تراشه

گرد و غبار موادی مانند رنگ های دارای سرب، بعضی از چوب ها، مواد معدنی و فلزات میتوانند برای سلامتی مضر باشند. دست زدن و یا تنفس کردن گرد و غبار ممکن است باعث بروز آلرژی و یا بیماری مجاری تنفسی شخص استفاده کننده و یا افرادی که در آن نزدیکی میباشند، بشود. گرد و غبارهای مخصوصی مانند گرد و غبار درخت بلوط و یا درخت راش سرطان زا هستند، بخصوص ترکیب آنها با سایر موادی که برای کار بر روی چوب (کرومات، مواد برای محافظت از چوب) بکار برده میشوند. فقط افراد متخصص مجازند با موادی که دارای آزیست میباشند کار کنند.

- حتی الامکان از یک دستگاه مکش مناسب و درخور ماده (قطعه کار) استفاده کنید.

- توجه داشته باشید که محل کار شما از تهویه هوای کافی برخوردار باشد.

- توصیه میشود از ماسک تنفسی ایمنی با درجه فیلتر P2 استفاده کنید.

به قوانین و مقررات معتبر در کشور خود در رابطه با استفاده از مواد و قطعات کاری توجه کنید.

◀ **از تجمع گرد و غبار در محل کار جلوگیری کنید.** گرد و غبار می توانند به آسانی مشتعل شوند.

دستگاه مکنده گرد و غبار و تراشه ممکن است در اثر گرد و غبار، تراشه ها، براده ها یا در اثر مکش تکه های کوچک قطعه کار مسدود شود.

- ابزار برقی را خاموش کنید و باتری را درآورید.  
- منتظر بمانید تا تیغه اره بطور کامل متوقف بشود.

- علت گرفتگی و انسداد را مشخص نموده و آنرا برطرف کنید.

### مکش سرخود (رجوع کنید به تصویر C)

برای سهولت در جمع آوری تراشه ها، از کیسه گرد و غبار (37) ارسالی استفاده کنید.

- دسته حمل و نقل (3) را در حالت عمودی قرار دهید.

- کیسه گرد و غبار (37) را طوری روی آداپتور مکش (50) قرار دهید و بچرخانید تا پین کیسه گرد و غبار درون شیار روی آداپتور مکش جا بیفتد.

کیسه گرد و غبار به هیچ وجه نباید هنگام اره کردن با قسمت های متحرک دستگاه تماس پیدا کند.

کیسه گرد و غبار را به موقع خالی کنید.

◀ **پس از هر بار استفاده از کیسه جمع آوری گرد و غبار، آنرا کنترل و تمیز کنید.**

### نحوه نصب چرخک نگهدارنده (رجوع کنید به تصویر A2)

چرخک نگهدارنده (45)، زاویه مورب عمودی تنظیم شده را تثبیت می کند و برای عملکردی ایمن، لازم و ضروری است.

- مهره شش گوش را از پیچ رزوه دار (49) باز کنید.

- چرخک نگهدارنده (45) را در جهت حرکت عقربه ساعت روی پیچ رزوه دار (49) بپیچانید و محکم کنید.

### نحوه نصب خط کش راهنمای قابل تنظیم (رجوع کنید به تصویر A3)

خط کش راهنمای قابل تنظیم (26) باید قبل از اره کاری نصب گردد.

- خط کش راهنما (26) را از سمت راست تیغه اره در شیار مربوطه برانید و پیچ قفل کننده (44) را محکم کنید.

قسمت مسطح خط کش راهنما باید به سمت داخل به سمت تیغه اره باشد.

### نحوه نصب در محل ثابت یا متغیر

◀ **برای تضمین استفاده مطمئن از این ابزار برقی، باید ابزار برقی را پیش از شروع به کار روی یک سطح صاف و ثابت کاری (بعنوان مثال روی یک میز کار) نصب کنید.**

### نصب روی سطح کار (رجوع کنید به تصویر B1-B2)

- ابزار برقی را به وسیله پیچهای اتصال مناسب روی سطح کار محکم کنید. سوراخها (13) بدین منظور مورد استفاده قرار میگیرند.

یا

- ابزار برقی را به وسیله یک گیره پیچی معمولی موجود در بازار، از محل پایههای دستگاه به سطح کار محکم کنید.

### نحوه نصب بر روی یک میز کار Bosch

میز کار GTA بوش با قابلیت تنظیم ارتفاع پایهها، استقرار ابزار برقی را بر روی هر سطحی امکان پذیر میسازد. پایه های قطعه کارمیز کار، جهت پشتیبانی هنگام کار با قطعات بلند مورد استفاده قرار میگیرند.

### ◀ لطفاً کلیه نکات ایمنی و دستورالعمل های پیوست شده در رابطه با میز کار را بدقت مطالعه کنید.

اشتباهات ناشی از عدم رعایت این نکات و دستورالعمل های ایمنی، ممکن است باعث برق گرفتگی، حریق و یا سایر جراحت های شدید شود.

### ◀ پیش از نصب ابزار برقی، ابتدا میز کار را بدرستی نصب و مستقر کنید.

مونتاز صحیح و استقرار کامل و بدون ایراد میز کار، برای جلوگیری از در هم شکستن آن بسیار پر اهمیت است.

- ابزار برقی را در موقعیت حمل و نقل بر روی میز کار نصب کنید.

### قرار دادن آزاد (توصیه نمی شود!)(رجوع کنید به تصویر B3)

چنانچه در موارد استثنایی ممکن نباشد، ابزار الکتریکی را روی سطح صاف و ثابت نصب کرد، می

### فلش روی تیغه اره، با جهت فلش روی قاب محافظ مطابقت داشته باشد!

- در صورت لزوم پیش از تنظیم، تمام قطعات نصب را تمیز کنید.
- حفاظ ایمنی متمرک (10) را به عقب برانید و آن را در این موقعیت نگه دارید.
- تیغه اره جدید را روی فلائز مهار داخلی (53) قرار دهید.
- فلائز مهار (52) و پیچ آلن (51) را قرار دهید.
- قفل کننده محور دستگاه (31) را فشار دهید تا جا بیفتد و پیچ آلن را خلاف جهت عقربه های ساعت سفت کنید.
- حفاظ ایمنی متمرک را دوباره آهسته به پایین برانید.

## طرز کار با دستگاه

- قبل از انجام هر گونه کاری با ابزار برقی (از جمله سرویس و نگهداری، تعویض ابزار و غیره)، باتری قابل شارژ را از داخل ابزار برقی خارج کنید. در صورت فشرده شدن اتفاقی کلید روشن/خاموش، خطر آسیب دیدگی وجود دارد.

### قفل ایمنی حمل و نقل (رجوع کنید به تصویر E)

قفل ایمنی حمل و نقل (34) امکان جابجایی راحت ابزار برقی را، در هنگام حمل و نقل آن به نقاط مختلف کاری، برای شما فراهم میسازد.

### نحوه آزاد سازی ابزار برقی (وضعیت کاری)

- بازوی ابزار را روی دسته (7) کمی به پایین فشار دهید تا از ایجاد فشار روی ایمنی حمل و نقل (34) بکاهید.
- ایمنی حمل و نقل (34) را کاملاً به بیرون بکشید.
- بازوی ابزار را آهسته به طرف بالا ببرید.

### نحوه ایمن نمودن ابزار برقی (وضعیت حمل و نقل و حرکت)

- پیچ تثبیت (1) را در صورت گیر کردن آن به تجهیزات کشویی (2) باز کنید. بازوی ابزار را بطور کامل به سمت جلو بکشید و برای محکم شدن تجهیزات کشویی، پیچ تثبیت را دوباره محکم کنید.
- خط کش تعیین عمق سوراخ (39) را به بالا بکشید.
- جهت قفل کردن میز اره (12)، پیچ تثبیت (16) را محکم کنید.
- بازوی ابزار را از دسته (7) تا جایی به سمت پایین برانید که قفل ایمنی حمل و نقل (34) به طور کامل به داخل فشرده شود.
- بازوی ابزار اکنون به طور مطمئن جهت حمل و نقل قفل شده است.

### نحوه آماده سازی برای کار

- برای تضمین انجام برش های دقیق، باید بعد از کاربرد مستمر ابزار برقی، تنظیمات پایه و اولیه ابزار برقی را کنترل نموده و در صورت لزوم تنظیم و اصلاح کنید.
- برای این منظور به تجربه و ابزار ویژه نیاز دارید.

### به منظور جلوگیری از خطر آتش سوزی، به هنگام اره کردن آلومینیوم کیسه جمع آوری گرد و غبار و تراشه را جدا کنید.

### مکش گرد و غبار توسط مکنده مجزا

- برای ایجاد مکش میتوانید روی آداپتور دستگاه مکش (50) یک شیلنگ مکش گرد و غبار (Ø 35 mm) نیز وصل کنید.
- شیلنگ مکش گرد و غبار را با آداپتور دستگاه مکش (50) متصل کنید.
- دستگاه مکنده باید برای قطعه کار مورد نظر مناسب باشد.
- برای مکش گرد و غباری که برای سلامتی مضرند و سرطان زا هستند و یا برای مکش تراشه های خشک باید از یک دستگاه مکنده مخصوص استفاده کنید.

### تعویض تیغه اره (رجوع کنید به تصویر D1-D4)

- قبل از انجام هر گونه کاری با ابزار برقی (از جمله سرویس و نگهداری، تعویض ابزار و غیره)، باتری قابل شارژ را از داخل ابزار برقی خارج کنید. در صورت فشرده شدن اتفاقی کلید روشن/خاموش، خطر آسیب دیدگی وجود دارد.
- به هنگام مونتاژ تیغه اره از دستکش ایمنی استفاده کنید. در تماس با تیغه اره خطر آسیب دیدگی و جراحت وجود دارد.

فقط از تیغه های اره ای استفاده کنید که حداکثر سرعت مجاز آنها از سرعت در حالت آزاد (بدون بار) ابزار برقی شما بیشتر باشد.

فقط از تیغه های اره ای استفاده کنید که دارای مشخصات و ارقام فنی مندرج در این دستورالعمل کاری باشند و طبق استاندارد EN 847-1 کنترل و آزمایش شده و مطابق آن علامتگذاری شده باشند. فقط از تیغه های اره ای استفاده کنید که توسط سازنده این ابزار برقی توصیه شده است و همچنین برای جنس قطعه کار مورد نظر مناسب باشد. این از داغ شدن بیش از حد دندانه های اره هنگام اره کاری جلوگیری می کند.

### نحوه باز کردن و برداشتن تیغه اره

- ابزار برقی را در وضعیت آماده برای انجام کار قرار دهید.
- حفاظ ایمنی متمرک (10) را به عقب بچرخانید و آن را در این موقعیت نگه دارید.
- پیچ آلن (51) را با آچار آلن (6 میلیمتر) (43) بچرخانید و بطور همزمان قفل کننده محور دستگاه (31) را فشار دهید تا جا بیفتد.
- قفل کننده محور دستگاه (31) را فشرده نگه دارید و پیچ آلن (51) را در جهت چرخش عقربه های ساعت (رو به چپ!) به بیرون بچرخانید.
- فلنج مهار (52) را بردارید.
- تیغه اره (30) را جدا کنید.
- حفاظ ایمنی متمرک را دوباره آهسته به سمت پایین هدایت کنید.

### نحوه نصب کردن تیغه اره

- هنگام نصب تیغه اره توجه داشته باشید که جهت برش (تیزی) دندانه های تیغه اره (جهت

- برای ثابت کردن میز کشویی برای گسترش کفی اره، پیچ نگهدارنده (22) را دوباره محکم کنید.
- سیستم اتصال انعطاف پذیر در پایه قطعه کار (24) امکان ارائه افزایش انواع طول ها یا عرض ها را به شما می دهد.
- در صورت نیاز، پایه قطعه کار (24) را در نگهدارنده (47) روی ابزار برقی یا در نگهدارنده (48) پایه دوم قطعه کار قرار دهید.
- ◀ **سرگز ابزار برقی را توسط پایه های قطعه کار حمل نکنید.**
- هنگام حمل و نقل ابزار برقی، فقط از تجهیزات حمل و نقل استفاده کنید.**

تعمیرگاه مجاز و خدمات پس از فروش Bosch این کار را سریع و مطمئن انجام می دهد.

### نحوه افزایش طول/عرض میز اره (رجوع کنید به تصویر F-G)

- زیر قسمت انتهایی باز قطعات کاری سنگین و طویل را باید پایه زد و یا به نحوی مهار نمود.
- میز اره را می توان به کمک میز کشویی برای گسترش کفی اره (23) از سمت چپ یا راست گسترش داد.
- پیچ نگهدارنده (22) را باز کنید.
- میز کشویی برای گسترش کفی اره (23) را به اندازه دلخواه به بیرون بکشید.

### حرکت دادن خط کش راهنما (رجوع کنید به تصویر H)

هنگام اره کاری زاویه های مورب افقی و/یا عمودی باید برحسب جهت برش، خط کش راهنمای قابل تنظیم چپ و یا راست (26) را به بیرون بکشید و یا کاملاً جدا کنید.

زاویه مورب عمودی	زاویه مورب افقی	
0°-22,5° (چپ/راست)	> 0°	- پیچ قفل کننده (44) چپ/راست را شل کنید. - خط کش راهنمای قابل تنظیم چپ/راست (26) را کاملاً به طرف بیرون بکشید.
22,5°-47° (چپ/راست)	≤ 48° (چپ/راست)	- پیچ قفل کننده (44) چپ/راست را شل کنید. - خط کش راهنمای قابل تنظیم چپ/راست (26) را کاملاً به طرف بیرون بکشید. - خط کش راهنمای قابل تنظیم را به طرف بالا بلند کنید.

- اهرم تنظیم زاویه فارسی بر را مجدداً رها کنید.
- اهرم باید کاملاً داخل بریدگی مربوطه جا بیفتد.
- دکمه تنظیم (16) را دوباره سفت کنید.

### تنظیم زاویه های فارسی افقی استاندارد دلخواه (رجوع کنید به تصویر K)

- زاویه مورب افقی را می توان در محدوده 48° (از سمت چپ) تا 48° (از سمت راست) تنظیم کرد.
- پیچ تثبیت (16) را در صورت محکم بودن، شل کنید.
- اهرم (17) را بکشید و همزمان گیره قفل کننده (15) را فشار دهید تا در شیار مربوطه جا بیفتد.
- این گونه میز اره، آزادانه حرکت می کند.
- میز اره (12) را از محل پیچ تثبیت به سمت چپ یا راست بچرخانید، تا نشانگر زاویه (58)، زاویه مورب افقی مورد نظر را نشان بدهد.
- پیچ تثبیت (16) را دوباره محکم کنید.
- جهت باز کردن دوباره اهرم (17) (برای تنظیم زاویه مورب افقی استاندارد)، اهرم را به بالا بکشید.
- گیره قفل کننده (15) به حالت اولیه خود بر می گردد و اهرم (17) می تواند دوباره در فرورفتگی (20) جا بیفتد.

### نحوه تنظیم زاویه مورب عمودی

- زاویه مورب عمودی را می توان در محدوده 47° (سمت چپ) تا 47° (سمت راست) تنظیم کرد.
- جهت تنظیم سریع و دقیق زاویه های مورب عمودی مورد استفاده، موقعیت های ثابتی برای زاویه های 0°، 22,5° و 45° در نظر گرفته شده است.

### تثبیت قطعه کار (رجوع کنید به تصویر I)

- برای تضمین حداکثر ایمنی کاری باید قطعه کار را همواره خوب مهار کنید.
- از کار روی قطعات کوچکی که قابل مهار کردن نیستند، خودداری کنید.
- قطعه کار را محکم به گونیا (26) و (25) فشار دهید.
- گیره پیچی ارسالی (41) را در سوراخ های (42) تعبیه شده قرار دهید.
- میله رزوه دار (40) گیره پیچی را با ارتفاع قطعه کار مطابقت دهید.
- میله رزوه دار (40) را سفت و به این ترتیب قطعه کار را تثبیت کنید.

### نحوه تنظیم زاویه مورب افقی

#### تنظیم زاویه های فارسی افقی استاندارد (رجوع کنید به تصویر L)

- برای تنظیم سریع و دقیق، زاویه برشهای مورب افقی، که اغلب مورد استفاده قرار میگیرند، این زوایا به صورت شیارهایی (20) بر روی میز اره از پیش در نظر گرفته شدهاند:

چپ	راست
0°	0°
45°; 30°; 22.5°; 15°	45°; 30°; 22.5°; 15°
- دکمه تنظیم (16) را در صورت محکم بودن، شل کنید.	- اهرم (17) را بکشید و میز اره (12) را تا فرورفتگی دلخواه به چپ یا راست بچرخانید.

## اره کردن

### دستورالعمل ها و توضیحات کلی برای اره کاری

◀ **پیچ تثبیت (16) و چرخک نگهدارنده (45) را همیشه قبل از اره کاری محکم کنید.** در غیر این صورت امکان گیر کردن تیغه اره در قطعه کار وجود دارد.

◀ **در انجام همه برش ها باید ابتدا کنترل و اطمینان حاصل نمایید، که تیغه اره به هیچ وجه با خط کش راهنما، گیره پیچی یا سایر قطعات دستگاه تماس پیدا نمی کند. حایل های کمکی احتمالاً مونتاژ شده را بردارید و یا آنها را با لزومات کاری مطابقت بدهید.**

تیغه اره را در برابر ضربه محافظت کنید. تیغه اره نباید در معرض هیچگونه فشار جانبی قرار بگیرد. تنها موادی را برش دهید که بر اساس مقررات کاربری مجاز باشند.

از کار بر روی قطعه کار خمیده و ناصاف خودداری کنید. قطعه کار باید همواره دارای یک لبه صاف جهت قرار دادن کنار خط کش راهنما باشد.

زیر قسمت انتهایی باز قطعات کاری سنگین و طولی را باید پایه زد و یا به نحوی مهار نمود.

از عملکرد صحیح حفاظ ایمنی متحرک و حرکت آزادانه آن اطمینان حاصل کنید. هنگام هدایت بازوی ابزار به پایین باید حفاظ ایمنی متحرک باز شود. هنگام هدایت بازوی ابزار به بالا باید حفاظ ایمنی متحرک روی تیغه اره دوباره بسته شود و در بالاترین موقعیت بازوی ابزار قفل شود.

### حالت کاربر (رجوع کنید به تصویر N)

◀ **از ایستادن و قرار گرفتن در مسیر تیغه اره در سمت جلوی ابزار برقی خودداری نموده و همواره در سمت جانبی (در پهلو) تیغه اره با فاصله بایستید.** از این طریق، بدن شما در برابر پس زدن احتمالی دستگاه محفوظ می ماند.

- دست ها، بازوها و انگشتان خود را از تیغه اره در حال چرخش دور نگهدارید.

- دستان خود را جلوی بازوی ابزار ضربدری روی هم نیاندازید.

### اره کردن با حرکت کشویی

- برای برشهای به کمک بازوی کشویی (2) (قطعات عریض) پیچ تنظیم (1) را در صورت سفت بودن، باز کنید.

- در صورت نیاز، زاویه مورب افقی یا عمودی دلخواه را تنظیم کنید.

- قطعه کار را محکم به گونیا (25) و (26) فشار دهید.

- قطعه کار را متناسب با ابعاد مربوطه بخوبی مهار کنید.

- بازوی محرک را آنقدر از گونیا (25) تا حدی دور کنید که تیغه اره جلوی قطعه کار قرار گیرد.

- ابزار برقی را روشن کنید.

- بازوی ابزار را با استفاده از دستگیره (7)، آهسته به سمت پایین هدایت کنید.

- بازوی ابزار را در جهت گونیا (25) و (26) فشار دهید و قطعه کار را با وارد کردن فشاری یکنواخت، برش دهید.

- مطمئن شوید که چرخک نگهدارنده (45) نصب شده باشد (رجوع کنید به «نحوه نصب چرخک نگهدارنده (رجوع کنید به تصویر A2)» صفحه 163).

### نحوه تنظیم زاویه مورب عمودی استاندارد (رجوع کنید به تصویر L)

- خط کش راهنمای قابل تنظیم (26) را کاملاً به بیرون بکشید یا آن را کاملاً جدا کنید.

- چرخک نگهدارنده (45) را شل کنید.

- اهرم قفل کننده (46) را به بیرون بکشید و آن را در حالت آزاد جا ببندازید.

این گونه می توانید از تمام محدوده زاویه مورب (چپ و راست) استفاده کنید.

- بازوی ابزار روی دسته (7) را به چپ یا راست برانید تا نشانگر زاویه (28) زاویه مورب عمودی استاندارد مورد نظر را نشان دهد.

- اهرم قفل کننده (46) را بچرخانید. اهرم قفل کننده باید به طور محسوس در موقعیت زاویه مورب عمودی استاندارد مورد نظر جا بیفتد.

- چرخک نگهدارنده (45) را دوباره محکم کنید.

### نحوه تنظیم زاویه مورب عمودی دلخواه

- خط کش راهنمای قابل تنظیم (26) را کاملاً به بیرون بکشید یا آن را کاملاً جدا کنید.

- چرخک نگهدارنده (45) را شل کنید.

- اهرم قفل کننده (46) را به بیرون بکشید و آن را در حالت آزاد جا ببندازید.

این گونه می توانید از تمام محدوده زاویه مورب (چپ و راست) استفاده کنید.

- بازوی ابزار روی دسته (7) را به چپ یا راست برانید تا نشانگر زاویه (28) زاویه مورب عمودی دلخواه را نشان دهد.

- چرخک نگهدارنده (45) را دوباره محکم کنید.

### راه اندازی و نحوه کاربرد دستگاه

◀ **پیچ تثبیت (16) و چرخک نگهدارنده (45) را همیشه قبل از اره کاری محکم کنید.** در غیر این صورت امکان گیر کردن تیغه اره در قطعه کار وجود دارد.

### روشن کردن (رجوع کنید به تصویر M)

- برای روشن کردن ابزار برقی ابتدا قفل ایمنی کلید روشن خاموش (5) را به وسط هدایت کنید و سپس کلید روشن/خاموش (6) را فشار داده و آن را نگهدارید.

**نکته:** بنا به دلایل ایمنی، کلید قطع و وصل (6) را نمی توان تثبیت و قفل کرد، بلکه آنرا باید در حین کار همواره در حالت فشرده نگهداشت.

### خاموش کردن

- برای خاموش کردن کلید قطع و وصل (6) را رها کنید.

راست تیغه اره محکم کرد): 100 x 40 mm (طول) x عرض)

**حداکثر عمق برش** (0°/0°): 70 mm

**نحوه تنظیم خط کش تعیین عمق سوراخ (شیار انداختن) (رجوع کنید به تصویر Q)**

برای ایجاد یک شیار، باید خط کش تعیین عمق سوراخ را تنظیم نمود.

- خط کش تعیین عمق سوراخ (39) را به سمت بیرون بچرخانید.

- بازوی ابزار روی دستگیره (7) را به موقعیت دلخواه بچرخانید.

- پیچ تنظیم (38) را آنقدر بچرخانید که انتهای پیچ، با خط کش تعیین عمق سوراخ (39) تماس پیدا کند.

- بازوی ابزار را آهسته به سمت بالا هدایت کنید.

**نحوه اره کردن قطعات کار با طول یکسان (رجوع کنید به تصویر R)**

جهت اره کردن آسان قطعات کار با طول یکسان، می توانید از قطعه نگهدارنده انتهای قطعه کار سمت چپ یا راست (36) استفاده کنید.

- نگهدارنده انتهای قطعه کار (36) را به بالا بچرخانید.

- میز کشویی برای گسترش کمی اره (23) را به اندازه طول مورد نظر قطعه کار تنظیم کنید.

### قطعات کاری ویژه

در بریدن قطعات کاری خمیده یا قطعات گرد، باید با مهار کردن صحیح از لغزیدن قطعه کار جلوگیری کنید. در خط برش نباید هیچ فاصله یا شکافی مابین قطعه کار، خط کش راهنما و میز اره وجود داشته باشد.

در صورت لزوم باید یک گیره نگهدارنده ویژه درست کنید.

**تعویض صفحه مونتاژ (رجوع کنید به تصویر S)**

صفحات (14) ممکن است بعد از استفاده طولانی از دستگاه، مستهلک شوند.

صفحه های آسیب دیده را تعویض کنید.

- ابزار برقی را در وضعیت آماده به کار قرار دهید.

- پیچ ها (54) را با پیچ گوهی چهارسوی رایج در بازار باز و صفحه مونتاژ قدیمی (14) را بردارید.

- صفحه مونتاژ جدید را قرار دهید و پیچ ها (54) را دوباره محکم کنید.

### تنظیم کردن لیزر

**نکته:** جهت آزمایش عملکرد لیزر بایستی ابزار برقی به برق وصل باشد.

◀ **هرگز کلید روشن/خاموش را هنگام تنظیم لیزر (مثلاً هنگام حرکت دادن بازوی ابزار)، فعال نکنید.** روشن شدن ناخواسته ابزار برقی می تواند باعث ایجاد جراثیم گردد.

- ابزار برقی را در وضعیت آماده برای انجام کار قرار دهید.

- میز اره (12) را تا شیار (20) 0° بچرخانید. اهرم (17) باید کاملاً بطور محسوس در داخل شیار قرار بگیرد.

- ابزار برقی را خاموش کنید و منتظر بمانید که تیغه اره بطور کامل متوقف شود.

- بازوی ابزار را آهسته به طرف بالا هدایت کنید.

**اره کردن بدون حرکت کشویی (درپوشها) (رجوع کنید به تصویر O)**

- برای برشهای بدون حرکت طولی (قطعات کوچک) پیچ تنظیم (1) را در صورت سفت بودن شل کنید.

- بازوی ابزار را تا انتها در جهت گونیا (25) هدایت کنید و پیچ تنظیم (1) را دوباره محکم کنید.

- در صورت نیاز، زاویه مورب افقی یا عمودی دلخواه را تنظیم کنید.

- قطعه کار را محکم به گونیا (25) و (26) فشار دهید.

- قطعه کار را متناسب با ابعاد مربوطه بخوبی مهار کنید.

- ابزار برقی را روشن کنید.

- بازوی ابزار را با دستگیره (7) آهسته به پایین هدایت کنید.

- قطعه کار را با کششی یکنواخت اره کنید.

- ابزار برقی را خاموش کنید و منتظر بمانید که تیغه اره بطور کامل متوقف شود.

- بازوی ابزار را آهسته به طرف بالا هدایت کنید.

### راهنمائیهای عملی

**علامت گذاری خط برش (رجوع کنید به تصویر P)**

دو پرتوی لیزر، خط برش تیغه اره را به شما نشان می دهند. از این طریق می توانید بدون اینکه حفاظ ایمنی متحرک را باز کنید، قطعه کار را جهت اره کردن به دقت در موقعیت برش قرار دهید.

- برای این منظور، پرتوهای لیزر را با کوتاه فشار دادن کلید روشن/خاموش (6) روشن کنید، بدون اینکه قفل ایمنی کلید روشن/خاموش (5) را فشار دهید.

- علامت گذاری خود را روی قطعه کار بین هر دو پرتوی لیزر تنظیم کنید.

**تذکر:** قبل از اره کردن، نمایش صحیح خط برش را بررسی کنید (رجوع کنید به „تنظیم کردن لیزر“، صفحه 167). ممکن است پرتوهای لیزر به عنوان مثال هنگام استفاده تند، در اثر لرزش تغییر کنند.

### ابعاد مجاز برای قطعات کار

حداکثر قطعات کار:

ارتفاع x عرض [mm]	زاویه مورب عمودی	زاویه مورب افقی
70 x 305	0°	0°
70 x 215	0°	45° (چپ/راست)
42 x 215	45° (چپ)	45° (چپ)
20 x 215	45° (راست)	45° (راست)
42 x 305	45° (چپ)	0°
20 x 305	45° (راست)	0°

**حداقل قطعات کار (= همه قطعات کاری که می توان آنها را با گیره پیچی ارسالی (41) طرف چپ یا**

برای تضمین انجام برش های دقیق، باید بعد از کاربرد مستمر، پرتوهای لیزر را کنترل و در صورت لزوم از نو تنظیم کنید.  
برای این منظور، به تجربه و ابزار مخصوص نیاز دارید. تعمیرگاه مجاز و خدمات پس از فروش بوش این کار را سریع و مطمئن انجام می دهد.

#### نحوه بررسی کردن (رجوع کنید به تصویر T1)

- روی یک قطعه کار یک خط برش مستقیم رسم کنید.
- بازوی ابزار را با استفاده از دسته (7)، آهسته به سمت پایین هدایت کنید.
- قطعه کار را طوری تراز کنید که دندان های تیغه ااره با خط برش هماهنگ شوند.
- قطعه کار را در این موقعیت محکم نگه دارید و بازوی ابزار را به آهستگی دوباره به سمت بالا هدایت کنید.
- قطعه کار را محکم مهار کنید.
- پرتو لیزر را با کلید (6) روشن کنید، بدون اینکه دکمه قفل کننده (5) را فشار دهید.

پرتوهای لیزر باید روی کل طول در چپ و راست در همان فاصله از خط برش معین شده روی قطعه کار باشند، حتی وقتی بازوی ابزار به پایین رانده شود.

#### نحوه برداشتن درپوش محافظ لیزر (رجوع کنید به تصویر T2)

- هر دو پیچ (55) پوشش محافظ لیزر (8) را با آچار آلن/پیچ گوشتی سر تخت (43) باز کنید و پوشش محافظ لیزر را جدا کنید.

#### تنظیم انحراف جانبی هنگام حرکت بازوی ابزار (رجوع کنید به تصویر T3-T4)

- پیچ اتصال (56) را (حدود 2-1 چرخش) شل کنید. پیچ را بطور کامل باز نکنید.
- بدنه لیزر (57) را به چپ یا راست برانید تا پرتوهای لیزر هنگام حرکت به عقب بازوی ابزار، دیگر به دو طرف منحرف نشوند.
- بدنه لیزر (57) را در این موقعیت نگه دارید و پیچ اتصال (56) را دوباره محکم کنید.
- پوشش محافظ لیزر (8) را دوباره محکم کنید.

#### تنظیم و کنترل تنظیمات پایه

برای تضمین انجام برش های دقیق، باید بعد از کاربرد مستمر ابزار برقی، تنظیمات پایه و اولیه ابزار برقی را کنترل نموده و در صورت لزوم تنظیم و اصلاح کنید.  
برای این منظور به تجربه و ابزار ویژه نیاز دارید. تعمیرگاه مجاز و خدمات پس از فروش Bosch این کار را سریع و مطمئن انجام می دهد.

#### تنظیم نشانگر زاویه (افقی) (رجوع کنید به تصویر U)

- ابزار برقی را در وضعیت آماده برای انجام کار قرار دهید.
- میز ااره (12) را تا شیار (20) 0°. بچرخانید. اهرم (17) باید بطور محسوس در داخل شیار قرار بگیرد.

**نحوه کنترل**  
نشانگر زاویه (58) باید با عدد 0° صفحه مدرج، (21) در یک خط باشد.

**نحوه تنظیم**  
- پیچ (59) را با یک آچارپیچگوشتی چهارسو شل کنید و نشانگر زاویه را در امتداد عدد 0° صفحه مدرج تنظیم کنید.

- پیچ مربوطه را مجدداً محکم کنید.

#### تراز کردن نشانگر زاویه (عمودی) (رجوع کنید به تصویر V)

- ابزار برقی را در وضعیت کار قرار دهید.
- چرخک نگهدارنده (45) را شل کنید.
- اهرم قفل کننده (46) را به بیرون بکشید و به کمک بازوی ابزار، یک زاویه مورب عمودی 0° تنظیم کنید.
- اهرم قفل کننده (46) را رها کنید. اهرم قفل کننده باید به طور محسوس در این موقعیت جا بیفتد.
- چرخک نگهدارنده (45) را دوباره محکم کنید.

**نحوه کنترل**  
نشانگر زاویه (28) باید با عدد 0° صفحه مدرج (27)، در یک راستا باشد.

#### نحوه تنظیم

- پیچ (60) را با پیچ گوشتی چهارسو شل کنید و نشانگر زاویه را در امتداد عدد 0° صفحه مدرج تنظیم کنید.
- پیچ مربوطه را مجدداً محکم کنید.

#### نحوه حمل و نقل ابزار برقی (رجوع کنید به تصویر W)

◀ **قبل از انجام هر گونه کاری با ابزار برقی (از جمله سرویس و نگهداری، تعویض ابزار و غیره)، باتری قابل شارژ را از داخل ابزار برقی خارج کنید.** در صورت فشرده شدن اتفاقی کلید روشن/خاموش، خطر آسیب دیدگی وجود دارد.  
قبل از حمل و نقل ابزار برقی باید اقدامات زیر را انجام دهید:

- پیچ تثبیت (1) را در صورت محکم بودن، شل کنید. بازوی ابزار را کاملاً به طرف جلو بکشید و پیچ تثبیت مربوطه را مجدداً محکم ببندید.
- مطمئن شوید که خط کش تعیین عمق سوراخ (39) به طور کامل به سمت عقب حرکت کرده باشد و پیچ تنظیم (38)، هنگام حرکت بازوی ابزار با چیزی تماس پیدا نکند.
- ابزار برقی را در وضعیت آماده برای حمل و نقل قرار دهید.
- کلیه قطعات و متعلقاتی که قابل نصب بر ابزار برقی به صورت ثابت نیستند را بردارید. تیغه های ااره که مورد استفاده قرار نگرفته اند را در صورت امکان برای حمل و نقل داخل یک محفظه بسته قرار دهید.
- دسته حمل و نقل (3) را در حالت عمودی قرار دهید.
- ابزار برقی را از دسته حمل و نقل (3) یا از قسمت تو رفتگی جای دست (61) کنار میز ااره بگیرید.



## حمل دستگاه

باتری های لیتیوم یونی توصیه شده، مشمول الزامات قانون کالاهای خطرناک هستند. کاربر می تواند باتری ها را بدون استفاده از روشش در خیابان حمل کند.

در صورت ارسال توسط شخص ثالث (مانند: حمل و نقل هوایی یا زمینی) باید تمهیدات مربوط به بسته بندی و علامت گذاری مورد توجه قرار گیرد. در اینصورت باید حتما جهت آماده سازی قطعه ارسالی به کارشناس حمل کالاهای پر خطر مراجعه کرد. باتریها را فقط در صورتی ارسال کنید که بدنه آنها آسیب ندیده باشد. اتصالات (کنتاکتهای) باز را بپوشانید و باتری را طوری بسته بندی کنید که در بسته بندی تکان نخورد. در این باره لطفاً به مقررات و آیین نامه های ملی توجه کنید.

## از رده خارج کردن دستگاه

ابزارهای برقی، باتری ها، متعلقات و بسته بندی ها، باید طبق مقررات حفظ محیط زیست از رده خارج و بازیافت شوند.

ابزار برقی و باتری ها/ باتری های قابل شارژ را داخل زباله دان خانگی نیندازید!



## باتریهای شارژی/قلمی:

### لیتیوم-یونی:

لطفاً به تذکرات بخش (رجوع کنید به „حمل دستگاه“، صفحه 169) توجه کنید.

◀ برای حمل و نقل ابزار برقی، فقط از تجهیزات حمل و نقل استفاده کنید و هیچوقت از تجهیزات ایمنی یا پایه قطعه کار برای حمل و نقل استفاده نکنید.

## مراقبت و سرویس

### مراقبت، تعمیر و تمیز کردن دستگاه

◀ قبل از انجام هر گونه کاری با ابزار برقی (از جمله سرویس و نگهداری، تعویض ابزار و غیره)، باتری قابل شارژ را از داخل ابزار برقی خارج کنید. در صورت فشرده شدن اتفاقی کلید روشن/خاموش، خطر آسیب دیدگی وجود دارد. ◀ ابزار الکتریکی و شیارهای تهویه آنرا تمیز نگاه دارید، تا ایمنی شما در کار تضمین گردد.

حفاظ ایمنی (قاب محافظ) خودکار باید همواره آزادانه قابل حرکت باشد و بطور خودکار بسته شود. از اینرو محدوده حفاظ ایمنی خودکار را همیشه تمیز نگهدارید.

بعد از انجام هر مرحله کار، گرد و غبار و تراشه ها را به وسیله فشار هوا و یا بوسيله یک قلم مو از دستگاه دور کنید.

غلطک هدایت کننده (11) را بطور مرتب تمیز کنید.

### اقدامات برای کاهش سر و صدا

- اقدامات از طرف تولید کننده:
- روشن شدن آرام الکترونیکی
- ارسال با یک کاهنده سر و صدای ویژه تیغه ااره
- اقدامات از طرف کاربر:
- نصب بدون لرزش روی یک سطح کار ثابت
- استفاده از تیغه ااره های دارای کاهنده سر و صدا
- تمیز کردن مرتب تیغه ااره و ابزار برقی

### خدمات و مشاوره با مشتریان

خدمات مشتری، به سؤالات شما درباره تعمیرات، سرویس و همچنین قطعات یدکی پاسخ خواهد داد. نقشه های سه بعدی و اطلاعات مربوط به قطعات یدکی را در تارنمای زیر میابید:

[www.bosch-pt.com](http://www.bosch-pt.com)

گروه مشاوره به مشتریان Bosch با کمال میل به سؤالات شما درباره محصولات و متعلقات پاسخ می دهند.

برای هرگونه سؤال و یا سفارش قطعات یدکی، حتماً شماره فنی 10 رقمی کالا را مطابق برچسب روی ابزار برقی اطلاع دهید.

### ایران

روبرت بوش ایران - شرکت بوش تجارت پارس  
میدان ونک، خیابان شهید خدای، خیابان آفتاب  
ساختمان مادیران، شماره 3، طبقه سوم.  
تهران 1994834571  
تلفن: 42039000 +9821

آدرس سایر دفاتر خدماتی را در ادامه بیابید:

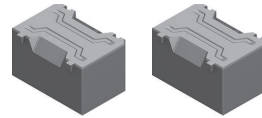
[www.bosch-pt.com/serviceaddresses](http://www.bosch-pt.com/serviceaddresses)



1 609 B07 930



1 609 B06 930



1 609 B07 675



**GTA 3800**  
0 601 B24 000



**GTA 2500 Compact**  
0 601 B12 400



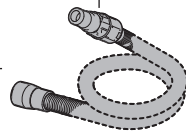
**GTA 2600**  
0 601 B12 300



**GTA 2500 W**  
0 601 B12 100



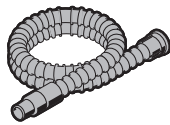
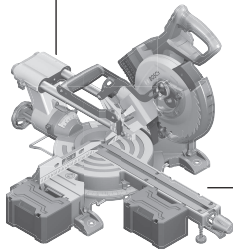
2 607 002 632



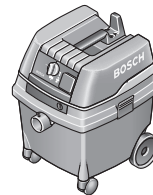
Ø 38 mm:  
1 600 A00 0JF (3 m)



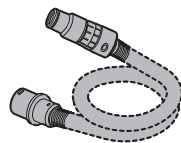
GAS 20 L SFC



Ø 35 mm:  
2 607 002 163 (3 m)  
2 607 002 164 (5 m)



GAS 50 L SFC  
GAS 25 L SFC



Ø 22 mm:  
2 608 000 572 (3 m)  
2 608 000 568 (5 m)  
Ø 35 mm:  
2 608 000 570 (3 m)  
2 608 000 566 (5 m)

Ø 22 mm:  
2 608 000 571 (3 m)  
2 608 000 567 (5 m)  
Ø 35 mm:  
2 608 000 569 (3 m)  
2 608 000 565 (5 m)

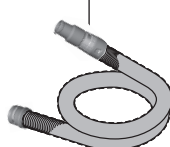


GAS 35 L SFC+  
GAS 35 L AFC  
GAS 35 M AFC



GAS 55 M AFC

2 608 000 585



Ø 35 mm:  
2 608 000 658 (1,6 m)



GAS 18V-10 L

## Licenses

### Copyright © 2011 Petteri Aimonen

This software is provided 'as-is', without any express or implied warranty. In no event will the authors be held liable for any damages arising from the use of this software.

Permission is granted to anyone to use this software for any purpose, including commercial applications, and to alter it and redistribute it freely, subject to the following restrictions:

1. The origin of this software must not be misrepresented; you must not claim that you wrote the original software. If you use this software in a product, an acknowledgment in the product documentation would be appreciated but is not required.
2. Altered source versions must be plainly marked as such, and must not be misrepresented as being the original software.
3. This notice may not be removed or altered from any source distribution.

### Copyright © 2010–2013 ARM LIMITED

All rights reserved.

Redistribution and use in source and binary forms, with or without modification, are permitted provided that the following conditions are met:

- Redistributions of source code must retain the above copyright notice, this list of conditions and the following disclaimer.
- Redistributions in binary form must reproduce the above copyright notice, this list of conditions and the following disclaimer in the documentation and/or other materials provided with the distribution.
- Neither the name of ARM nor the names of its contributors may be used to endorse or promote products derived from this software without specific prior written permission.

THIS SOFTWARE IS PROVIDED BY THE COPYRIGHT HOLDERS AND CONTRIBUTORS "AS IS" AND ANY EXPRESS OR IMPLIED WARRANTIES, INCLUDING, BUT NOT LIMITED TO, THE IMPLIED WARRANTIES OF MERCHANTABILITY AND FITNESS FOR A PARTICULAR PURPOSE ARE DISCLAIMED. IN NO EVENT SHALL THE COPYRIGHT HOLDERS AND CONTRIBUTORS BE LIABLE FOR ANY DIRECT, INDIRECT, INCIDENTAL, SPECIAL, EXEMPLARY, OR CONSEQUENTIAL DAMAGES (INCLUDING, BUT NOT LIMITED TO, PROCUREMENT OF SUBSTITUTE GOODS OR SERVICES; LOSS OF USE, DATA, OR PROFITS; OR BUSINESS INTERRUPTION) HOWEVER CAUSED AND ON ANY THEORY OF LIABILITY, WHETHER IN CONTRACT, STRICT LIABILITY, OR TORT (INCLUDING NEGLIGENCE OR OTHERWISE) ARISING IN ANY WAY OUT OF THE USE OF THIS SOFTWARE, EVEN IF ADVISED OF THE POSSIBILITY OF SUCH DAMAGE.

### Copyright © 2014 STMicroelectronics

Under STMicroelectronics' intellectual property rights, the redistribution, reproduction and use in source and binary forms of the software or any part thereof, with or without modification, are permitted provided that the following conditions are met:

1. Redistribution of source code (modified or not) must retain any copyright notice, this list of conditions and the disclaimer set forth below as items 10 and 11.
2. Redistributions in binary form, except as embedded into microcontroller or microprocessor device manufactured by or for STMicroelectronics or a software update for such device, must reproduce any copyright notice provided with the binary code, this list of conditions, and the disclaimer set forth below as items 10 and 11, in documentation and/or other materials provided with the distribution.
3. Neither the name of STMicroelectronics nor the names of other contributors to this software may be used to endorse or promote

products derived from this software or part thereof without specific written permission.

4. This software or any part thereof, including modifications and/or derivative works of this software, must be used and execute solely and exclusively on or in combination with a microcontroller or microprocessor device manufactured by or for STMicroelectronics.
5. No use, reproduction or redistribution of this software partially or totally may be done in any manner that would subject this software to any Open Source Terms. "Open Source Terms" shall mean any open source license which requires as part of distribution of software that the source code of such software is distributed therewith or otherwise made available, or open source license that substantially complies with the Open Source definition specified at [www.opensource.org](http://www.opensource.org) and any other comparable open source license such as for example GNU General Public License (GPL), Eclipse Public License (EPL), Apache Software License, BSD license or MIT license.
6. STMicroelectronics has no obligation to provide any maintenance, support or updates for the software.
7. The software is and will remain the exclusive property of STMicroelectronics and its licensors. The recipient will not take any action that jeopardizes STMicroelectronics and its licensors' proprietary rights or acquire any rights in the software, except the limited rights specified hereunder.
8. The recipient shall comply with all applicable laws and regulations affecting the use of the software or any part thereof including any applicable export control law or regulation.
9. Redistribution and use of this software or any part thereof other than as permitted under this license is void and will automatically terminate your rights under this license.
10. THIS SOFTWARE IS PROVIDED BY STMICROELECTRONICS AND CONTRIBUTORS "AS IS" AND ANY EXPRESS, IMPLIED OR STATUTORY WARRANTIES, INCLUDING, BUT NOT LIMITED TO, THE IMPLIED WARRANTIES OF MERCHANTABILITY, FITNESS FOR A PARTICULAR PURPOSE AND NON-INFRINGEMENT OF THIRD PARTY INTELLECTUAL PROPERTY RIGHTS, WHICH ARE DISCLAIMED TO THE FULLEST EXTENT PERMITTED BY LAW. IN NO EVENT SHALL STMICROELECTRONICS OR CONTRIBUTORS BE LIABLE FOR ANY DIRECT, INDIRECT, INCIDENTAL, SPECIAL, EXEMPLARY, OR CONSEQUENTIAL DAMAGES (INCLUDING, BUT NOT LIMITED TO, PROCUREMENT OF SUBSTITUTE GOODS OR SERVICES; LOSS OF USE, DATA, OR PROFITS; OR BUSINESS INTERRUPTION) HOWEVER CAUSED AND ON ANY THEORY OF LIABILITY, WHETHER IN CONTRACT, STRICT LIABILITY, OR TORT (INCLUDING NEGLIGENCE OR OTHERWISE) ARISING IN ANY WAY OUT OF THE USE OF THIS SOFTWARE, EVEN IF ADVISED OF THE POSSIBILITY OF SUCH DAMAGE.
11. EXCEPT AS EXPRESSLY PERMITTED HEREUNDER, NO LICENSE OR OTHER RIGHTS, WHETHER EXPRESS OR IMPLIED, ARE GRANTED UNDER ANY PATENT OR OTHER INTELLECTUAL PROPERTY RIGHTS OF STMICROELECTRONICS OR ANY THIRD PARTY.

### Apache 2.0 License

Copyright © 2009-2020 Arm Limited. All rights reserved.

Version 2.0, January 2004

<http://www.apache.org/licenses/>

TERMS AND CONDITIONS FOR USE, REPRODUCTION, AND DISTRIBUTION

#### 1. Definitions.

"License" shall mean the terms and conditions for use, reproduction, and distribution as defined by Sections 1 through 9 of this document.

"Licensor" shall mean the copyright owner or entity authorized by the copyright owner that is granting the License.

**"Legal Entity"** shall mean the union of the acting entity and all other entities that control, are controlled by, or are under common control with that entity. For the purposes of this definition, **"control"** means (i) the power, direct or indirect, to cause the direction or management of such entity, whether by contract or otherwise, or (ii) ownership of fifty percent (50%) or more of the outstanding shares, or (iii) beneficial ownership of such entity.

**"You"** (or **"Your"**) shall mean an individual or Legal Entity exercising permissions granted by this License.

**"Source"** form shall mean the preferred form for making modifications, including but not limited to software source code, documentation source, and configuration files.

**"Object"** form shall mean any form resulting from mechanical transformation or translation of a Source form, including but not limited to compiled object code, generated documentation, and conversions to other media types.

**"Work"** shall mean the work of authorship, whether in Source or Object form, made available under the License, as indicated by a copyright notice that is included in or attached to the work (an example is provided in the Appendix below).

**"Derivative Works"** shall mean any work, whether in Source or Object form, that is based on (or derived from) the Work and for which the editorial revisions, annotations, elaborations, or other modifications represent, as a whole, an original work of authorship. For the purposes of this License, Derivative Works shall not include works that remain separable from, or merely link (or bind by name) to the interfaces of, the Work and Derivative Works thereof.

**"Contribution"** shall mean any work of authorship, including the original version of the Work and any modifications or additions to that Work or Derivative Works thereof, that is intentionally submitted to Licensor for inclusion in the Work by the copyright owner or by an individual or Legal Entity authorized to submit on behalf of the copyright owner. For the purposes of this definition, **"submitted"** means any form of electronic, verbal, or written communication sent to the Licensor or its representatives, including but not limited to communication on electronic mailing lists, source code control systems, and issue tracking systems that are managed by, or on behalf of, the Licensor for the purpose of discussing and improving the Work, but excluding communication that is conspicuously marked or otherwise designated in writing by the copyright owner as **"Not a Contribution."**

**"Contributor"** shall mean Licensor and any individual or Legal Entity on behalf of whom a Contribution has been received by Licensor and subsequently incorporated within the Work.

**2. Grant of Copyright License.** Subject to the terms and conditions of this License, each Contributor hereby grants to You a perpetual, worldwide, non-exclusive, no-charge, royalty-free, irrevocable copyright license to reproduce, prepare Derivative Works of, publicly display, publicly perform, sublicense, and distribute the Work and such Derivative Works in Source or Object form.

**3. Grant of Patent License.** Subject to the terms and conditions of this License, each Contributor hereby grants to You a perpetual, worldwide, non-exclusive, no-charge, royalty-free, irrevocable (except as stated in this section) patent license to make, have made, use, offer to sell, sell, import, and otherwise transfer the Work, where such license applies only to those patent claims licensable by such Contributor that are necessarily infringed by their Contribution(s) alone or by combination of their Contribution(s) with the Work to which such Contribution(s) was submitted. If You institute patent litigation against any entity (including a cross-claim or counterclaim in a lawsuit) alleging that the Work or a Contribution incorporated within the Work constitutes direct or contributory patent infringement, then any patent licenses granted to You under this License for that Work shall terminate as of the date such litigation is filed.

**4. Redistribution.** You may reproduce and distribute copies of the Work or Derivative Works thereof in any medium, with or without modifications, and in Source or Object form, provided that You meet the following conditions:

- You must give any other recipients of the Work or Derivative Works a copy of this License; and
- You must cause any modified files to carry prominent notices stating that You changed the files; and
- You must retain, in the Source form of any Derivative Works that You distribute, all copyright, patent, trademark, and attribution notices from the Source form of the Work, excluding those notices that do not pertain to any part of the Derivative Works; and
- If the Work includes a **"NOTICE"** text file as part of its distribution, then any Derivative Works that You distribute must include a readable copy of the attribution notices contained within such NOTICE file, excluding those notices that do not pertain to any part of the Derivative Works, in at least one of the following places: within a NOTICE text file distributed as part of the Derivative Works; within the Source form or documentation, if provided along with the Derivative Works; or, within a display generated by the Derivative Works, if and wherever such third-party notices normally appear. The contents of the NOTICE file are for informational purposes only and do not modify the License.

You may add Your own attribution notices within Derivative Works that You distribute, alongside or as an addendum to the NOTICE text from the Work, provided that such additional attribution notices cannot be construed as modifying the License. You may add Your own copyright statement to Your modifications and may provide additional or different license terms and conditions for use, reproduction, or distribution of Your modifications, or for any such Derivative Works as a whole, provided Your use, reproduction, and distribution of the Work otherwise complies with the conditions stated in this License.

**5. Submission of Contributions.** Unless You explicitly state otherwise, any Contribution intentionally submitted for inclusion in the Work by You to the Licensor shall be under the terms and conditions of this License, without any additional terms or conditions. Notwithstanding the above, nothing herein shall supersede or modify the terms of any separate license agreement you may have executed with Licensor regarding such Contributions.

**6. Trademarks.** This License does not grant permission to use the trade names, trademarks, service marks, or product names of the Licensor, except as required for reasonable and customary use in describing the origin of the Work and reproducing the content of the NOTICE file.

**7. Disclaimer of Warranty.** Unless required by applicable law or agreed to in writing, Licensor provides the Work (and each Contributor provides its Contributions) on an "AS IS" BASIS, WITHOUT WARRANTIES OR CONDITIONS OF ANY KIND, either express or implied, including, without limitation, any warranties or conditions of TITLE, NON-INFRINGEMENT, MERCHANTABILITY, or FITNESS FOR A PARTICULAR PURPOSE. You are solely responsible for determining the appropriateness of using or redistributing the Work and assume any risks associated with Your exercise of permissions under this License.

**8. Limitation of Liability.** In no event and under no legal theory, whether in tort (including negligence), contract, or otherwise, unless required by applicable law (such as deliberate and grossly negligent acts) or agreed to in writing, shall any Contributor be liable to You for damages, including any direct, indirect, special, incidental, or consequential damages of any character arising as a result of this License or out of the use or inability to use the Work (including but not limited to damages for loss of goodwill, work stoppage, computer failure or malfunction, or any and all other commercial damages or losses), even if such Contributor has been advised of the possibility of such damages.

**9. Accepting Warranty or Additional Liability.** While redistributing the Work or Derivative Works thereof, You may choose to offer, and charge a fee for, acceptance of support, warranty, indemnity, or other liability obligations and/or rights consistent with this License. However, in accepting such obligations, You may act only on Your own behalf and on Your sole responsibility, not on behalf of any other Contributor, and only if You agree to indemnify, defend, and hold each Contributor harmless for any liability incurred by, or claims asserted against, such

## 174 | Licenses

Contributor by reason of your accepting any such warranty or additional liability.

END OF TERMS AND CONDITIONS